

BARRICADE

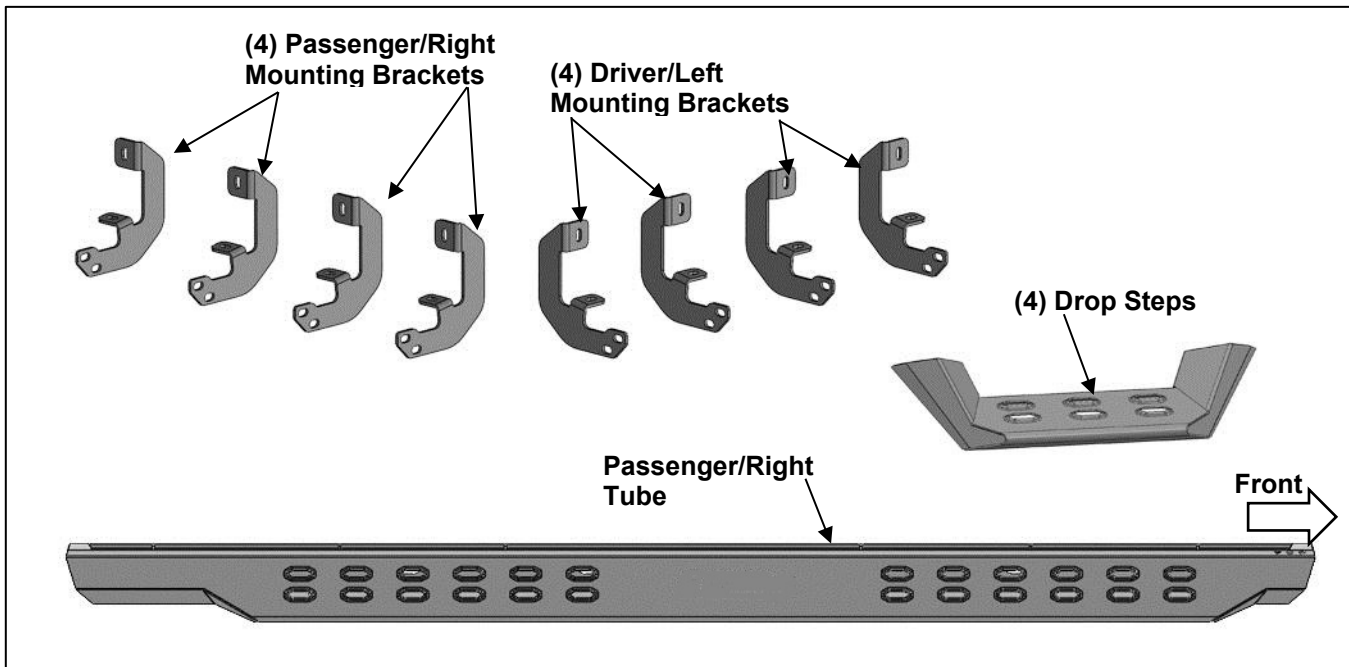
INSTALLATION INSTRUCTIONS HD OVERLAND DROP SIDE STEP BARS

**2019-2023 SILVERADO 1500/ 2019-22 SIERRA 1500 CREW CAB
(INCLUDES DIESEL MODELS W/DEF, 2022 SILVERADO 1500 LTD AND 2022
SIERRA 1500 LIMITED)**

**2020-2023 2500/3500 SILVERADO/SIERRA CREW CAB
(INCLUDES DIESEL MODELS W/DEF)**

PARTS LIST:

1	Driver/Left Tube	16	10mm Nylon Lock Nuts
1	Passenger/Right Tube	8	8mm x 25mm Triangle Double Bolt Plates
4	Drop Steps	16	8mm x 30mm Hex Bolts
4	Driver/Left Mounting Brackets	32	8mm x 22mm OD x 2mm Flat Washers
4	Passenger/Right Mounting Brackets	16	8mm Lock Washers
16	10mm x 30mm Hex Bolts	16	8mm Nylon Lock Nuts
32	10mm x 20mm OD x 2mm Flat Washers		

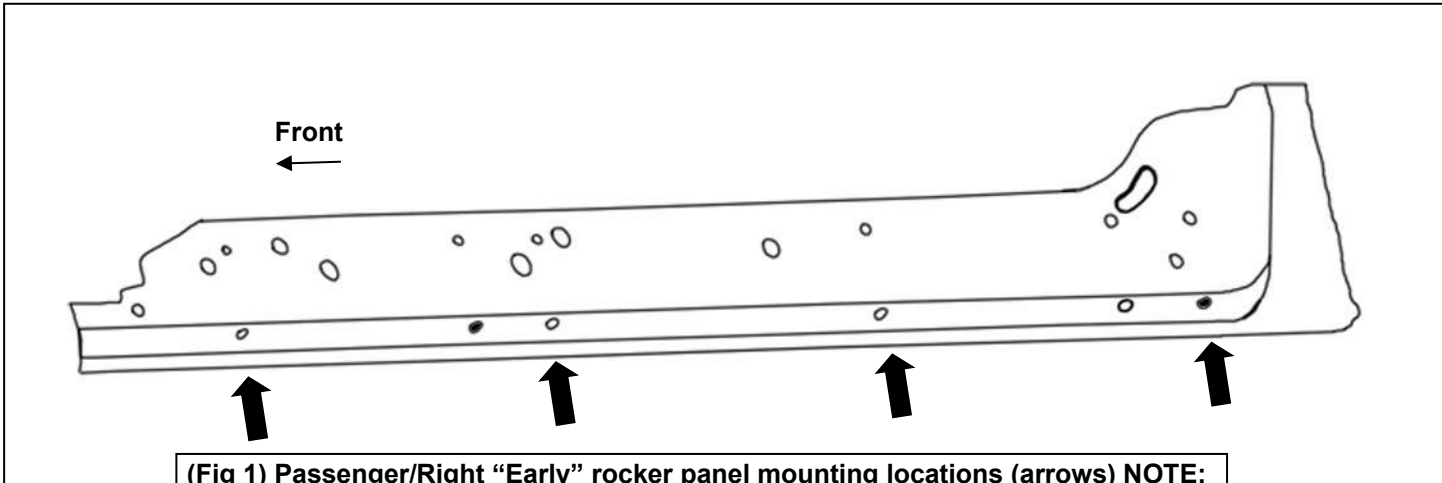


PROCEDURE: REMOVE CONTENTS FROM BOX. VERIFY ALL PARTS ARE PRESENT. READ INSTRUCTIONS CAREFULLY BEFORE STARTING INSTALLATION. ASSISTANCE IS RECOMMENDED.

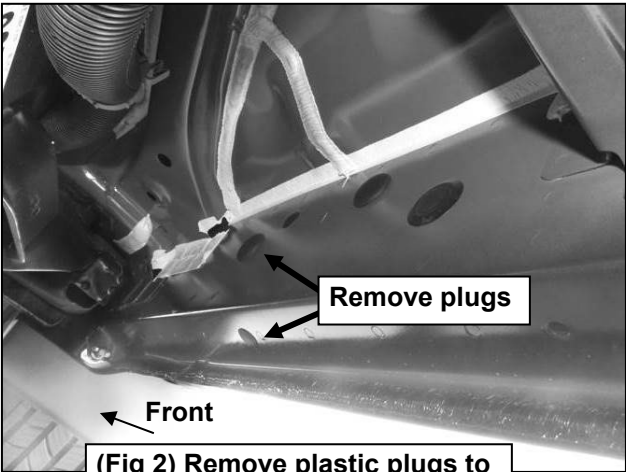
1. Start the installation under the Passenger/Right side of the vehicle.
 - a. For “**Early**” 2019 models, locate the 6 plugs along the bottom edge of the body. Mounting Brackets will bolt to the 1st, 3rd, 4th and 6th threaded mounting holes, (**Figure 1**).
 - b. For “**Late**” 2019 models, all (4) mounting locations will be used.
2. Remove the plastic plugs from the Passenger/Right front mounting location. Select (1) Mounting Bracket. Attach the Mounting Bracket to the factory threaded holes with (2) 8mm Hex Bolts, (2) 8mm Lock Washers and (2) 8mm Flat Washers, (**Figures 2 & 3**). Do not tighten hardware.
3. Repeat **Steps 1 & 2** to attach (3) Mounting Brackets to the (3) remaining locations along the rocker panel, (**Figures 4—7**). Do not tighten hardware.
4. Select the Passenger/Right Tube. Insert (2) 8mm Double Bolt Plates into the front (2) sets of (2) holes, (**Figure 8**). Attach (1) Drop Step to the (2) Double Bolt Plates with (4) 8mm x 22mm Flat Washers and (4) 8mm Nylon Lock Nuts, (**Figure 9**). Do not tighten hardware.
5. With assistance, line up the mounting tabs in the Passenger/Right Tube to the rear faces of the Mounting Brackets. Secure the Tube to the Mounting Brackets with (8) 10mm Hex Bolts, (16) 10mm x 20mm Flat Washers and (8) 10mm Nylon Lock Nuts, (**Figure 10**). Do not tighten hardware.
6. Level and adjust the Overland Step, then tighten all hardware.
7. Repeat **Steps 1—6** to attach the Driver/Left Overland Step.
8. Do periodic inspections to the installation to make sure that all hardware is secure and tight.

To protect your investment: Do not use any type of polish or wax that may contain abrasives that could damage the finish. Mild soap may be used also to clean the Overland Steps.

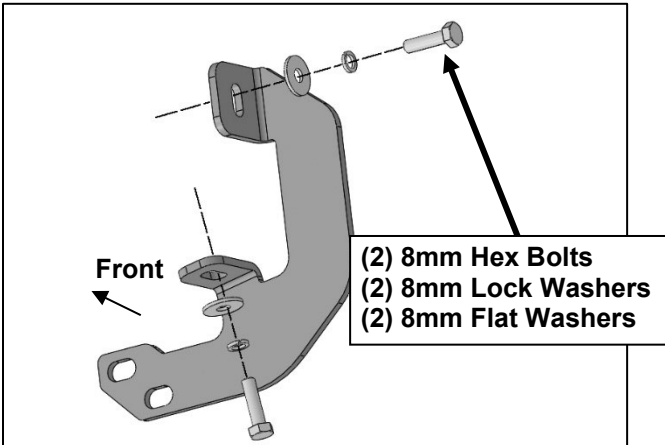
Passenger/Right Side Installation Pictured



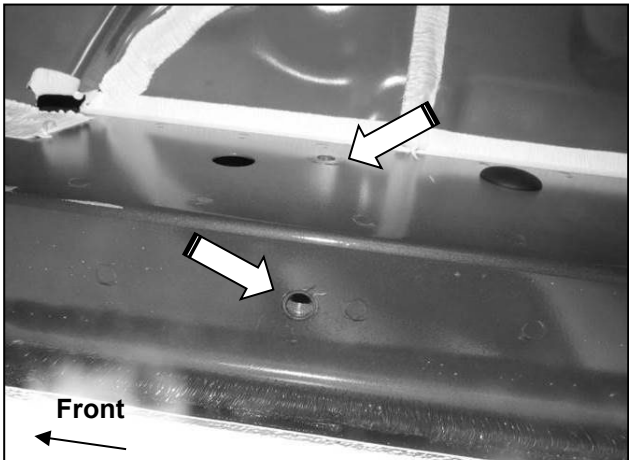
(Fig 1) Passenger/Right "Early" rocker panel mounting locations (arrows) NOTE: Hold Bracket up to body panel to help determine the correct mounting locations.



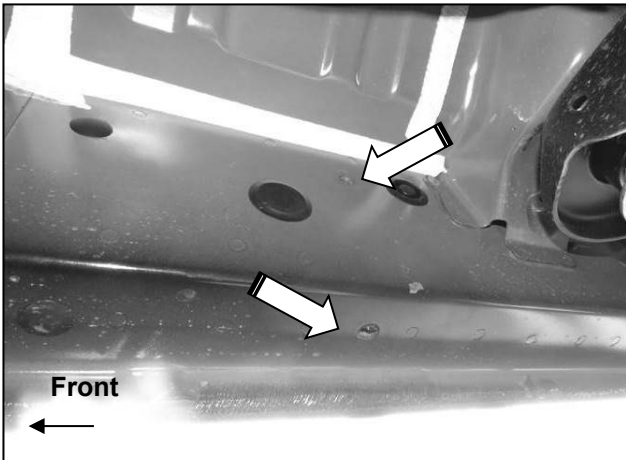
(Fig 2) Remove plastic plugs to uncover threaded inserts



(Fig 3) Attach (1) Passenger/Right Mounting Bracket to the mounting location

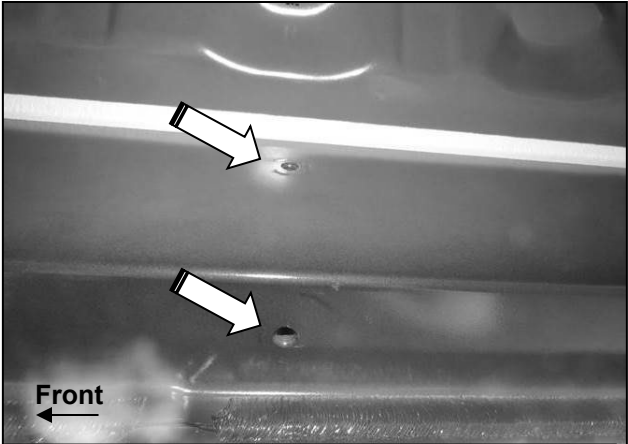


(Fig 4) Passenger/Right front mounting location

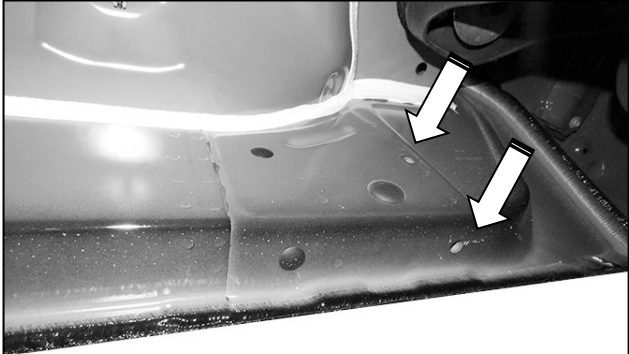


(Fig 5) Passenger/Right 2nd mounting location

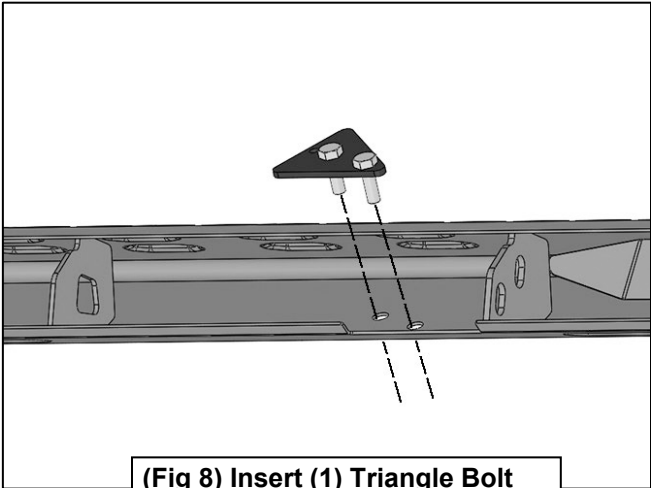
Passenger/Right Side Installation Pictured



(Fig 6) Passenger/Right 3rd mounting location

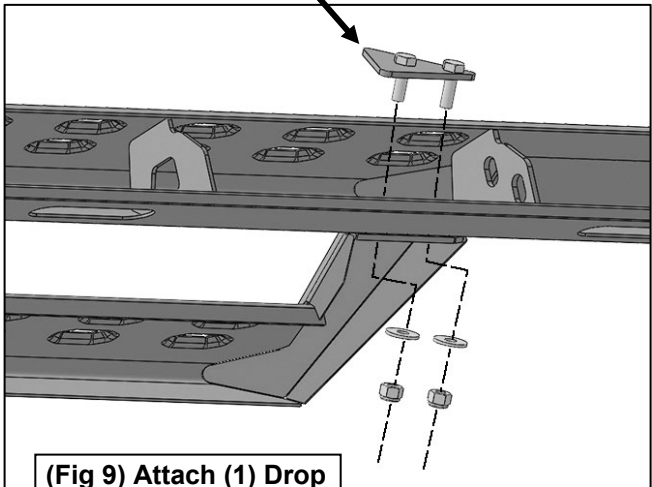


(Fig 7) Passenger/Right rear mounting location

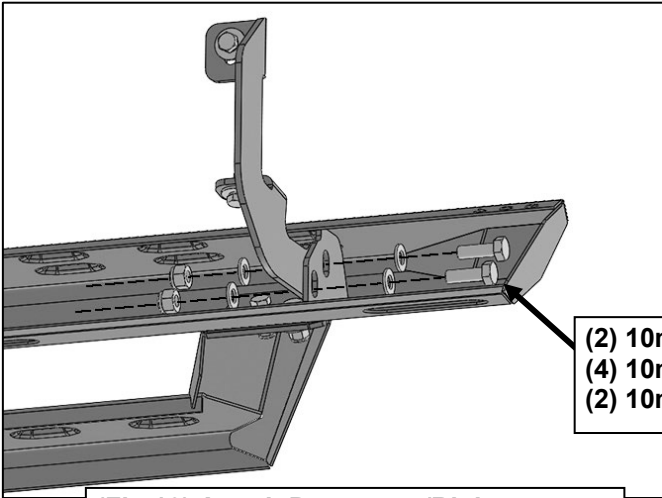


(Fig 8) Insert (1) Triangle Bolt Plate into the holes in the Tube

- 8mm Bolt Plate
- (2) 8mm Flat Washers
- (2) 8mm Nylon Lock Nuts



(Fig 9) Attach (1) Drop Step to (2) Bolt Plates



- (2) 10mm Hex Bolts
- (4) 10mm Flat Washers
- (2) 10mm Nylon Lock Nuts

(Fig 10) Attach Passenger/Right Overland Step to the Mounting Brackets