

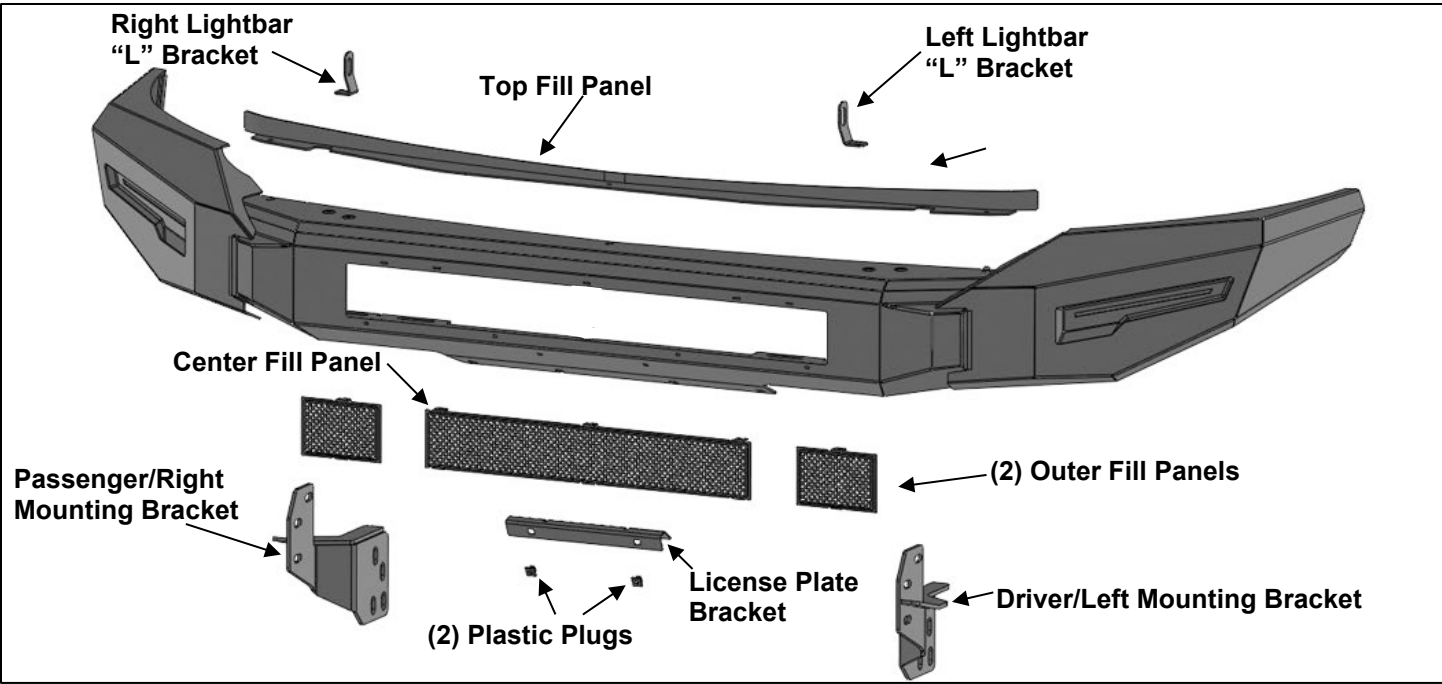
BARRICADE

INSTALLATION INSTRUCTIONS
EXTREME HD MODULAR FRONT BUMPER w/ SKID PLATE
2007-13 SILVERADO 1500
S154467



PARTS LIST:

1	Front Bumper	6	10mm Hex Nuts
1	Driver/left Frame Mounting Bracket	4	10mm x 20mm x 2mm Flat Washers
1	Passenger/right Frame Mounting Bracket	12	10mm x 27mm x 3mm Flat Washers
1	Driver/left "L" Bracket (center LED light)	10	10mm Lock Washers
1	Passenger/right "L" Bracket (center LED light)	6	8mm x 24mm x 2mm Flat Washers
2	Small Outer Mesh Plates	4	8mm Lock Washers
1	Long Center Mesh Plate	2	8-1.25mm x 16mm Hex Bolts
1	Bumper Top Fill Panel	2	8-1.25mm x 25mm Hex Bolts
1	License Plate Bracket	2	8mm Hex Nuts
2	Plastic Plugs for license plate mount	2	6-1.0mm x 20mm Button Head Bolts
1	LED Wiring Harness Kit	2	6mm Nylon Lock Nuts
2	12-1.75mm x 140mm Hex Bolts	4	6mm x 18mm x 1.6mm Flat Washers
2	12mm Hex Nuts	13	6-1.0mm x 20mm Combo Bolts
4	12mm x 32mm x 3mm Flat Washers	10	6mm Flange Nuts
2	12mm Lock Washers	1	4mm Allen Wrench
4	10-1.5mm x 30mm Hex Bolts	10	Nylon Wire Tie
6	10-1.5mm x 35mm Hex Bolts		



PROCEDURE:

REMOVE CONTENTS FROM BOX. VERIFY ALL PARTS ARE PRESENT. READ INSTRUCTIONS CAREFULLY BEFORE STARTING INSTALLATION. ASSISTANCE IS HIGHLY RECOMMENDED TO AVOID POSSIBLE INJURY OR DAMAGE TO THE VEHICLE.

1. Remove the license plate and bracket. On models with factory fog lights, unplug the wiring harness leading to the lights and move the harness away from the bumper, **(Figure 1)**.
2. From behind the bumper, remove the bolts attaching the bumper supports to the outer ends of the bumper.
3. Place blocks or jack stands under the front bumper to support it during mounting bolt removal. Once the bumper has been safely supported, remove the (4) large factory hex nuts, (two per side), attaching the bumper assembly to the end of the frame, **(Figure 2)**. **WARNING!** Assistance is required to hold the bumper in place during bolt removal to prevent the bumper from falling. Remove the factory double bolt

plates from the bumper brackets and carefully slide the bumper assembly with brackets off of the end of the frame and tow hooks, if equipped, **(Figure 3)**.

4. Temporarily remove both tow hooks, (if equipped), from the ends of the frame, **(Figure 3)**.
5. Carefully unwrap the Bumper assembly. Pull outward to unfold the passenger/right outer wing until fully extended, **(Figure 4)**. Anchor the Wing to the back of the Bumper with the included (2) 10mm x 30mm Hex Bolts, (2) 10mm Lock Washers and (2) 10mm Flat Washers, **(Figure 5)**. Leave hardware loose. Repeat this Step to unfold and attach the driver/left Wing to the Bumper. **IMPORTANT:** There is a small amount of adjustment in the Wings that can increase or decrease the final width of the Bumper. Loosen the (2) pivot bolts and the (2) anchor bolts and pull each Wing outward as far as possible to start. Snug hardware but do not fully tighten.
6. Next, select the Top Fill Panel. Attach the Fill Panel to the (3) slots along the top of the Bumper with (3) 6mm Button Head Combo Bolts, **(Figure 6)**. Tighten only the Top Fill Panel hardware.
7. Determine if accessory lights, (not included), or Mesh Panels will be installed. **IMPORTANT:** It may be easier to install Center Fill Panels and/or lights before installing Bumper.

Mesh Panel Installation (do not install fill panels if installing lights).

- a. Select desired Mesh Panels.
- b. Attach Screen Fill Panels as needed with the included 6mm Button Head Combo Bolts and 6mm Flange Nuts, **(Figures 7A & 7B)**. Fully tighten Fill Panel hardware. Repeat to install all Panels as desired.

Inner center LED bar style light installation (light not included).

- a. Select the Driver/Left L-Bracket.
 - b. Attach the L-Bracket to the slot on the back of the Bumper with (1) 8mm x 25mm Hex Bolt, (2) 8mm Flat Washers, (1) 8mm Lock Washer and (1) 8mm Hex Nut, **(Figure 8)**. Repeat this Step to install the Passenger/Right L-Bracket on the other side of the Bumper. **IMPORTANT:** The Bumper features slots designed for 20" and 30" bar style lights. Attach the Brackets to the correct slots in the Bumper. If necessary, hold the light up to the slots to help determine correct slots to use and combination of Brackets.
 - c. Attach the light to the L-Brackets with the hardware included with the light or the supplied (2) 8mm x 16mm Hex Bolts, (2) 8mm Lock Washers and (2) 8mm Flat Washers or (2) 6mm x 16mm Hex Bolts, (2) 6mm Lock Washers and (2) 6mm Flat Washers, **(Figures 8 & 9)**. Do not fully tighten hardware.
8. Select the Driver/Left Mounting Bracket. Attach the Mounting Bracket to the back of the Bumper with (3) 10mm Hex Bolts, (6) 10mm Flat Washers, (3) 10mm Lock Washers and (3) 10mm Hex Nuts, **(Figure 10)**. Do not tighten hardware. Repeat this **Step** to attach the Passenger/Right Mounting Bracket.
 9. With assistance, position the Bumper Assembly up to and over the end of the frame. Temporarily support the weight of the Bumper. **WARNING:** To avoid possible injury or damage to the vehicle, do not proceed until the Bumper is fully and safely supported.
 10. Line up the (2) upper holes in the driver side mounting plate on the back of the Bumper with the (2) slots in the frame. Reuse the factory double bolt plate and hex nuts to attach the Bumper to the frame, **(Figure 11)**. Do not fully tighten hardware at this time. Repeat this **Step** to attach the passenger side of the Bumper to the frame.

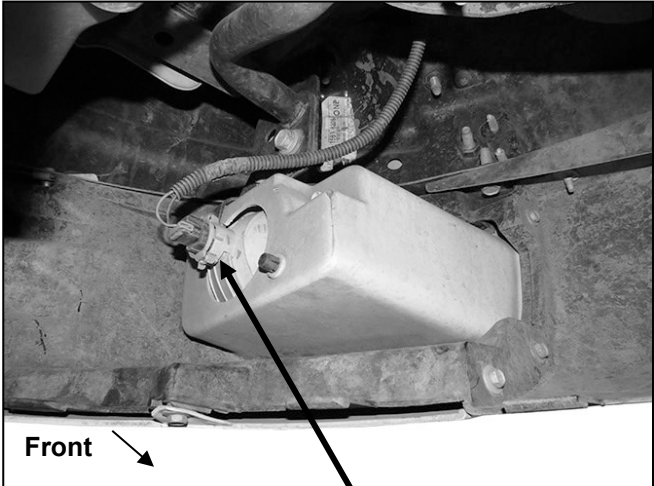
Models without tow hooks, skip to Step 11.

Models with tow hooks only:

- a. Insert the driver/left tow hook back into the frame. Attach the front of the tow hook with the included longer (1) 12mm x 140mm Hex Bolt, (2) 12mm Flat Washers, (1) 12mm Lock Washer and (1) 12mm Hex Nut, **(Figure 12)**. Repeat this Step to reinstall the passenger/right tow hook. **IMPORTANT:** On the passenger/right tow hook only, reuse the factory hex bolt to attach the rear mount on the tow hook. Do not fully tighten hardware at this time.
11. Level and adjust the bumper and fully tighten all hardware.
 12. If front license plate is required, attach the License Plate Bracket to the holes in the bumper with the included (2) 6mm Button Head Bolts, (4) 6mm Flat Washers and (2) 6mm Nylon Lock Nuts. Insert (2) Plastic Plugs into the square holes in the Bracket. Reuse the factory screws to attach the license plate to the plastic plugs, **(Figures 13 & 14)**.
 13. Do periodic inspections to the installation to make sure that all hardware is secure and tight.

To protect your investment, Do not use any type of polish or wax that may contain abrasives that could damage the finish. Mild soap may be used to clean the Front Bumper assembly.

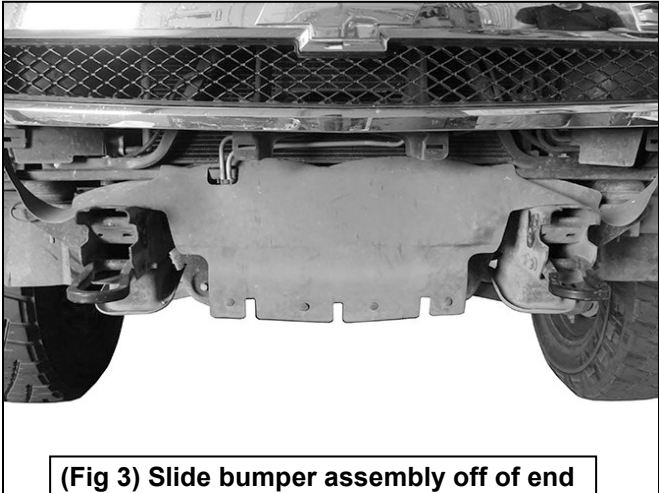
Driver Side Installation Pictured



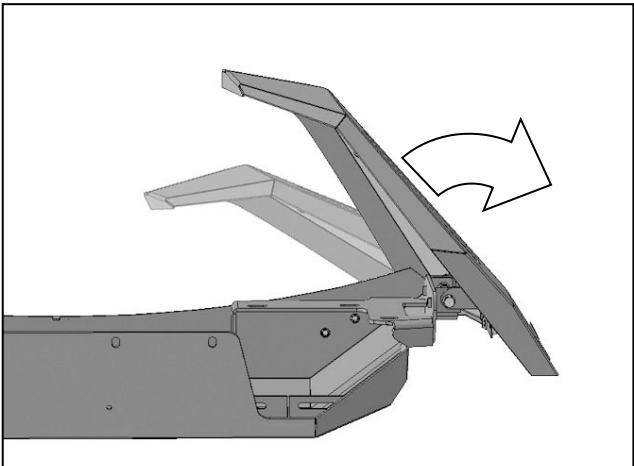
(Fig 1) Unplug fog lights and move wiring harness away from bumper before bumper removal



(Fig 2) From behind bumper, remove the hex nuts, (see arrow), and double bolt plates attaching the bumper bracket to the frame. Also temporarily remove the tow hooks if equipped, (Passenger/right side pictured)



(Fig 3) Slide bumper assembly off of end of frame. Remove tow hooks if equipped

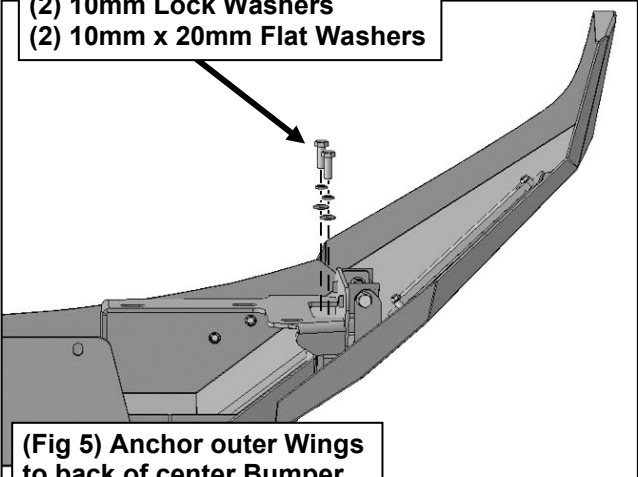


(Fig 4) Unfold outer Wings from center Bumper. Passenger/right side illustrated from below

**EXTREME HD FRONT BUMPER W/ SKID PLATE
2007-13 SILVERADO 1500**

Driver Side Installation Pictured

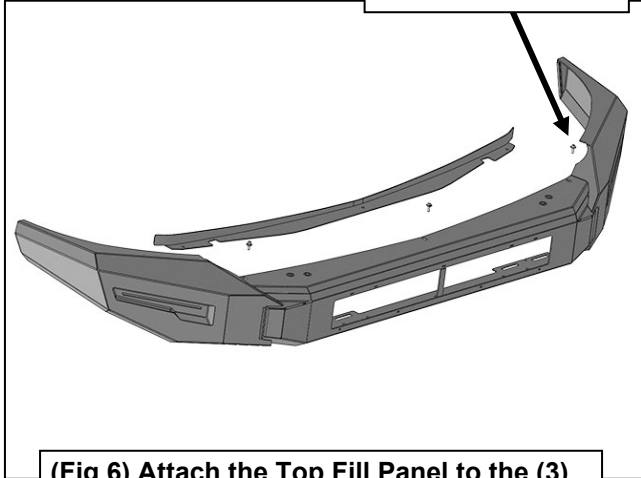
- (2) 10mm x 30mm Hex Bolts
- (2) 10mm Lock Washers
- (2) 10mm x 20mm Flat Washers



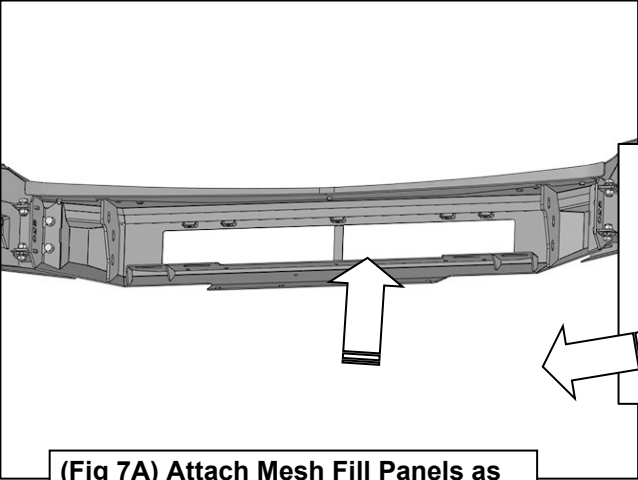
(Fig 5) Anchor outer Wings to back of center Bumper

WARNING! Do not crawl under bumper unless the bumper is properly supported on blocks or stands or the bumper may fall.

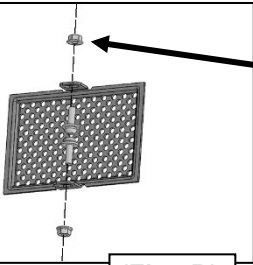
- (3) 6mm Button Head Combo Bolts



(Fig 6) Attach the Top Fill Panel to the (3) slots located along the top of the Bumper



(Fig 7A) Attach Mesh Fill Panels as desired to fill unused openings for lights (lights not included).

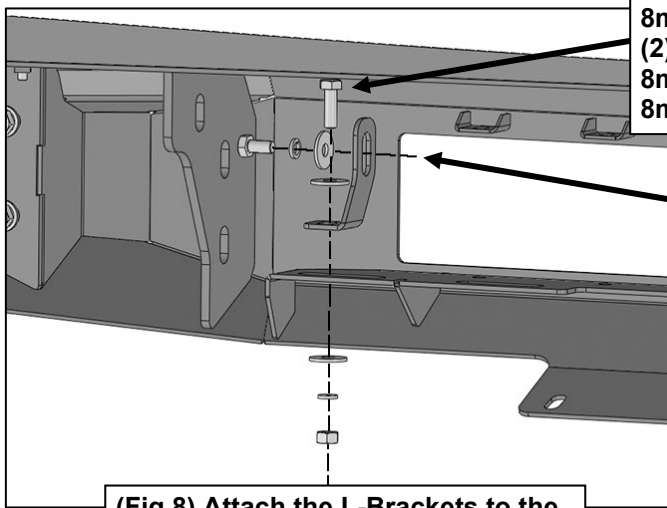


(Fig 7B)

- (2) 6mm Button Head Combo Bolts
- (2) 6mm Flange Hex Nuts

**EXTREME HD FRONT BUMPER W/ SKID PLATE
2007-13 SILVERADO 1500**

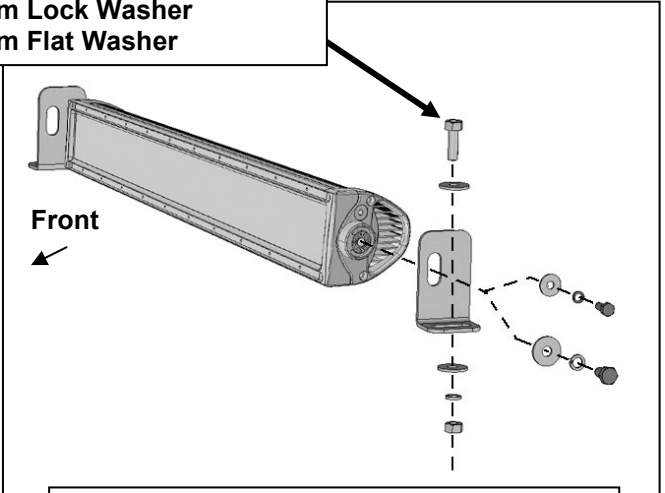
Driver Side Installation Pictured



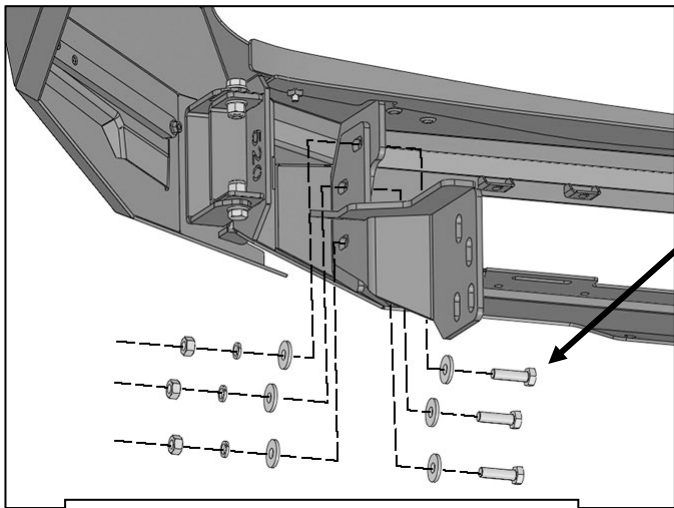
8mm x 25mm Hex Bolt
(2) 8mm Flat Washers
8mm Lock Washer
8mm Hex Nut

6mm x 16mm Hex Bolt
6mm Lock Washer
6mm Flat Washer
Or
8mm x 16mm Hex Bolt
8mm Lock Washer
8mm Flat Washer

(Fig 8) Attach the L-Brackets to the back of the Bumper. Note multiple slots for different widths of lights

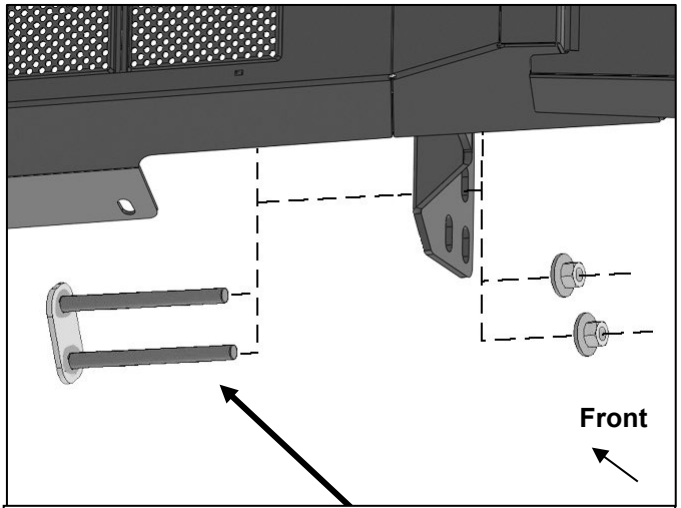


(Fig 9) Bracket illustration is a suggestion only. Brackets are offset to allow adjustment for all widths of lights



(3) 10mm Hex Bolts
(6) 10mm Flat Washers
(3) 10mm Lock Washers
(3) 10mm Hex Nuts

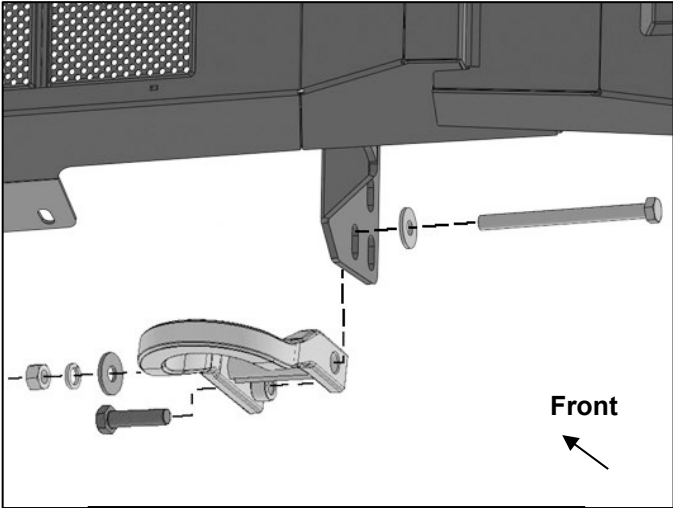
(Fig 10) Attach the Mounting Brackets to the back of the Bumper



(Fig 11) Reuse factory double bolt plate to attach Bumper to end of Frame. Driver/left side illustrated

**EXTREME HD FRONT BUMPER W/ SKID PLATE
2007-13 SILVERADO 1500**

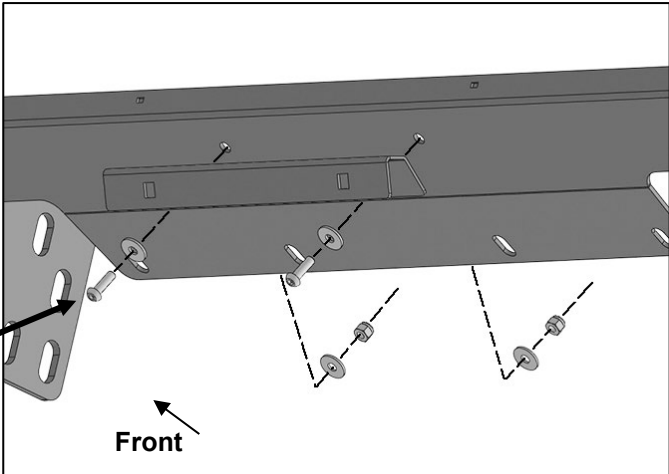
Driver Side Installation Picture



(Fig 12) Reuse short factory hex bolt to attach rear of tow hook to frame.

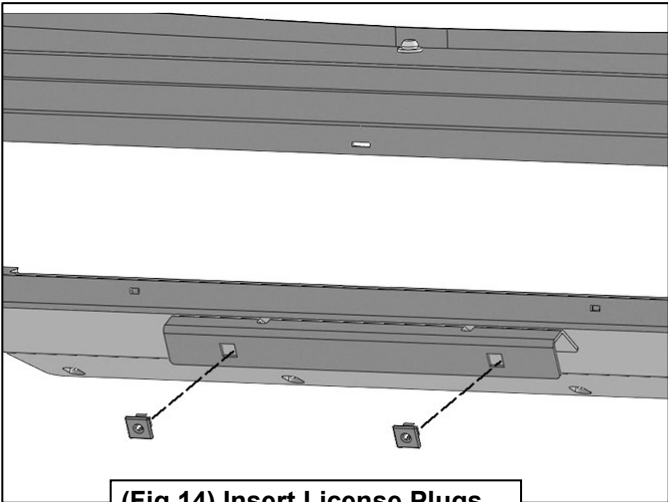
WARNING! Do not crawl under bumper unless the bumper is properly supported on blocks or stands or the bumper may fall.

- 12mm x 140mm Hex Bolt
- (2) 12mm Flat Washers
- 12mm Lock Washer
- 12mm Hex Nut

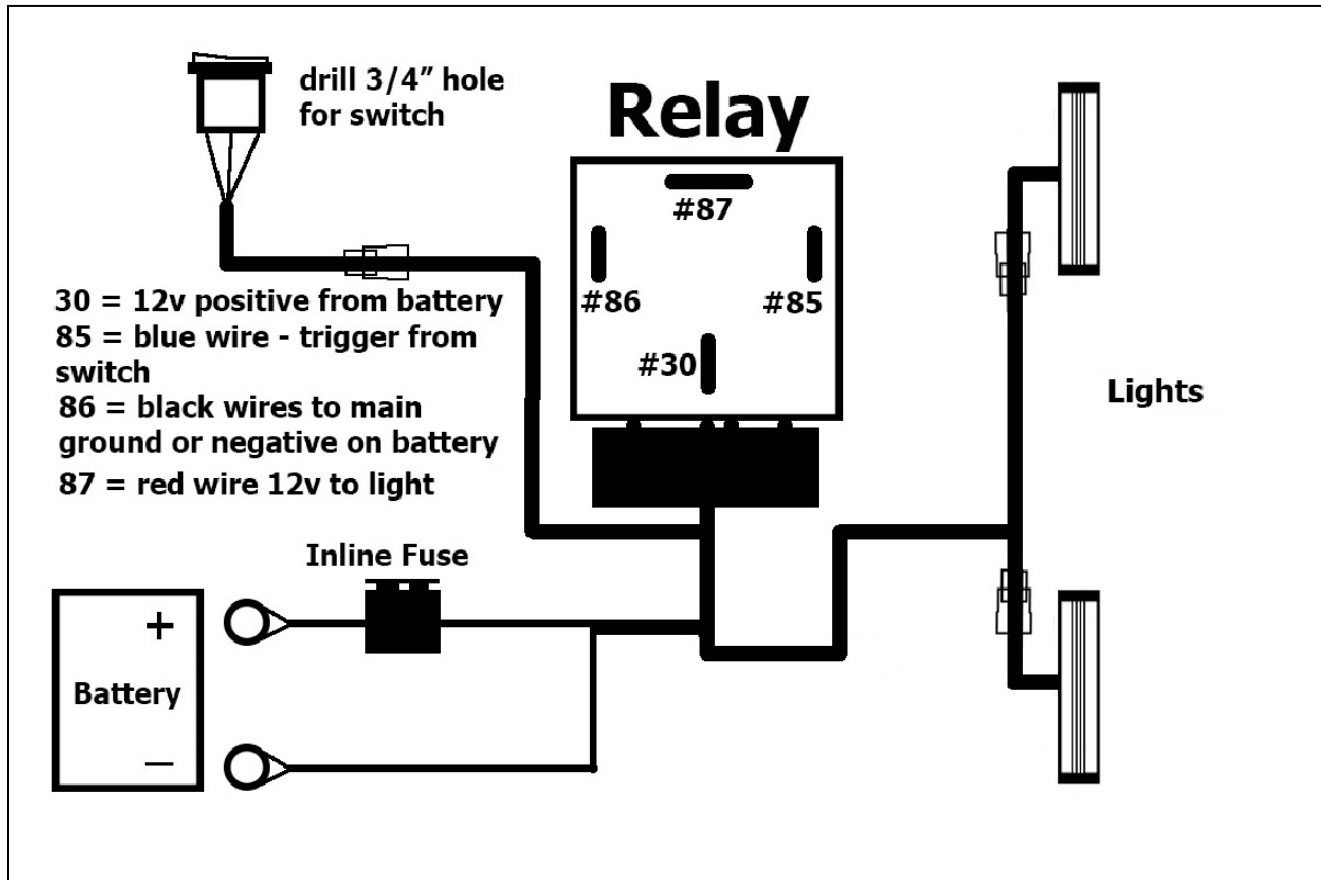


- (2) 6mm Button Head Bolts
- (4) 6mm Flat Washers
- (2) 6mm Nylon Lock Nuts

(Fig 13) Attach License Plate Bracket to Bumper



(Fig 14) Insert License Plugs into the License Plate Bracket

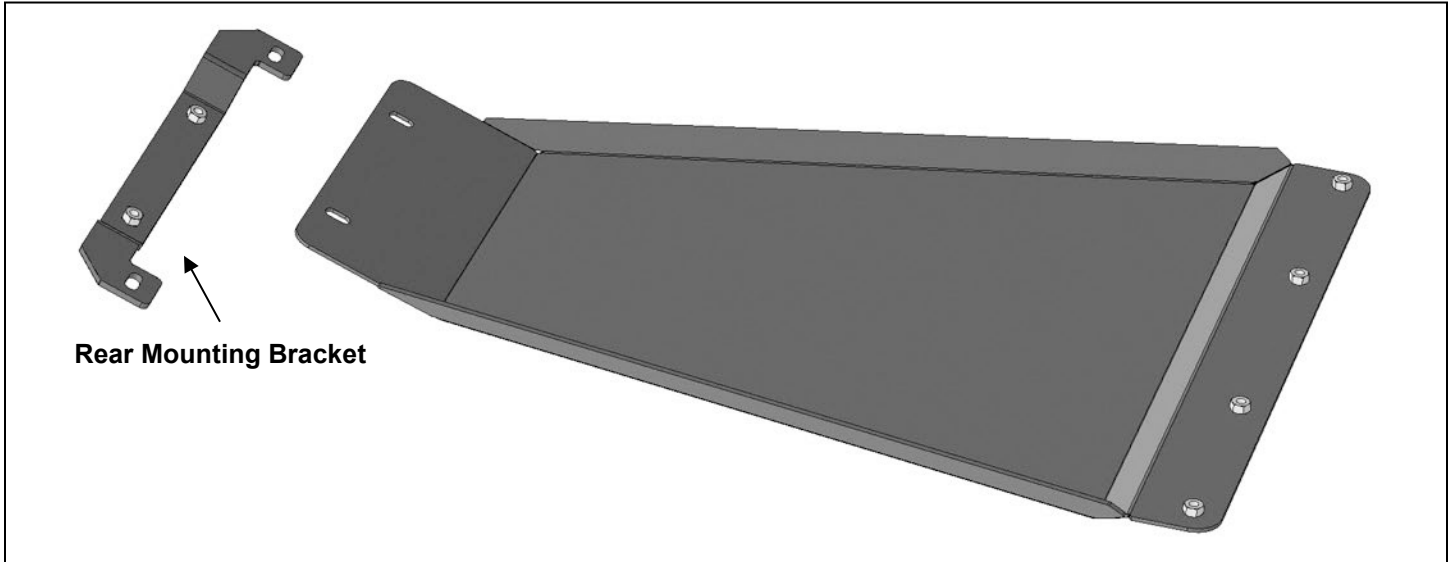


GENERAL LIGHT WIRING PROCEDURE:

1. REMOVE CONTENTS FROM BOX. VERIFY ALL PARTS ARE PRESENT. READ INSTRUCTIONS CAREFULLY. DRILLING IS REQUIRED. ELECTRICAL KNOWLEDGE IS HIGHLY RECOMMENDED.
2. Open hood and disconnect battery.
3. Unwrap preassembled wiring harness. Disconnect the plug in the harness leading to the lighted switch. Locate suitable mounting location for switch. Drill 3/4" hole in panel to mount switch. **IMPORTANT:** Do not drill any holes in panel until back of location is properly checked for clearance. Use of safety goggles is required.
4. Run switch harness through firewall on vehicle. Drill hole through firewall as required for harness plug. Highly recommend use of rubber grommet (not included) to protect harness. Feed switch harness plug through hole in firewall. Seal firewall with silicone as necessary.
5. Attach Relay and main harness to suitable location near battery (firewall or inner fender for example). Do not connect to battery at this time.
6. Attach switch plug to switch harness and tie harness away from anything that could damage harness.
7. Run the prewired light harness down to each light. Plug harness into prewired plug on each light. Tie wiring harness away from anything that could damage harness.
8. Attach the fused red positive and black negative wires on the main harness to the battery. **NOTE:** Attach black negative wire to negative terminal on battery or suitable chassis ground.
9. Reattach battery cables to battery. Installation is complete.
10. Do periodic inspections to the installation to make sure that all hardware is secure and tight and all wiring harnesses are properly secured and free from excessive movement.

PARTS LIST: S154473

1	Front Skid Plate	6	8mm x 24mm x 2mm Flat Washers
1	Rear Mounting Bracket	6	8mm Lock Washer
6	8mm x 25mm Button Head Bolts	1	5mm Wrench

**PROCEDURE:**

REMOVE CONTENTS FROM BOX. VERIFY ALL PARTS ARE PRESENT. READ INSTRUCTIONS CAREFULLY BEFORE STARTING INSTALLATION. ASSISTANCE IS RECOMMENDED.

CUTTING MAY BE REQUIRED.

1. Remove the (2) lower mounting bolts attaching the factory splash guard to the bottom of the crossmember, **(Figure 1)**. **NOTE:** Do not remove splash guard.
2. Select the Rear Mounting Bracket. Reuse the (2) factory hex bolts to attach the Bracket to the bottom of the crossmember. **NOTE:** Install Bracket over the splash guard. Insert the 10mm Bolt Plate into the hole in the center of the cross member, **(Figure 3)**.
3. Carefully unwrap the Skid Plate. With assistance, line up the front of the Skid Plate with the back of the Bumper. Attach the Skid Plate to the Bumper with the included (4) 8mm Button Head Bolts, (4) 8mm Lock Washers and (4) 8mm Flat Washers, **(Figure 2)**. Leave hardware loose at this time.
4. Attach the narrow tail end of the Skid Plate to the previously installed Bracket with the included (2) 8mm Button Head Bolts, (2) 8mm Lock Washers and (2) 8mm Flat Washers, **(Figure 3)**. Leave loose at this time.
5. Level and adjust the Skid Plate and fully tighten all hardware.
6. Do periodic inspections to the installation to make sure that all hardware is secure and tight.

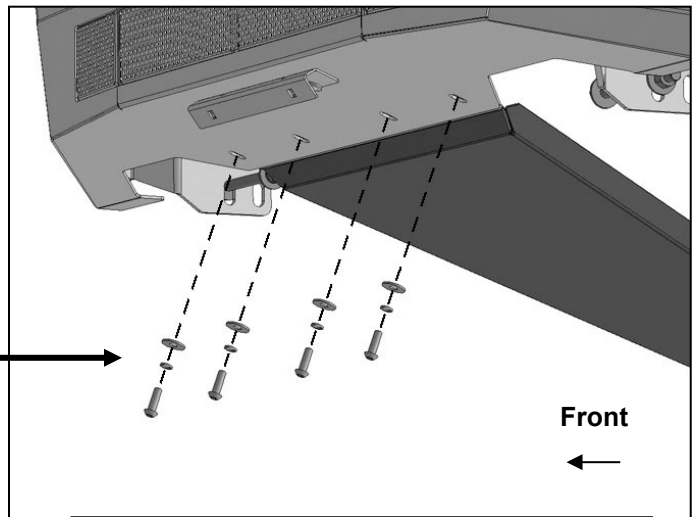
To protect your investment, Do not use any type of polish or wax that may contain abrasives that could damage the finish. Mild soap may be used to clean the Skid Plate.

**EXTREME HD FRONT BUMPER W/ SKID PLATE
2007-13 SILVERADO 1500**

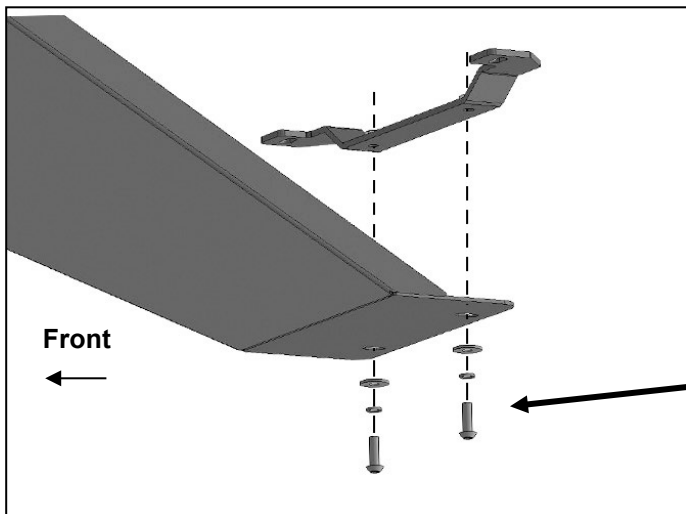


(Fig 1) Temporarily remove (2) factory bolts attaching splash guard to crossmember (arrows)

- (4) 8mm Button Head Bolts**
- (4) 8mm Lock Washers**
- (4) 8mm Flat Washers**



(Fig 2) Attach Skid Plate to back of Bumper



(Fig 3) Reuse (2) factory hex bolts to attach Rear Mounting Bracket to bottom of crossmember. Attach the Skid Plate to the Mounting Bracket

- (2) 8mm Button Head Bolts**
- (2) 8mm Lock Washers**
- (2) 8mm Flat Washers**