



INSTALLATION INSTRUCTIONS

EXTREME HD FRONT BUMPER

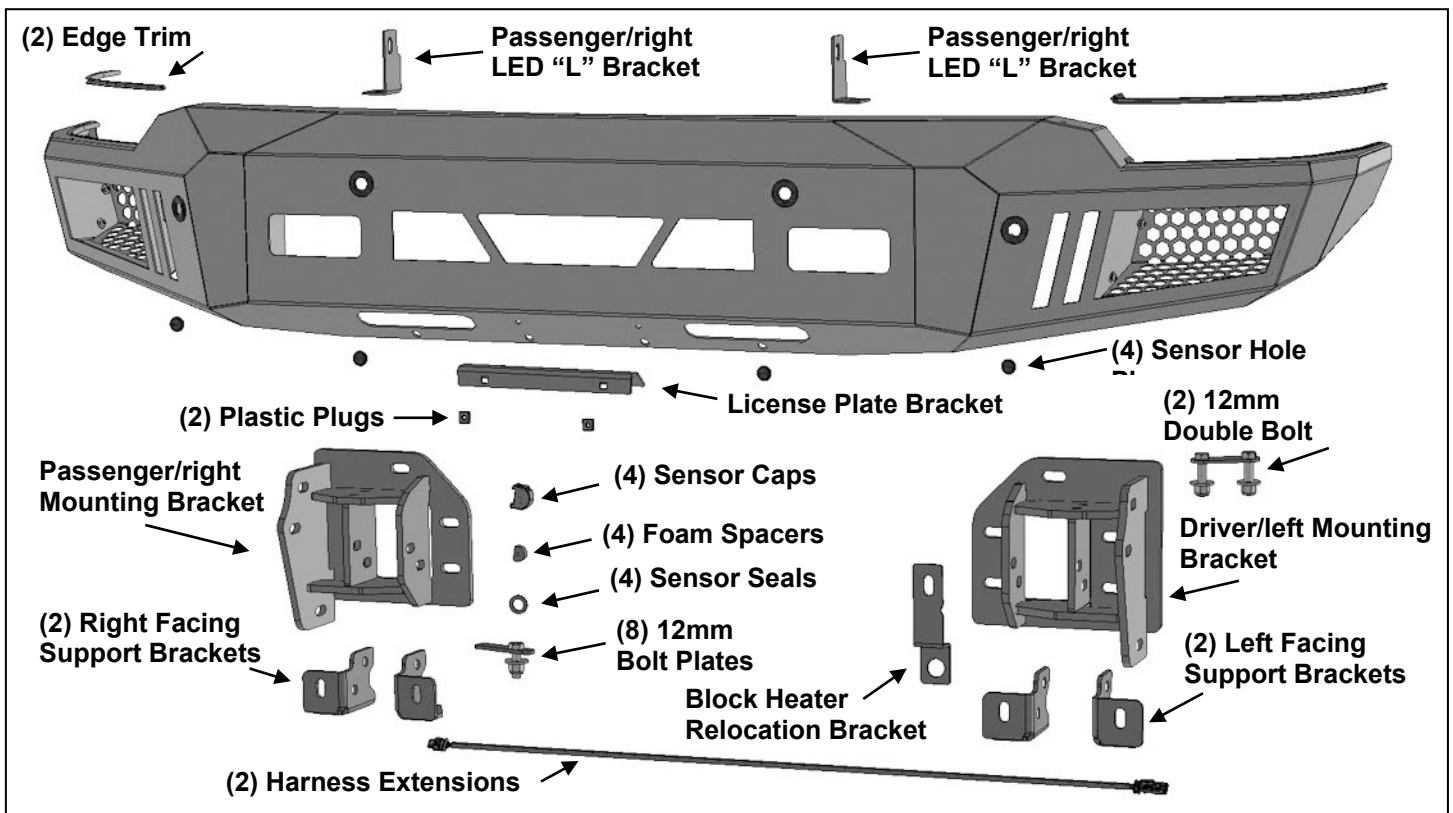
2022-23 SILVERADO 1500 (INCLUDES DIESEL)

EXCLUDES 2022 LIMITED, ZR2

SKU # S165547 / S165548

PARTS LIST:

1	HD Front Bumper Assembly	2	12-1.75mm Double Bolt Plates
1	Driver/left Mounting Bracket Assembly	8	12-1.75mm Bolt Plates
1	Passenger/right Mounting Bracket Assembly	2	12-1.75mm x 120mm Hex Bolts
2	Left Facing Support Brackets	6	12-1.75mm x 45mm Hex Bolts
2	Right Facing Support Brackets	28	12mm x 32mm x 3mm Flat Washers
1	Driver/left LED "L" Light Bracket	20	12mm Nylon Lock Nuts
1	Passenger/right LED "L" Light Bracket	2	8-1.25mm x 25mm Hex Bolts
1	Engine Block Heater Relocation Bracket	2	8-1.25mm x 16mm Hex Bolts
1	License Plate Bracket	6	8mm x 24mm x 2mm Flat Washers
2	Plastic Plugs for License Plate	4	8mm Lock Washers
2	Edge Trims	2	8mm Hex Nuts
4	15.5mm x 25mm x 2mm Foam Seals	2	6mm x 20mm Button Head Bolts
4	20mm x 10mm Foam Spacers	4	6mm x 18mm x 1.6mm Flat Washers
4	Sensor Retaining Caps	2	6mm Nylon Lock Nuts
4	Plastic Sensor Plugs	8	4mm Self Tapping Screws
2	Sensor Harness Extensions	1	4mm Wrench
1	Sensor Cover Kit		



PROCEDURE:

REMOVE CONTENTS FROM BOX. VERIFY ALL PARTS ARE PRESENT. READ INSTRUCTIONS CAREFULLY BEFORE STARTING INSTALLATION. ASSISTANCE IS HIGHLY RECOMMENDED TO AVOID POSSIBLE INJURY OR DAMAGE TO THE VEHICLE. DRILLING MAY BE REQUIRED.

1. Start installation at the driver/left wheel opening. Remove the screws/clips attaching the inner fender liner to the end of the bumper and fascia body panel, (Figures 1 & 2). Open the hood and remove the bolts attaching the front end of the front fender to the end of the fascia, (Figure 3). Repeat this Step to

release the passenger/right end of the fascia panel. Pull the ends of the fascia out from below the headlights and from across the front of the vehicle, **(Figure 4)**.

2. Temporarily remove the hood release handle and plastic cover from the top of the grille and radiator, **(Figure 5)**. Reattach the hood release handle. Models with grille mounted camera, unplug camera if equipped. Next, remove the hardware attaching the grille to the radiator core support and along the bottom, **(Figure 6)**. Once all hardware has been removed, firmly pull the grille straight out from the vehicle to release the grille from the clips. Place grille on a clean, soft surface.
3. Remove the license plate and bracket. On models with factory fog lights and/or bumper sensors, unplug the wiring harness leading to the bumper. Unplug the harness leading to the block heater plug in the bumper if equipped. **NOTE:** Main wiring harness connector is located up and behind the passenger/right side of the bumper. Release clips attaching passenger/right fender liner to access plug for harness. Move harness away from bumper.
4. From behind the driver/left side of the bumper, remove the outer bumper support connected to the side of the frame and the outer end of the bumper, **(Figure 7)**.
5. Locate and remove the hex bolts attaching the bottom of the bumper to the bumper bracket attached to the end of the frame, **(Figure 8)**.
6. Repeat **Steps 4 & 5** to remove the passenger/right bumper support and lower bumper hardware.
7. Move back to the top of the bumper. Remove the cover from the top of the bumper, **(Figure 9)**. Locate the hex bolts attaching the top of the bumper bracket to the frame, **(Figure 10)**.
8. Place blocks or jack stands under the front bumper to support it during mounting bolt removal. Once the bumper has been safely supported, remove the bumper bolts attaching the bumper assembly to the top of the bumper bracket, **(Figure 10)**. **WARNING!** Assistance is required to hold the bumper in place during bolt removal to prevent the bumper from falling. Carefully slide the bumper assembly with brackets off of the ends of the frame.
9. Remove both bumper brackets and tow hooks, if equipped, **(Figures 11 & 12)**.
10. **IMPORTANT: Models equipped with intercooler, (Diesel and Gas Turbo Charged models), refer to instructions for installation of shutter relocation kit available separately.**
11. Select (1) Left Facing and (1) Right Facing Support Bracket, **(Figure 13)**. Starting on the driver/left side, attach the Right Facing Support Bracket to the inner facing side of the frame with (2) 12mm Bolt Plates, (2) 12mm Flat Washers and (2) 12mm Nylon Lock Nuts. Next, attach (1) Left Facing Support Bracket to the outer facing side of the frame with (2) 12mm Bolt Plates, (2) 12mm Flat Washers and (2) 12mm Nylon Lock Nuts, **(Figures 13 & 14)**. Do not tighten hardware at this time.
12. Select the driver/left Frame Mounting Bracket, **(Figure 15)**. Reuse the (3) factory bumper bolts to attach the top mounting holes on the Mounting Bracket to the threaded bumper mount. Attach the (2) lower holes in the Mounting Bracket to the (2) Support Brackets with (2) 12mm x 45mm Hex Bolts, (4) 12mm Flat Washers and (2) 12mm Nylon Lock Nuts, **(Figure 15 & 16)**. Snug but do not fully tighten hardware.
13. Repeat **Steps 11 & 12** to install the passenger/right Support Brackets and Frame Bracket.
14. Select (1) tow hook if equipped. Reuse the short factory bolt and the included longer (1) 12mm x 120mm Hex Bolt, (2) 12mm Flat Washers and (1) 12mm Nylon Lock Nut to attach the tow hook to the driver/left Frame Bracket, **(Figures 17 & 18)**. Repeat this **Step** to attach the passenger/right tow hook. Fully tighten tow hook hardware only at this time.
15. Carefully unwrap the HD Bumper assembly. Temporarily attach the Bumper to the Brackets. Align the Bumper to the vehicle. Adjust Bracket locations and fully tighten Bracket to frame hardware. Remove Bumper. Reinstall the plastic grille, plug in the camera if equipped and reinstall top cover removed in **Step 1**. Reinstall the plastic fascia body panel, **(Figure 19)**. Reattach the fender liners and fender flares.
16. Push the included Edge Trim onto the top edge of both ends of the Bumper, **(Figure 20)**. **NOTE:** Cut Edge Trim to fit.
17. Determine if the vehicle is equipped with front bumper sensors. **NOTE:** Sensors and/or bumper wiring harness must be installed in Bumper before installing Bumper Assembly.

Models without bumper sensors:

- a. From the front of the bumper, push the included Plugs into the sensor mount holes, **(Figure 21)**.

Models with bumper mounted sensors:

- a. Remove the sensors and wiring harness from the factory bumper.
- b. Remove the factory sealing washer from the sensor. Attach the provided Foam Sealing Washer to the front of the sensor, **(Figure 22)**.
- c. Push the sensor in from the back of the Bumper until it is flush with the outer Bumper. Place (1) Foam Spacer over the end of the sensor. Push the Retaining Cap onto the sensor mount and snap into place, **(Figure 23)**.
- d. Repeat the previous **Steps** for the remaining sensors.
- e. Attach factory wiring harness to Bumper. **NOTE:** Use the (2) included Wire Harnesses to extend the factory harness to the sensors as needed.

18. Center LED light installation as supplied with bumper or sold separately.

- a. Select the L/R “L” Brackets, **(Figure 24)**. Attach the Brackets to the top of the (2) mounting tabs welded onto the back of the bumper with the included 8mm x 25mm Hex Bolts, (4) 8mm Flat Washers, (2) 8mm Lock Washers and (2) 8mm Hex Nuts. Leave loose at this time.
- b. Attach the LED light assembly to the “L” Brackets with the included (2) 8mm x 16mm Hex Bolts, (2) 8mm Lock Washers and (2) 8mm Flat Washers. Do not fully tighten hardware at this time. **IMPORTANT:** “L” Brackets are designed for 8mm light mounting hardware only. Modify “L” Brackets if necessary or use brackets supplied by your light manufacturer to install hardware larger than 8mm.
- c. Follow light manufacturer’s instructions to properly wire the light.

19. LED light installation at ends of bumper as supplied with bumper or sold separately.

- a. Insert light into opening and up to mounting slot. Check for clearance between front and back of light. If necessary, remove screen from back of opening, **(Figure 25)**.
- b. Follow the light manufacturer’s instructions to attach (1) light to the slot in the top of the light opening, **(Figure 25)**.
- c. Repeat the above **Steps** to install the remaining light.
- d. Follow light manufacturer’s instructions to properly wire light once bumper has been installed.

20. With assistance, position the Bumper Assembly up to the frame and over the tow hooks. Temporarily support the weight of the Bumper. **WARNING:** To avoid possible injury or damage to the vehicle, do not proceed until the Bumper is fully and safely supported.

21. Line up the driver/left side mounting plate on the back of the Bumper with the (3) slots in the Mounting Bracket. Attach the top (2) holes in the Bumper to the top of the Bracket with the included 12mm Double Bolt Plate, (2) 12mm Flat Washers and (2) 12mm Nylon Lock Nuts, **(Figures 26 & 27)**. Attach the bottom of the Mounting Plate to the bottom hole in the Bracket with the included (1) 12mm x 45mm Hex Bolt, (2) 12mm Flat Washers and (1) 12mm Nylon Lock Nut. Repeat this **Step** to attach the passenger/right side of the Bumper to the Bracket.

22. Level and adjust the Bumper and fully tighten all hardware.

23. Models with Block Heater:

- a. Remove the bottom right Flat Washer and Nylon Lock Nut attaching the driver/left Mounting Bracket to the Support Bracket, **(Figure 28)**.
- b. Slide the Relocation Bracket over the exposed Hex Bolt. Reuse the Flat Washer and Nylon Lock Nut to attach the Relocation Bracket to the front of the Mounting Bracket, **(Figures 27 & 28)**.
- c. Unplug Block Heater Plug from harness. Snap Block Heater Plug into the Relocation Bracket.
- d. Line up plug for accessibility and fully tighten hardware. Plug Block Heater into harness.

24. On vehicles requiring front license plate, attach the License Plate Bracket to the holes in the Bumper with the included (2) 6mm x 20mm Button Head Bolts, (4) 6mm Flat Washers and (2) 6mm Nylon Lock Nuts, **(Figure 29)**. Insert (2) Plastic Plugs into the square holes in the Bracket. Reuse the factory screws to attach the license plate to the plastic plugs.

25. Do periodic inspections of the installation to make sure that all hardware is secure and tight.

To protect your investment: Do not use any type of polish or wax that may contain abrasives that could damage the finish. Mild soap may be used to clean the Front Bumper assembly.

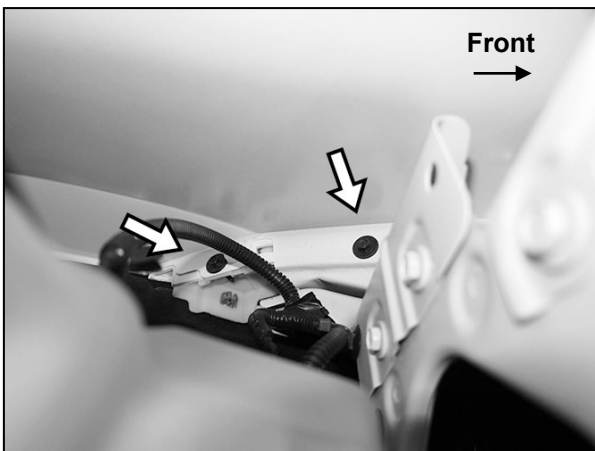
Driver/left Side Installation Pictured



(Fig 1) Remove screws attaching driver/left fender liner to fascia body panel



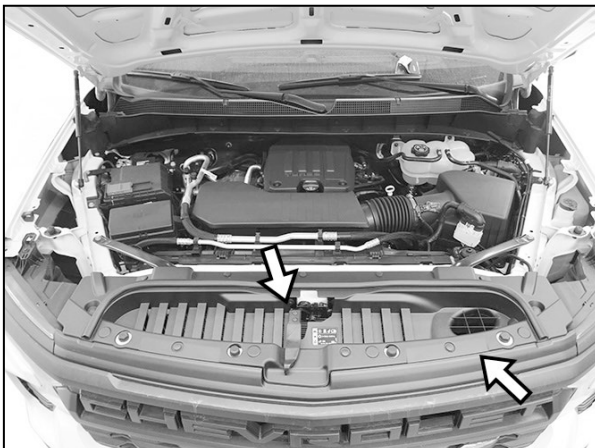
(Fig 2) Remove screws attaching driver/left fender liner to end of bumper



(Fig 3) Remove screws behind headlight attaching driver/left front end of fender to fascia body panel (arrows)



(Fig 4) Remove fascia body panel

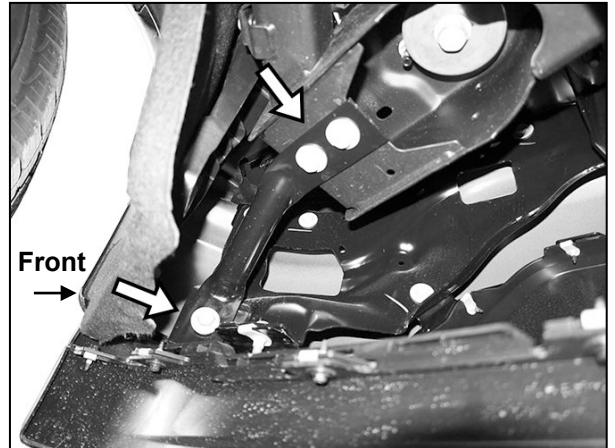


(Fig 5) Remove hood release handle and plastic cover. Reattach hood release handle

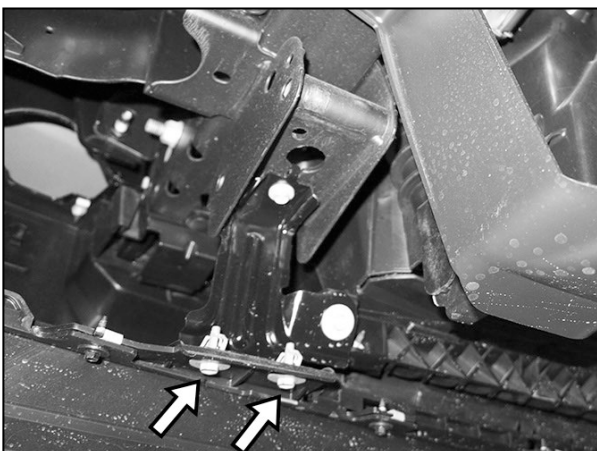
Driver/left Side Installation Pictured



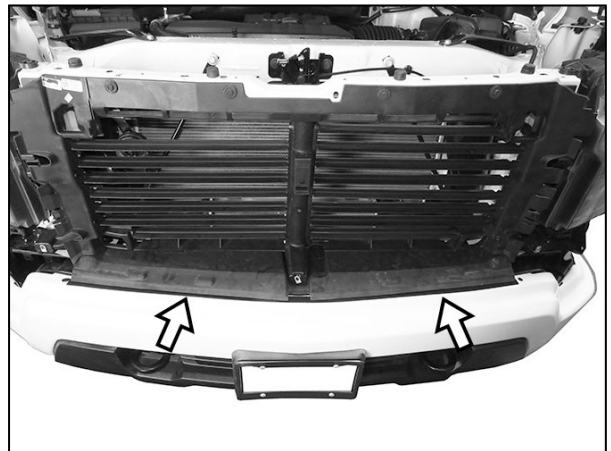
(Fig 6) Remove hardware attaching grille. Firmly pull grille straight out from vehicle



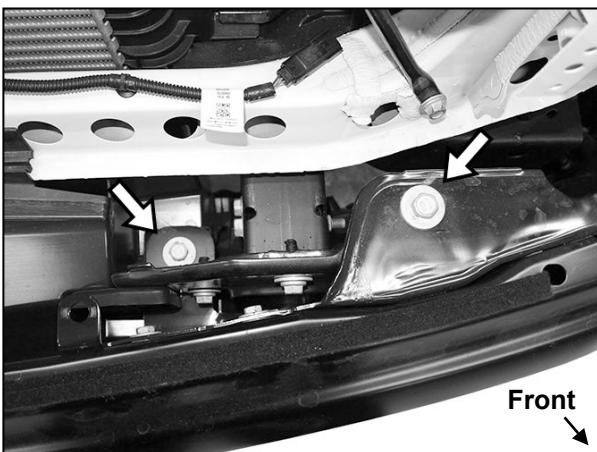
(Fig 7) Remove outer bumper supports (arrows)



(Fig 8) Remove bolts attaching bottom of bumper to brackets (arrows).

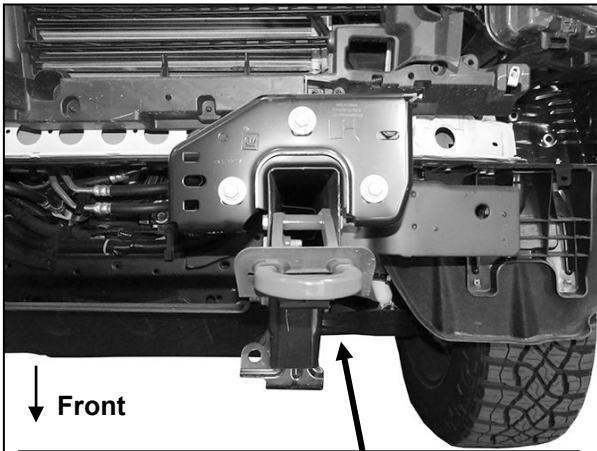


(Fig 9) Remove cover from top of bumper (arrows)



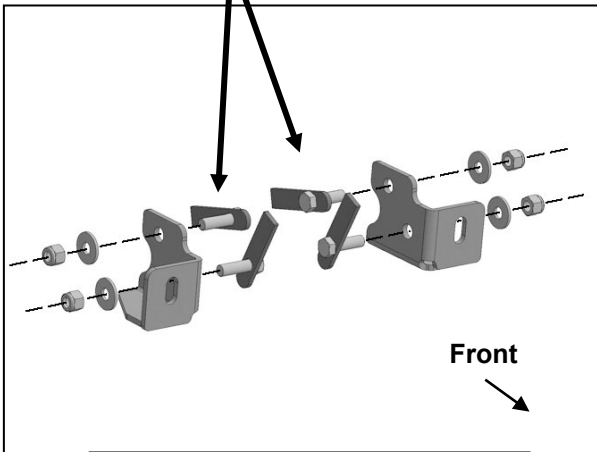
(Fig 10) Remove driver/left top bumper bolts (arrows)

Driver/left Side Installation Pictured

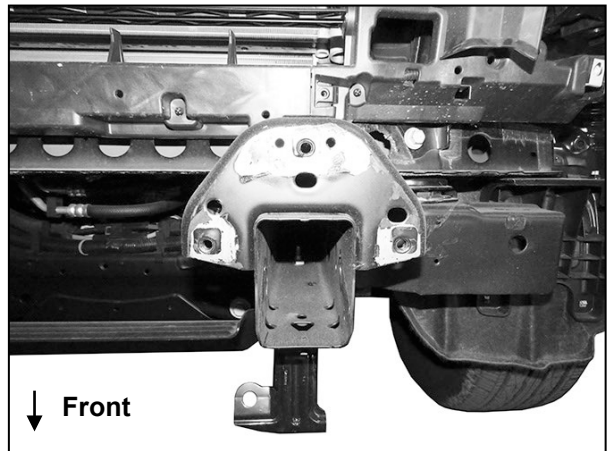


(Fig 11) Remove factory bumper brackets and tow hooks from end of frame (driver/left side pictured)

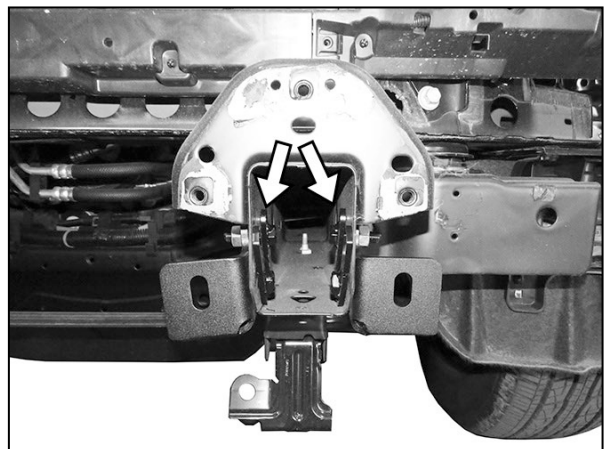
- (4) 12mm Bolt Plates
- (4) 12mm Flat Washers
- (4) 12mm Nylon Lock Nuts



(Fig 13) Attach Support Brackets to outside of frame



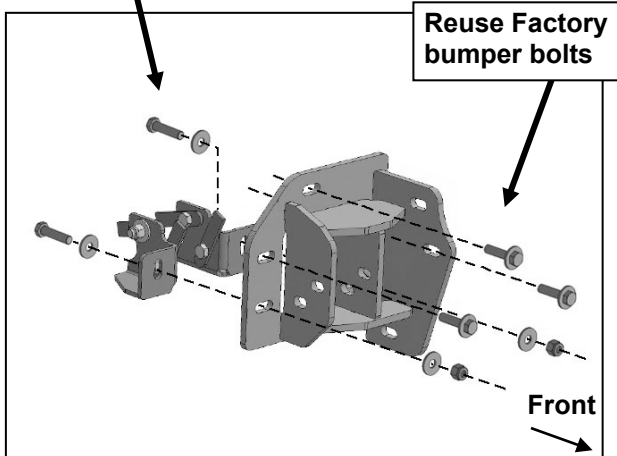
(Fig 12) Factory bumper Brackets removed



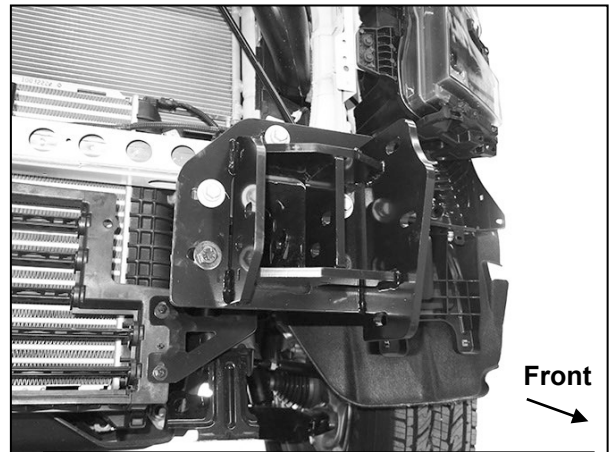
(Fig 14) Support Brackets installed

Driver/left Side Installation Pictured

- (2) 12mm x 45mm Hex Bolts
- (4) 12mm Flat Washers
- (2) 12mm Nylon Lock Nuts

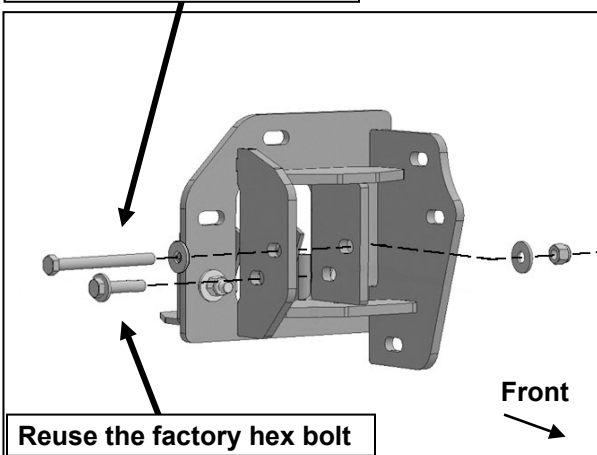


(Fig 15) Reuse factory bumper bolts to attach top of Frame Bracket to bumper mount on frame. Diver/left Bracket illustrated

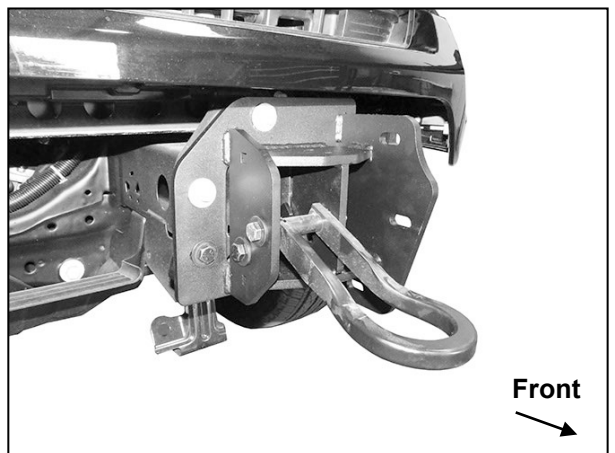


(Fig 16) Diver/left Frame Bracket attached to frame and Support Brackets

- 12mm x 120mm Hex Bolt
- (2) 12mm Flat Washers
- 12mm Nylon Lock Nut

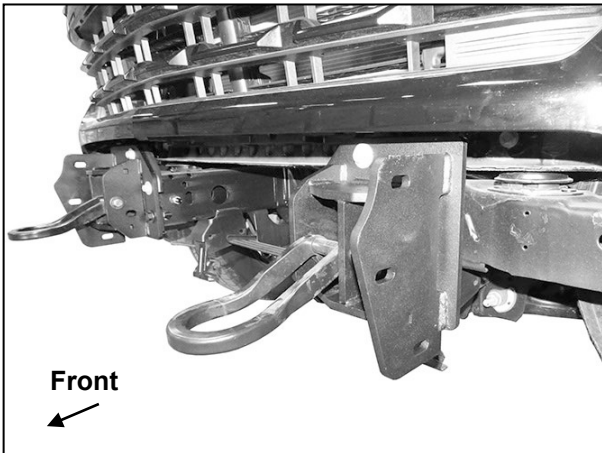


(Fig 17) Attach factory tow hook to Bracket

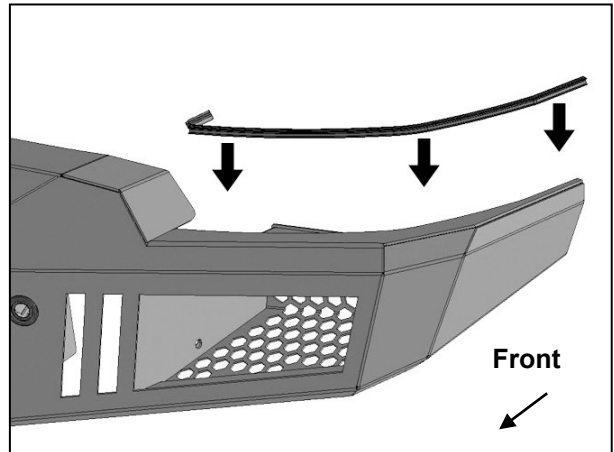


(Fig 18) Attach factory tow hook to Bracket

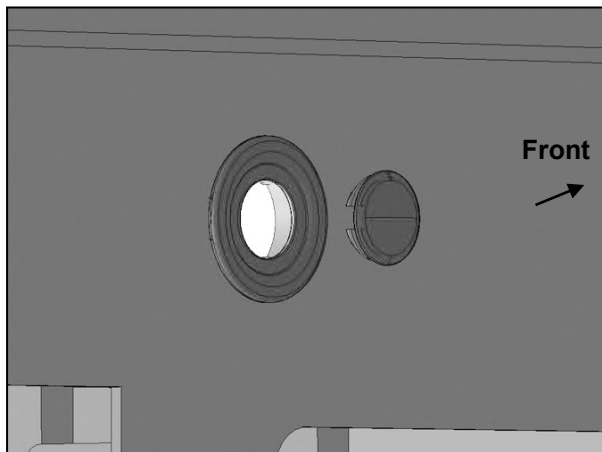
Driver/left Side Installation Pictured



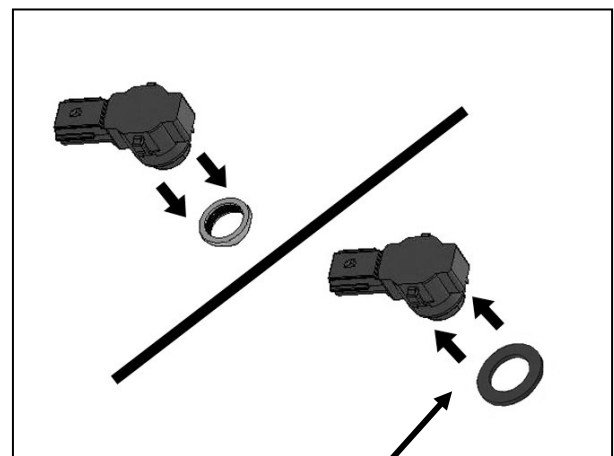
(Fig 19) Test fit Bumper to vehicle and adjust Mounting Bracket locations. Fully tighten Bracket to frame hardware. Reinstall fascia body panel, grille and cover. Reattach inner fender liners



(Fig 20) Push Edge Trim onto top of Bumper

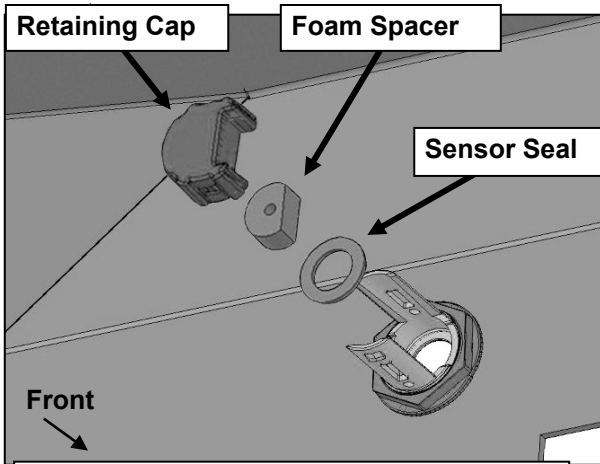


(Fig 21) Models without front sensors, push sensor plugs into mounts



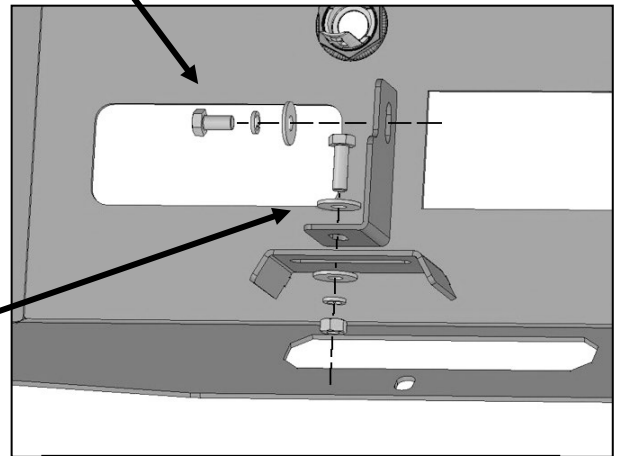
(Fig 22) Remove silicone seal from sensor. Slide large Seal over end of sensor (arrow)

Driver/left Side Installation Pictured



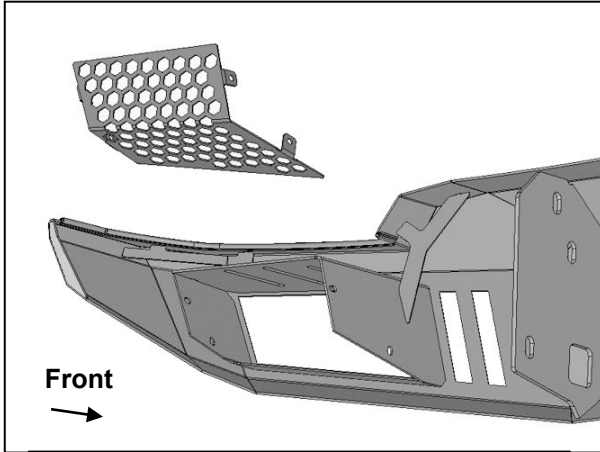
(Fig 23) Insert sensor assembly through the sensor mount on back of Bumper

- (2) 8mm x 16mm Hex Bolts
- (2) 8mm Lock Washers
- (2) 8mm Flat Washers



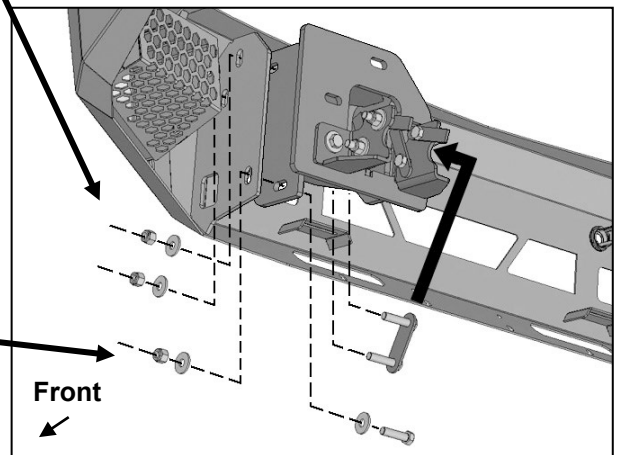
(Fig 24) Typical center light installation

- (2) 8mm x 25mm Hex Bolts
- (4) 8mm Flat Washers
- (2) 8mm Lock Washers
- (2) 8mm Hex Nuts



(Fig 25) Remove screens if necessary for clearance/access to outer light mounts

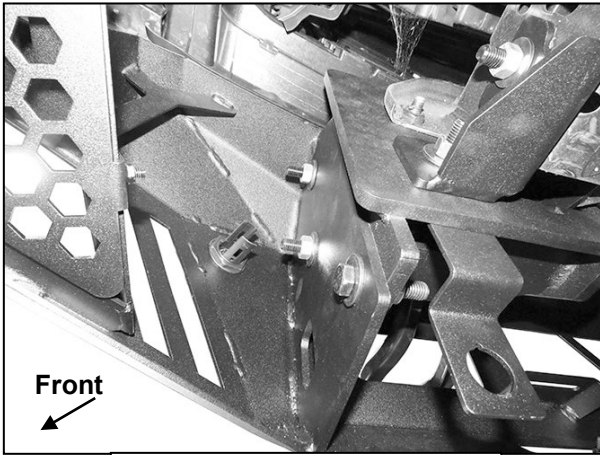
- 12mm Double Bolt Plate
- (2) 12mm Flat Washers
- (2) 12mm Nylon Lock Nuts



(Fig 26) Attach the Bumper to Frame Bracket

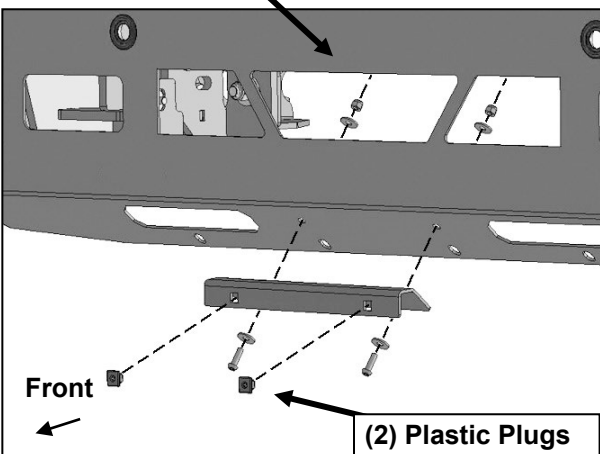
- 12mm x 45mm Hex Bolt
- (2) 12mm Flat Washers
- 12mm Nylon Lock Nut

WARNING! Do not crawl under bumper unless it is properly supported on blocks or stands or the bumper may fall.

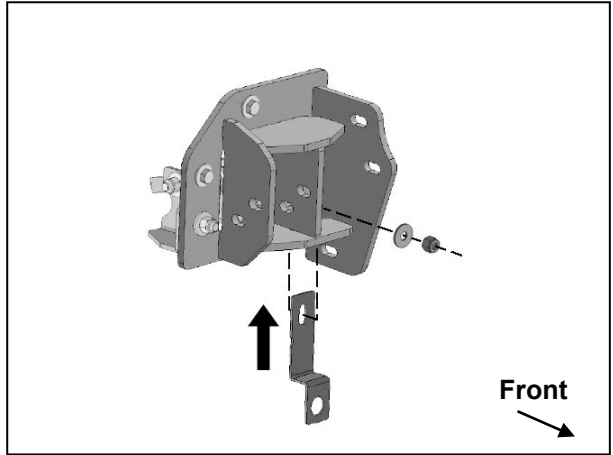


(Fig 27) Driver/left side of Bumper attached to Bracket

- (2) 6mm Button Head Bolts
- (4) 6mm Flat Washers
- (2) 6mm Nylon Lock Nuts



(Fig 29) Attach License Plate Bracket to front of Bumper



(Fig 28) Models with block heater, reuse Flat Washer and Lock Nut to attach Relocation Bracket to driver/left Bumper Bracket, (see Fig 27). Snap heater plug into the Bracket

