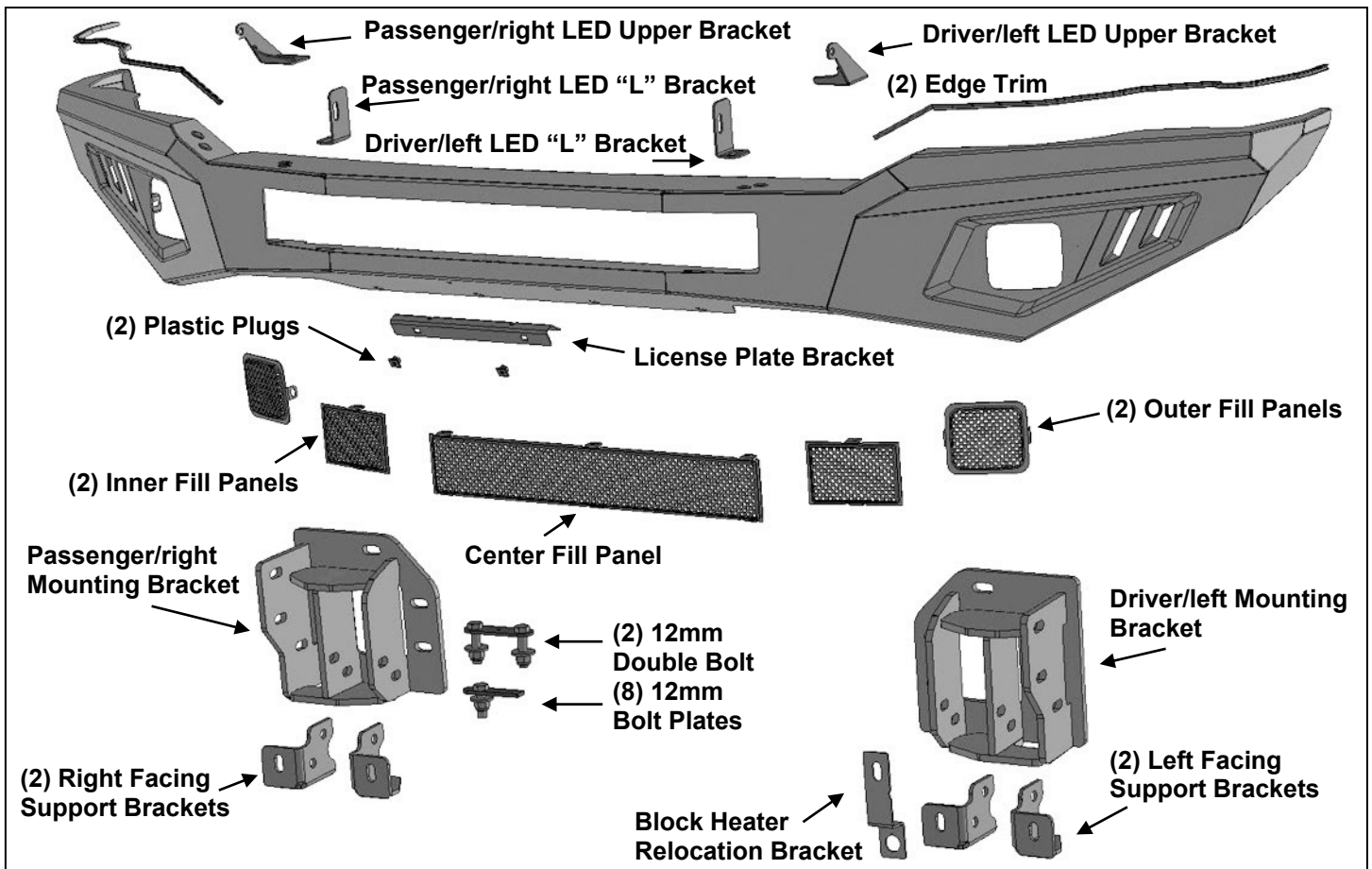


BARRICADE

HD FRONT BUMPER
 2022-23 SILVERADO 1500 (INCLUDES DIESEL)
 EXCLUDES 2022 LIMITED, ZR2
 SKU: S165549 / S165550

PARTS LIST:

1	HD Front Bumper Assembly	2	12-1.75mm x 120mm Hex Bolts
1	Driver/left Mounting Bracket Assembly	4	12-1.75mm x 50mm Hex Bolts
1	Passenger/right Mounting Bracket Assembly	2	12-1.75mm x 45mm Hex Bolts
2	Left Facing Support Brackets	28	12mm x 32mm x 3mm Flat Washers
2	Right Facing Support Brackets	20	12mm Nylon Lock Nuts
1	Center Mesh Fill Panel	4	8-1.25mm x 25mm Button Head Bolts
2	Small Inner Rectangular Mesh Fill Panels	2	8-1.25mm x 25mm Hex Bolts
2	Small Outer Mesh Fill Panels	2	8-1.25mm x 16mm Hex Bolts
1	Driver/left Inner LED "L" Light Bracket	14	8mm x 24mm x 2mm Flat Washers
1	Passenger/right Inner LED "L" Light Bracket	8	8mm Lock Washers
1	Driver/left Upper LED Light Bracket	6	8mm Hex Nuts
1	Passenger/right Upper LED Light Bracket	14	6mm x 20mm Combo Bolts
1	Engine Block Heater Relocation Bracket	2	6mm x 20mm Button Head Bolts
1	License Plate Bracket	4	6mm x 18mm x 1.6mm Flat Washers
2	Plastic Plugs for License Plate	14	6mm Flange Nuts
2	Edge Trims (800mm)	2	6mm Nylon Lock Nuts
8	12-1.75mm x 40mm Bolt Plates	1	5mm Wrench
2	12-1.75mm Double Bolt Plates	1	4mm Wrench



PROCEDURE:

REMOVE CONTENTS FROM BOX. VERIFY ALL PARTS ARE PRESENT. READ INSTRUCTIONS CAREFULLY BEFORE STARTING INSTALLATION. ASSISTANCE IS HIGHLY RECOMMENDED TO AVOID POSSIBLE INJURY OR DAMAGE TO THE VEHICLE. CUTTING IS REQUIRED.

1. Start installation at the driver/left wheel opening. Remove the screws/clips attaching the inner fender liner to the end of the bumper and fascia body panel, **(Figures 1 & 2)**. Open the hood and remove the bolts attaching the front end of the front fender to the end of the fascia, **(Figure 3)**. Repeat this **Step** to release the passenger/right end of the fascia panel. Pull the ends of the fascia out from below the headlights and from across the front of the vehicle and remove the fascia, **(Figures 4 & 19)**.
2. Temporarily remove the hood release handle and plastic cover from the top of the grille and radiator, **(Figure 5)**. Reattach the hood release handle. Models with grille mounted camera, unplug camera if equipped. Next, remove the hardware attaching the grille to the radiator core support and along the bottom, **(Figure 6)**. Once all hardware has been removed, firmly pull the grille straight out from the vehicle to release the grille from the clips. Place grille on a clean, soft surface.
3. Remove the license plate and bracket. On models with factory fog lights and/or bumper sensors, unplug the wiring harness leading to the bumper. Unplug the harness leading to the block heater plug in the bumper if equipped. **NOTE:** Main wiring harness connector is located up and behind the passenger/right side of the bumper. Release clips attaching passenger/right fender liner to access plug for harness. Move harness away from bumper.
4. From behind the driver/left side of the bumper, remove the outer bumper support connected to the side of the frame and the outer end of the bumper, **(Figure 7)**.
5. Locate and remove the hex bolts attaching the bottom of the bumper to the bumper bracket attached to the end of the frame, **(Figure 8)**.
6. Repeat **Steps 4 & 5** to remove the passenger/right bumper support and lower bumper hardware.
7. Move back to the top of the bumper. Remove the cover from the top of the bumper, **(Figure 9)**. Locate the hex bolts attaching the top of the bumper bracket to the frame, **(Figure 10)**.
8. Place blocks or jack stands under the front bumper to support it during mounting bolt removal. Once the bumper has been safely supported, remove the bumper bolts attaching the bumper assembly to the top of the bumper bracket, **(Figure 10)**. **WARNING!** Assistance is required to hold the bumper in place during bolt removal to prevent the bumper from falling. Carefully slide the bumper assembly with brackets off of the ends of the frame.
9. Remove both bumper brackets and tow hooks, if equipped, **(Figures 11 & 12)**.
10. **IMPORTANT: Models equipped with intercooler, (Diesel and Gas Turbo Charged models), refer to instructions for installation of shutter relocation kit available separately.**
11. Select (1) Left Facing and (1) Right Facing Support Bracket, **(Figure 13)**. Starting on the driver/left side, attach the Right Facing Support Bracket to the inner facing side of the frame with (2) 12mm Bolt Plates, (2) 12mm Flat Washers and (2) 12mm Nylon Lock Nuts. Next, attach (1) Left Facing Support Bracket to the outer facing side of the frame with (2) 12mm Bolt Plates, (2) 12mm Flat Washers and (2) 12mm Nylon Lock Nuts, **(Figures 13 & 14)**. Do not tighten hardware at this time.
12. Select the driver/left Frame Mounting Bracket, **(Figure 15)**. Reuse the (3) factory bumper bolts to attach the top mounting holes on the Mounting Bracket to the threaded bumper mount. Attach the (2) lower holes in the Mounting Bracket to the (2) Support Brackets with (2) 12mm x 45mm Hex Bolts, (4) 12mm Flat Washers and (2) 12mm Nylon Lock Nuts, **(Figure 15)**. Snug but do not fully tighten hardware.
13. Repeat **Steps 11 & 12** to install the passenger/right Support Brackets and Frame Bracket, **(Figure 16)**.
14. Select (1) tow hook if equipped. Reuse the short factory bolt and the included longer (1) 12mm x 120mm Hex Bolt, (2) 12mm Flat Washers and (1) 12mm Nylon Lock Nut to attach the tow hook to the driver/left Frame Bracket, **(Figures 17 & 18)**. Repeat this **Step** to attach the passenger/right tow hook. Fully tighten tow hook hardware only at this time.
15. Move the plastic fascia panel to a sturdy work surface, **(Figure 19)**. Move to the driver/left end of the panel. Measure 4" (100mm) up from the bottom corner of the panel and use a marker to make a small mark, **(Figure 20)**. Move toward the center (left) and measure/mark the panel along the 4", **(Figure 21)**.

Use removable tape to make a straight guide line between the marks, **(Figure 22)**. Cut the outer plastic panel and inner back panel. Clean up the cut edge. Repeat this **Step** to cut the bottom 4" off of the passenger/right end of the fascia panel.

16. Reinstall the plastic fascia body panel, **(Figure 23)**. Reattach the fender liners and fender flares.
17. Carefully unwrap the HD Bumper assembly. Push the included Edge Trim onto the top edge of both ends of the Bumper, **(Figure 24)**. **NOTE:** Cut Edge Trim to fit.
18. Temporarily attach the Bumper to the Brackets. Align the Bumper to the vehicle. Adjust Bracket locations and fully tighten Bracket to frame hardware. Remove Bumper. Reinstall the plastic grille, plug in the camera if equipped and reinstall top cover removed in **Step 1, (Figure 23)**.
19. Determine if accessory lights, (not included), or Screen Fill Panels will be installed at this time.
IMPORTANT: It may be easier to install Center Fill Panels and/or lights before installing Bumper.

Screen Fill Panel Installation (do not install fill panels if installing lights).

- a. Select desired Screen Fill Panels. **NOTE:** Outer Panels are square with rounded corners, Inner panels are rectangular with sharp corners, **(Figure 25)**.
- b. Attach Screen Fill Panels as needed with the included 6mm Button Head Combo Bolts and 6mm Flange Nuts, **(Figure 25)**. Fully tighten Fill Panel hardware at this time. Repeat to install all Panels as desired.

Inner center LED bar style light installation (light not included).

- a. Select the driver/left "L" Light Bar Bracket, **(Figure 26)**. **NOTE:** "L" Brackets are offset to adjust for different widths of LED Bar Lights and can be installed on either side as needed.
- b. Attach the L Bracket to the slot on the back of the Bumper with (1) 8mm x 25mm Hex Bolt, (2) 8mm Flat Washers, (1) 8mm Lock Washer and (1) 8mm Hex Nut, **(Figure 26)**. Repeat this **Step** to install the remaining "L" Bracket on the other side of the Bumper. **IMPORTANT:** The Bumper features slots designed for 20" and 30" bar style lights. Attach the Brackets to the correct slots in the Bumper. If necessary, hold the light up to the slots to help determine correct slots to use and combination of Brackets.
- c. Attach the light to the "L" Brackets with the hardware included with the light or the supplied (2) 8mm x 16mm Hex Bolts, (2) 8mm Lock Washers and (2) 8mm Flat Washers or (2) 6mm x 16mm Hex Bolts, (2) 6mm Lock Washers and (2) 6mm Flat Washers, **(Figure 26)**. Do not fully tighten hardware at this time.

Top mounted 30" bar style LED light (not included).

- a. Remove the (2) rubber plugs from the driver/left side mounting holes, **(Figure 27)**.
- b. Select the driver/left Light Bracket. Attach the Bracket to the top of the Bumper with (2) 8mm x 25mm Button Head Bolts, (4) 8mm Flat Washers, (2) 8mm Lock Washers and (2) 8mm Hex Nuts. Do not tighten hardware at this time.
- c. Repeat previous **Steps** to attach the passenger/right Bracket.
- d. Select the 30" light, (not included). Attach light to Top Brackets with the hardware included with the light. Adjust the width of the Brackets to the light and fully tighten bracket hardware.
IMPORTANT: Top Light Brackets are designed to install 30" bar style LED lights with outside length dimensions of 31.653" (804mm) to 32.44" (824mm) only. Fully tighten top light hardware once adjusted.

Outer LED cube style light installation (light not included).

- a. Attach lights to mounting tabs on back of each end of the Bumper, **(Figure 25)**.

20. **Models equipped with diesel option only**, refer to instructions packaged with Relocation Kit to install lower shutter relocation kit.
21. With assistance, position the Bumper Assembly up to the frame and over the tow hooks. Temporarily support the weight of the Bumper. **WARNING:** To avoid possible injury or damage to the vehicle, do not proceed until the Bumper is fully and safely supported.
22. Line up the driver/left side mounting plate on the back of the Bumper with the (3) slots in the Mounting Bracket. Attach the top (2) holes in the Bumper to the top of the Bracket with the included 12mm Double Bolt Plate, (2) 12mm Flat Washers and (2) 12mm Nylon Lock Nuts, **(Figures 28 & 29)**. Attach the bottom of the Mounting Plate to the bottom hole in the Bracket with the included (1) 12mm x 45mm

Hex Bolt, (2) 12mm Flat Washers and (1) 12mm Nylon Lock Nut. Repeat this **Step** to attach the passenger/right side of the Bumper to the Bracket.

23. Level and adjust the Bumper and fully tighten all hardware.

24. Models with Block Heater:

- a. Remove the bottom right Flat Washer and Nylon Lock Nut attaching the driver/left Mounting Bracket to the Support Bracket, **(Figure 30)**.
- b. Slide the Relocation Bracket over the exposed Hex Bolt. Reuse the Flat Washer and Nylon Lock Nut to attach the Relocation Bracket to the front of the Mounting Bracket, **(Figure 30)**.
- c. Unplug Block Heater Plug from harness. Snap Block Heater Plug into the Relocation Bracket.
- d. Line up plug for accessibility and fully tighten hardware. Plug Block Heater into harness.

25. On vehicles requiring front license plate, attach the License Plate Bracket to the holes in the Bumper with the included (2) 6mm x 20mm Button Head Bolts, (4) 6mm Flat Washers and (2) 6mm Nylon Lock Nuts, **(Figure 31)**. Insert (2) Plastic Plugs into the square holes in the Bracket. Reuse the factory screws to attach the license plate to the plastic plugs.

26. Do periodic inspections of the installation to make sure that all hardware is secure and tight.

To protect your investment: Do not use any type of polish or wax that may contain abrasives that could damage the finish. Mild soap may be used to clean the Front Bumper assembly.

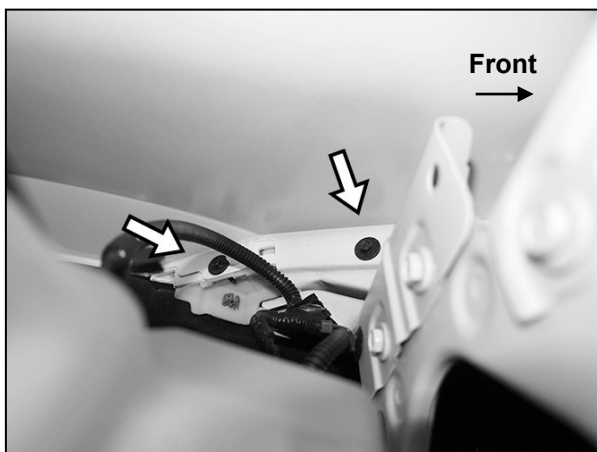
Driver/left Side Installation Pictured



(Fig 1) Remove screws attaching driver/left fender liner to fascia body panel



(Fig 2) Remove screws attaching driver/left fender liner to end of bumper

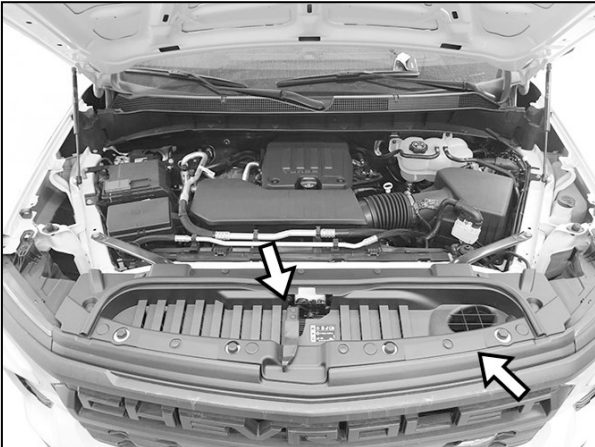


(Fig 3) Remove screws behind headlight attaching driver/left front end of fender to fascia body panel (arrows)

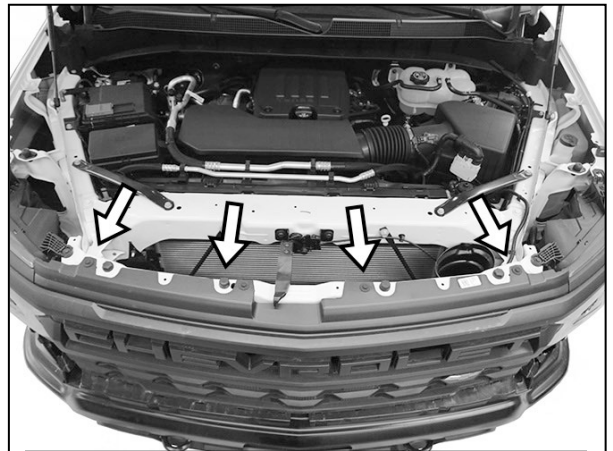


(Fig 4) Remove fascia body panel

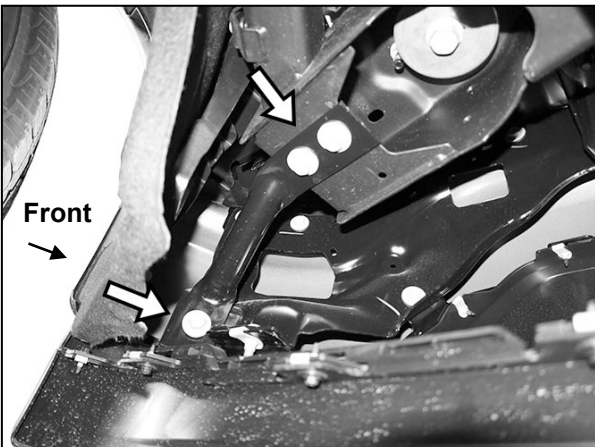
Driver/left Side Installation Pictured



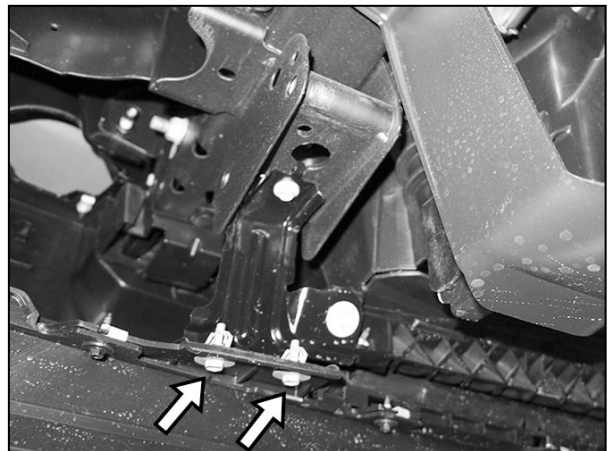
(Fig 5) Remove hood release handle and plastic cover. Reattach hood release handle



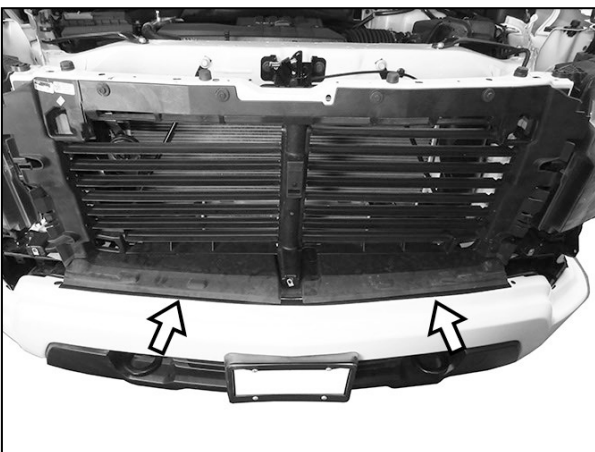
(Fig 6) Remove hardware attaching grille. Firmly pull grille straight out from vehicle



(Fig 7) Remove outer bumper supports (arrows)

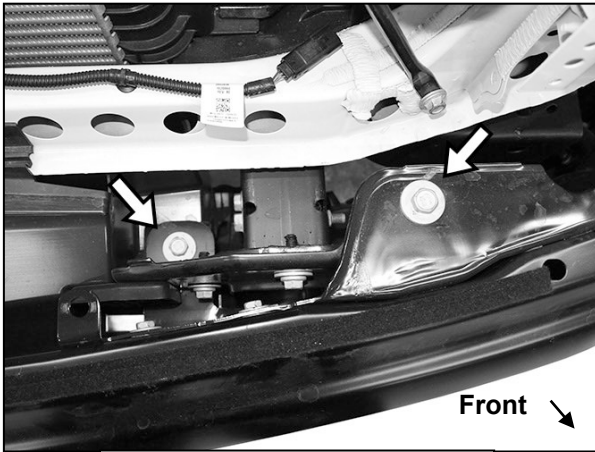


(Fig 8) Remove bolts attaching bottom of bumper to brackets (arrows).

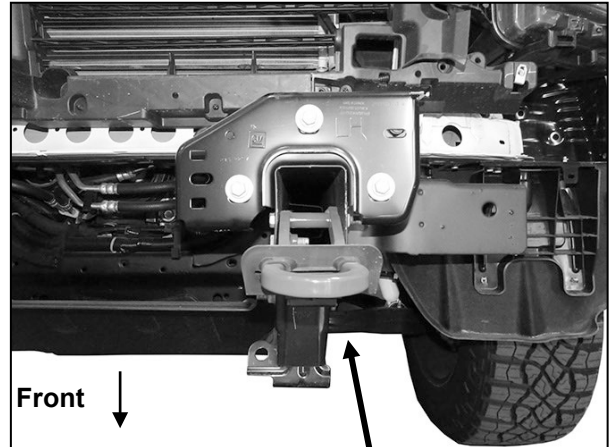


(Fig 9) Remove cover from top of bumper (arrows)

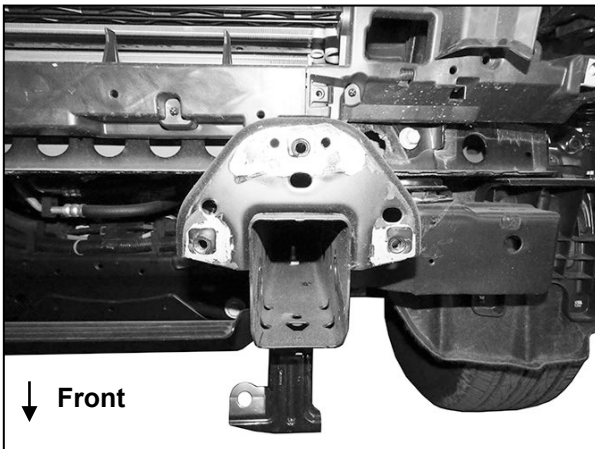
Driver/left Side Installation Pictured



(Fig 10) Remove driver/left top bumper bolts (arrows)

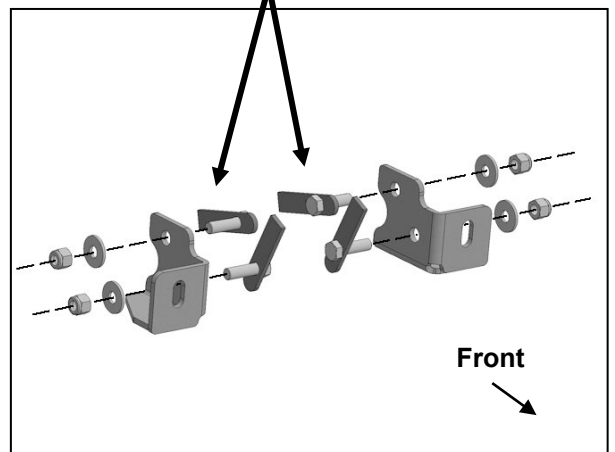


(Fig 11) Remove factory bumper brackets and tow hooks from end of frame (driver/left side pictured)

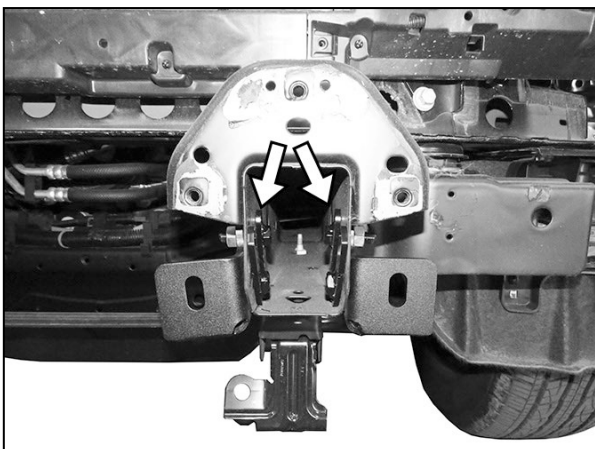


(Fig 12) Factory bumper Brackets removed

- (4) 12mm Bolt Plates
- (4) 12mm Flat Washers
- (4) 12mm Nylon Lock Nuts

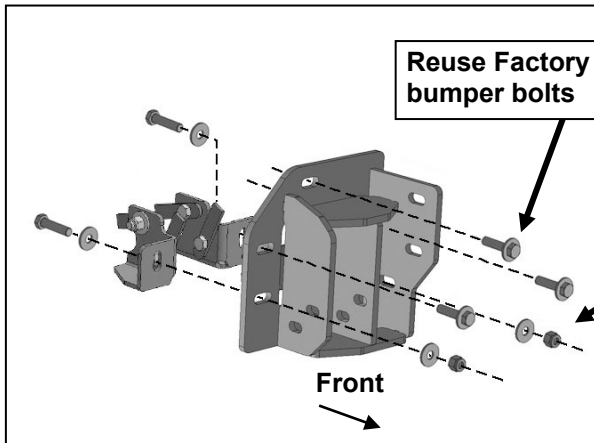


(Fig 13) Attach Support Brackets to outside of frame



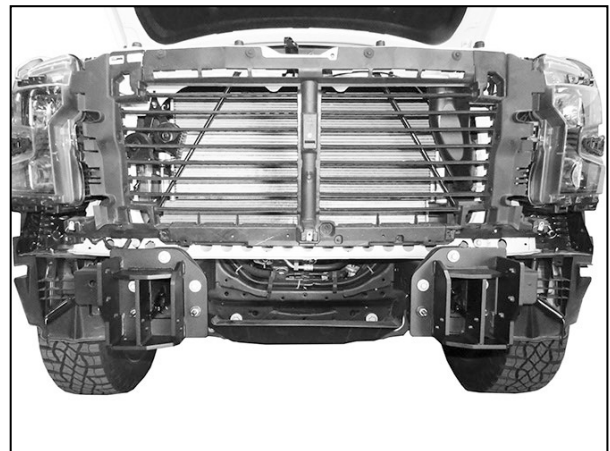
(Fig 14) Support Brackets installed. Insert Bolt Plates into end of frame (arrows)

Driver/left Side Installation Pictured

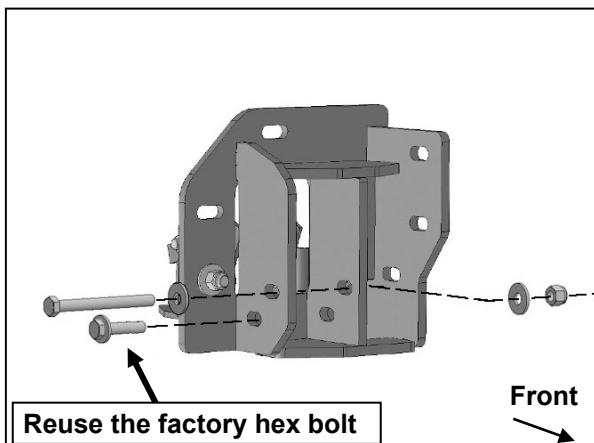


- (2) 12mm x 45mm Hex Bolts
- (4) 12mm Flat Washers
- (2) 12mm Nylon Lock Nuts

(Fig 15) Reuse factory bumper bolts to attach top of Frame Bracket to bumper mount on frame. Diver/left Bracket illustrated

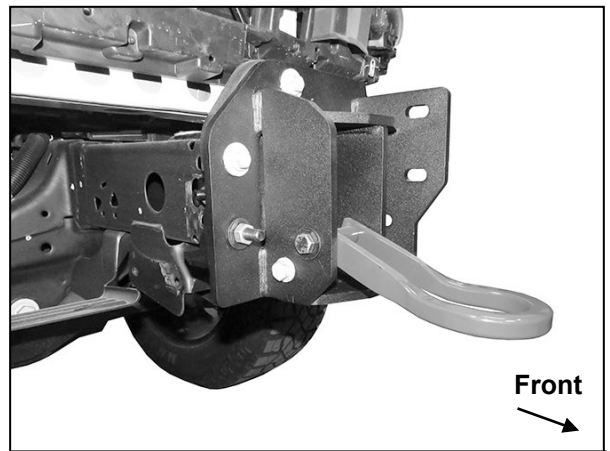


(Fig 16) Frame Brackets attached to frame and Support Brackets



- 12mm x 120mm Hex Bolt
- (2) 12mm Flat Washers
- 12mm Nylon Lock Nut

(Fig 17) Attach factory tow hook to Bracket

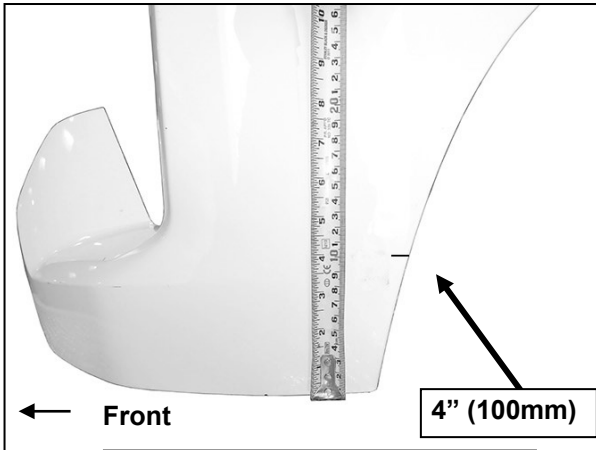


(Fig 18) Attach factory tow hook to Bracket

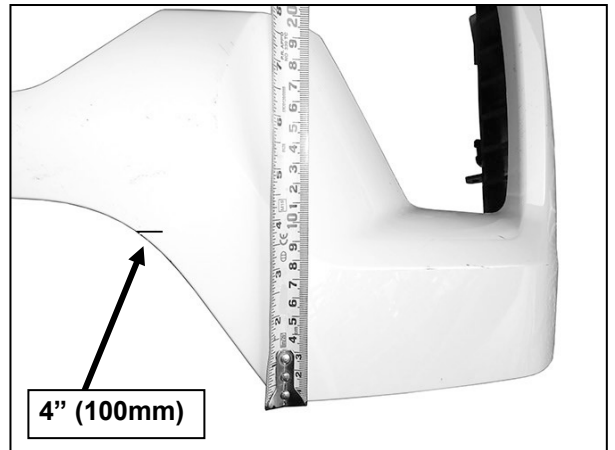


(Fig 19) Place fascia body panel on a clean, soft surface

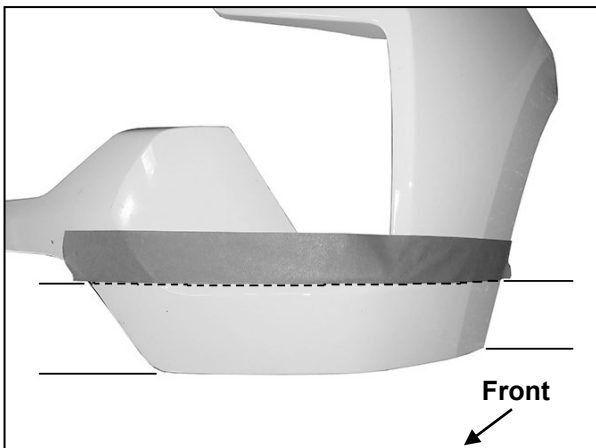
Driver/left Side Installation Pictured



(Fig 20) Place mark on fascia 4" up from bottom (arrow)



(Fig 21) Place mark on fascia 4" up from bottom (arrow)

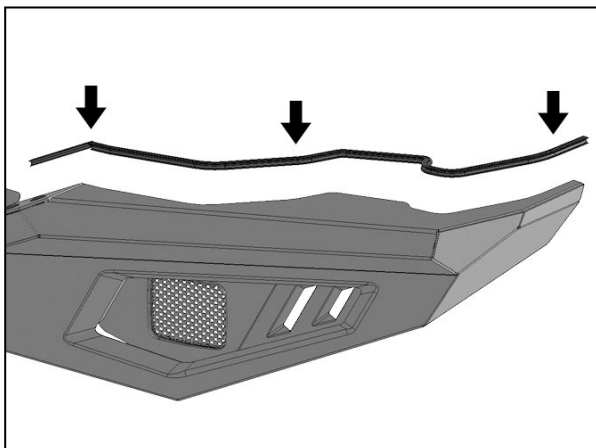


(Fig 22) Use masking tape to make a straight line connecting the two marks. Cut completely through inner and outer panels

Reinstall fascia body panel, grille and cover. Reattach inner fender liners

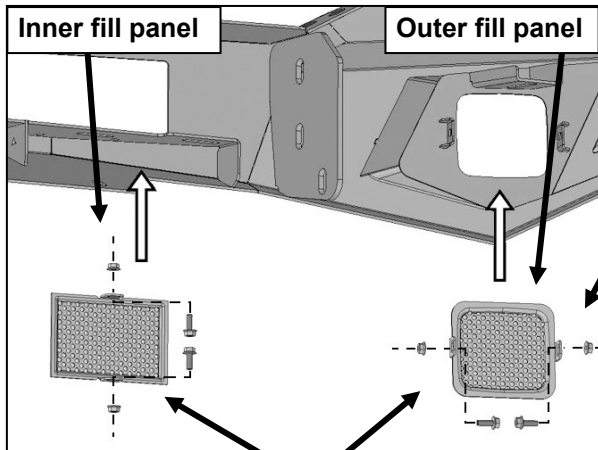


(Fig 23) Test fit Bumper to vehicle and adjust Mounting Bracket locations. Fully tighten Bracket to frame hardware



(Fig 24) Push Edge Trim onto top of Bumper

Driver/left Side Installation Pictured

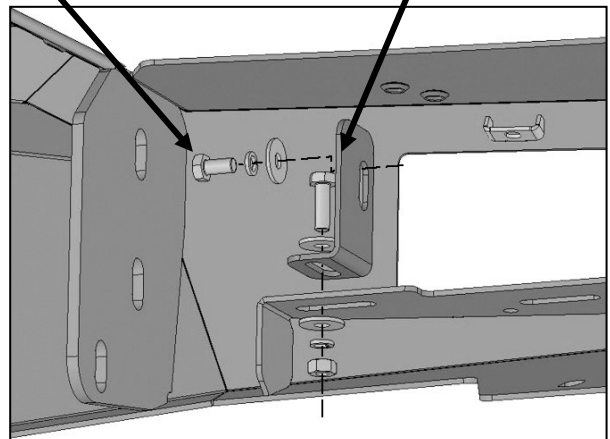


6mm Button Head
 Combo Bolts
 6mm Flange Hex Nuts

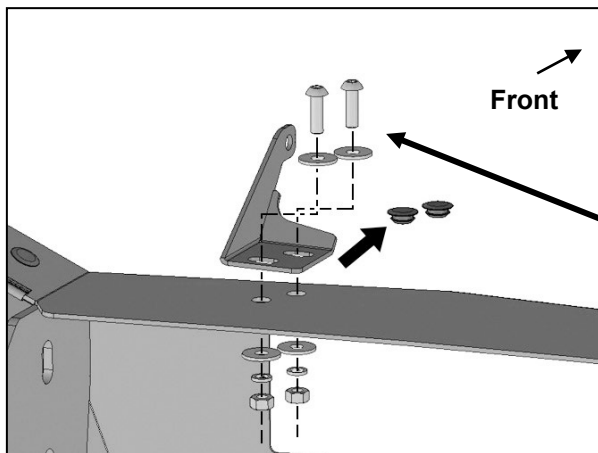
8mm x 16mm Hex Bolt
 8mm Lock Washer
 8mm Flat Washer

8mm x 25mm Hex Bolt
 (2) 8mm Flat Washers
 8mm Lock Washer
 8mm Hex Nut

(Fig 25) Attach Mesh Fill Panels as desired to fill unused openings for lights (lights not included)



(Fig 26) Example of typical bar style LED center light installation (light not included)

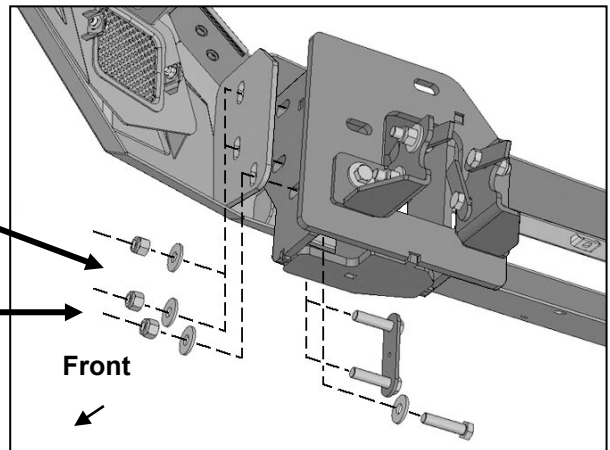


(2) 8mm x 25mm Button
 Head Bolts
 (4) 8mm Flat Washers
 (2) 8mm Lock Washers
 (2) 8mm Hex Nuts

(Fig 27) Remove rubber plugs (arrow) to attach Top Light Bracket to Bumper

12mm Double Bolt Plate
 (2) 12mm Flat Washers
 (2) 12mm Nylon Lock Nuts

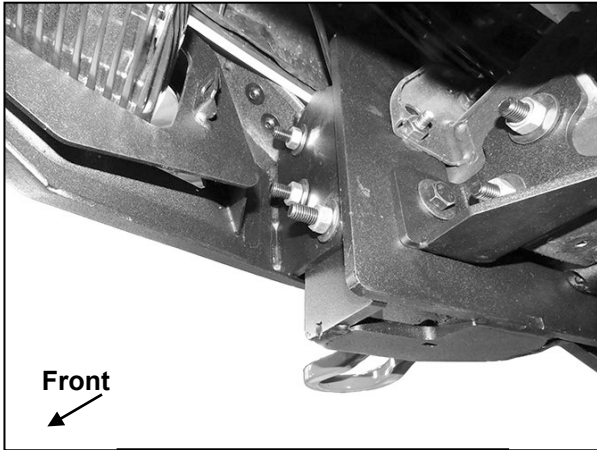
12mm x 45mm Hex Bolt
 (2) 12mm Flat Washers
 12mm Nylon Lock Nut



(Fig 28) Attach the Bumper to Frame Brackets

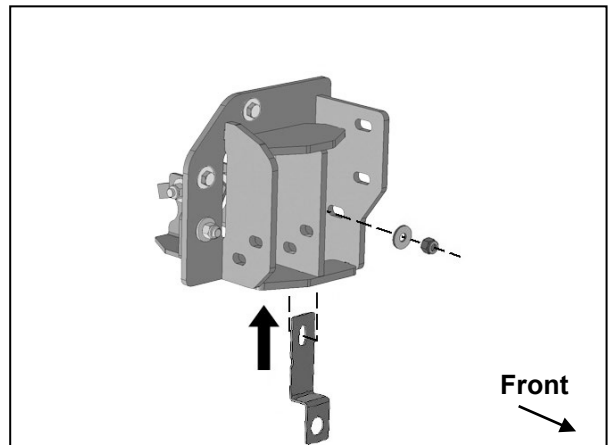
WARNING! Do not crawl under bumper unless it is properly supported on blocks or stands or the bumper may fall.

Driver/left Side Installation Pictured



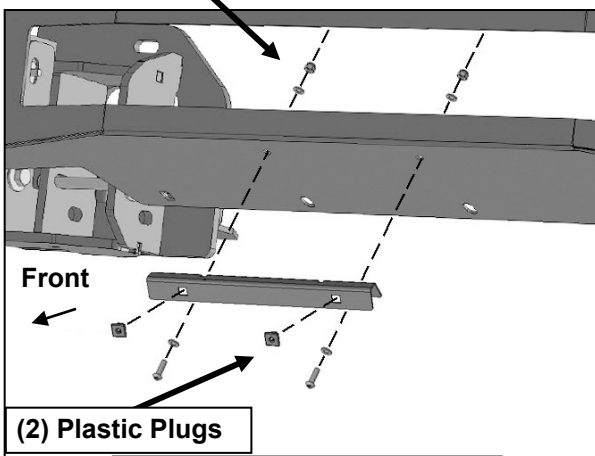
(Fig 29) Driver/left side of Bumper attached to Bracket

WARNING! Do not crawl under bumper unless it is properly supported on blocks or stands or the bumper may fall.



(Fig 30) Models with block heater, reuse Flat Washer and Lock Nut to attach Relocation Bracket to driver/left Bumper Bracket. Snap heater plug into the Bracket

- (2) 6mm Button Head Bolts
- (4) 6mm Flat Washers
- (2) 6mm Nylon Lock Nuts



- (2) Plastic Plugs

(Fig 31) Attach License Plate Bracket to front of Bumper



Complete Installation. Bull Nose Hoop, lights, and Skid Plate not included