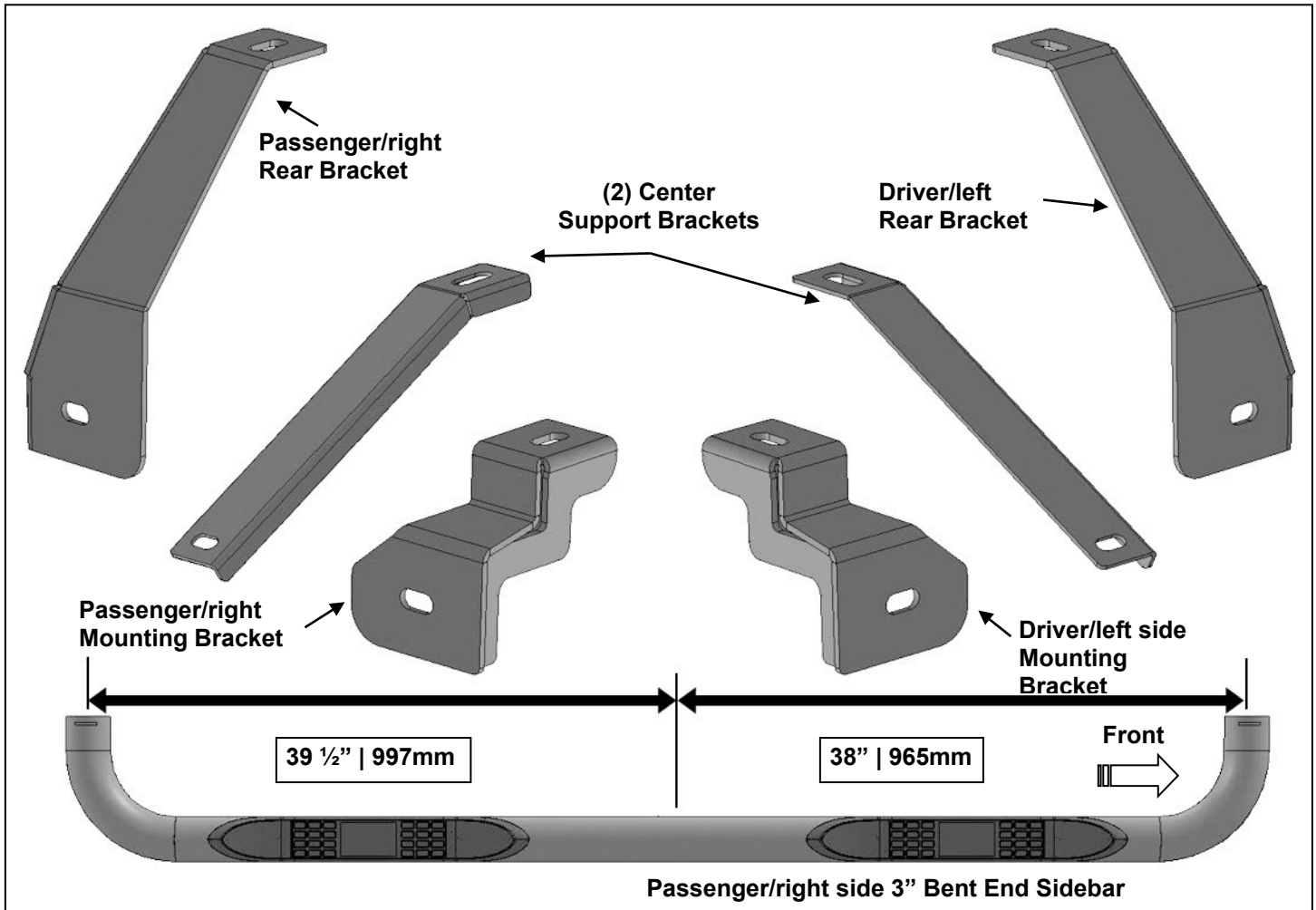


PARTS LIST:

1	Driver/left side 3" Oval Bent End Sidebar	1	Passenger/right Rear Mounting Bracket
1	Passenger/right side 3" Oval Bent End Sidebar	4	1/2" x 2" Hex Bolts
1	Driver/left Front Mounting Bracket	4	1/2" Lock Washers
1	Passenger/right Front Mounting Bracket	4	1/2" x 1-1/2" OD x 1/8" Large Flat Washers
2	Center Support Brackets	2	8-1.25mm x 25mm Combo Bolts
1	Driver/left Rear Mounting Bracket	6	12mm x 24mm x 2.5mm Spacer Washer



PROCEDURE:

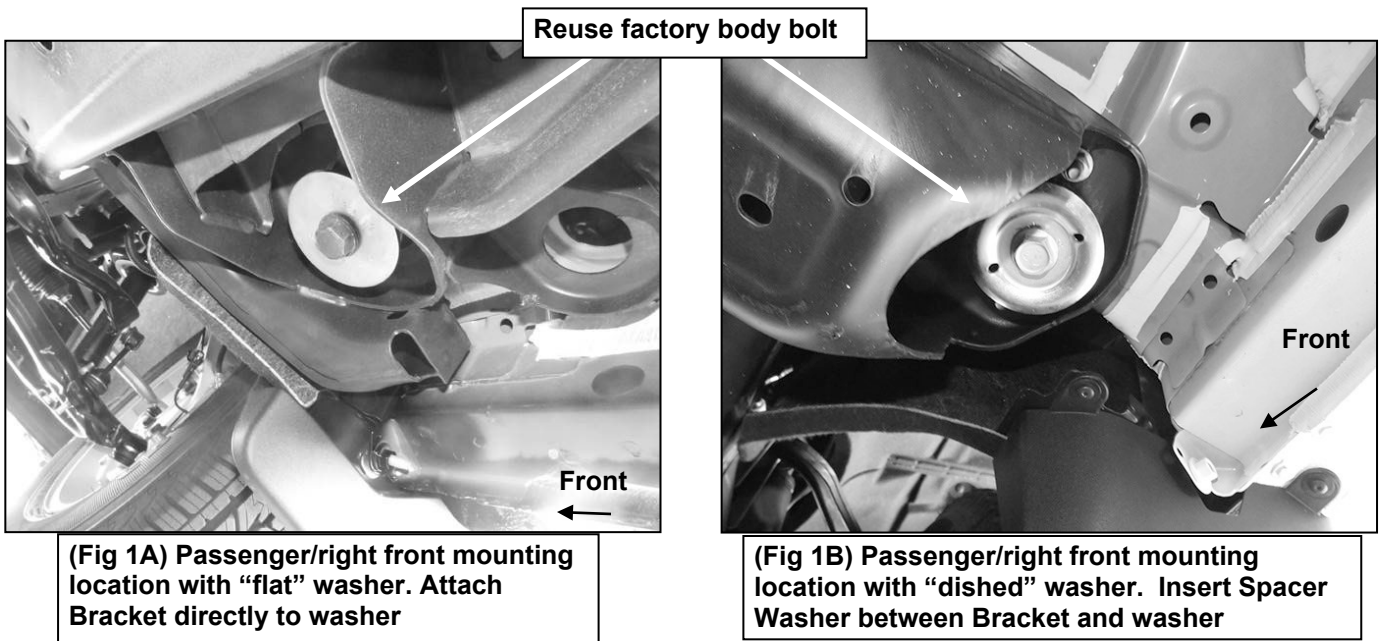
REMOVE CONTENTS FROM BOX. VERIFY ALL PARTS ARE PRESENT. READ INSTRUCTIONS CAREFULLY BEFORE STARTING INSTALLATION. ASSISTANCE IS RECOMMENDED.

1. Start the installation under the Passenger/right side of the vehicle. Locate the front body mount, (Figures 1A & 1B).
2. **Determine style of body mount bolt washer.**
 - a. Models with "flat" washer, attach all Brackets directly to the flat washer, (Figure 1A).
 - b. Models with "dished" washer, insert 12mm Spacer Washer into recess in washer, between Bracket and body bolt washer, (Figure 1B).
3. Remove the front body mounting bolt.

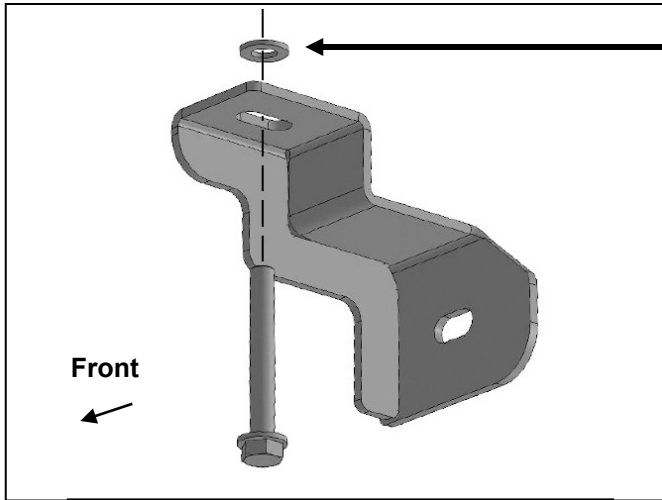
4. Select the Passenger/right Front Mounting Bracket, **(Figure 2)**. Reuse the factory body bolt to attach the Bracket to the body mount. Do not fully tighten hardware at this time.
5. Move to the center mounting location, **(Figure 3)**. Repeat **Steps 2—4** to attach (1) Center Support Bracket to the center body mount, **(Figure 4)**. Leave hardware loose.
6. Move to the rear mounting location, **(Figure 5)**. Repeat **Steps 1—5** to attach the Rear Mounting Bracket to the rear body mount, **(Figure 6)**. Do not fully tighten hardware at this time.
7. Carefully unwrap and select the passenger/right Sidebar. Use the illustration above to help identify the correct Sidebar. Attach the front end of the tube to the Front Mounting Bracket with the included (1) 1/2" Hex Bolt, (1) 1/2" Lock Washer and (1) 1/2" Flat Washer, **(Figure 7)**. Snug but do not tighten hardware at this time.
8. Repeat **Step 7** to attach the rear end of the Sidebar to the Rear Mounting Bracket, **(Figure 8)**.
9. Attach the Center Support Bracket to the threaded insert in the center of the Sidebar with the included (1) 8mm Combo Bolt, **(Figure 9)**. Do not tighten hardware at this time.
10. Level and adjust the Sidebar as necessary and fully tighten all hardware.
11. Repeat **Steps 1—10** for Driver/left Sidebar installation.
12. Do periodic inspections of the installation to make sure that all hardware is secure and tight.

To protect your investment: Wax this product after installing. Regular waxing is recommended to add a protective layer over the finish. Do not use any type of polish or wax that may contain abrasives that could damage the finish. Mild soap may be used also to clean the Sidebar.

Passenger/right Side Installation Pictured



Passenger/right Side Installation Pictured

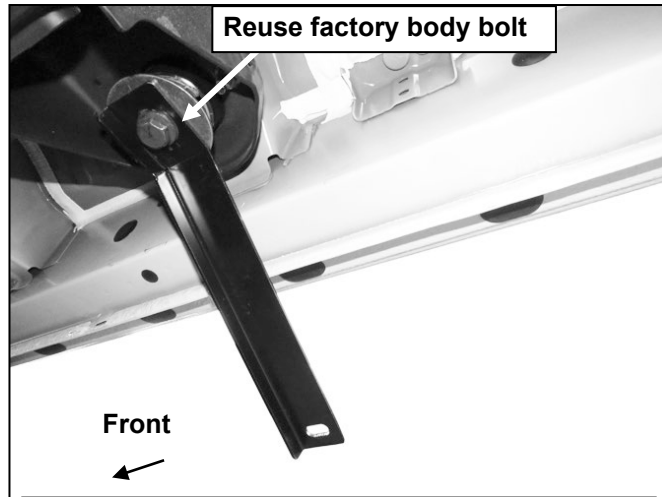


Models with "dished" body mount washer, insert Spacer Washer between Bracket and body mount

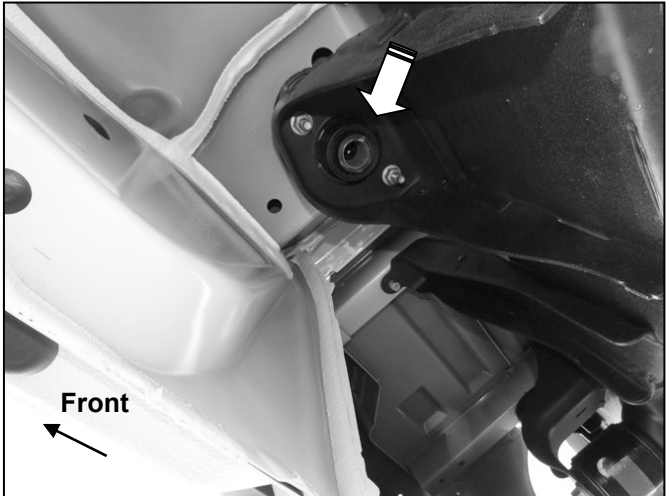
(Fig 2) Reuse factory body mount bolt to attach passenger/right front Mounting Bracket to body mount



(Fig 3) Passenger side center mounting location

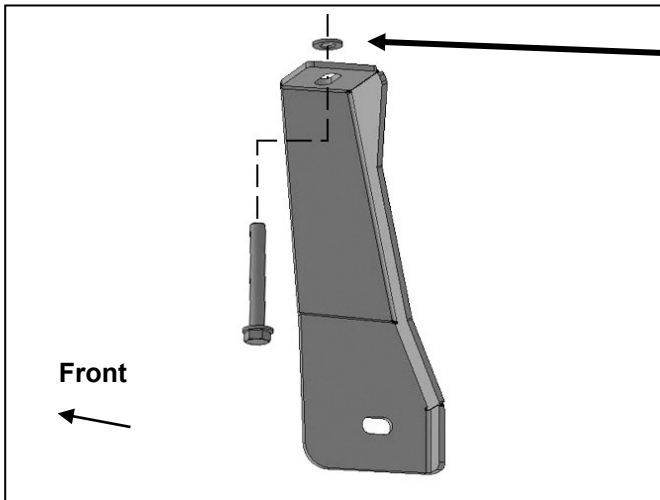


(Fig 4) Reuse factory body bolt to attach Center Support Bracket to center body mount. Models with "dished" washer, insert Spacer Washer between Bracket and dished washer



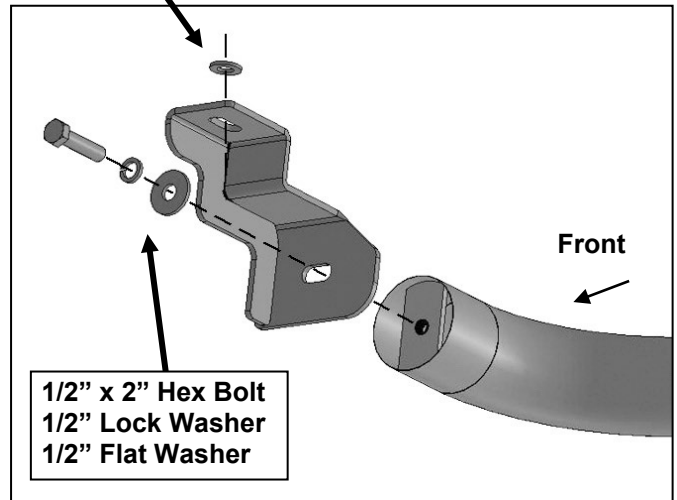
(Fig 5) Passenger side rear mounting location

Passenger/right Side Installation Pictured



(Fig 6) Reuse factory body bolt to attach Rear Bracket to body mount. Models with "dished" washer, insert Spacer Washer between Bracket and dished washer

Models with "dished" body mount washer, insert Spacer Washer between Bracket and body mount

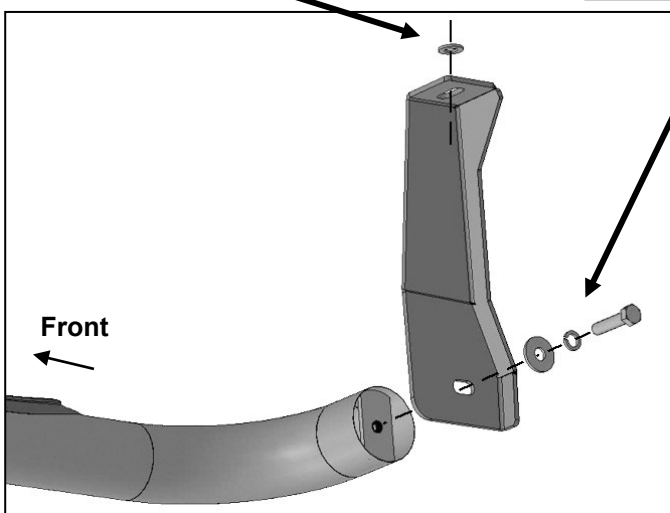


(Fig 7) Passenger front of Sidebar attached to Front Mounting Bracket illustrated

1/2" x 2" Hex Bolt
 1/2" Lock Washer
 1/2" Flat Washer

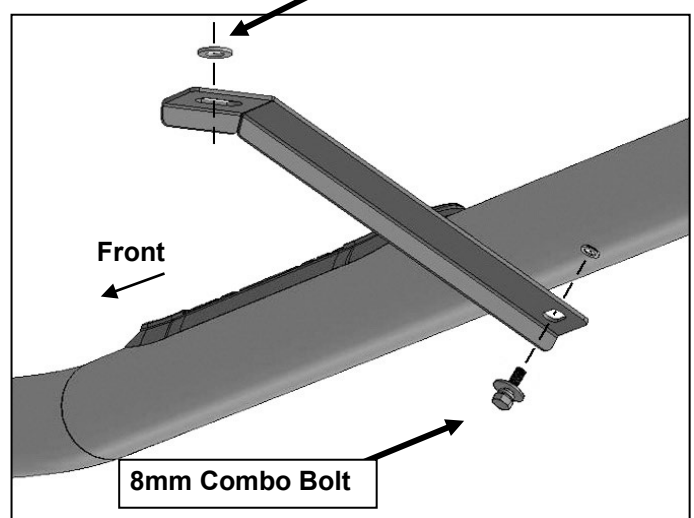
Models with "dished" body mount washer, insert Spacer Washer between Bracket and body mount

1/2" x 2" Hex Bolt
 1/2" Lock Washer
 1/2" Flat Washer



(Fig 8) Attach passenger/right Sidebar to the Rear Mounting Bracket

Models with "dished" body mount washer, insert Spacer Washer between Bracket and body mount



(Fig 9) Center Support Bracket attached to Passenger/right Sidebar

8mm Combo Bolt