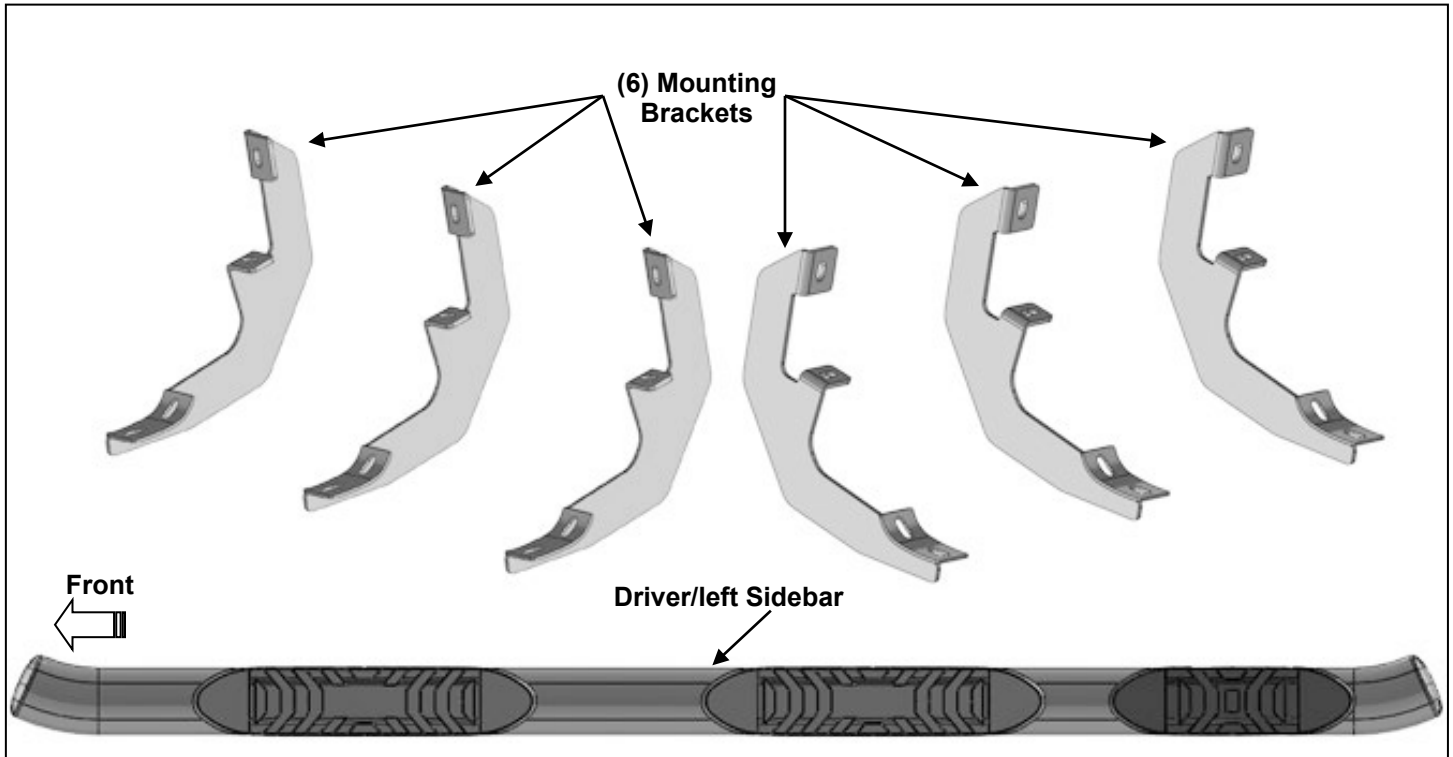


**PARTS LIST:**

1	Driver/left Sidebar	12	8-1.25mm x 25mm Combo Bolts
1	Passenger/right Sidebar	12	8mm Lock Washers
6	Mounting Brackets	12	8mm x 24mm x 2mm Flat Washers
12	8-1.25mm x 30mm Hex Bolts		



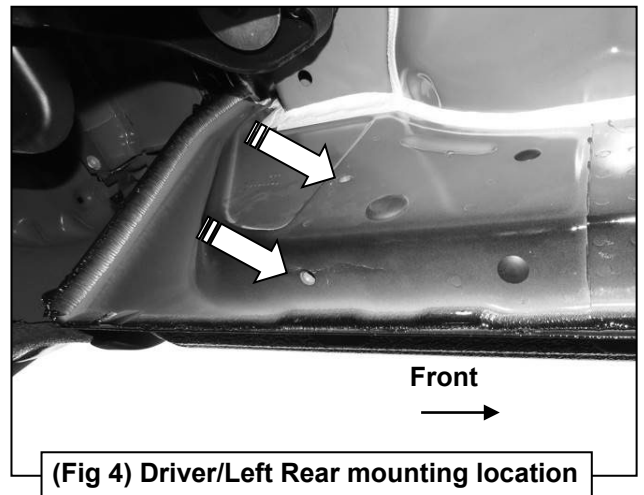
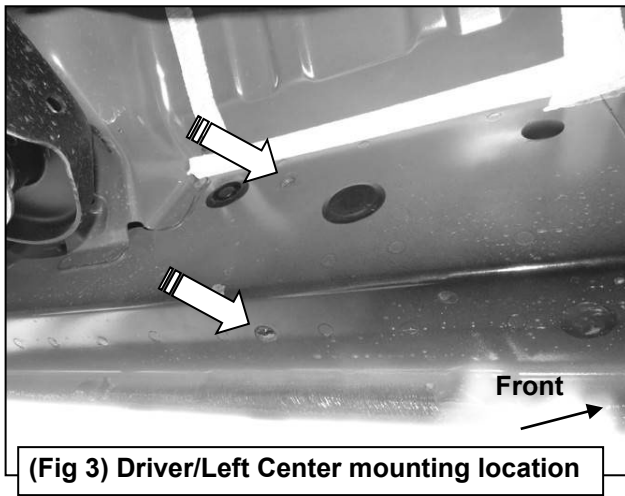
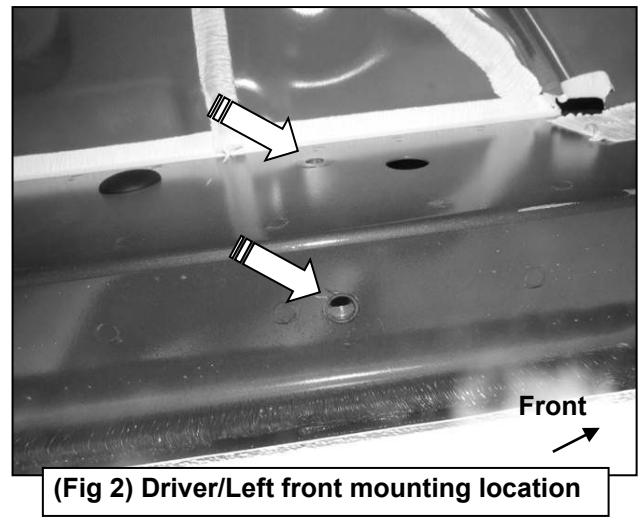
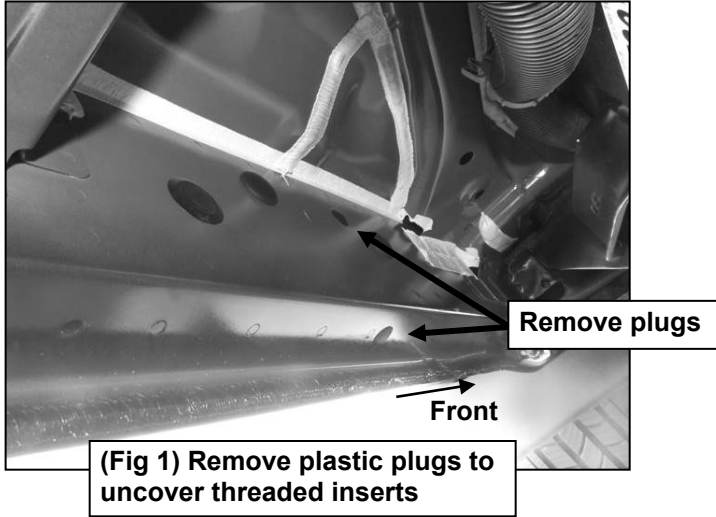
**PROCEDURE:**

**REMOVE CONTENTS FROM BOX. VERIFY ALL PARTS ARE PRESENT. READ INSTRUCTIONS CAREFULLY BEFORE STARTING INSTALLATION. ASSISTANCE IS RECOMMENDED.**

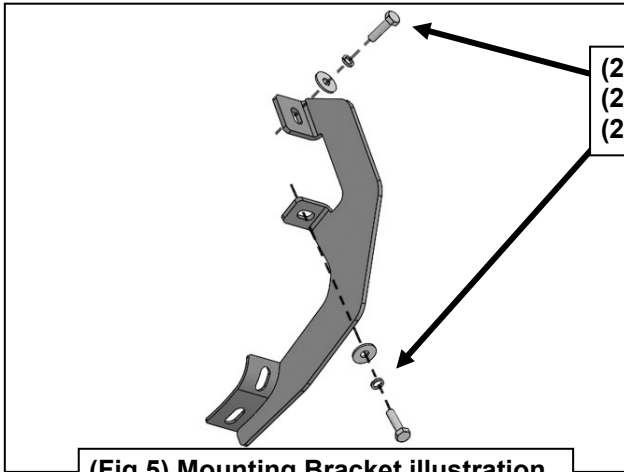
1. Start the installation under the Driver/Left side of the vehicle. Locate the 4 plugs along the bottom edge of the body. Mounting Brackets will bolt to the 1st, 2nd and 4th threaded mounting holes, **(Figures 1—4)**. Remove the plastic plugs from each mounting location. Directly above each threaded insert is a top mounting location on the side of the body panel. Hold a Bracket up in place to help determine the mounting holes to use along the body. **NOTE:** Thread an 8mm Hex Bolt into the threaded inserts to clear paint as required.
2. Select (1) Mounting Bracket. Starting at the front of the Driver/Left side, bolt the Mounting Bracket to the factory threaded holes with (2) 8mm Hex Bolts, (2) 8mm Lock Washers and (2) 8mm Flat Washers, **(Figures 5 & 6)**. Do not tighten hardware at this time.
3. Repeat **Steps 1 & 2** to install the remaining (2) Mounting Brackets on the Driver/Left side mounting locations along the body panel, **(Figures 7 & 8)**.
4. Select the Driver/Left Sidebar. Use the illustration above to help determine the correct Sidebar. Place the Sidebar on top of the Brackets. **IMPORTANT:** Do not slide, (front to back or rotate), the Sidebar on the Brackets or damage to the finish may result.
5. Attach the Sidebar to the Brackets with (6) 8mm Combo Bolts, **(Figures 9—12)**.
6. Level and adjust the Sidebar and fully tighten all hardware.
7. Repeat **Steps 1—6** to install the Passenger/Right Sidebar.
8. Do periodic inspections of the installation to make sure that all hardware is secure and tight.

**To protect your investment:** Wax this product after installing. Regular waxing is recommended to add a protective layer over the finish. Do not use any type of polish or wax that may contain abrasives that could damage the finish. Mild soap may be used also to clean Sidebars.

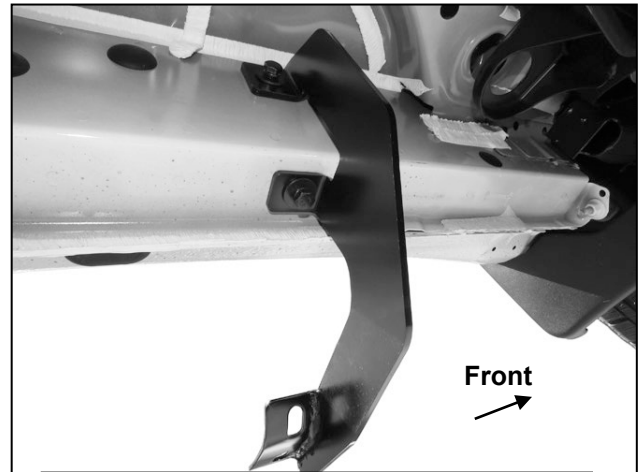
### Driver/Left side Installation Pictured



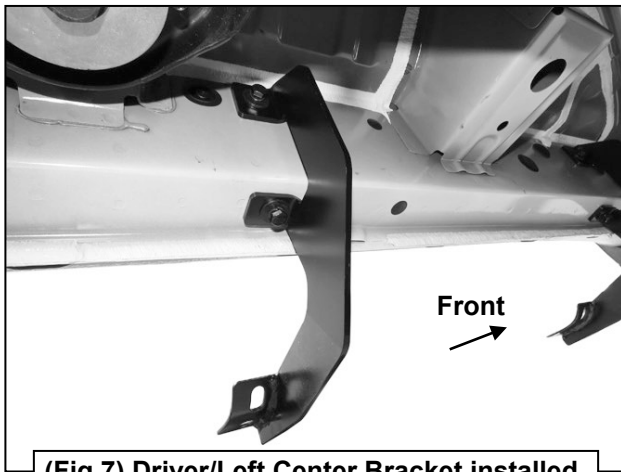
**Driver/left side Installation Pictured**



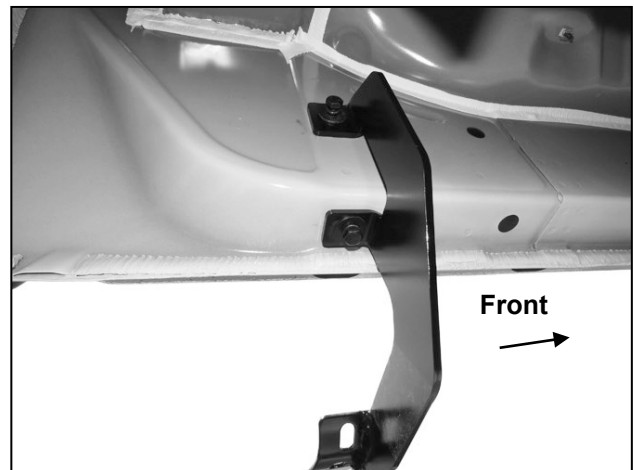
**(Fig 5) Mounting Bracket illustration**



**(Fig 6) Driver/Left front Bracket installed**



**(Fig 7) Driver/Left Center Bracket installed**



**(Fig 8) Driver/Left Rear Bracket installed**

**Driver/left side Installation Pictured**

