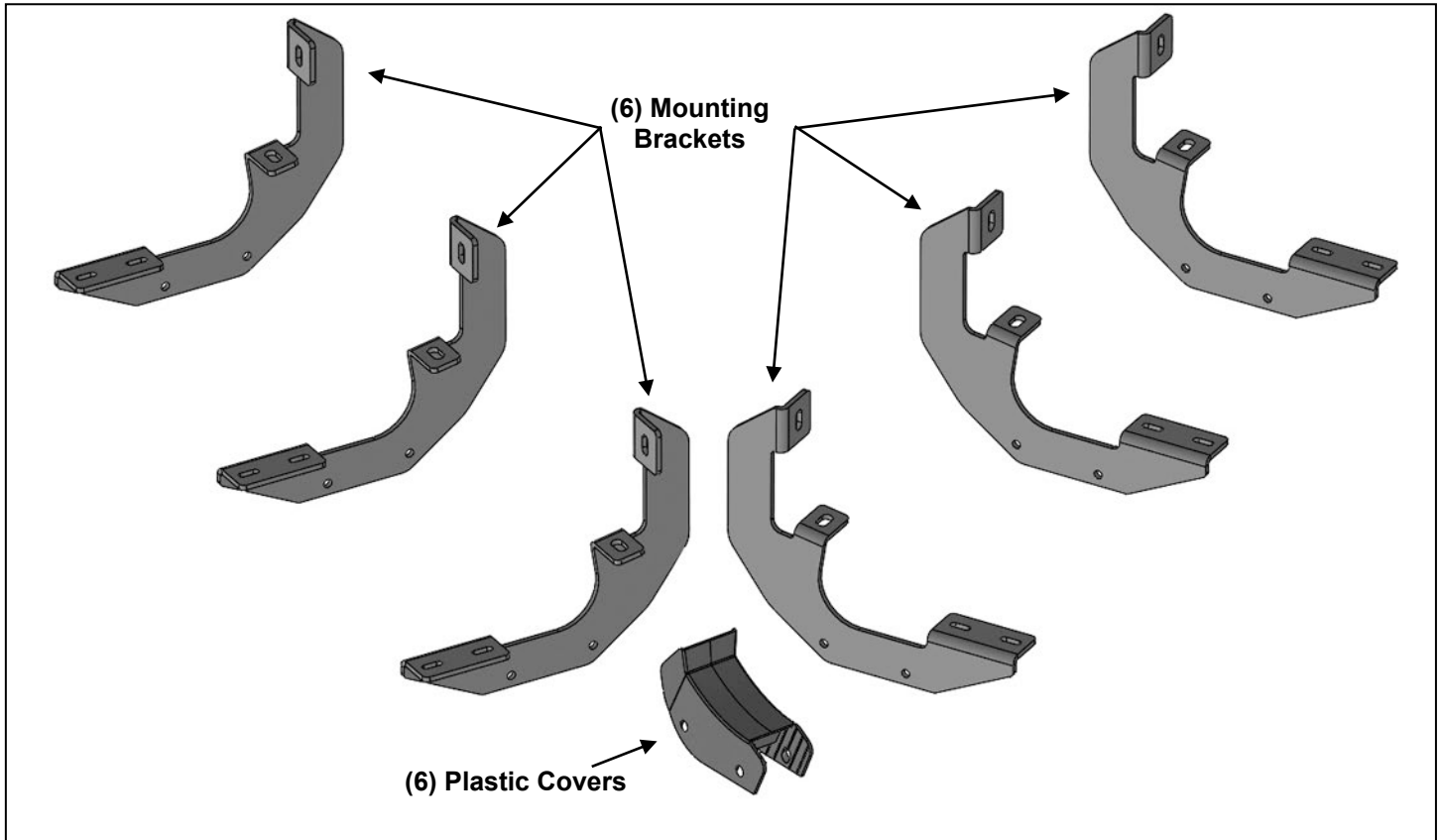


PARTS LIST:

2	I4 Running Boards	12	8mm x 24mm x 2mm Flat Washers
6	Mounting Brackets	12	6mm x 20mm T-Bolts
6	Plastic Bracket Covers	12	6mm x 22mm x 2mm Flat Washers
12	Retaining Clips (Plastic Covers)	12	6mm Lock Washers
12	8-1.25mm x 30mm Hex Bolts	12	6mm Hex Nuts
12	8mm Lock Washers		

**PROCEDURE:**

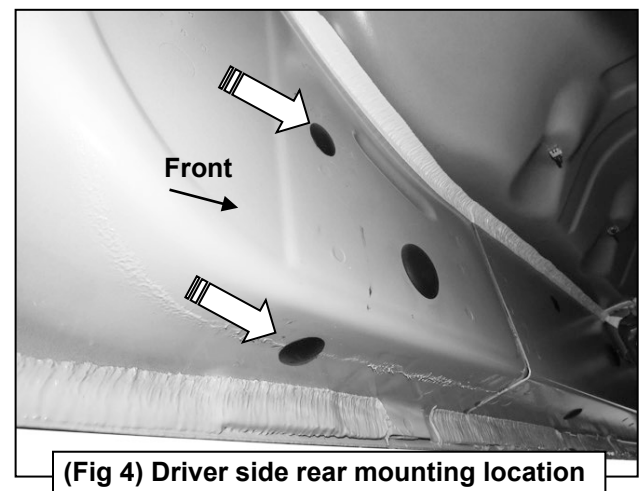
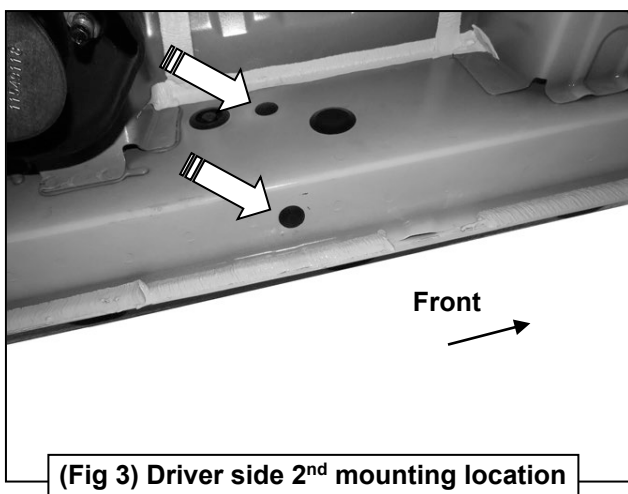
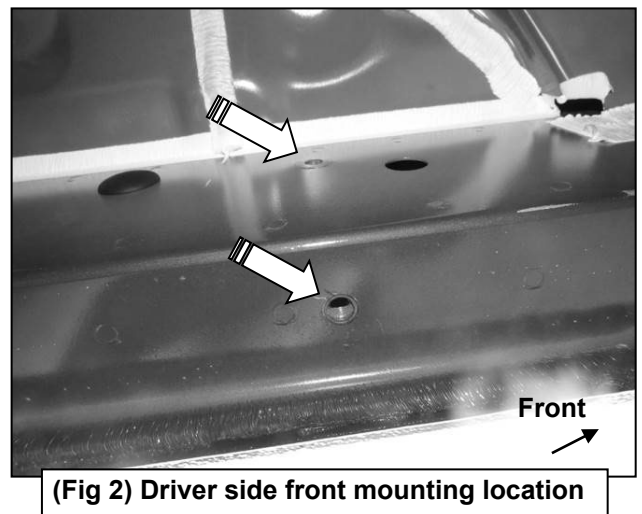
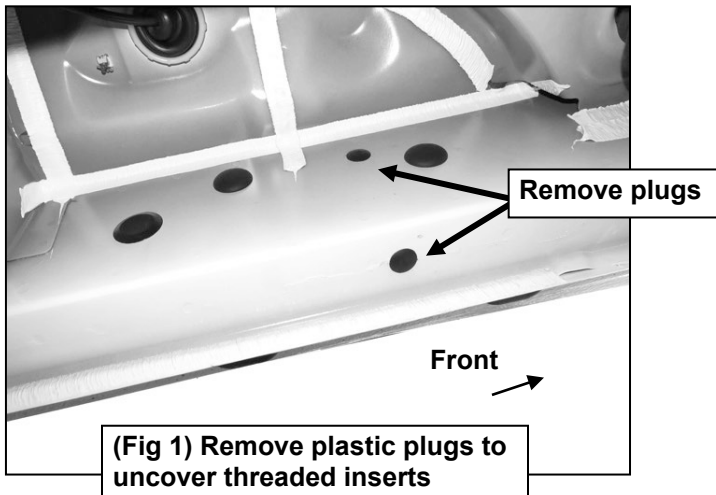
REMOVE CONTENTS FROM BOX. VERIFY ALL PARTS ARE PRESENT. READ INSTRUCTIONS CAREFULLY BEFORE STARTING INSTALLATION. ASSISTANCE IS RECOMMENDED.

1. Start the installation under the driver's side of the vehicle. Locate the 6 plugs along the bottom edge of the body. Mounting Brackets will bolt to the 1st, 2nd and 4th threaded mounting holes, **(Figures 1—4)**. Remove the plastic plugs from each mounting location. Directly above each threaded insert is a top mounting location on the side of the body panel. Hold a Bracket up in place to help determine the mounting holes to use along the body. **NOTE:** Thread an 8mm Hex Bolt into the threaded inserts to clear paint as required.
2. Select (1) Mounting Bracket. Starting at the front of the driver/left side, bolt the Mounting Bracket to the factory threaded holes with (2) 8mm Hex Bolts, (2) 8mm Lock Washers and (2) 8mm Flat Washers, **(Figure 5)**. Do not tighten hardware at this time.
3. Repeat **Steps 1 & 2** to install (2) Mounting Brackets on the remaining driver/left side mounting locations along the body panel.

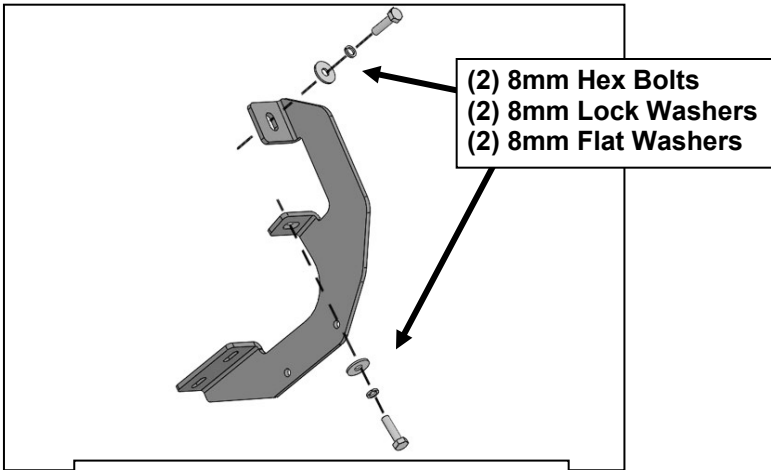
4. Select (1) Plastic Bracket Cover. Slide Plastic Cover over Bracket, **(Figure 6)**. Line up the (2) mounting holes in the Cover with the side holes in the Bracket. Insert (1) Plastic Clip into each hole and push center pin to expand Clip. Repeat this Step for all Brackets.
5. Select (1) Running Board. Place the Running Board on top of the Brackets. **IMPORTANT:** Do not slide, (front to back), the Running Board on the Brackets or damage to the finish may result. Locate the channel openings in the bottom of the Running Board. Select (6) 6mm T-Bolts, **(Figure 7)**. Insert the T-Bolts into the channels in the bottom of the Running Board closest to the Brackets, **(Figure 8)**. Lift the Running Board up and guide the studs through the Brackets.
6. Attach the Running Board to the Brackets with (6) 6mm Flat Washers, (6) 6mm Lock Washers and (6) 6mm Hex Nuts, **(Figure 9)**.
7. Level and adjust the Running Board and fully tighten all hardware.
8. Repeat **Steps 1—7** to install Running Board on the passenger/right side.
9. Do periodic inspections of the installation to make sure that all hardware is secure and tight.

To protect your investment: Wax this product after installing. Regular waxing is recommended to add a protective layer over the finish. Do not use any type of polish or wax that may contain abrasives that could damage the finish. Aluminum polish may be used to polish small scratches and scuffs on the finish. Mild soap may be used to clean Running Board.

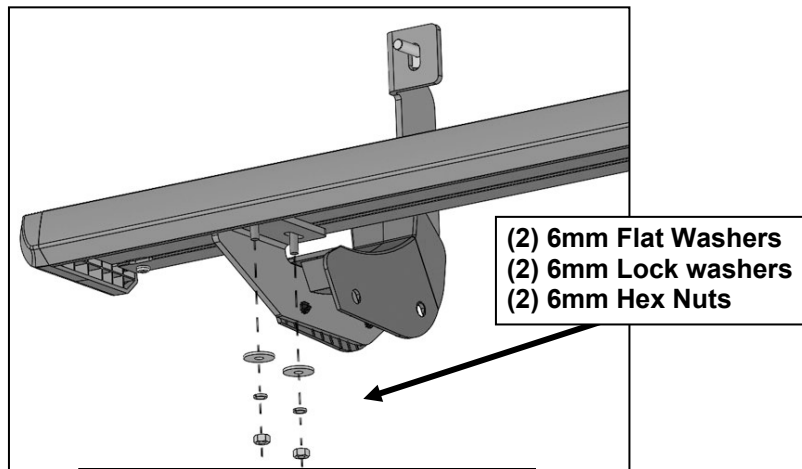
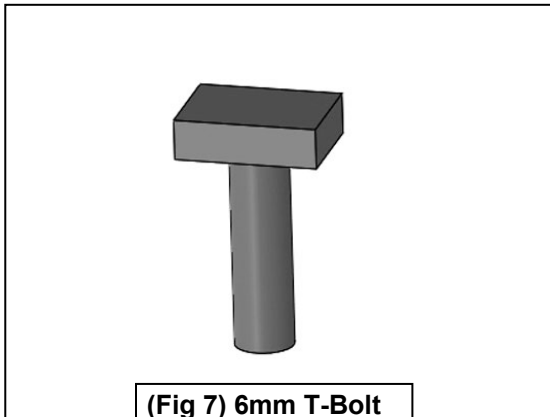
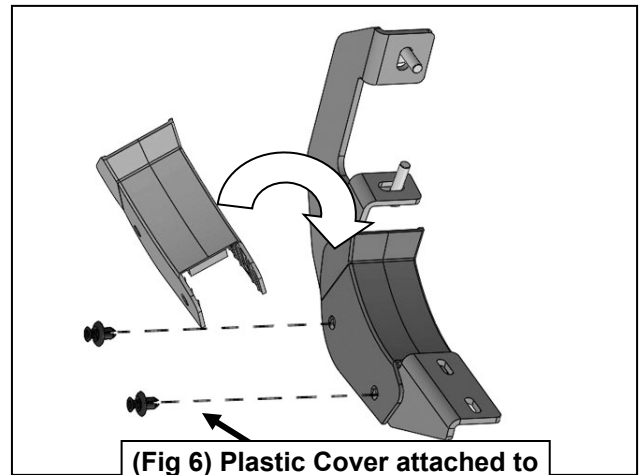
Driver/left side Installation Pictured



Driver/left side Installation Pictured



(Fig 5) Mounting Bracket illustration



(Fig 9) Running Board attached to Mounting Bracket illustrated

