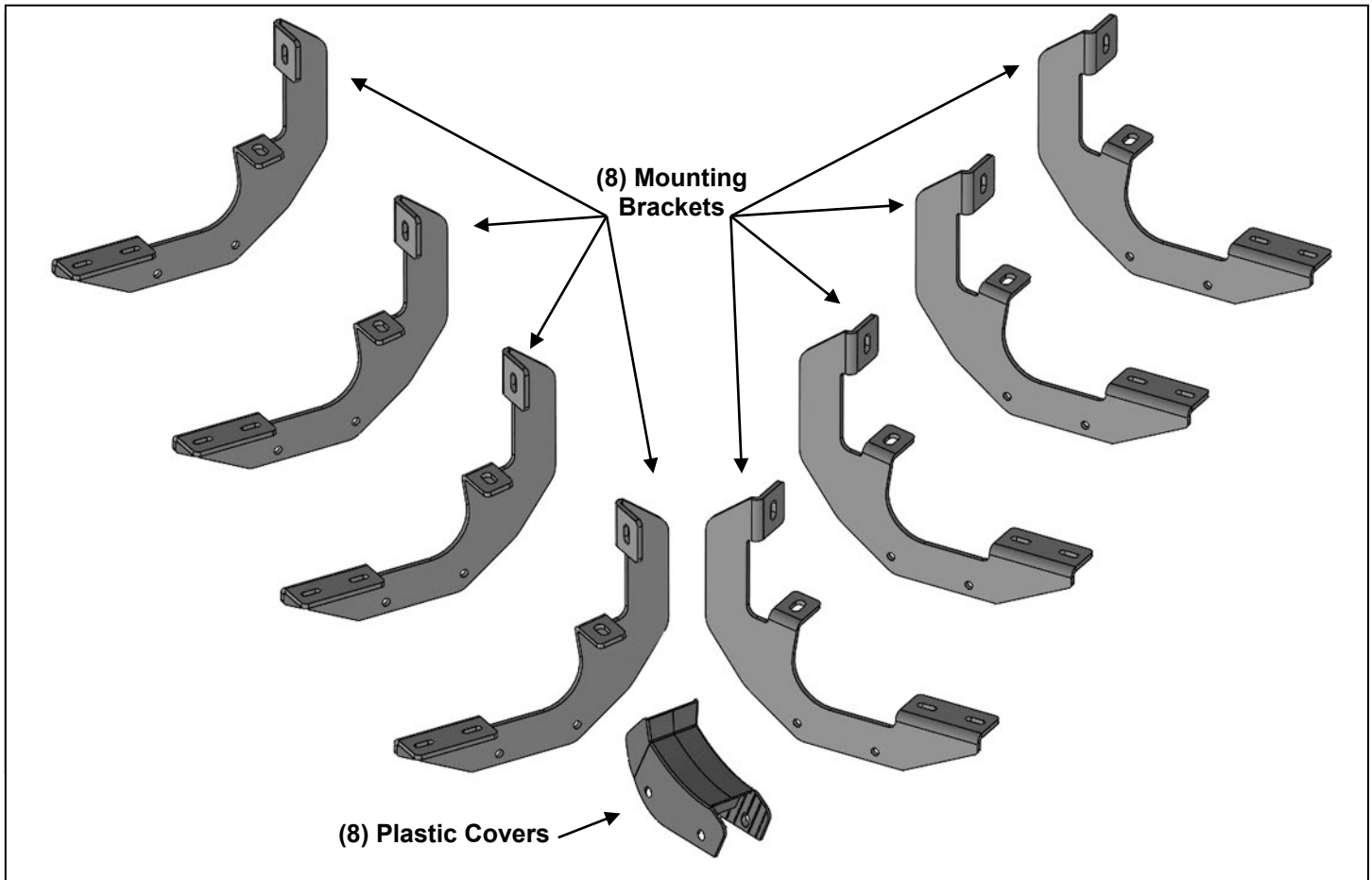


PARTS LIST:

2	I4 Running Boards	16	8mm x 24mm x 2mm Flat Washers
8	Mounting Brackets	16	6mm x 20mm T-Bolts
8	Plastic Bracket Covers	16	6mm x 22mm x 2mm Flat Washers
16	Retaining Clips (Plastic Covers)	16	6mm Lock Washers
16	8-1.25mm x 30mm Hex Bolts	16	6mm Hex Nuts
16	8mm Lock Washers		



PROCEDURE:

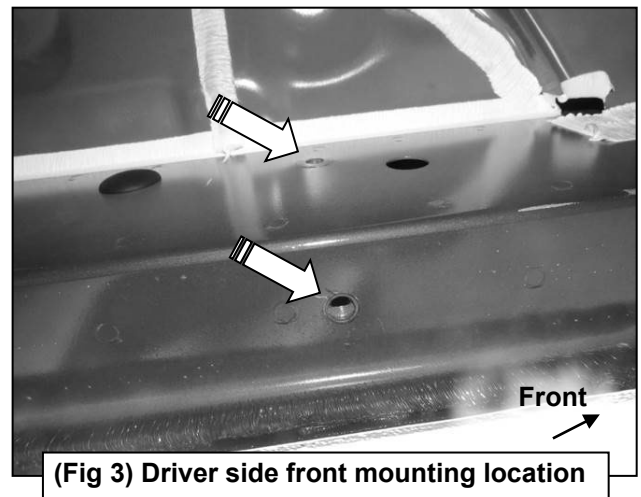
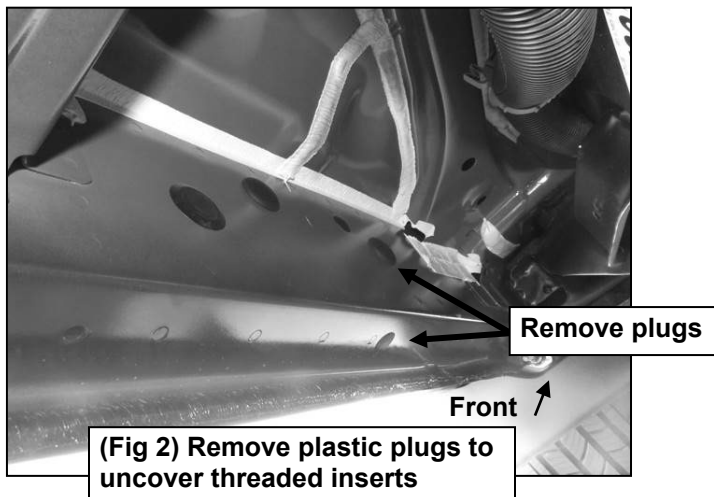
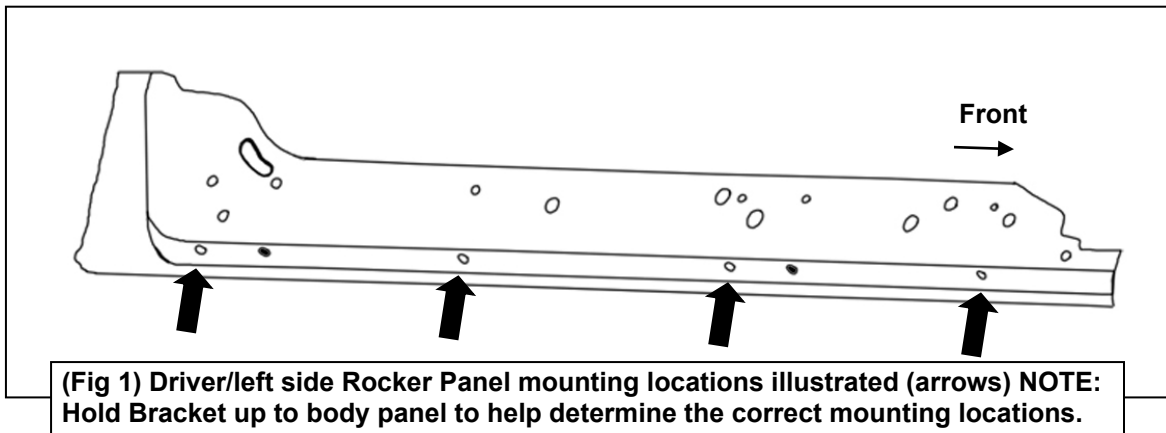
REMOVE CONTENTS FROM BOX. VERIFY ALL PARTS ARE PRESENT. READ INSTRUCTIONS CAREFULLY BEFORE STARTING INSTALLATION. ASSISTANCE IS RECOMMENDED.

1. Start the installation under the driver's side of the vehicle. Locate the 6 plugs along the bottom edge of the body. Mounting Brackets will bolt to the 1st, 3rd, 4th and 6th threaded mounting holes, **(Figures 1—6)**. Remove the plastic plugs from each mounting location. Directly above each threaded insert is a top mounting location on the side of the body panel. Hold a Bracket up in place to help determine the mounting holes to use along the body. **NOTE:** Thread an 8mm Hex Bolt into the threaded inserts to clear paint as required.
2. Select (1) Mounting Bracket. Starting at the front of the driver/left side, bolt the Mounting Bracket to the factory threaded holes with (2) 8mm Hex Bolts, (2) 8mm Lock Washers and (2) 8mm Flat Washers, **(Figure 7)**. Do not tighten hardware at this time.
3. Repeat **Steps 1 & 2** to install (3) Mounting Brackets on the remaining driver/left side mounting locations along the body panel.

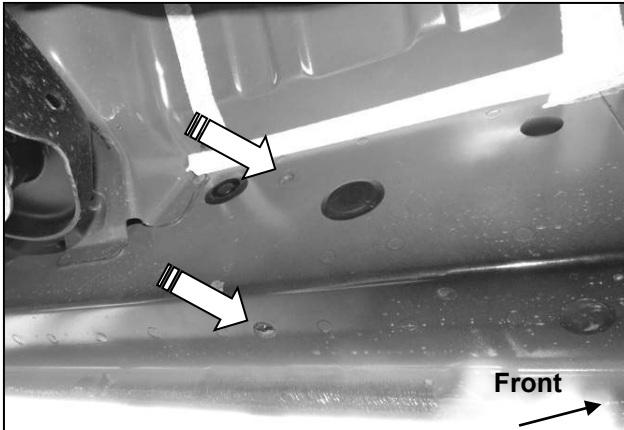
4. Select (1) Plastic Bracket Cover. Slide Plastic Cover over Bracket, **(Figure 8)**. Line up the (2) mounting holes in the Cover with the side holes in the Bracket. Insert (1) Plastic Clip into each hole and push center pin to expand Clip. Repeat this Step for all Brackets.
5. Select (1) Running Board. Place the Running Board on top of the Brackets. **IMPORTANT:** Do not slide, (front to back), the Running Board on the Brackets or damage to the finish may result. Locate the channel openings in the bottom of the Running Board. Select (6) 6mm T-Bolts, **(Figure 9)**. Insert the T-Bolts into the channels in the bottom of the Running Board closest to the Brackets, **(Figure 10)**. Lift the Running Board up and guide the studs through the Brackets.
6. Attach the Running Board to the Brackets with (8) 6mm Flat Washers, (8) 6mm Lock Washers and (8) 6mm Hex Nuts, **(Figures 11—13)**.
7. Level and adjust the Running Board and fully tighten all hardware.
8. Repeat **Steps 1—7** to install Running Board on the passenger/right side.
9. Do periodic inspections of the installation to make sure that all hardware is secure and tight.

To protect your investment: Wax this product after installing. Regular waxing is recommended to add a protective layer over the finish. Do not use any type of polish or wax that may contain abrasives that could damage the finish. Aluminum polish may be used to polish small scratches and scuffs on the finish. Mild soap may be used to clean Running Board.

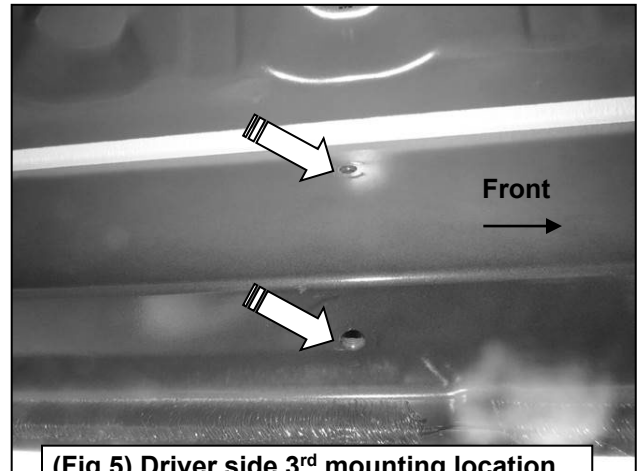
Driver/left side Installation Pictured



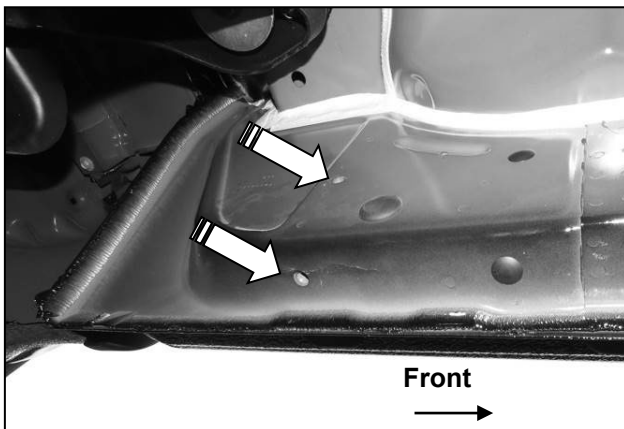
Driver/left side Installation Pictured



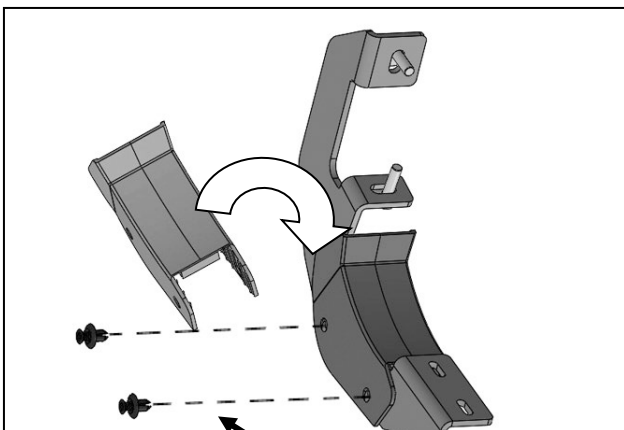
(Fig 4) Driver side 2nd mounting location



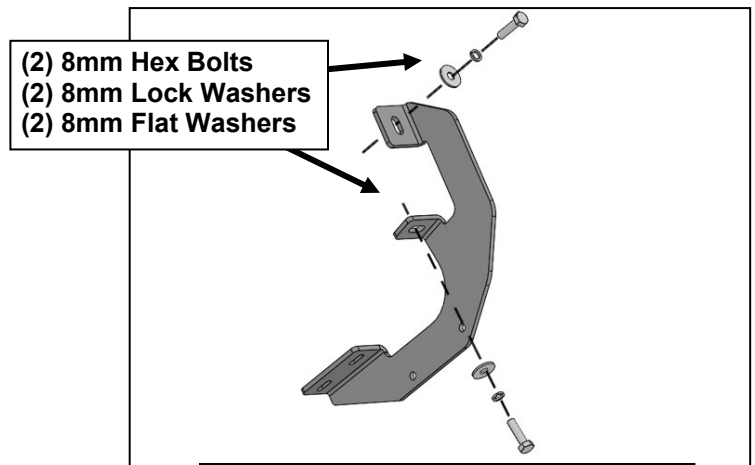
(Fig 5) Driver side 3rd mounting location



(Fig 6) Driver side rear mounting location

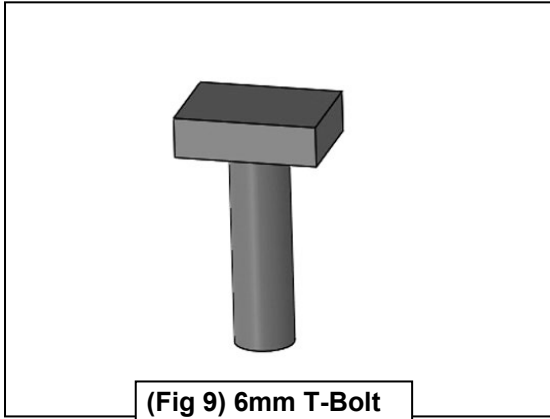


(Fig 8) Plastic Cover attached to Bracket with (2) Retaining Clips

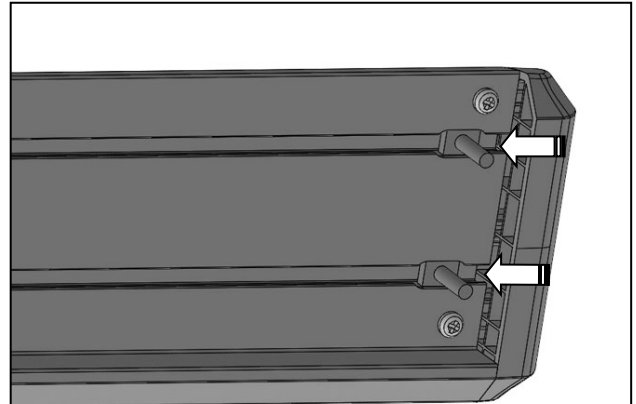


(Fig 7) Mounting Bracket illustration

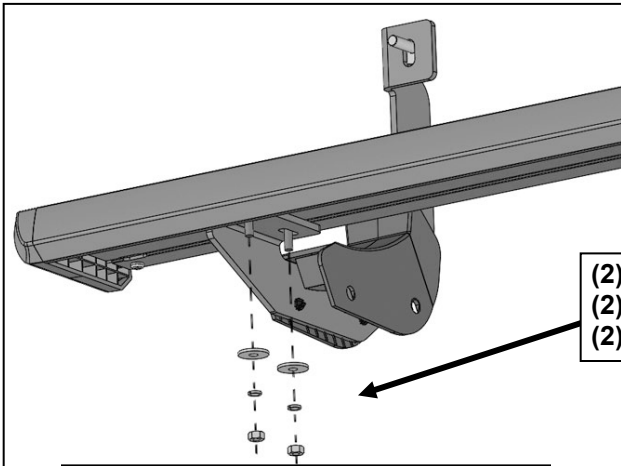
Driver/left side Installation Pictured



(Fig 9) 6mm T-Bolt

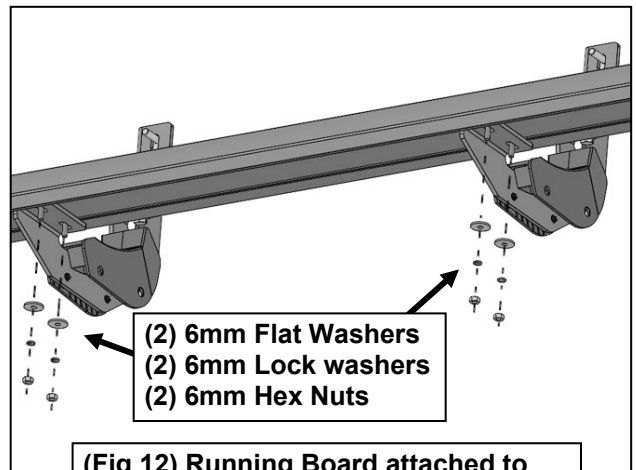


(Fig 10) Insert T-Bolts through the channel openings in the bottom of the Running Board



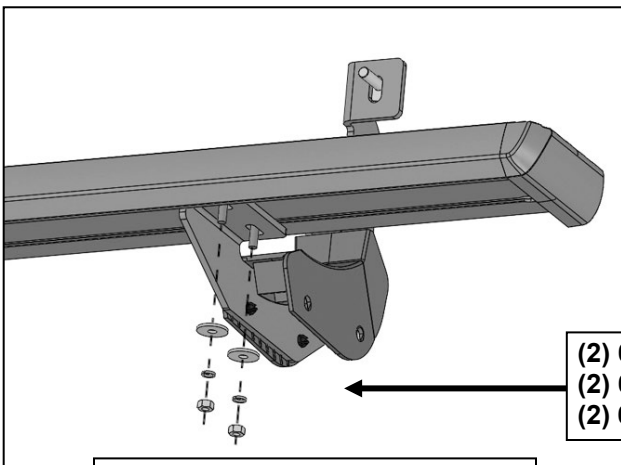
- (2) 6mm Flat Washers
- (2) 6mm Lock washers
- (2) 6mm Hex Nuts

(Fig 11) Running Board attached to Mounting Bracket illustrated



- (2) 6mm Flat Washers
- (2) 6mm Lock washers
- (2) 6mm Hex Nuts

(Fig 12) Running Board attached to 2nd & 3rd Mounting Brackets illustrated



- (2) 6mm Flat Washers
- (2) 6mm Lock washers
- (2) 6mm Hex Nuts

(Fig 13) Running Board attached rear Mounting Bracket illustrated