



TUBULAR DROP STEPS

2019-2023+ SILVERADO 1500 DOUBLE CAB (Excl. LD Model)

2020-2024+ SILVERADO 2500-3500 DOUBLE CAB

2019-2023+ SIERRA 1500 DOUBLE CAB (Excl. Limited Model)

2020-2024+ SIERRA 2500-3500 DOUBLE CAB

INSTALLATION INSTRUCTIONS

CONTENTS

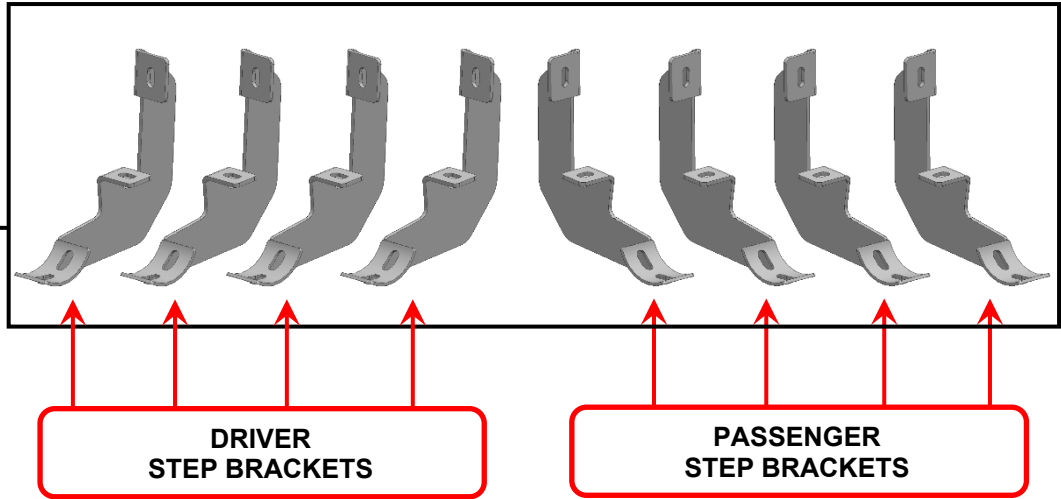
- (1) LH Side Step
- (1) RH Side Step
- (4) LH Step Brackets
- (4) RH Step Brackets
- (16) M8 x 30mm Hex Bolts
- (16) M8 x 24mm OD x 2mm Flat Washers
- (16) M8 Lock Washers
- (16) M8 x 25mm Combo Bolts

TOOLS REQUIRED

- 13mm Socket
- Ratchet

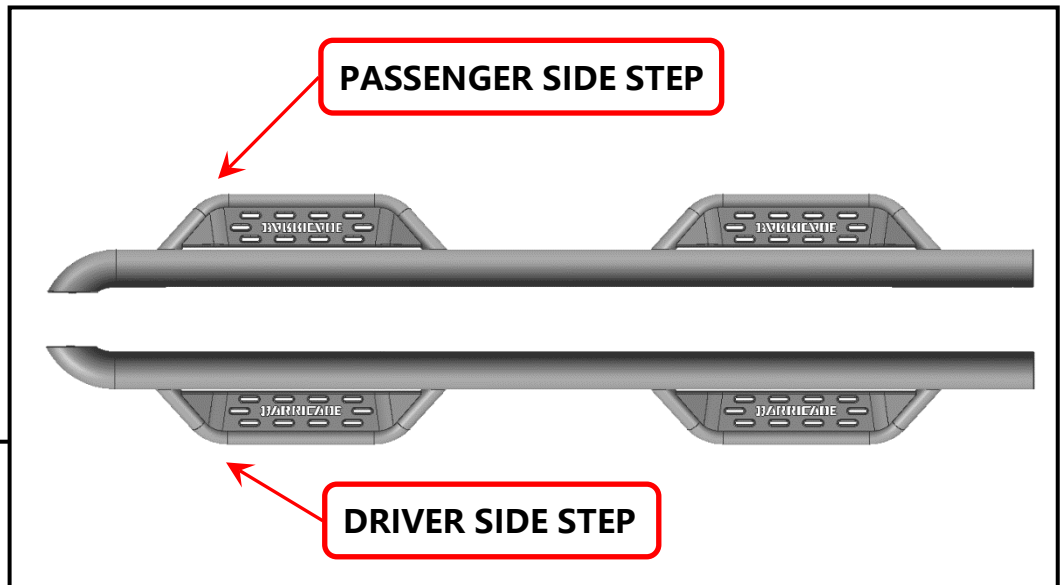
SKU # S166625
Edited: 08/21/2023

STEP 1



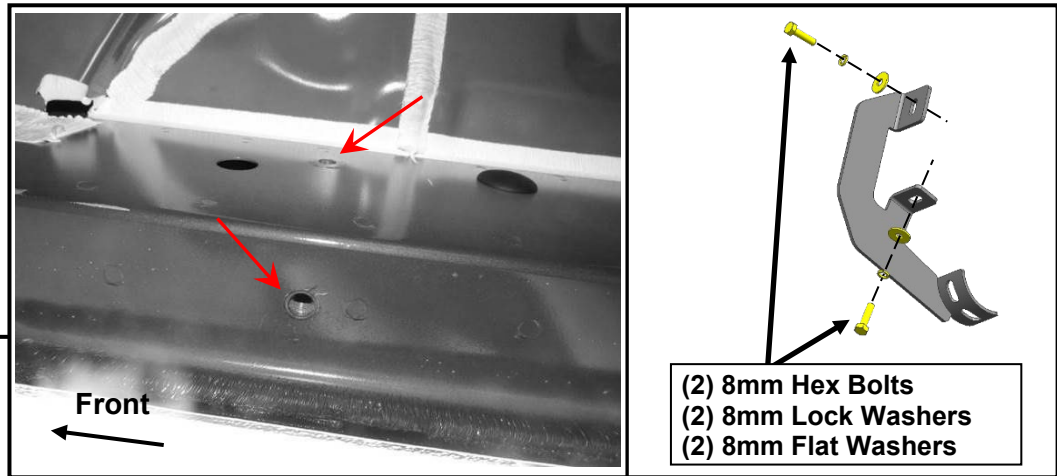
Identify each mounting bracket referencing the diagram above. **Notice:** The brackets can be used at any position along the same side of the vehicle.

STEP 2



Identify each side step by the curved portion of the step.

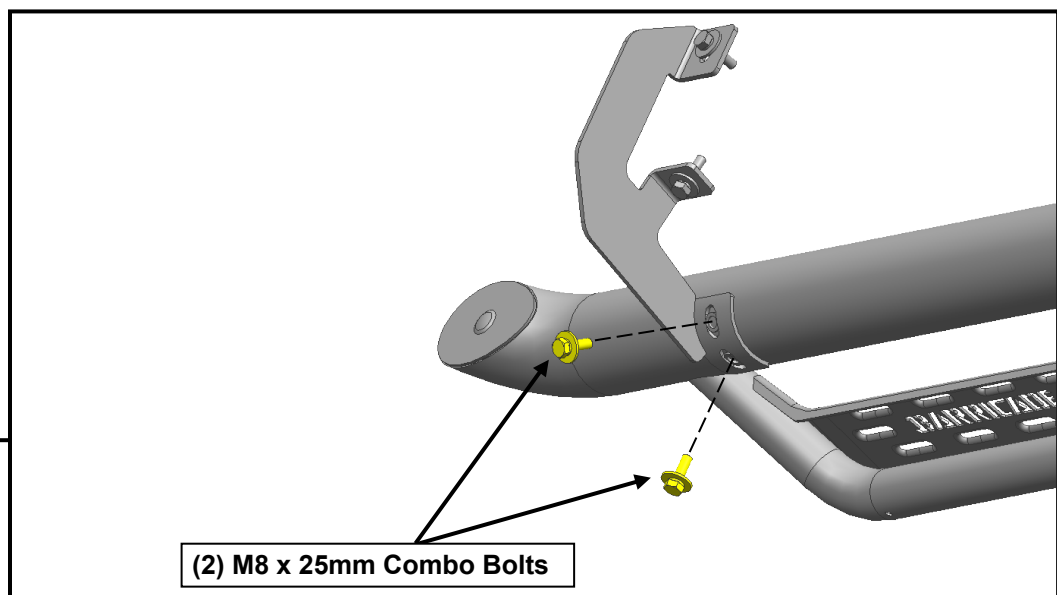
STEP 3



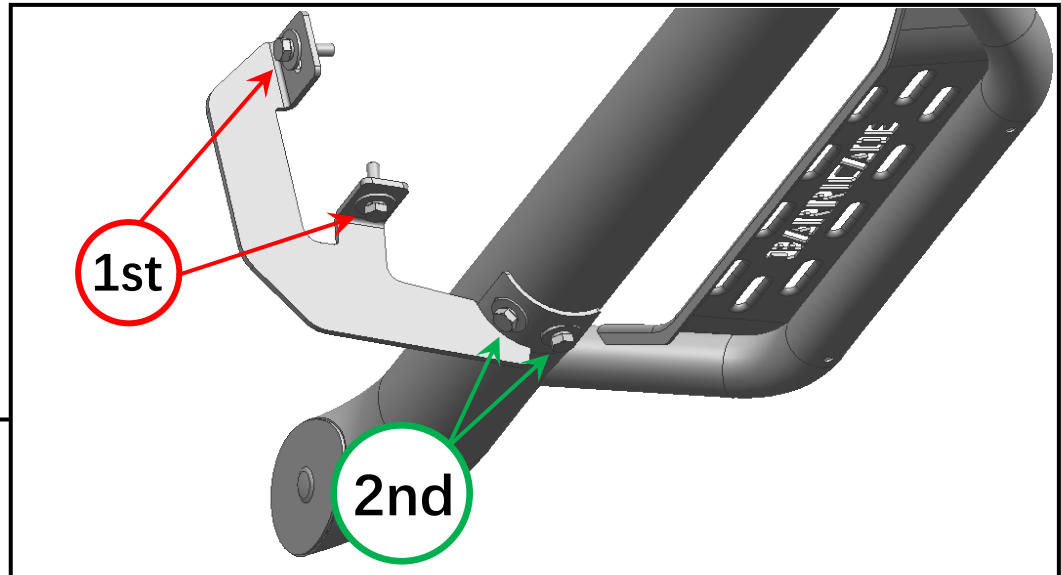
Begin installation toward the front of the Passenger/Right side of the vehicle.

Loosely fit the (1) Passenger step bracket to the vehicle threaded body hole using (2) M8 x 30mm hex bolt, (2) M8 lock washer, and (2) M8 flat washer. Do not fully tighten to allow for later adjustments. Repeat this step for all step brackets.

STEP 4



With all brackets loosely mounted to the vehicle, fit the side step onto the brackets, and loosely secure into place using (8) M8 x 25mm combo bolts.



STEP 5

Tighten the mounting brackets to the vehicle. Adjust the side step to the desired angle, and tighten the M8 combo bolts to secure the step into place. See photo for tightening order visual.

Repeat steps 1-5 for the remaining side step.

Installation is now complete.