



---

# 6-INCH RUNNING BOARDS

(2019-2023+ SILVERADO 1500 CREW CAB)

(2020-2024+ SILVERADO 2500-3500 CREW CAB)

(2019-2023+ SIERRA 1500 CREW CAB)

(2020-2024+ SIERRA 2500-3500 CREW CAB)

---

## INSTALLATION INSTRUCTIONS

### CONTENTS

---

- (1) LH Running Board
- (1) RH Running Board
- (8) Step Brackets
- (16) M8 x 30mm Hex Bolts
- (16) M8 x 24mm OD x 2mm Flat Washers
- (16) M8 Lock Washers
- (16) M8 x 25mm Combo Bolts

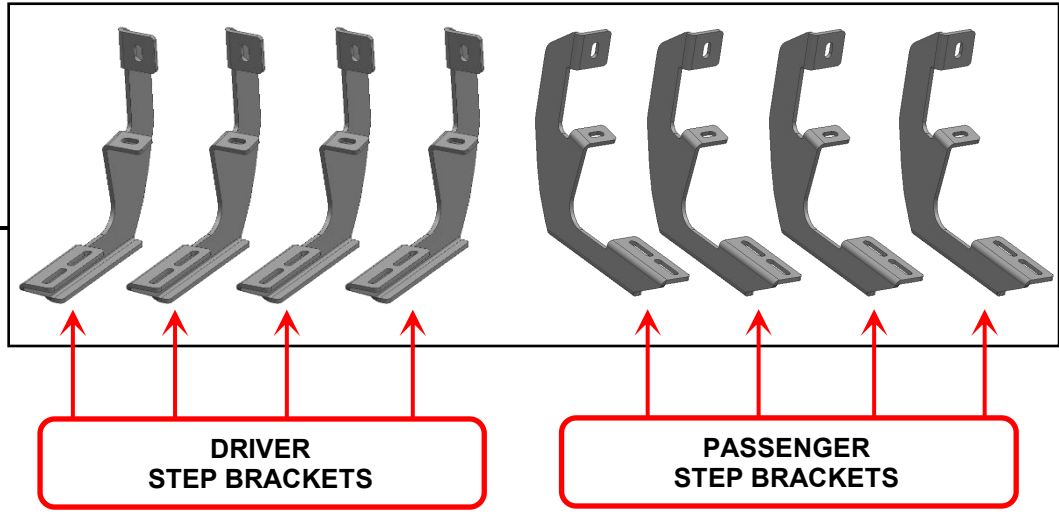
### TOOLS REQUIRED

---

- 13mm
- Sockets/Wrenches
- Ratchet

SKU # S171696  
Edited:11/24/2023

## STEP 1

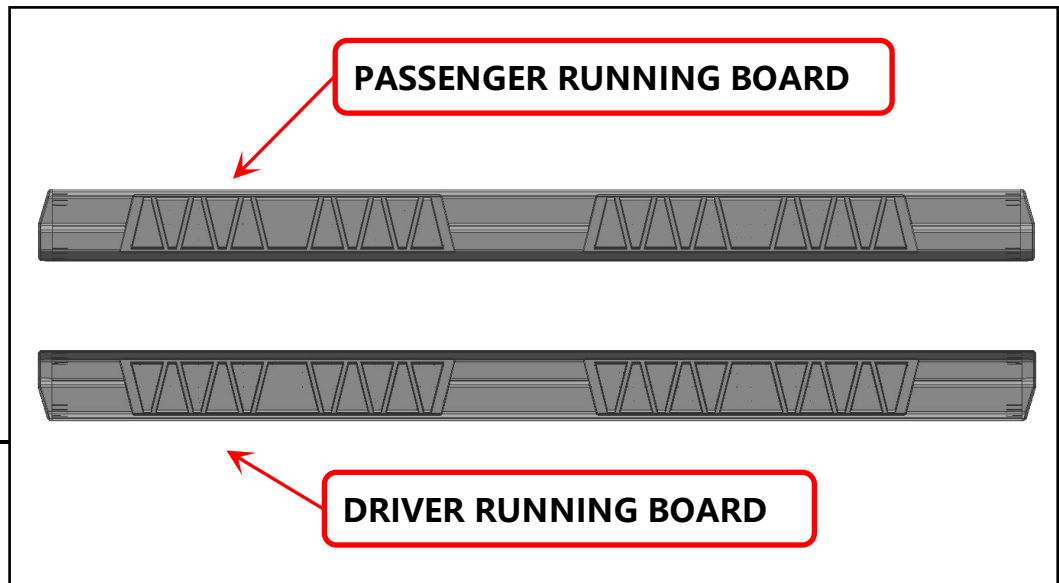


Mounting Brackets are the same. Please identify each mounting bracket using the engraved location identifier. **Notice: The brackets can be used at any position of the vehicle.**

DF: Driver Front  
DC: Driver Center  
DC: Driver Center  
DR: Driver Rear

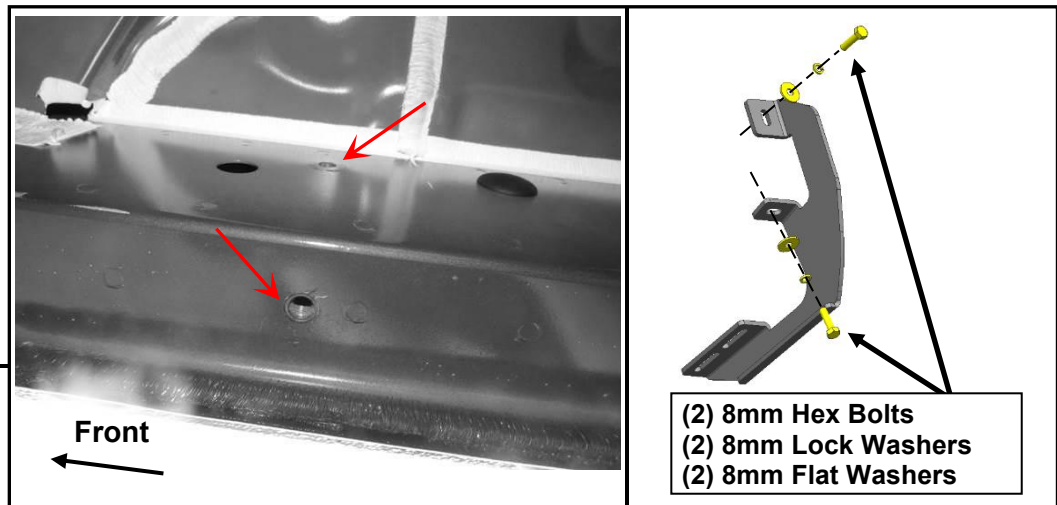
PF: Passenger Front  
PC: Passenger Center  
PC: Passenger Center  
PR: Passenger Rear

## STEP 2



Identify each side step by the front of the Running Board. **Notice: "D" for Driver/Left Side; "P" for Passenger/Right Side.**

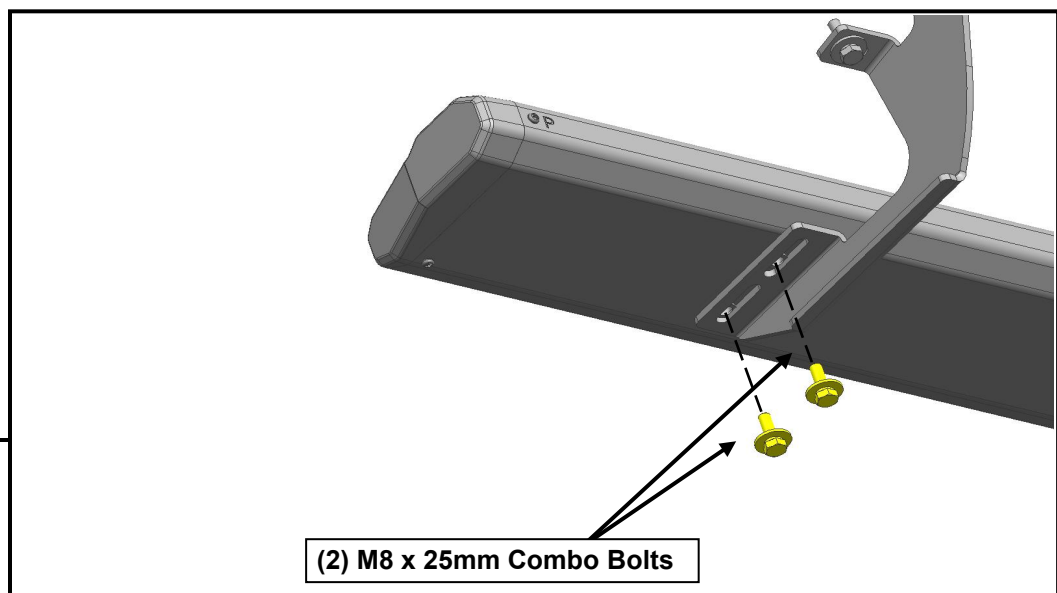
## STEP 3



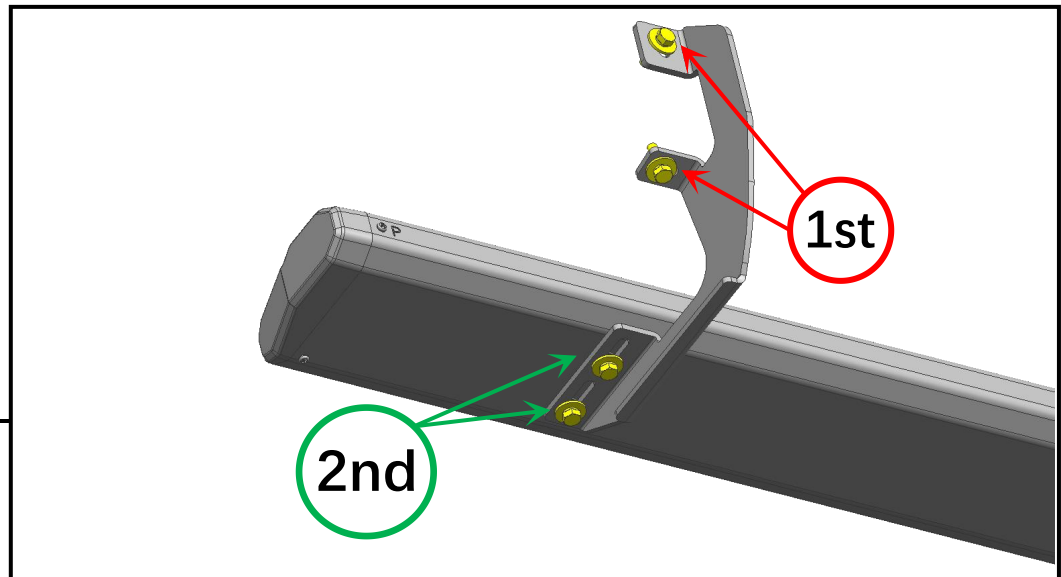
Start installation toward the front of the Passenger/Right side of the vehicle.

Loosely fit the (1) bracket to the vehicle threaded body hole using (2) M8 x 30mm hex bolts, (2) M8 lock washers, and (2) M8 flat washers. Do not fully tighten to allow for later adjustments. Repeat this step for all step brackets.

## STEP 4



With all brackets loosely mounted to the vehicle, fit the Passenger/Right Running Board onto the brackets, and loosely secure into place using (8) M8 x 25mm combo bolts.



---

**STEP 5**

Tighten the mounting brackets to the vehicle. Adjust the Running Board to the desired angle, and tighten the M8 combo bolts to secure the step into place. See photo for tightening order visual.

Repeat steps 1-5 for the remaining Running Board.

Installation is now complete.