

# **BARRICADE**

## **INSTALLATION INSTRUCTIONS**

**Manual Corner Step**

**1999 - 2007 Chevrolet Silverado 1500/2500/3500**

**1999 - 2007 GMC Sierra 1500/2500/3500**

**(Excl. Short & Standard Bed)**

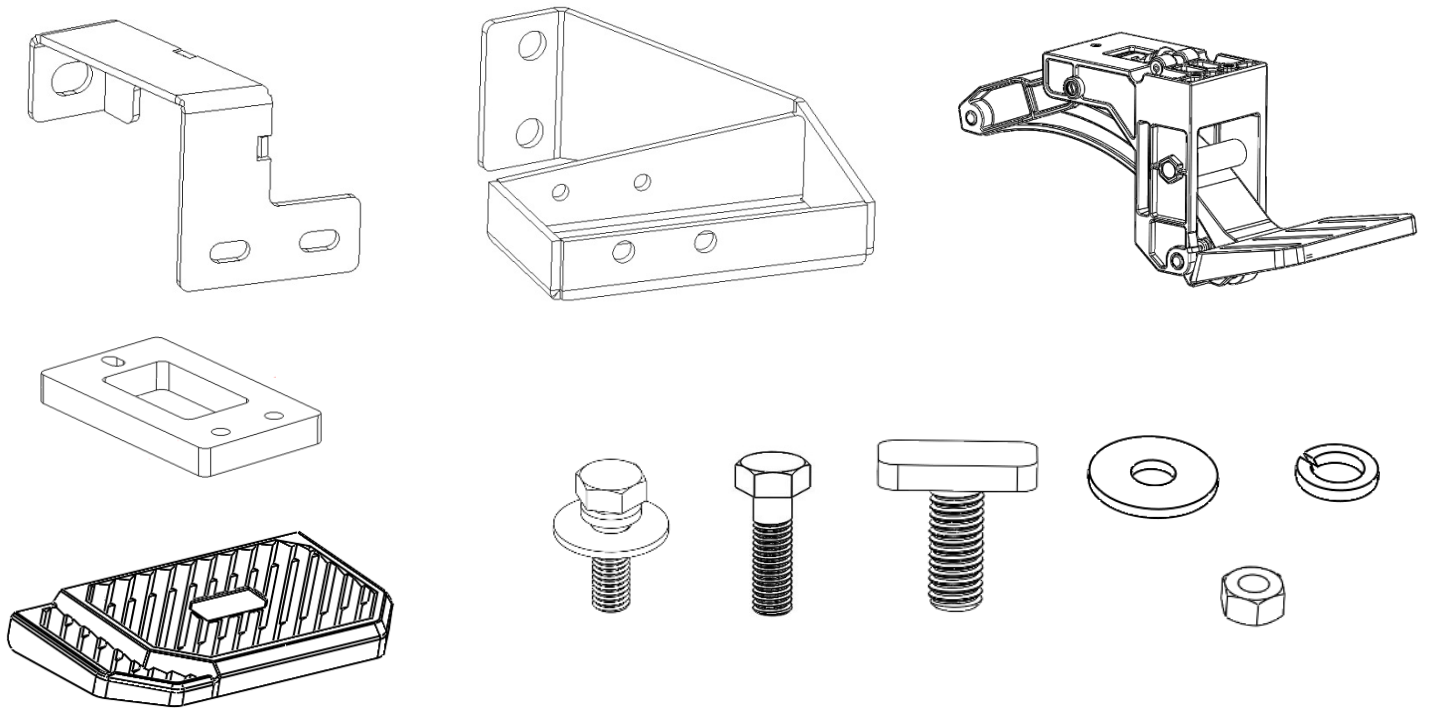
**SKU # S216002**

1999 - 2007 Chevrolet Silverado 1500/2500/3500(Excl. Short & Standard Bed)  
 1999 - 2007 GMC Sierra 1500/2500/3500(Excl. Short & Standard Bed)  
 Manual Corner Step – SKU # S216002

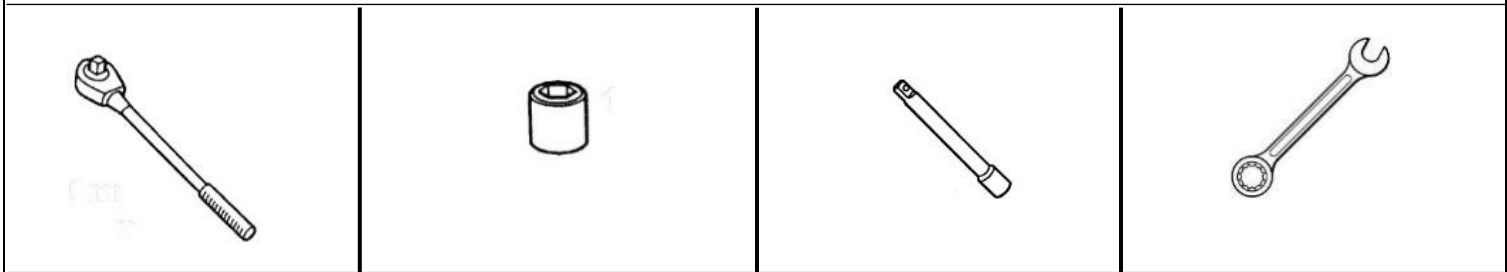
## INSTALLATION INSTRUCTIONS

### PARTS LIST:

Qty.	Description	Qty.	Description
1	Linkage Arm Assembly	2	12mm Hex Nuts
1	Step Pad	2	12mm x 24mm x 2.5mm Flat Washers
1	Mounting Bracket	1	10mm x 30mm x 2.5mm Flat Washers
1	Support Bracket	1	10mm Lock Washer
7	8mm x 24mm x 2mm Flat Washers	1	10mm x 40mm Hex Bolts
4	8mm x 20mm T-Bolts	2	Plastic Retainers
4	8mm x 25mm Combo Bolts	1	Double Bolt Plate (12mm x 50mm)
1	8mm x 20mm Hex Bolt	2	8mm x 45mm Combo Bolts
4	8mm Nylon Lock Nuts	1	8mm x 40mm Hex Bolt
3	8mm Lock Washer	1	Bracket Spacer
2	12mm Lock Washers		

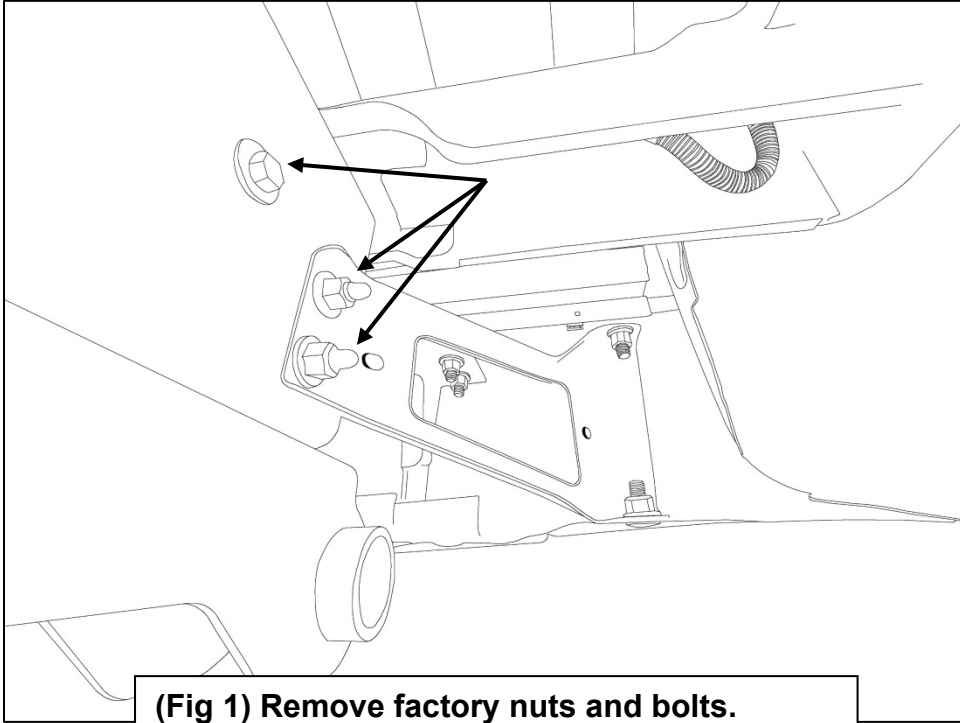


### TOOLS REQUIRED



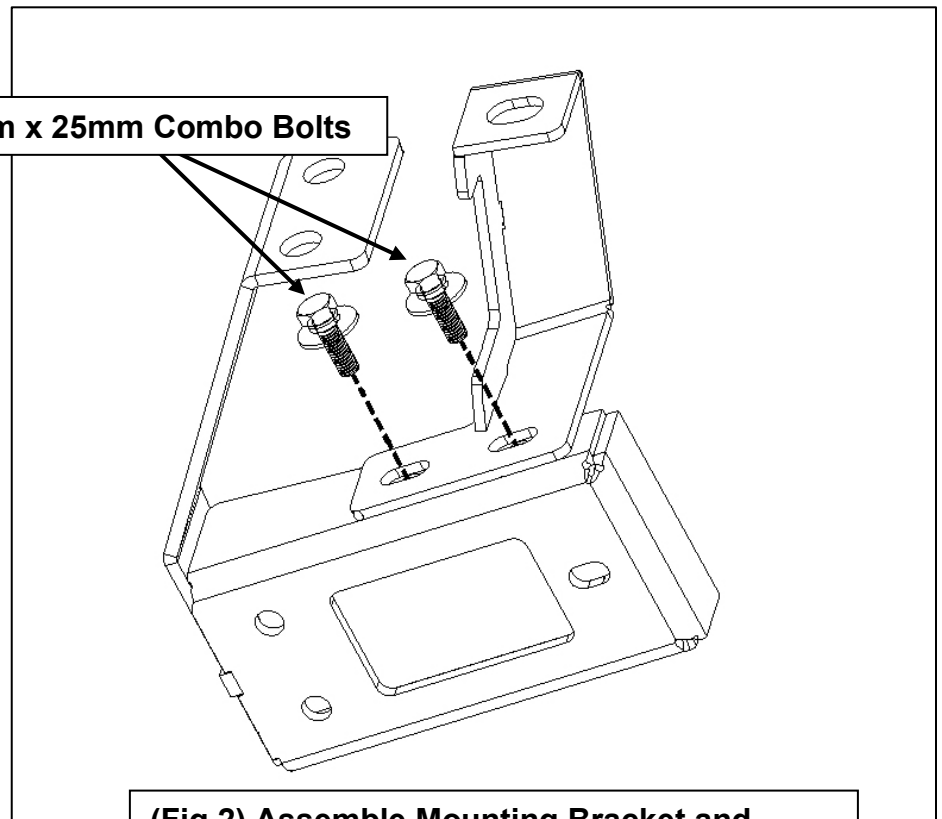
**1**

Follow Figs. 1 – 8 to install Corner Step on the Driver Side Rear Bumper Frame.



**(Fig 1) Remove factory nuts and bolts.  
Breaker bar may be necessary to loosen.**

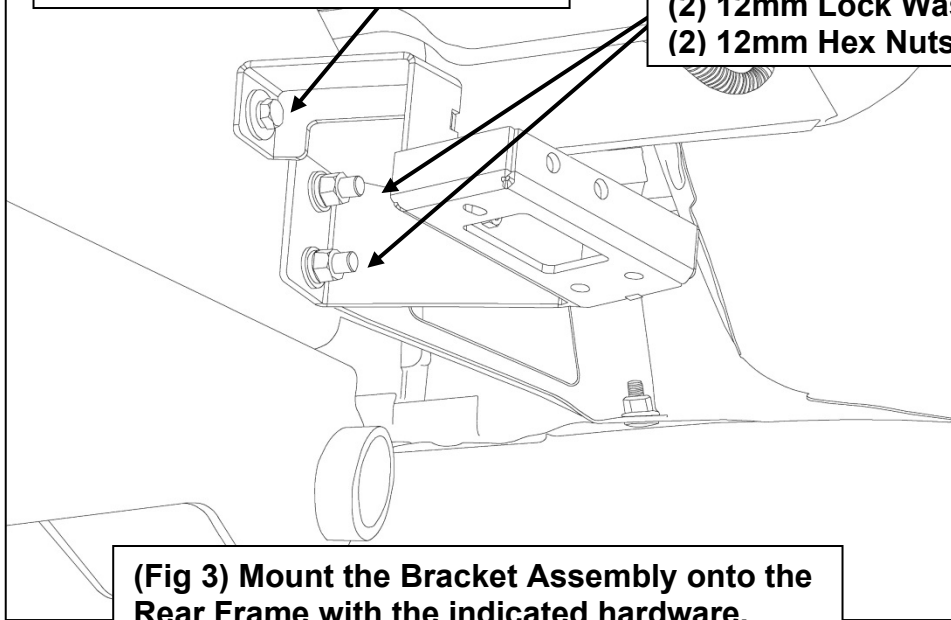
**(2) 8mm x 25mm Combo Bolts**



**(Fig 2) Assemble Mounting Bracket and  
Support Bracket with indicated hardware.**

- (1) 10mm x 30mm Flat Washer
- (1) 10mm Lock Washer
- (1) 10mm x 40mm Hex Bolt

- (1) Double Bolt Plate
- (2) Plastic Retainers
- (2) 12mm x 24mm Flat Washers
- (2) 12mm Lock Washers
- (2) 12mm Hex Nuts

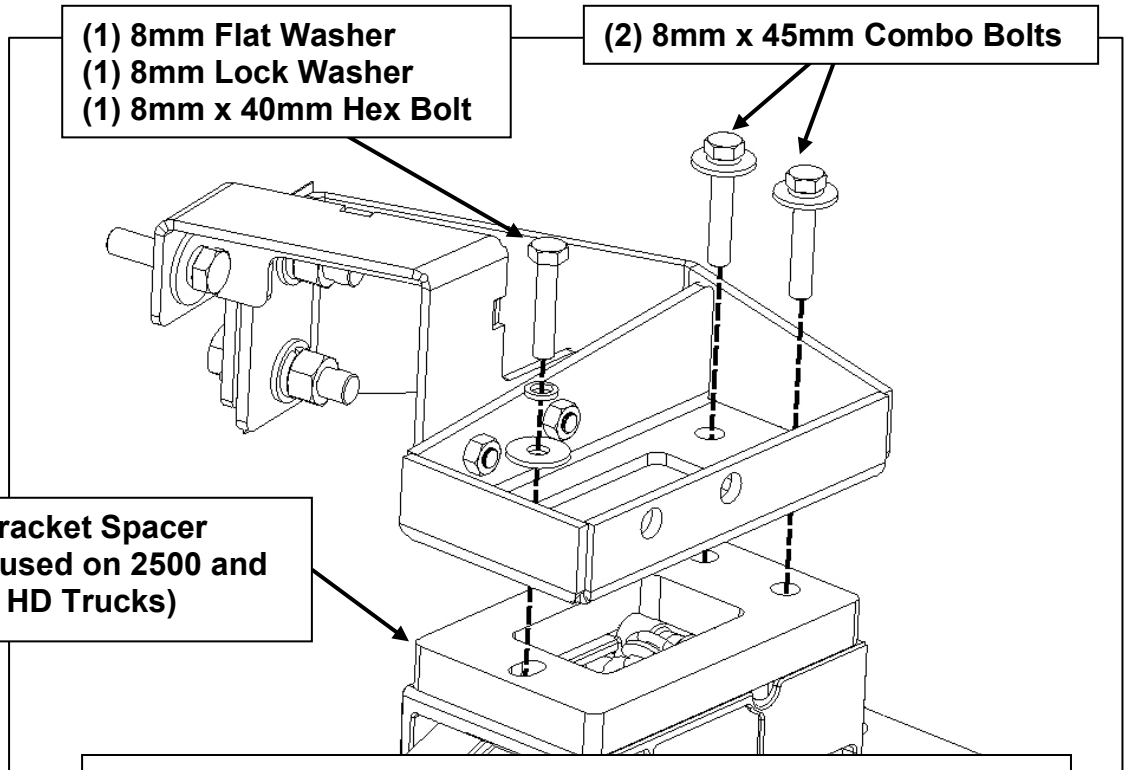


**(Fig 3) Mount the Bracket Assembly onto the Rear Frame with the indicated hardware.**

- (1) 8mm Flat Washer
- (1) 8mm Lock Washer
- (1) 8mm x 40mm Hex Bolt

- (2) 8mm x 45mm Combo Bolts

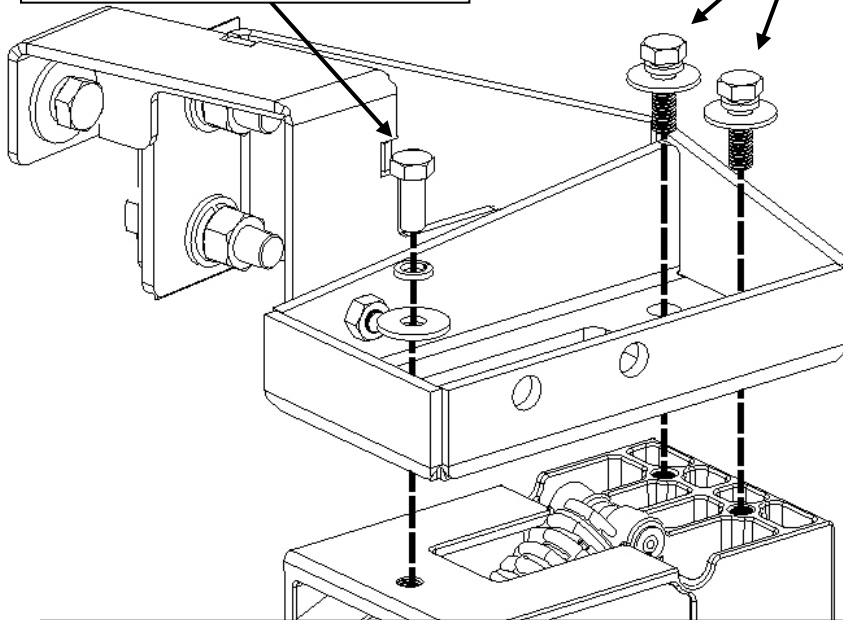
- (1) Bracket Spacer  
(Not used on 2500 and 3500 HD Trucks)



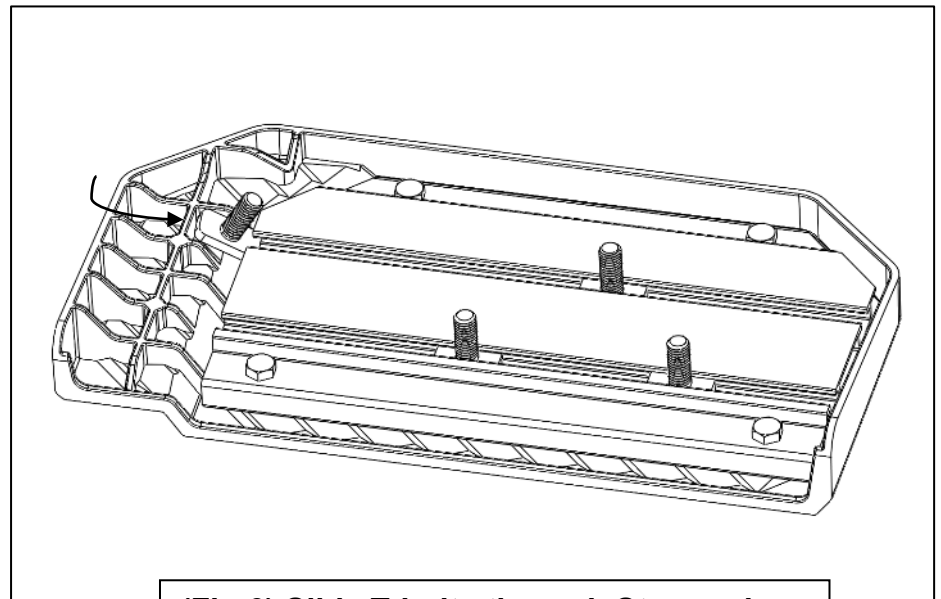
**(Fig 4) For 1500 Models, assemble Linkage Arm Assembly onto Mounting Bracket with indicated hardware. (Go to Fig 5 for 2500/3500 Models)**

- (1) 8mm Flat Washer
- (1) 8mm Lock Washer
- (1) 8mm x 20mm Hex Bolt

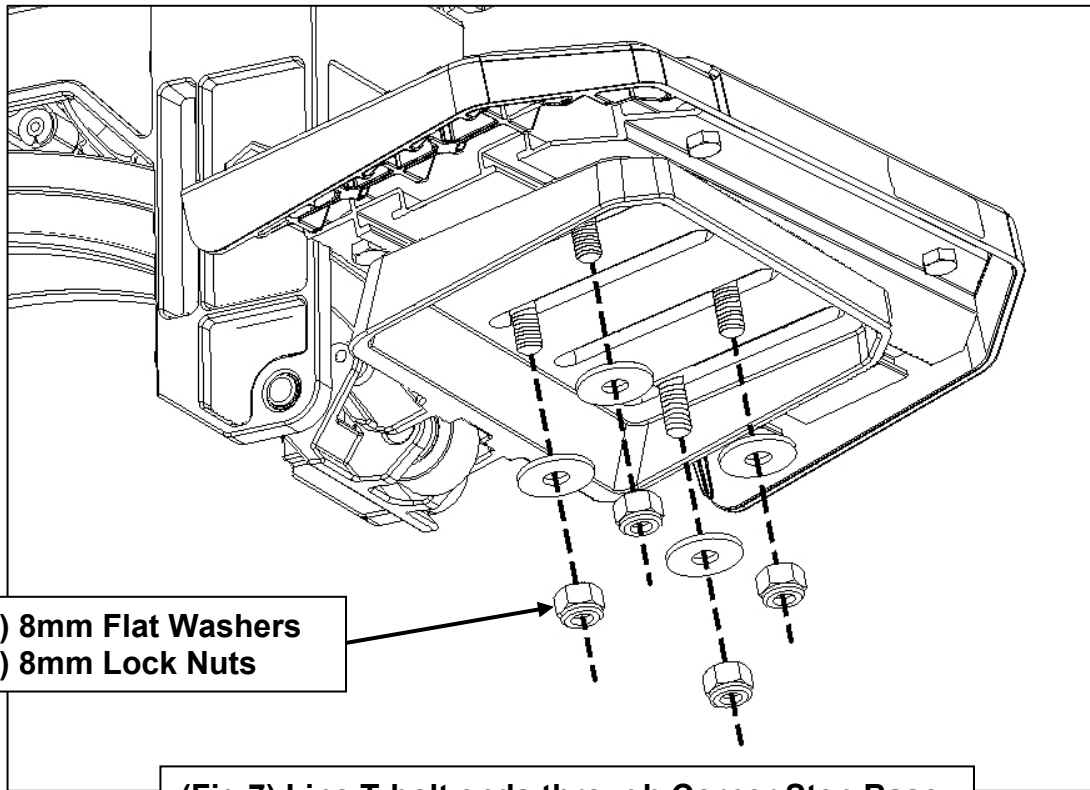
- (2) 8mm x 25mm Combo Bolts



**(Fig 5) For 2500/3500 Models, assemble Linkage arm assembly onto Mounting Bracket with indicated hardware. (Skip to Fig 6, if your vehicle is the 1500 Model)**

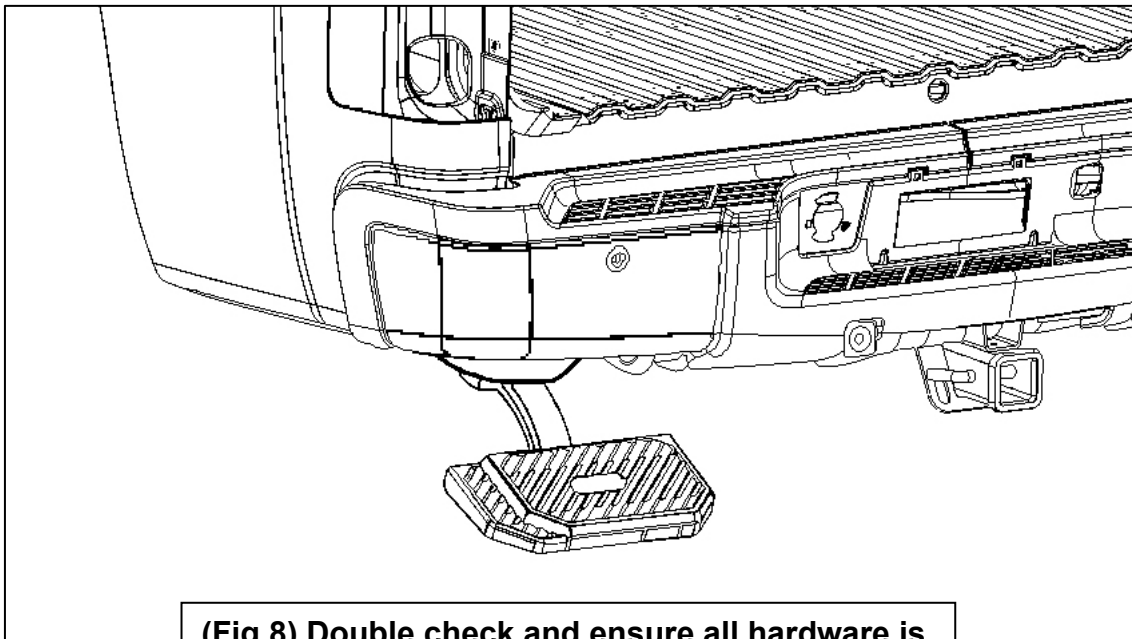


**(Fig 6) Slide T-bolts through Step under channels, two T-bolts per channel.**



**(4) 8mm Flat Washers  
(4) 8mm Lock Nuts**

**(Fig 7) Line T-bolt ends through Corner Step Base component slots. Fasten Step onto Step Component and adjust to preference.**



**(Fig 8) Double check and ensure all hardware is tightened. Installation is complete.**