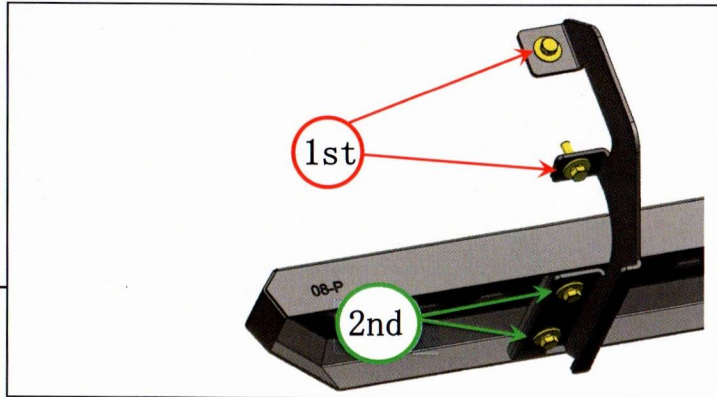


BARRICADE



STEP 5

Tighten the mounting brackets to the vehicle. Adjust the running board to the desired angle, and tighten the bolts to secure the step into place. See photo for tightening order visual.

Repeat steps 1-5 for the remaining running board.

Installation is now complete.

BARRICADE

INCLINE HD RUNNING BOARDS

(2019-2025+ SILVERADO 1500 CREW CAB)
(2020-2025+ SILVERADO 2500-3500 CREW CAB)
(2019-2025+ SIERRA 1500 CREW CAB)
(2020-2025+ SIERRA 2500-3500 CREW CAB)

INSTALLATION INSTRUCTIONS

CONTENTS

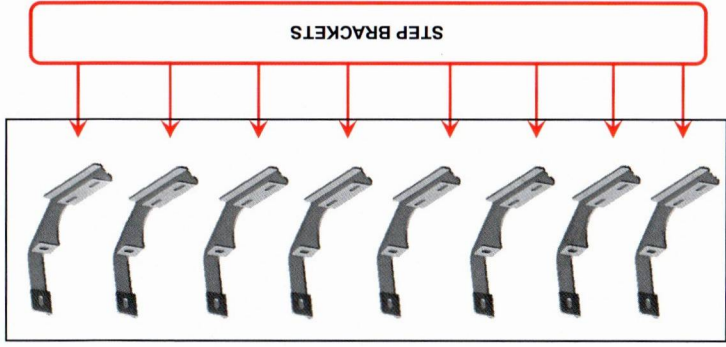
- (1) LH Running Board
- (1) RH Running Board
- (8) Step Brackets
- (16) M8 x 30mm Hex Bolts
- (16) M8 x 24mm OD x 2mm Flat Washers
- (16) M8 Lock Washers
- (16) M8 x 25mm Combo Bolts

TOOLS REQUIRED

- 13mm
- Sockets/Wrenches
- Ratchet

SKU # S218498
Edited: 11/12/2025

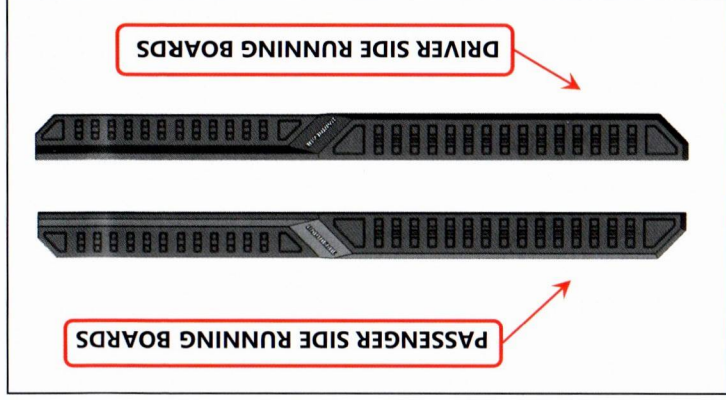
STEP 1



Please identify each mounting bracket using the engraved location identifier. Notice: The Front/Center/Rear(DF/DC/PF/PC/DR/PR) brackets are the same.

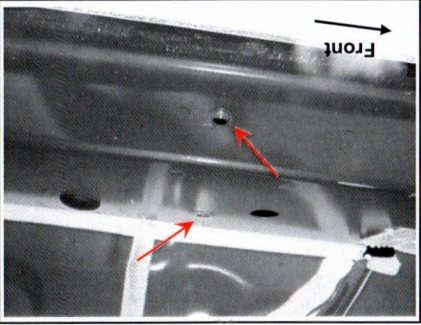
DF: Driver Front
DC: Driver Center
DR: Driver Rear
PF: Passenger Front
PC: Passenger Center
PR: Passenger Rear

STEP 2



Identify each running board by identifier on the front. Notice: "D" for Driver/Left Side; "P" for Passenger/Right Side.

STEP 3

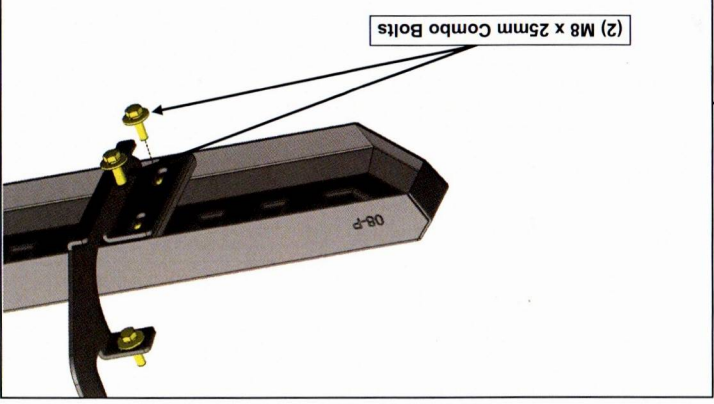


(2) 8mmx 30mm Hex Bolts
(2) 8mm Lock Washers
(2) 8mm Flat Washers

Start installation toward the front of the Passenger/Right side of the vehicle.

Loosely fit the (1) Passenger step bracket to the vehicle threaded body hole using (2) M8 x 30mm hex bolts, (2) M8 lock washers, and (2) M8 flat washers. Do not fully tighten to allow for later adjustments. Repeat this step for all step brackets.

STEP 4



With all brackets loosely mounted to the vehicle, fit the running board onto the front bracket, and loosely secure into place using (2) M8 x 25mm combo bolts. Repeat the step for other (3) PS step brackets.