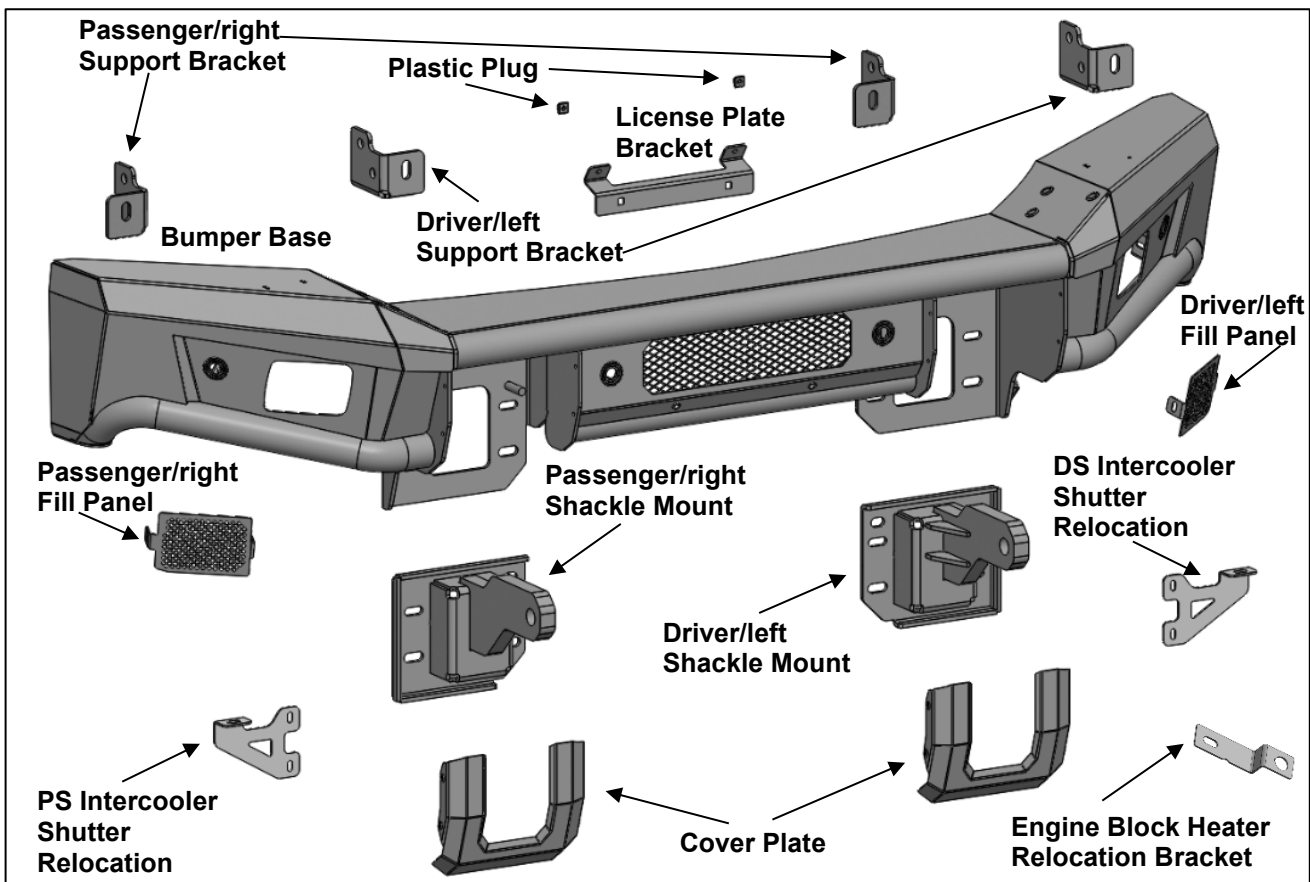




S221315/S221316 HD4 LD FRONT BUMPER  
 19-21 CHEVY SILVERADO 1500 (INCLUDES 22 "LTD", EXCLUDES 19 "LD")  
**Installation Instructions**

**PARTS LIST:**

Qty	Item Description	Qty	Item Description
1	HD4 LD Front Bumper	8	10mm x 27mm OD x 3mm Large Flat Washers
1	Driver/left Shackle Mount	6	10mm Lock Washers
1	Passenger/right Shackle Mount	1	10mm Nylon Lock Nut
1	Driver/left Support Bracket	2	8-1.25mm x 25mm Hex Bolts
1	Passenger/right Support Bracket	2	8mm x 24mm OD x 2mm STD Flat Washers
1	Driver/left Shutter Relocation Bracket	2	8mm Lock Washers
1	Passenger/right Shutter Relocation Bracket	2	8mm Clips Nuts
1	Block Heater Relocation Bracket	4	6-1.0mm x 25mm Hex Bolts
2	U – Cover Plates	14	6-1.0mm x 20mm Button Head Combo Bolts
1	Driver/left Outer Mesh Panel	8	6mm x 18mm OD x 1.6mm Flat Washers
1	Passenger/right Outer Mesh Panel	4	6mm Nylon Lock Nuts
1	License Plate Bracket	4	6mm Flange Nuts
2	Plastic Plugs for license plate mount	1	S4 Allen Wrench
8	M12 Bolt Plates	8	4mm x 15mm Flat Head Self Tapping Screws
4	12-1.75mm x 50mm Hex Bolts	4	Sensor Hole Plugs
16	12mm x 32mm OD x 3mm Large Flat Washers	4	Sensor Retaining Caps
2	12mm x 24mm x 2.5mm STD Flat Washers	4	20mm x 10mm Foam Spacers
2	12mm Lock Washers	4	15.5mm x 25mm OD x 2mm Foam Washers
12	12mm Nylon Lock Nuts	2	Parking Sensor Wire Extension Harnesses
2	12mm Hex Nuts	1	Sensor Cover Kit
7	10-1.5mm x 40mm Hex Bolts	10	200mm Nylon Ties



**TOOLS REQUIRED**



**Allen Wrench**



**Torx Wrench**



**Ratchet**



**Socket Set**

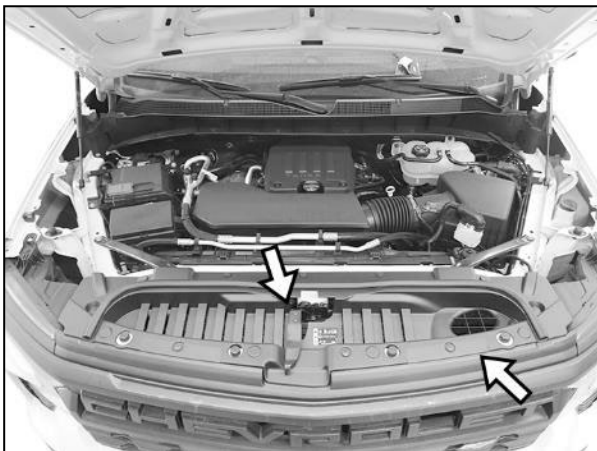


**Extensions**



**Wrench**

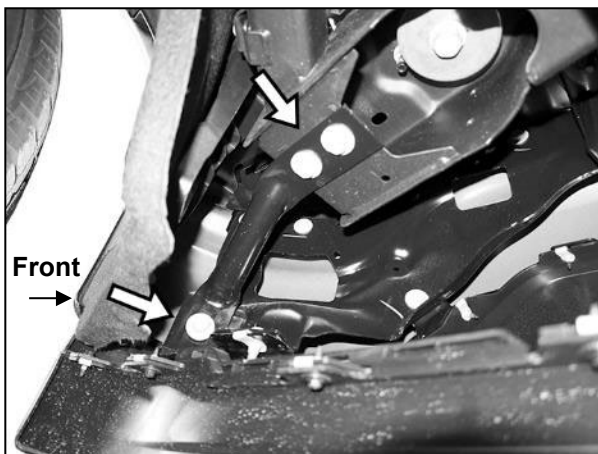
- 1** Follow (Fig. 1 -15) to remove factory Bumper and install additional hardware to relocate Intercooler Shutter (if equipped). Ensure Shutter is level before tightening hardware.



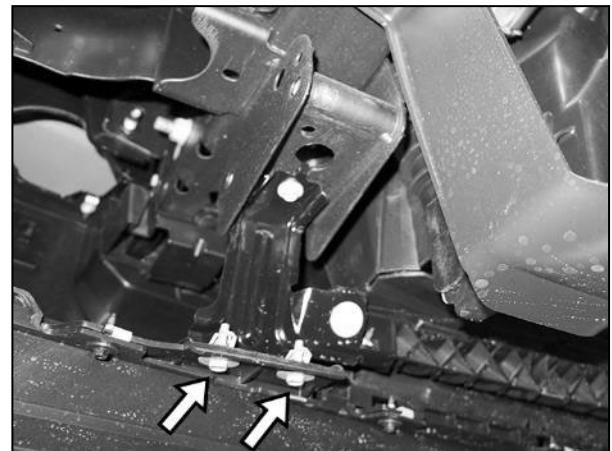
**(Fig. 1) Remove hood release handle and plastic cover.**



**(Fig. 2) Remove hardware attaching grille. Firmly pull grille straight out from vehicle**

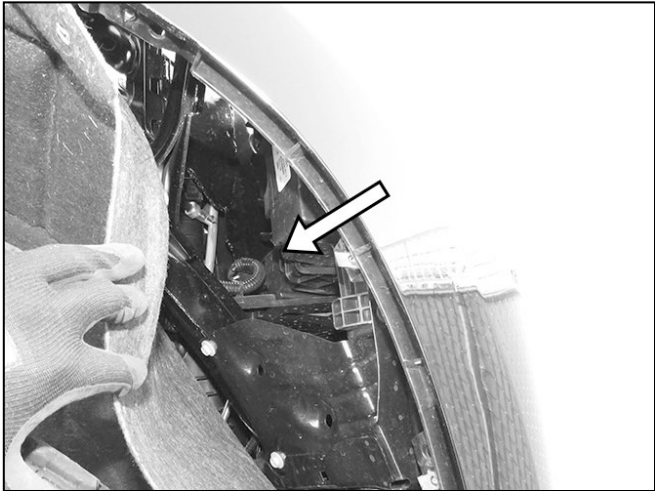


**(Fig. 3) Remove outer bumper supports**



**(Fig. 4) Remove bolts attaching bottom of bumper to brackets.**

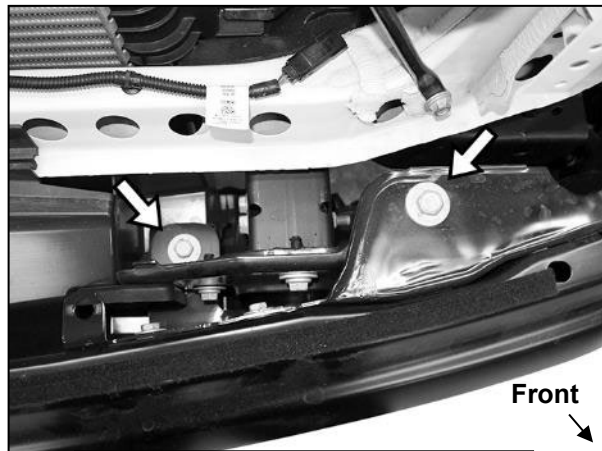
**HD4 LD FRONT BUMPER**  
**2019-21 CHEVY SILVERADO 1500 (INCLUDES 22 "LTD", EXCLUDES 19 "LD")**



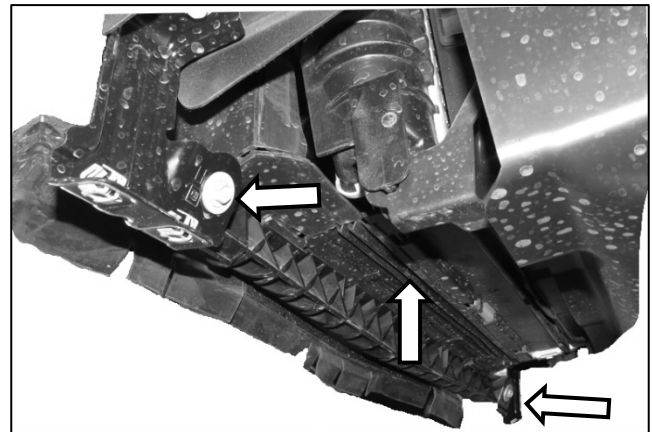
**(Fig. 5) Vehicles with front parking sensors and/or fog lights, remove the small torx screws on the passenger side wheel well liner and reach inside to disconnect the main wire harness**



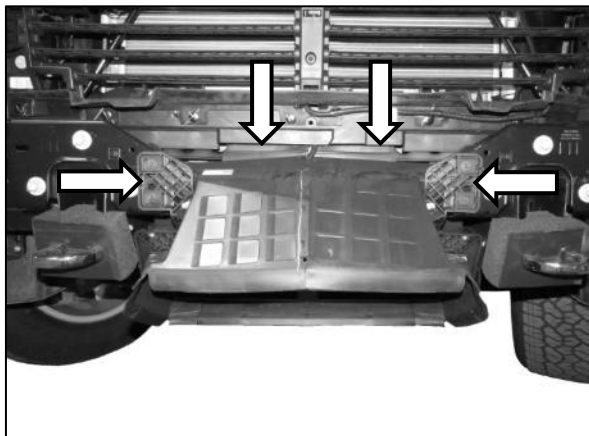
**(Fig. 6) Pull back rubber cover to locate bumper bolts**



**(Fig. 7) Remove top bumper bolts to remove bumper**

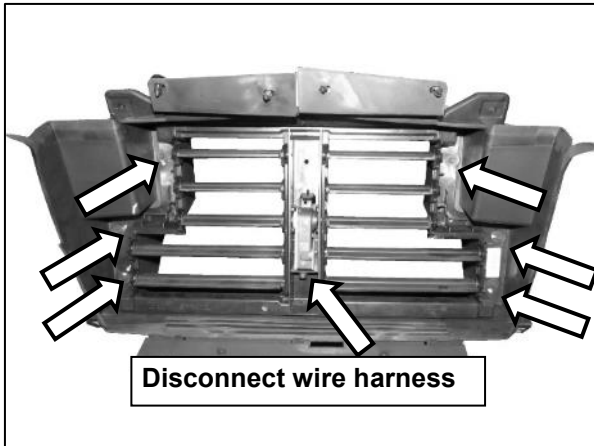


**(Fig. 8) Pull down plastic flap and remove bolts on the bottom of the intercooler shutter assembly  
\*Note- If vehicle is not equipped with intercooler, skip to Fig. 13**

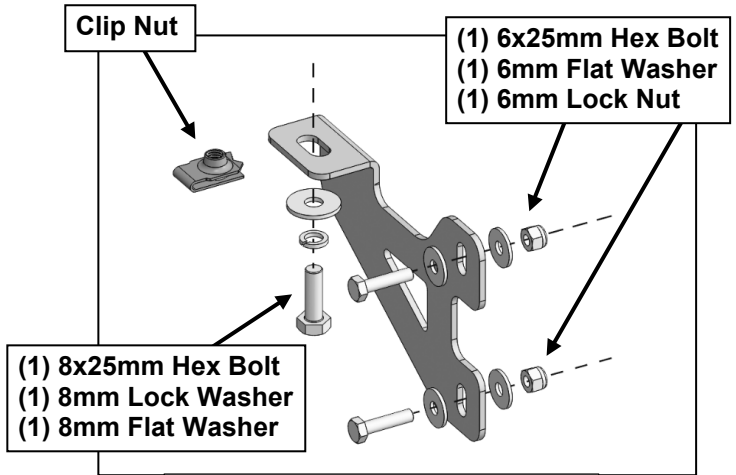


**(Fig. 9) Remove intercooler hardware on the front. Disconnect wire harness from motor on the back side**

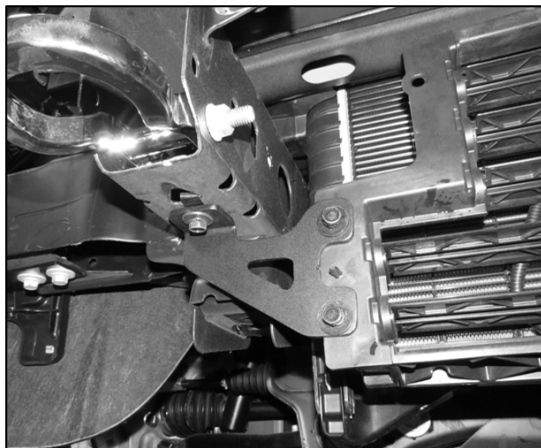
**HD4 LD FRONT BUMPER  
2019-21 CHEVY SILVERADO 1500 (INCLUDES 22 "LTD", EXCLUDES 19 "LD")**



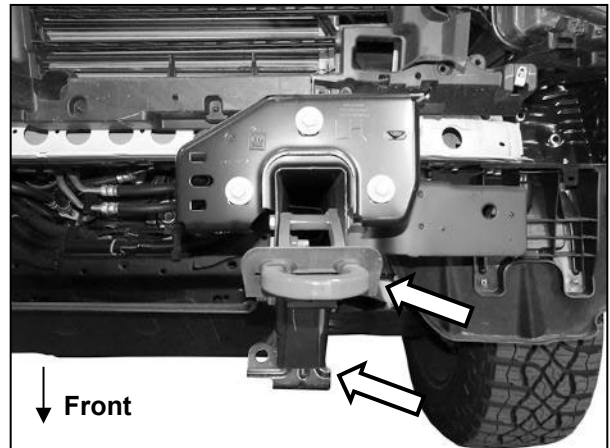
**(Fig. 10) Disconnect wire harness from motor and remove intercooler shutter. Remove bolts to separate the shutter assembly from the outer shroud**



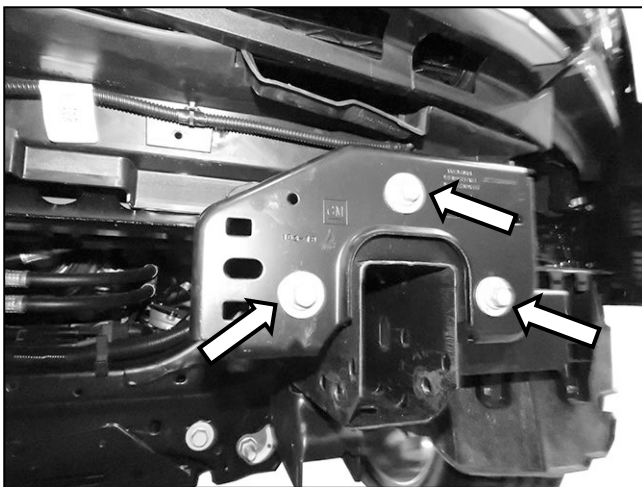
**(Fig. 11) Attach Intercooler Relocation Bracket to bottom of frame**



**(Fig. 12) Attach shutter assembly to back of Relocation Bracket. Reconnect shutter motor wire harness**



**(Fig. 13) Remove tow hooks and lower support brackets**



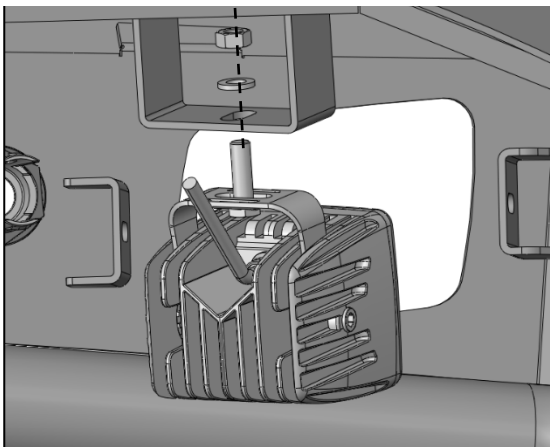
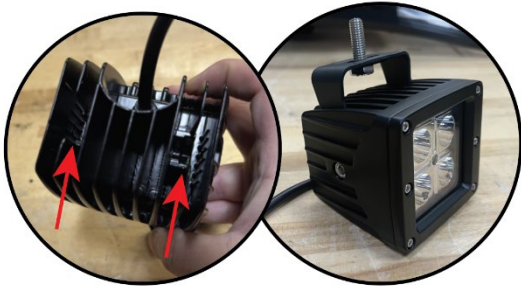
**(Fig. 14) Remove factory bumper brackets**



**(Fig. 15) Reinstall grille, plastic cover, and hood release handle**

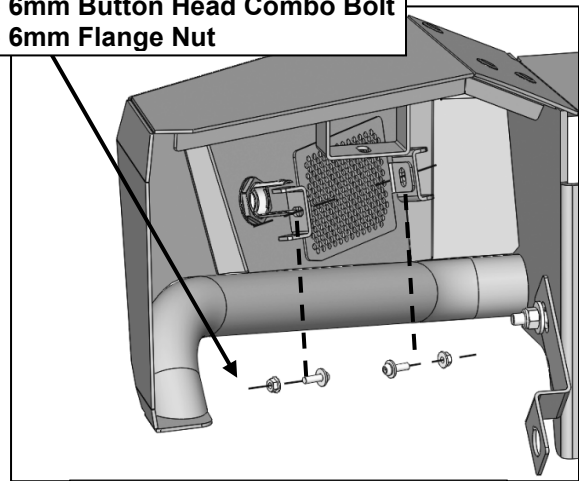
2

Follow (Fig. 16 – 23) to attach LED Cube Lights or Mesh Panels, then attach Parking Sensors or Plastic Sensor Plugs.



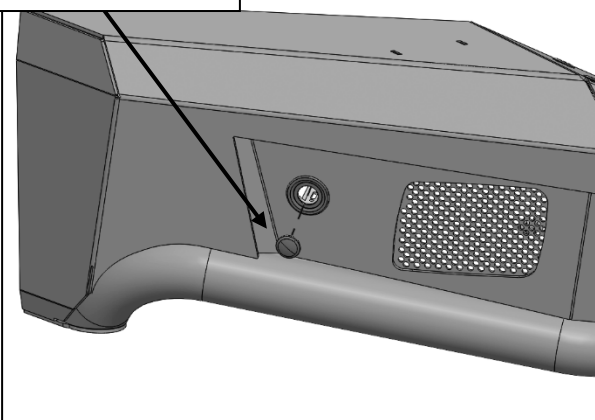
(Fig. 16) Mount cube light bracket to cube light using LED lighting kit M6 hardware. Mount LED light assembly to bumper using lighting kit M8 hardware.

(2) 6mm Button Head Combo Bolt  
(2) 6mm Flange Nut

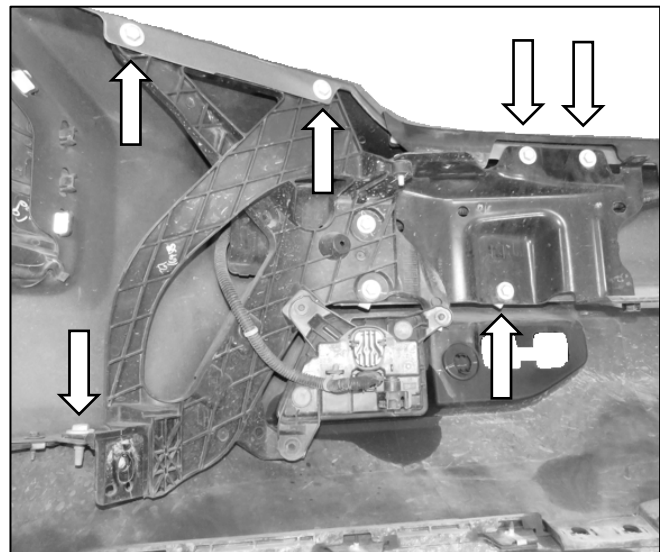


(Fig. 17) If not using LED Cube Lights, attach Mesh Panel

Plastic Sensor Plug

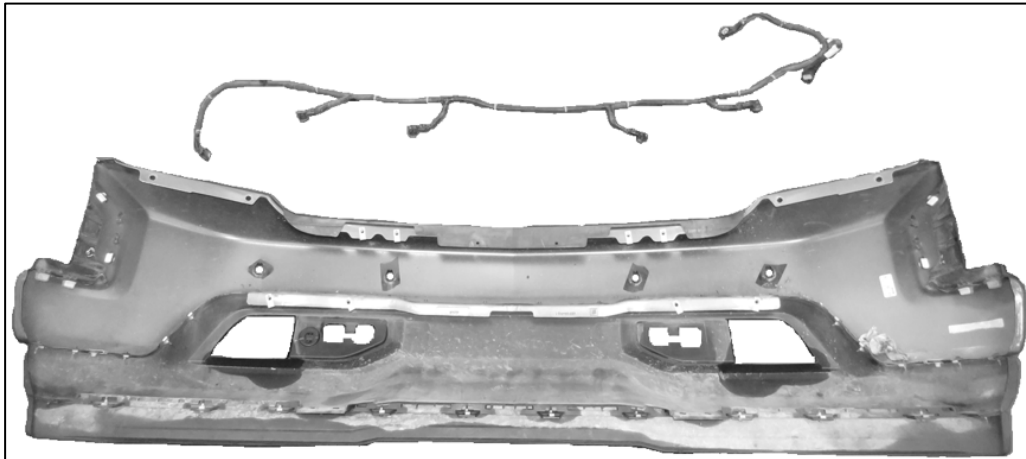


(Fig. 18) For models without parking sensors, attach sensor plugs

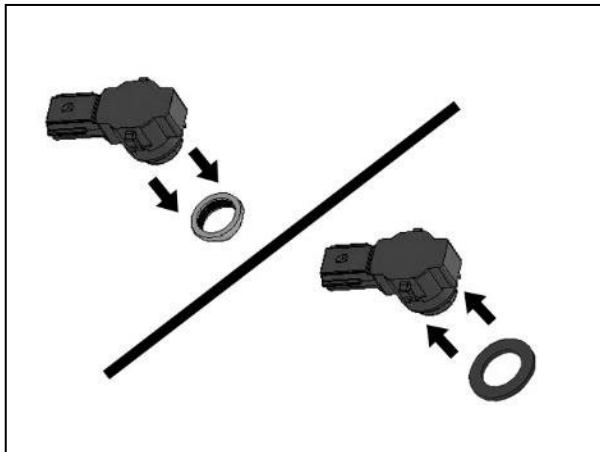


(Fig. 19) For vehicles with parking sensors, remove inner structure on the factory bumper to access sensors. Disconnect any plastic tabs attaching the wire harness to the inner structure

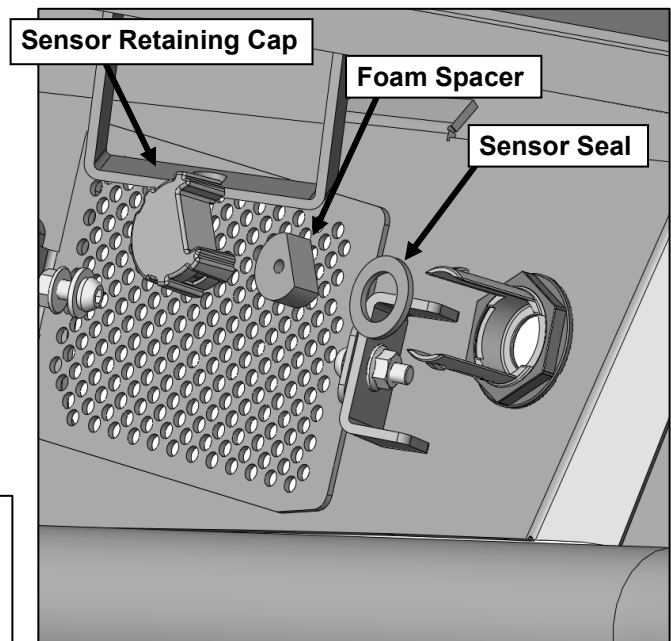
**HD4 LD FRONT BUMPER  
2019-21 CHEVY SILVERADO 1500 (INCLUDES 22 "LTD", EXCLUDES 19 "LD")**



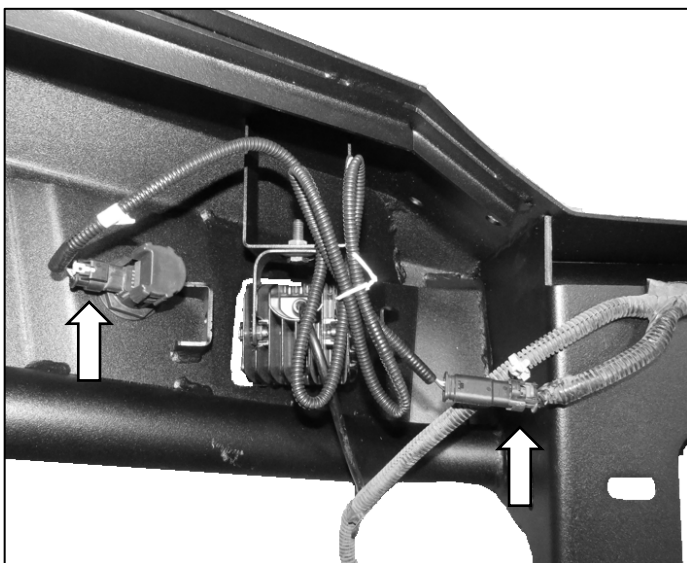
**(Fig. 20) Remove the parking sensors and wire harness from the factory bumper**



**(Fig. 21) Remove silicone seal from sensor. Slide large Seal over end of sensor**



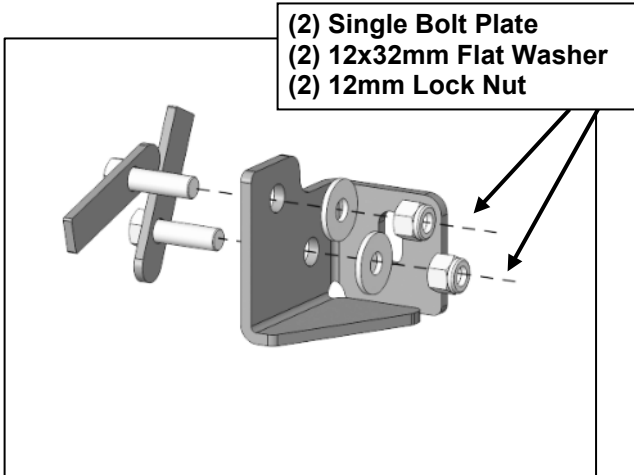
**(Fig. 22) Insert Sensor assembly through sensor sleeve on back of Bumper**



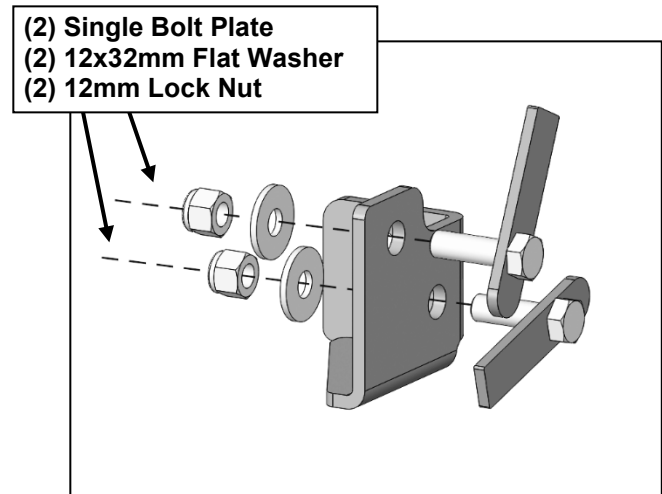
**(Fig. 23) Use the Parking Sensor Wire Harness Extension to connect the outer sensors to the main harness**

3

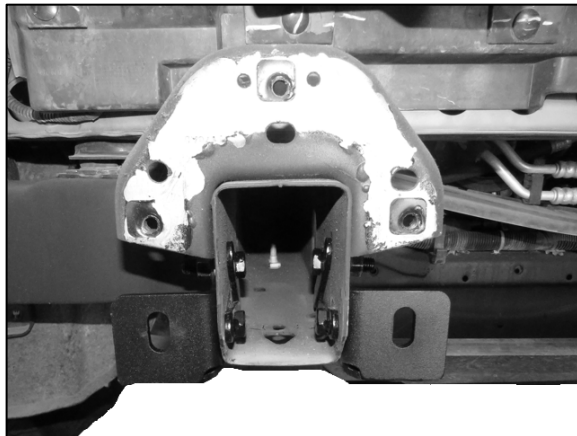
Follow (Fig 24 – 33) to attach Support Brackets and Bumper to vehicle, then attach Shackle Mounts and Cover Plates. Ensure hardware is hand tightened at this point.



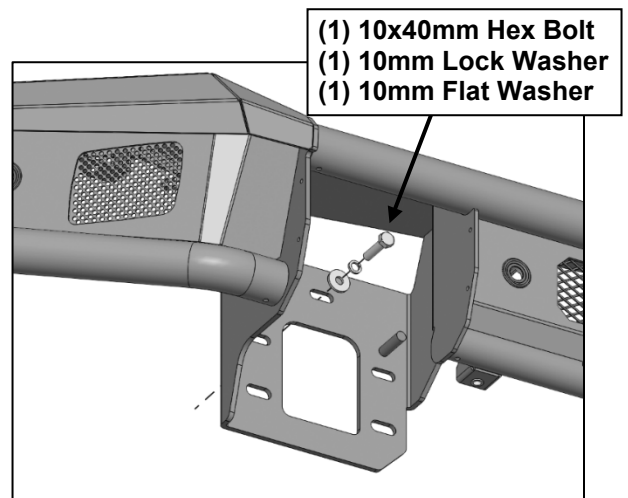
(Fig. 24) Attach Driver/left Support Bracket to Tow Hook Mount



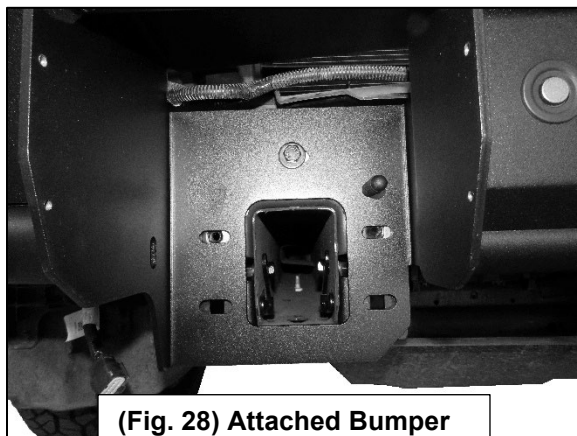
(Fig. 25) Attach Passenger/Right Support Bracket to Tow Hook Mount



(Fig. 26) Attached Support Brackets to Tow Hook Mount

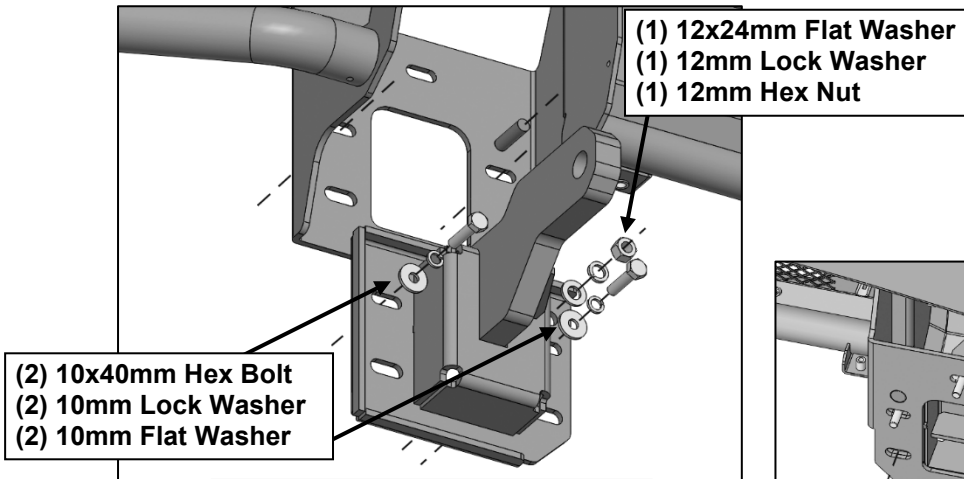


(Fig. 27) Attach Bumper to vehicle using the upper mount points only

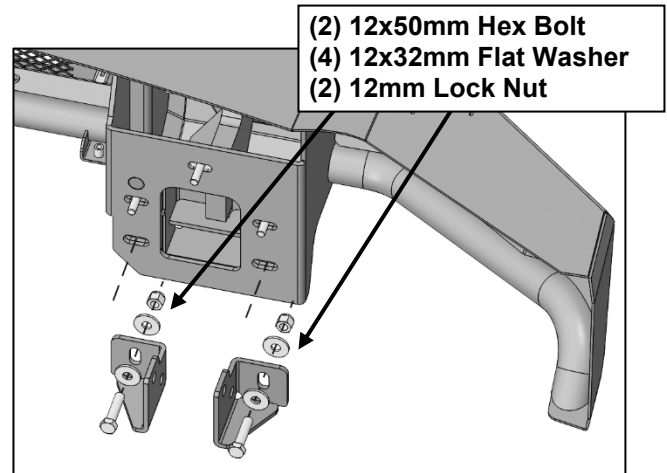


(Fig. 28) Attached Bumper to Support Brackets

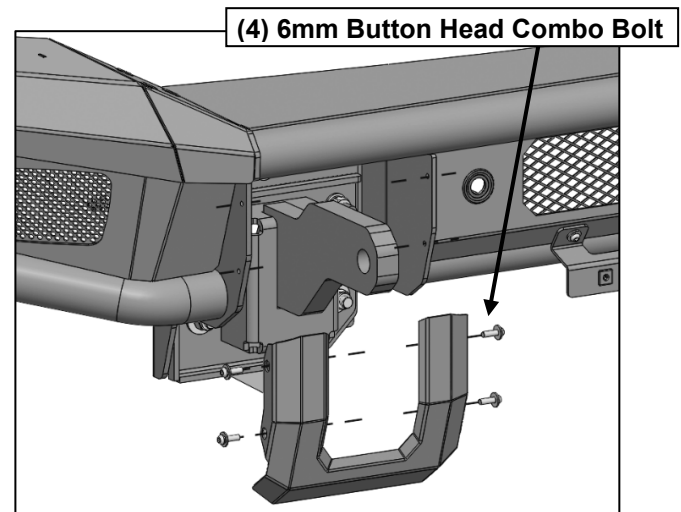
**HD4 LD FRONT BUMPER**  
**2019-21 CHEVY SILVERADO 1500 (INCLUDES 22 "LTD", EXCLUDES 19 "LD")**



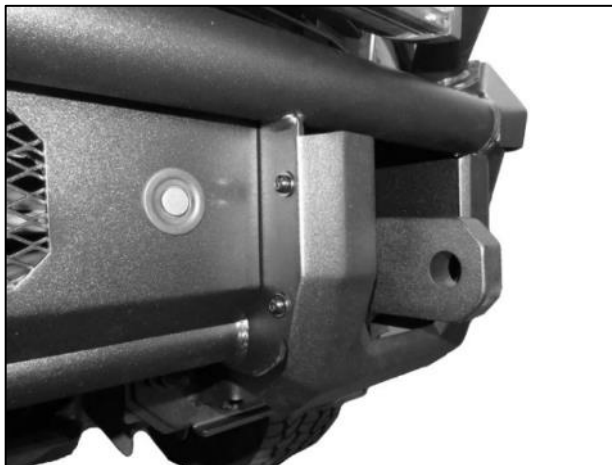
**(Fig. 29) Attach Shackle Mount to Bumper and vehicle**



**(Fig. 30) Attach Bumper to Support Brackets**



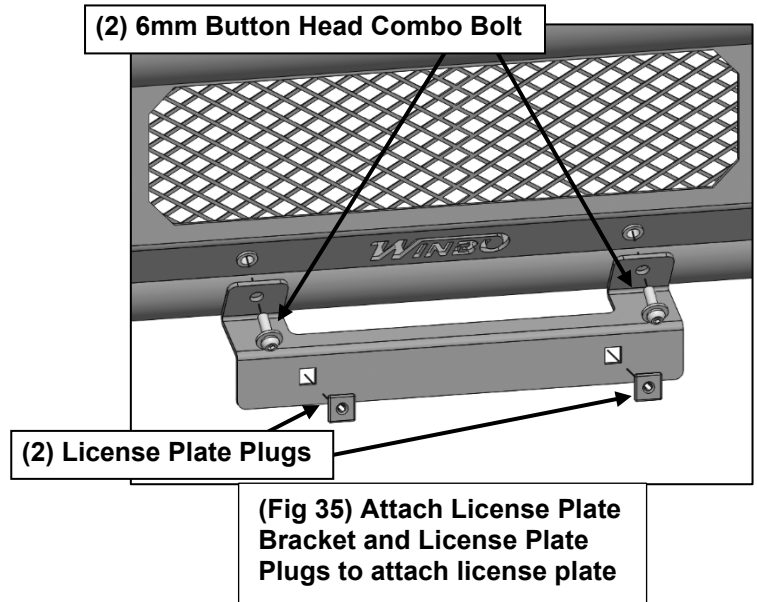
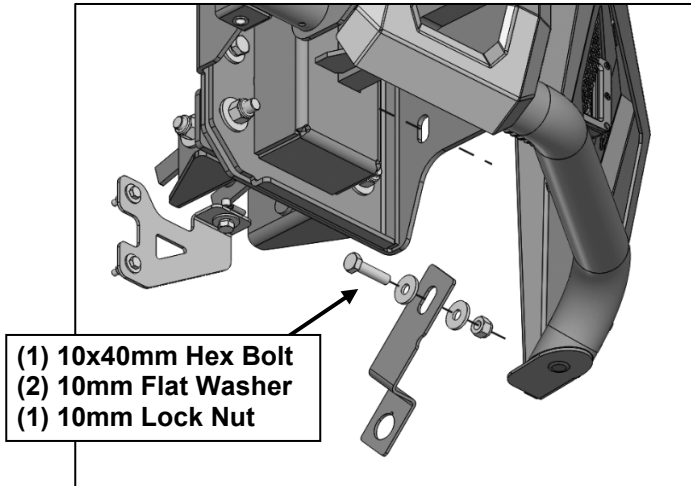
**(Fig. 32) Attach Cover Plate to Bumper**



**(Fig. 33) Attached Cover Plate to Bumper**

4

Follow (Fig 34 – 35) to attach Heater Relocation Bracket and License Plate Bracket. Ensure Brackets are level before tightening hardware.



5

Ensure Bumper is level and secure, then tighten all hardware. Installation is complete. Perform periodic inspections after installation to make sure that all hardware is secure and tight. The wheel well liners may be trimmed for a cleaner appearance



**HD4 LD FRONT BUMPER  
2019-21 CHEVY SILVERADO 1500 (INCLUDES 22 "LTD", EXCLUDES 19 "LD")**



**Remove or cut the plastic wheel well liner support, then trim the wheel well liner as desired**