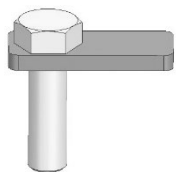
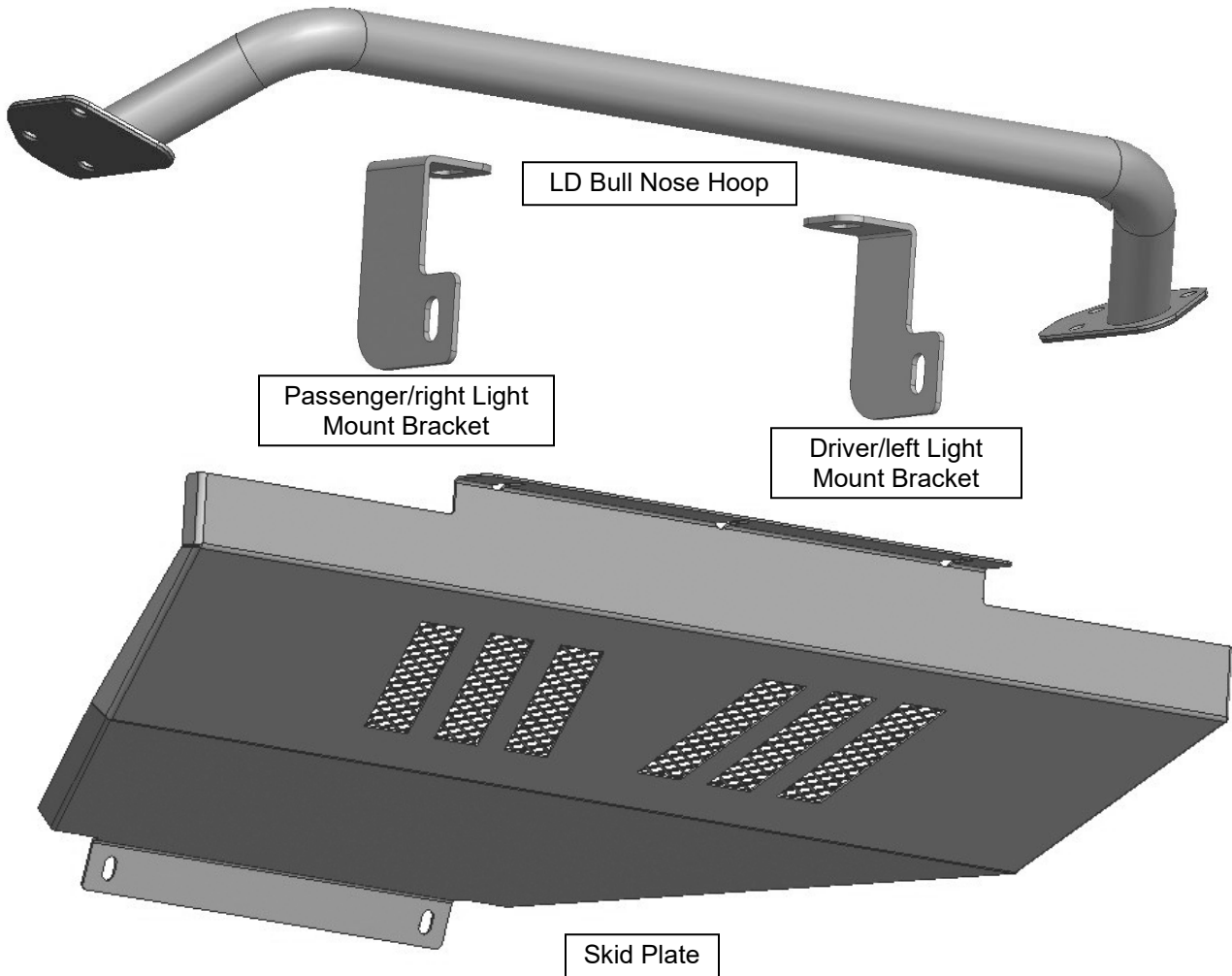


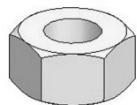
## Installation Instructions

### PARTS LIST:

Qty	Item Description	Qty	Item Description
1	HD4 Skid Plate	2	8-1.25mm x 25mm Hex Bolts
1	HD4 LD Bull Nose Hoop	2	8-1.25mm x 16mm Hex Bolts
1	Driver/left Light Mount Bracket	18	8mm x 24mm OD x 2mm Large Flat Washers
1	Passenger/right Light Mount Bracket	5	8mm x 28mm OD x 3mm Super Large Flat Washers
2	M8 Bolt Plates	15	8mm Lock Washers
2	8mm Plastic Retainers	10	8mm Hex Nuts
9	8-1.25mm x 25mm Button Head Bolts	1	5mm Allen Wrench



Bolt Plate



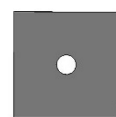
Hex Nut



Lock Washer



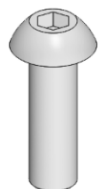
Flat Washer



Plastic Retainer



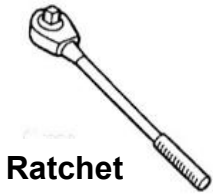
Hex Bolt



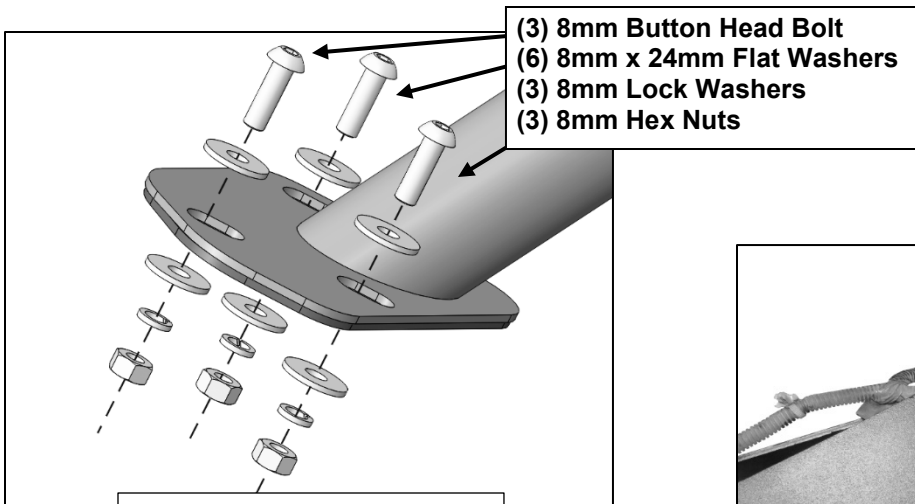
Button Head Bolt

S221317 HD4 LD BN HOOP AND SKID PLATE  
19-21 CHEVY SILVERADO (INCLUDES 22 "LTD", EXCLUDES 19 "LD")

**TOOLS REQUIRED**



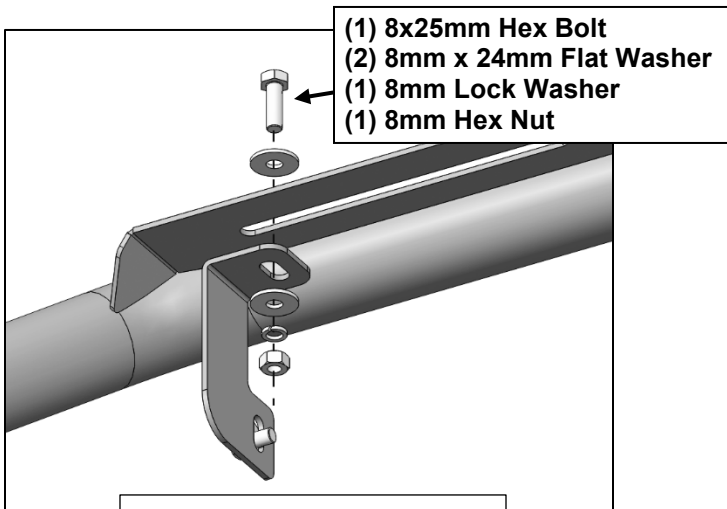
**1** Follow (Fig 1 -12) to attach LD BN Hoop and Skid Plate. Ensure hardware is hand tightened.



(Fig 1) Remove Plugs then attach BN Hoop to Bumper



(Fig 2) Attached BN Hoop to Bumper

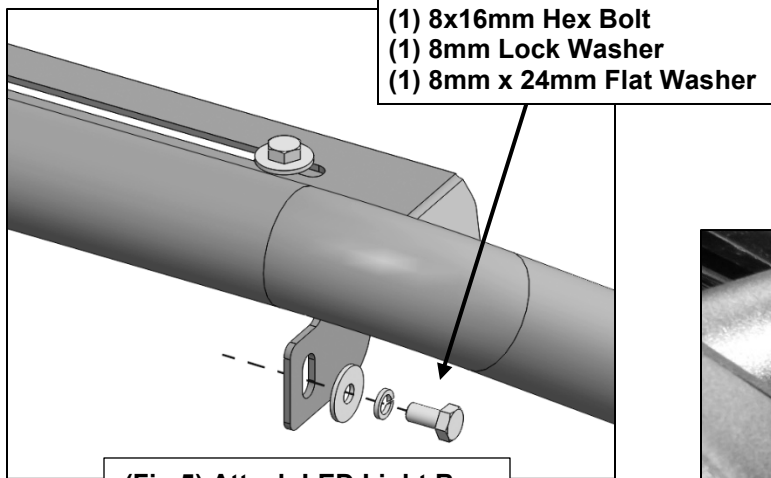


(Fig 3) Attach Light Mount Bracket to BN Hoop

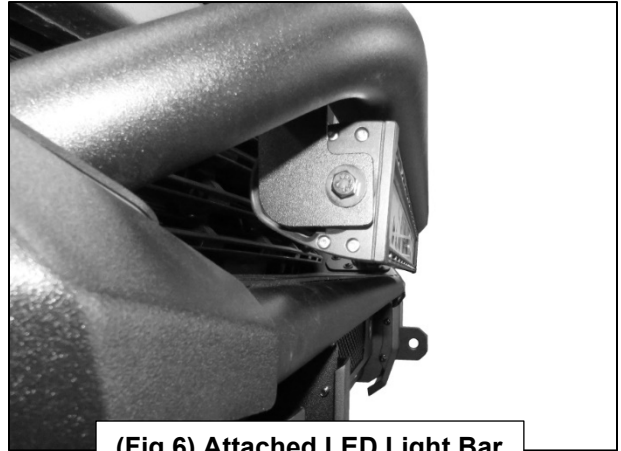


(Fig 4) Attached Light Mount Bracket

S221317 HD4 LD BN HOOP AND SKID PLATE  
19-21 CHEVY SILVERADO (INCLUDES 22 "LTD", EXCLUDES 19 "LD")



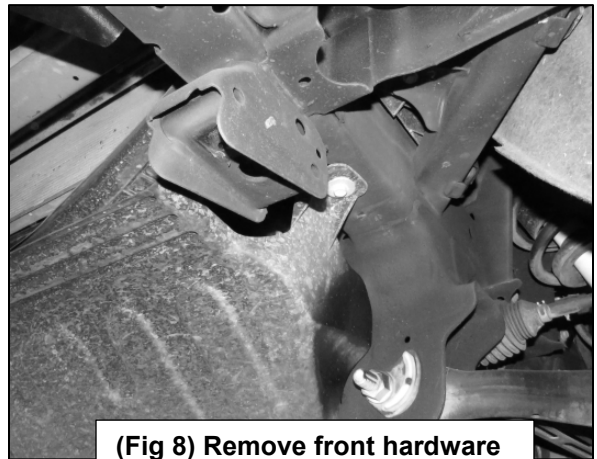
(Fig 5) Attach LED Light Bar (not included) to bracket



(Fig 6) Attached LED Light Bar



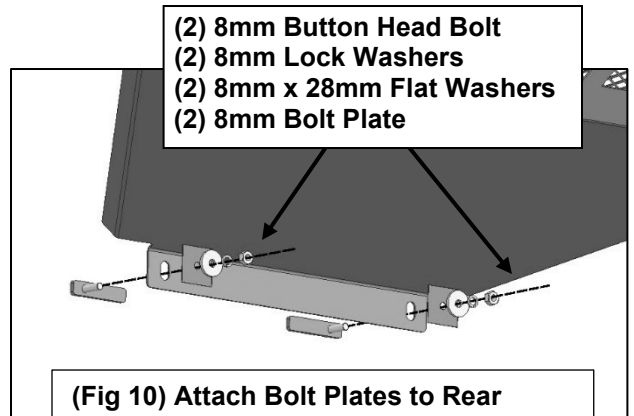
(Fig 7) Remove rear hardware for factory skid plate



(Fig 8) Remove front hardware for factory skid plate

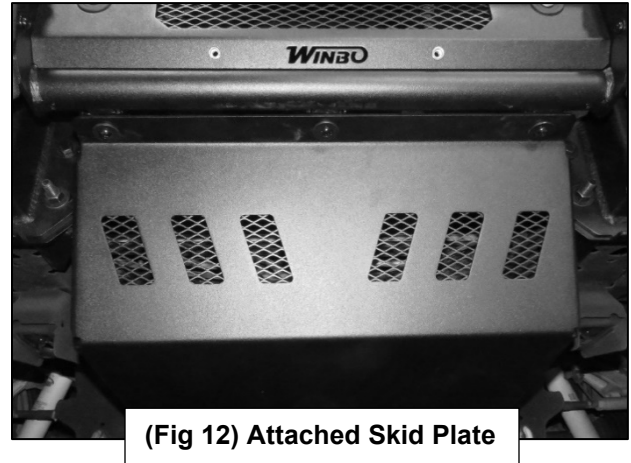
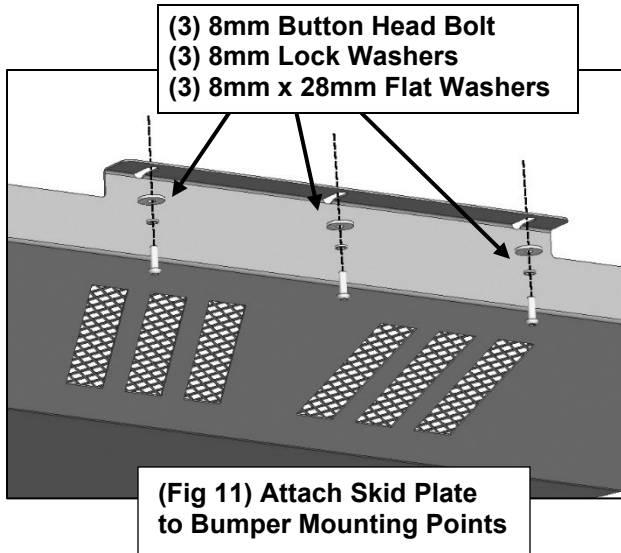


(Fig 9) Locate Rear Mounting Points to attach bottom of Skid Plate.



(Fig 10) Attach Bolt Plates to Rear Mounting Points and attach Skid Plate with indicated hardware.

S221317 HD4 LD BN HOOP AND SKID PLATE  
19-21 CHEVY SILVERADO (INCLUDES 22 "LTD", EXCLUDES 19 "LD")



2

Ensure BN Hoop and Skid Plate is level and secure, then tighten all hardware. Installation is complete. Perform periodic inspections to the installation to make sure that all hardware is secure and tight.

