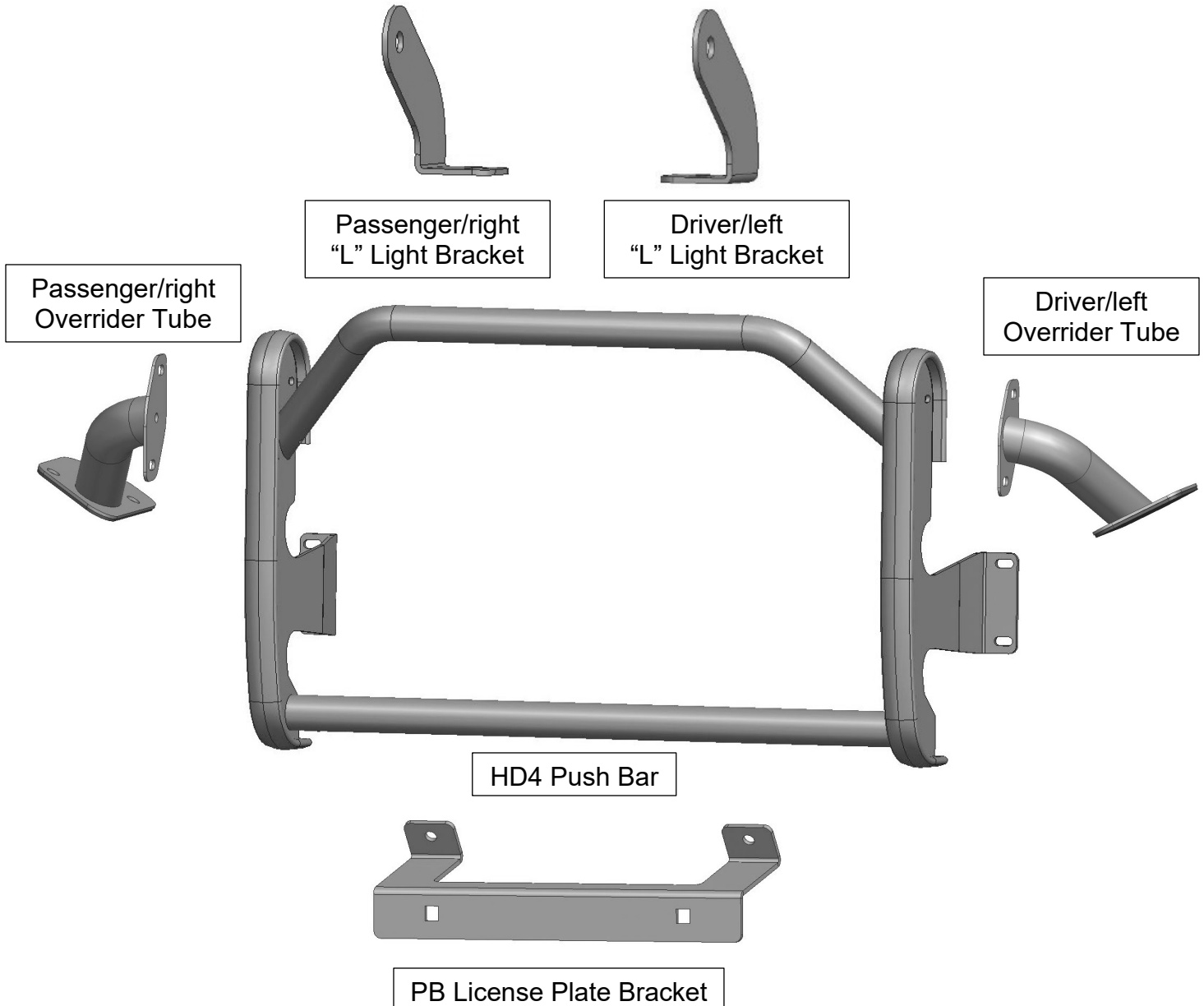


## Installation Instructions

### PARTS LIST:

| Qty | Item Description                        | Qty | Item Description                       |
|-----|---|-----|--|
| 1   | HD4 Push Bar                            | 2   | 10mm Lock Washers                      |
| 1   | Driver/left Override Tube               | 10  | 8-1.25mm x 25mm Button Head Bolts      |
| 1   | Passenger/right Override Tube           | 2   | 8-1.25mm x 25mm Hex Bolts              |
| 1   | Driver/left "L" Light Bracket           | 2   | 8-1.25mm x 16mm Hex Bolts              |
| 1   | Passenger/right "L" Light Bracket       | 22  | 8mm x 24mm x 2mm STD Flat Washers      |
| 1   | PB License Plate Bracket                | 4   | 8mm x 16mm x 1.6mm Small Flat Washers  |
| 2   | License Plate Plastic Plugs             | 14  | 8mm Lock Washers                       |
| 2   | 12-1.75mm x 50mm Hex Bolts              | 12  | 8mm Hex Nuts                           |
| 4   | 12mm x 32mm x 3mm Flat Washers          | 2   | 6-1.0mm x 20mm Button Head Combo Bolts |
| 2   | 12mm Nylon Lock Nuts                    | 1   | 5mm Wrench                             |
| 2   | 10-1.5mm x 40mm Hex Bolts               | 1   | 4mm Wrench                             |
| 2   | 10mm x 27mm OD x 3mm Large Flat Washers |     |  |

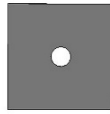




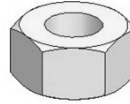
Lock Washer



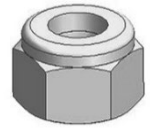
Flat Washer



Plastic Retainer



Hex Nut



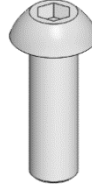
Nylon Lock Nut



Button Head Combo Bolt



Hex Bolt



Button Head Bolt



Plastic Plug for License Plate Mount

**TOOLS REQUIRED**



Ratchet



13mm Socket



Extensions



Wrench

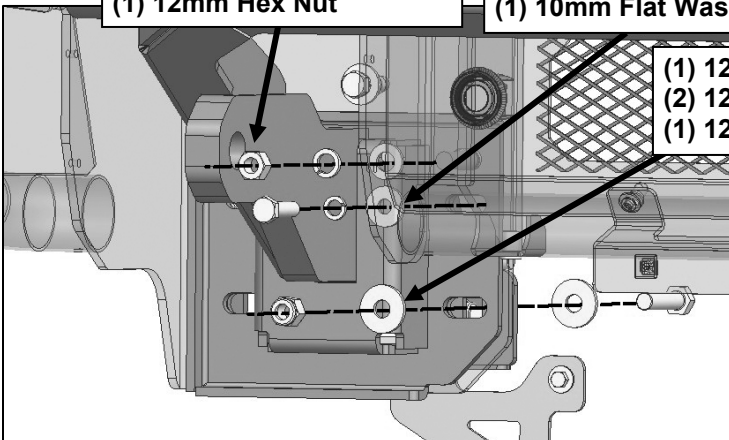
**1**

Follow (Fig 1 – 15) to attach HD Push Bar and connect Override Tube to LD Bumper, then attach LED Brackets and LED Light as necessary. Ensure HD4 Push Bar is level before tightening fasteners.

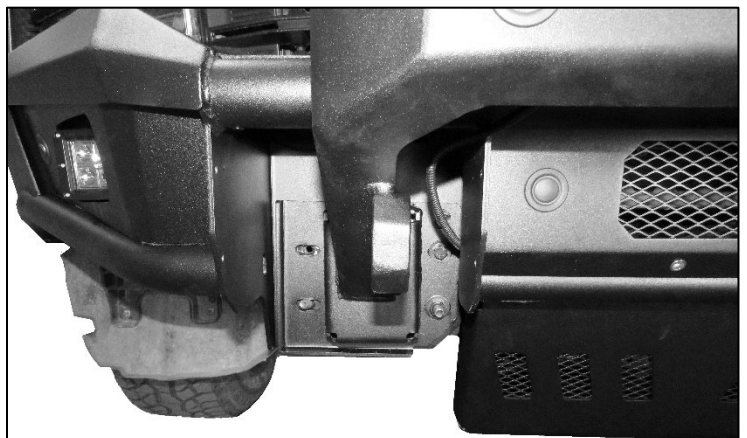
(1) 12 x 24mm Flat Washer  
(1) 12mm Lock Washer  
(1) 12mm Hex Nut

(1) 10mm x 40mm Hex Bolts  
(1) 10mm Lock Washers  
(1) 10mm Flat Washers

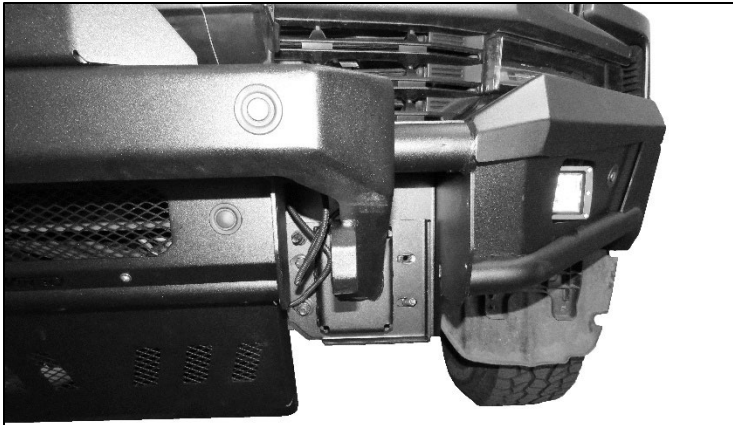
(1) 12mm x 50mm Hex Bolts  
(2) 12 x 27mm Flat Washers  
(1) 12mm Nylon Lock Nuts



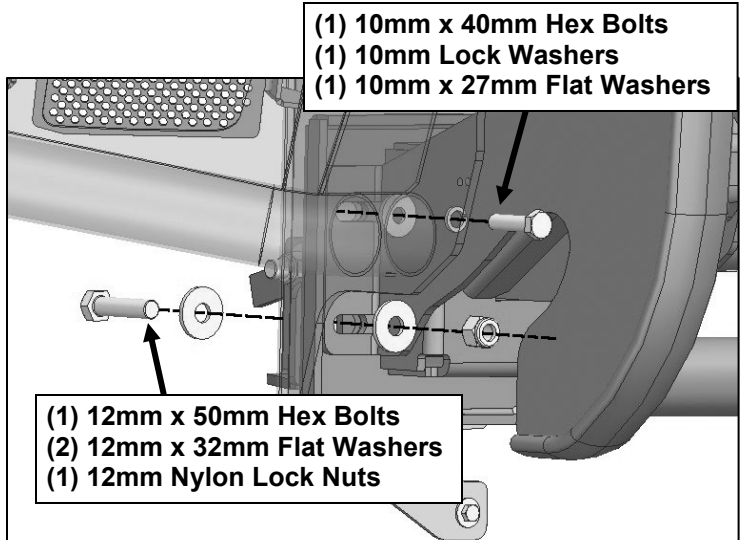
**(Fig 1) Attach Passenger/right PB Shackle Mount to threaded inserts and threaded stud on bumper with the indicated hardware. Repeat for Driver/left side. NOTE: Only inner hardware is installed at this time.**



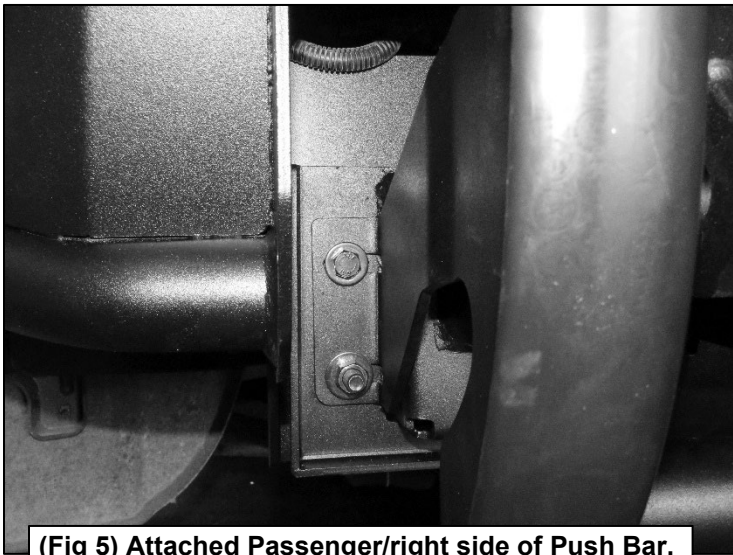
**(Fig 2) Attached Passenger/right Winch Tray.**



**(Fig 3) Attached Driver/left Winch Tray.**



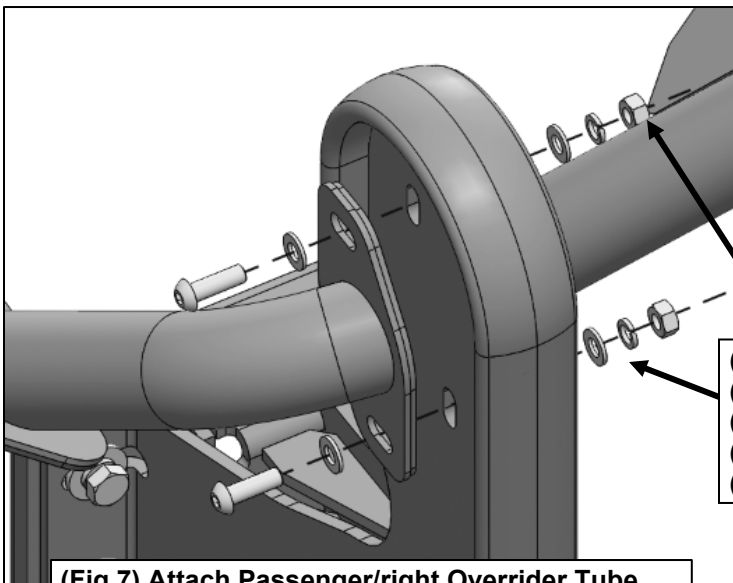
**(Fig 4) Attach HD4 Push Bar onto Passenger/right. Attach Driver/left side at the same time together onto LD Front Bumper with indicated hardware.**



**(Fig 5) Attached Passenger/right side of Push Bar.**



**(Fig 6) Attached Driver/left side of Push Bar.**

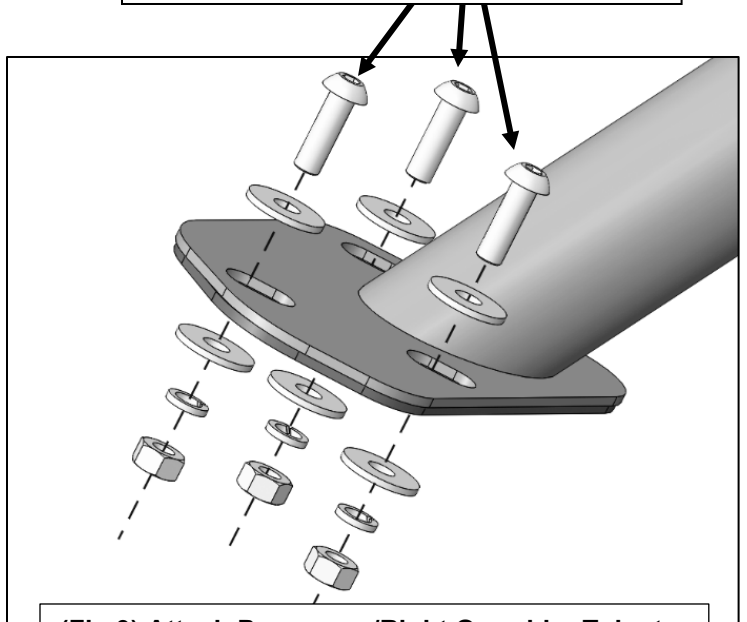


**(Fig 7) Attach Passenger/right Override Tube onto HD4 Push Bar with indicated hardware. Repeat on Driver/left side.**



**(Fig 8) Attached Passenger/right  
Override Tube onto HD4 Push Bar.**

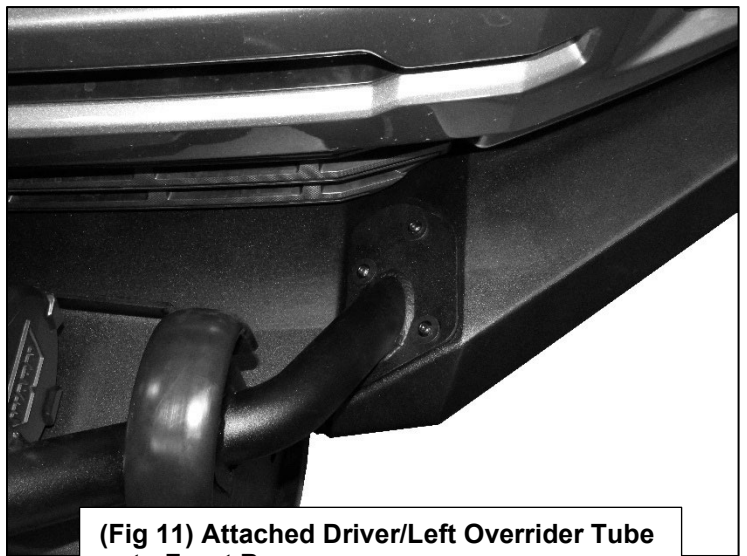
- (2) 8 – 1.25mm x 25mm Button Head Bolts**
- (6) 8mm x 24mm x 2mm Flat Washers**
- (2) 8mm Lock Washer**
- (2) 8mm Hex Nut**



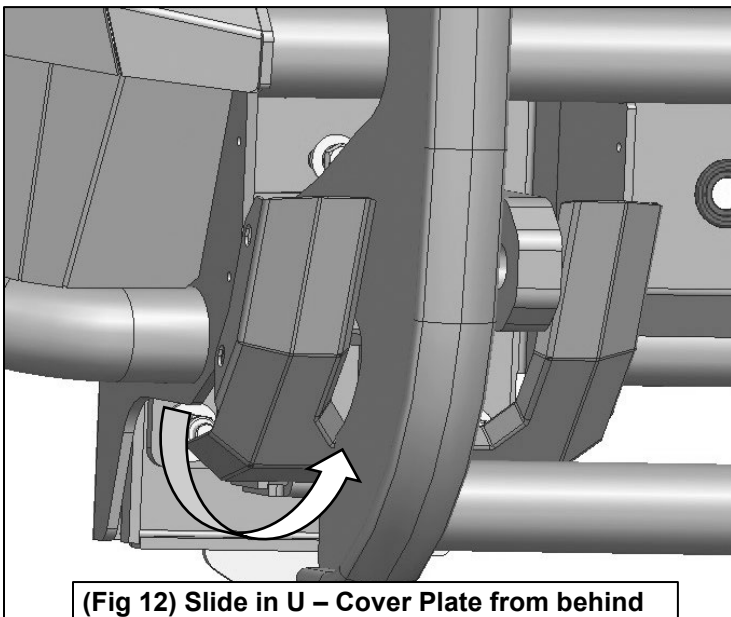
**(Fig 9) Attach Passenger/Right Override Tube to  
Front Bumper with indicated hardware. Repeat  
on Driver/left side.**



**(Fig 10) Attached Passenger/Right Override  
Tube onto Front Bumper.**

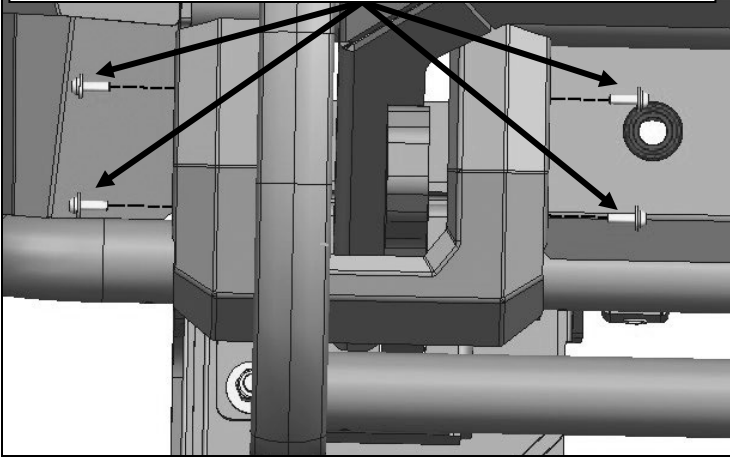


**(Fig 11) Attached Driver/Left Override Tube  
onto Front Bumper.**



**(Fig 12) Slide in U – Cover Plate from behind  
LD Push Bar to attach to Bumper.**

(4) 6mm – 1.00mm x 20mm Button Head Combo Bolt

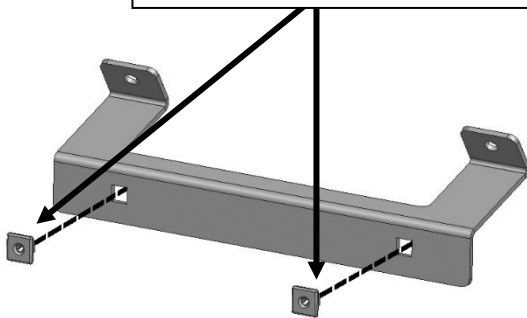


(Fig 13) Attach U – Cover Plate with indicated hardware.



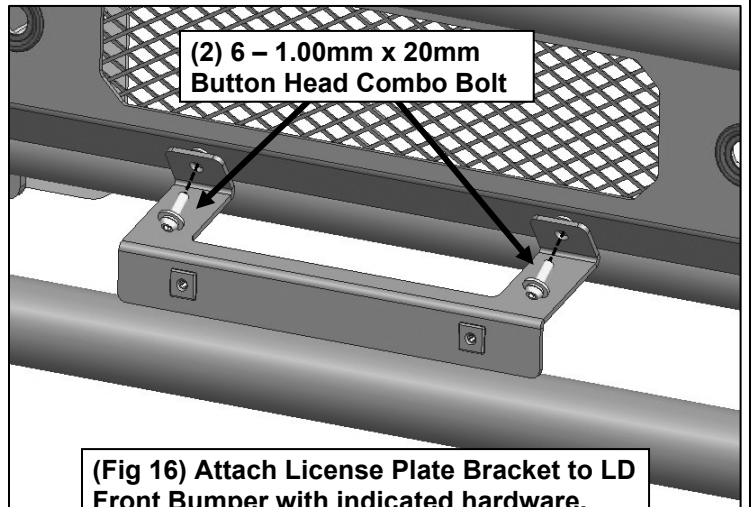
(Fig 14) Attached U — Cover Plate on Passenger/right side and repeat on driver side.  
**NOTE:** Tow hook not included

(2) License Plate Plastic Plug



(Fig 15) Attach License Plate Plastic Plugs to License Plate Bracket.

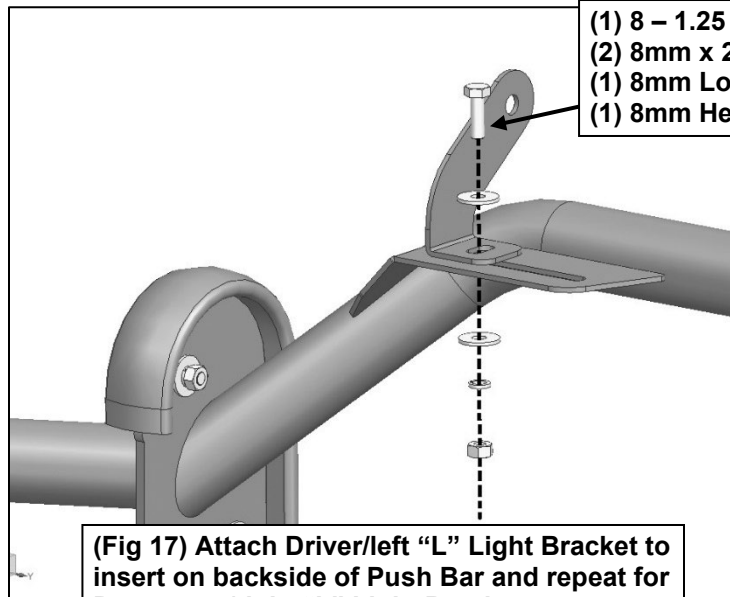
(2) 6 – 1.00mm x 20mm Button Head Combo Bolt



(Fig 16) Attach License Plate Bracket to LD Front Bumper with indicated hardware.

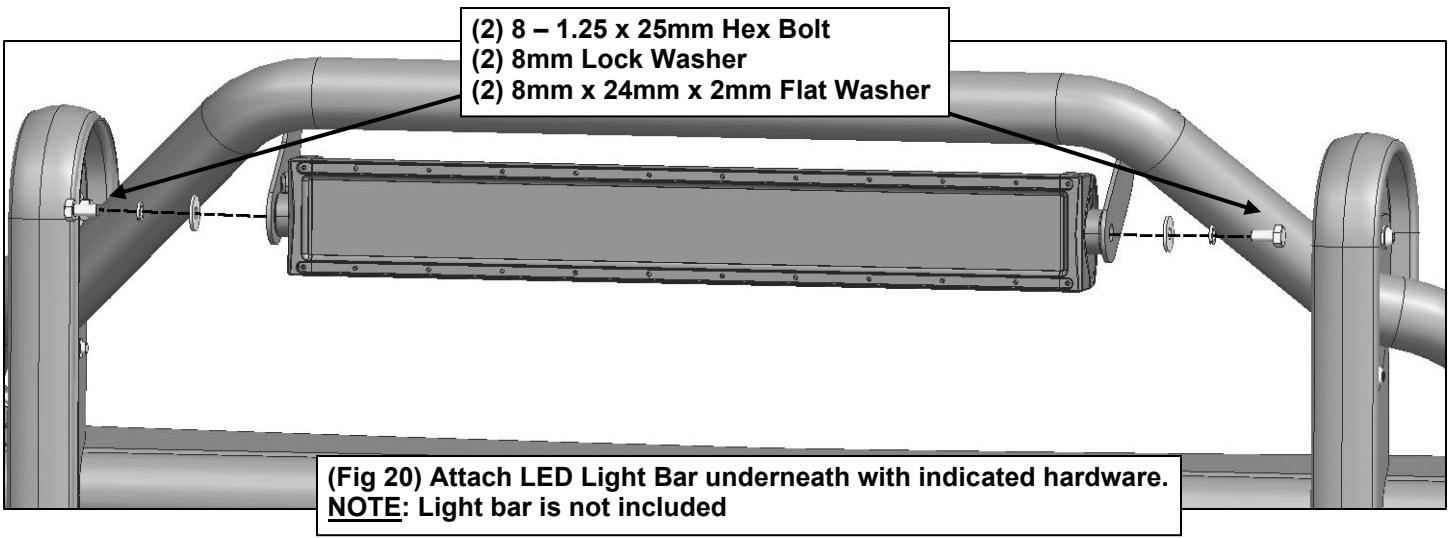
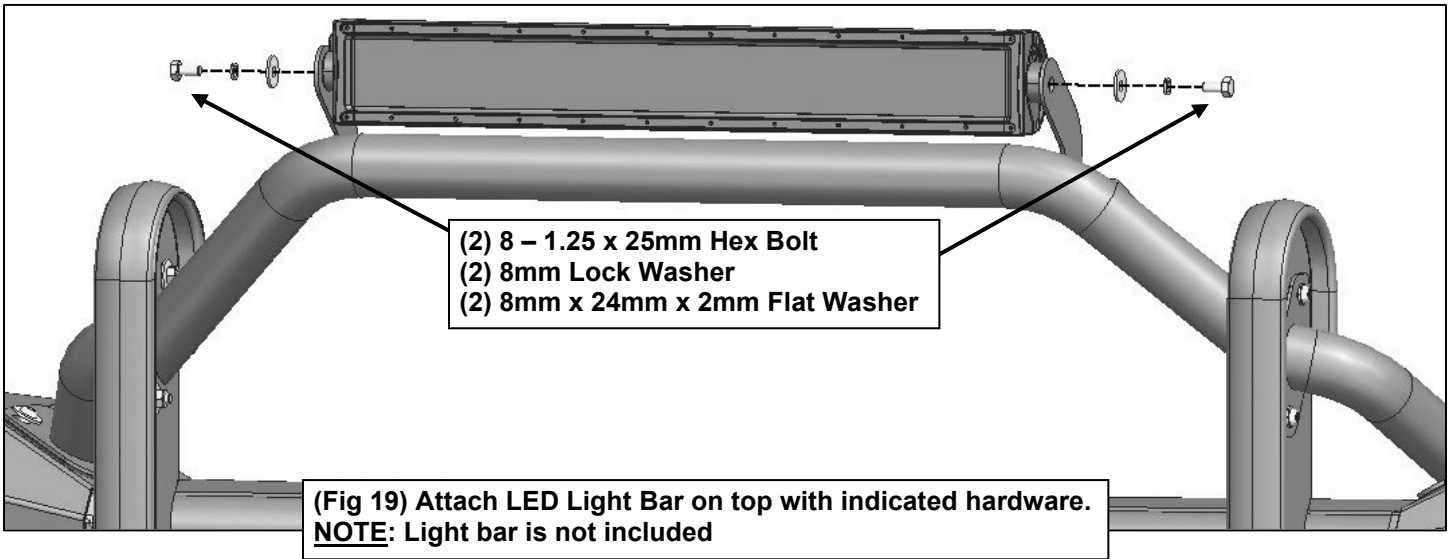
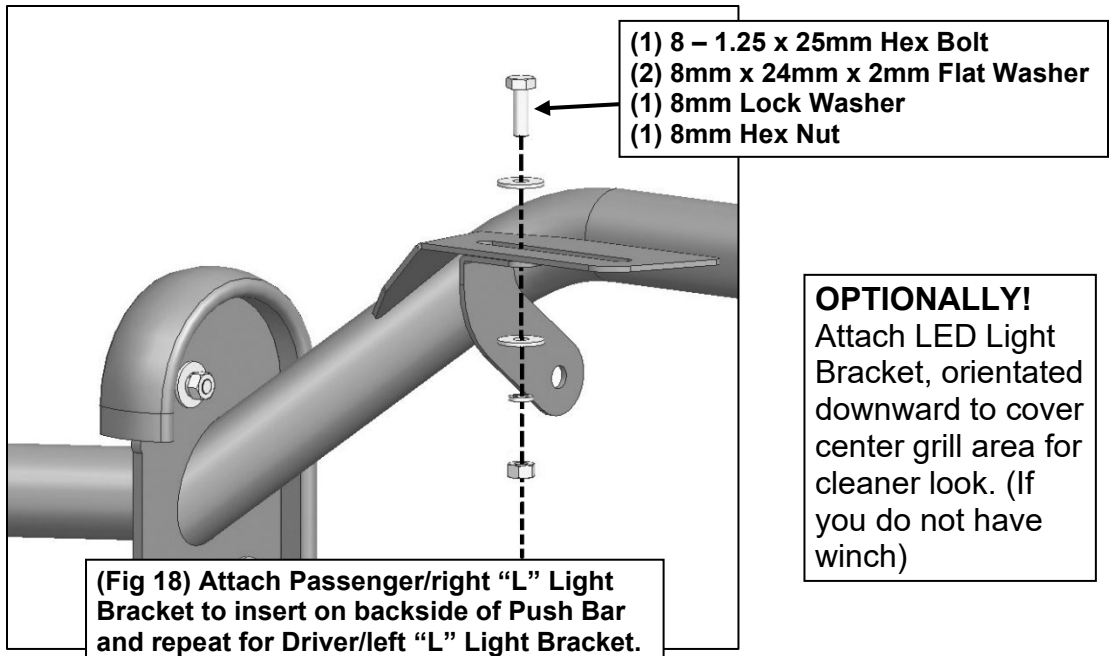
**2** Follow (Fig 17 - 20) to attach LED Brackets and LED Bar (not included). Ensure all fasteners are hand tightened at this point. Orientation of LED Light Brackets based on your preference.

(1) 8 – 1.25 x 25mm Hex Bolt  
(2) 8mm x 24mm x 2mm Flat Washer  
(1) 8mm Lock Washer  
(1) 8mm Hex Nut



(Fig 17) Attach Driver/left “L” Light Bracket to insert on backside of Push Bar and repeat for Passenger/right “L” Light Bracket.

**RECOMMENDED!**  
Attach LED Light Bracket, orientate LED Light Bracket upward. (If you have winch)



- 3** Ensure Push Bar is level and properly fit, then tighten all fasteners. Installation is complete. Do periodic inspections to the installation to make sure that all hardware is secure and tight.



**Complete Installation (Lightbar, Winch, and Skid Plate not included)**