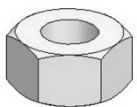
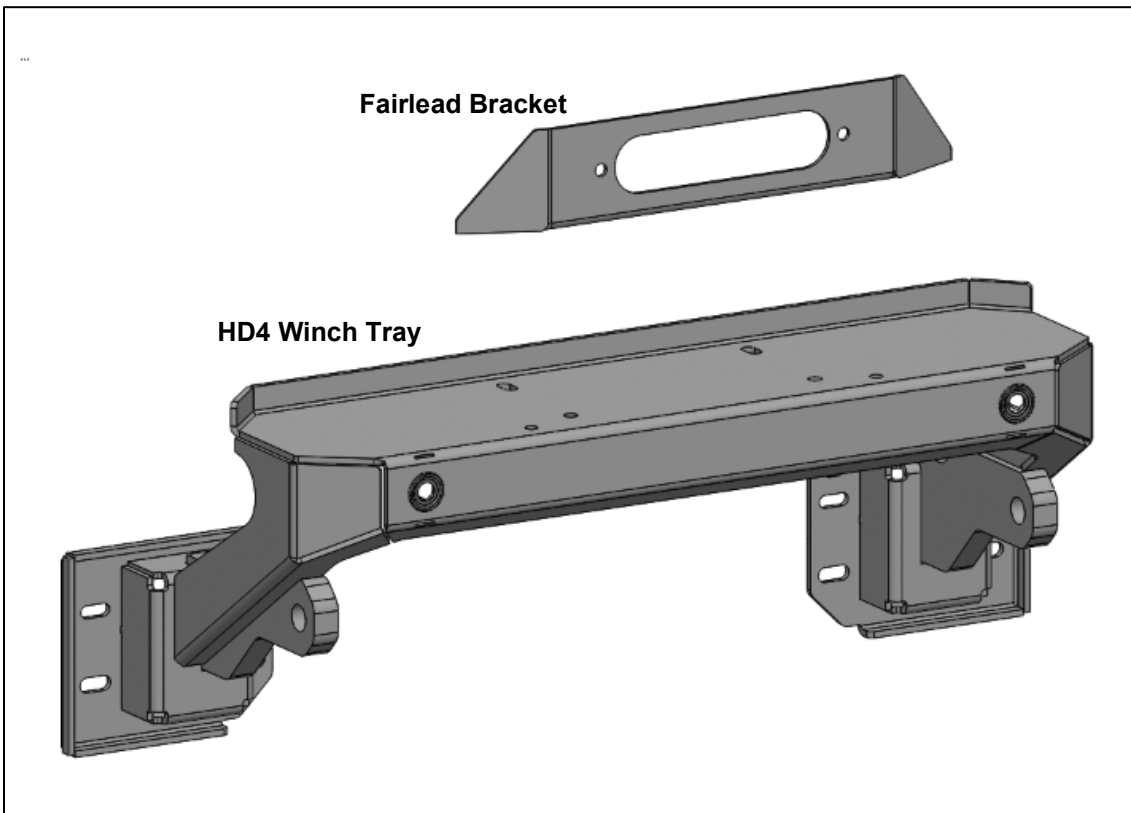




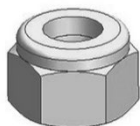
Installation Instructions

PARTS LIST:

Qty	Item Description	Qty	Item Description
1	HD4 Winch Tray	4	8mm x 24mm x 2mm Flat Washer
1	Fairlead Bracket	2	8mm Lock Washer
4	12-1.75mm x 50mm Hex Bolt	2	8mm Hex Nuts
8	12mm x 32mm x 3mm Flat Washer	1	S5 Allen Wrench
2	12mm x 24mm x 2.5mm Flat Washer	4	4mm x 15mm Flat Head Self Tapping Screw
2	12mm Lock Washer	2	Sensor Hole Plug
4	12mm Nylon Lock Nut	2	Sensor Retaining Cap
2	12mm Hex Nut	2	20mm x 10mm Foam Spacer
4	10-1.5mm x 40mm Hex Bolt	2	15.5mm x 25mm x 2mm Foam Washer
4	10mm x 27mm x 3mm Flat Washer	2	Parking Sensor Wire Extension Harness
4	10mm Lock Washer	1	Sensor Cover Kit
2	8-1.25mm x 25mm Button Head Bolt	10	200mm Nylon Ties



Hex Nut



Lock Nut



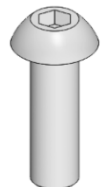
Lock Washer



Flat Washer

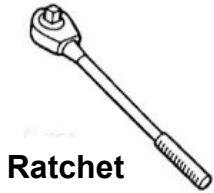


Hex Bolt



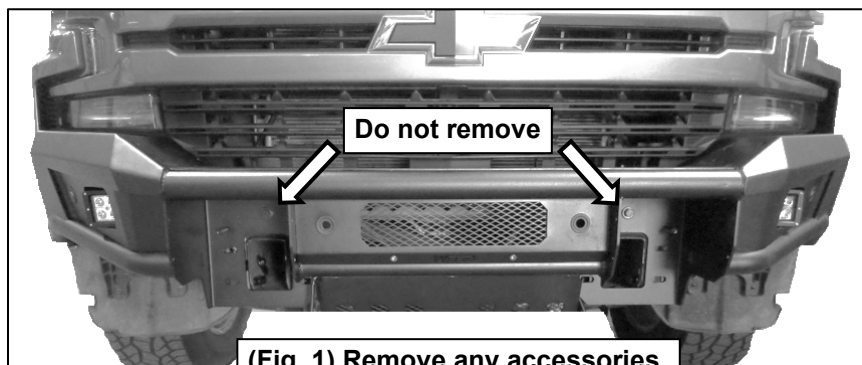
Button Head Bolt

TOOLS REQUIRED

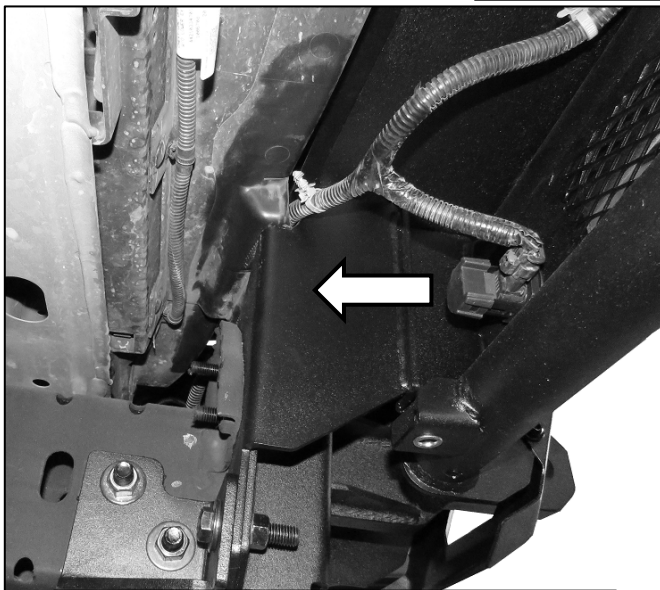


1

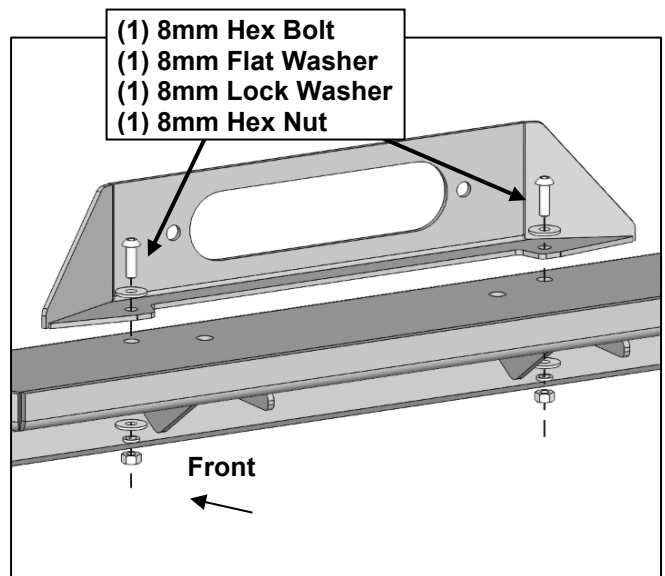
Follow (Fig. 1 -9) to install the HD Winch Tray. HD4 LD Front Bumper is required to install the HD Winch Tray



(Fig. 1) Remove any accessories installed on the Bumper, leaving the hardware in the top two Bumper mount points in place

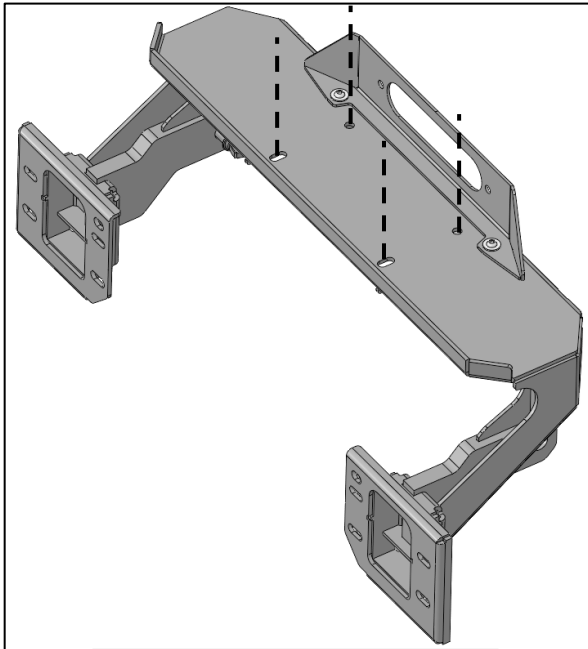


(Fig. 2) If the vehicle is equipped with front parking sensors, remove the inner sensors from the Bumper, disconnect the sensor from the factory harness, and install the Parking Sensor Wire Harness Extension



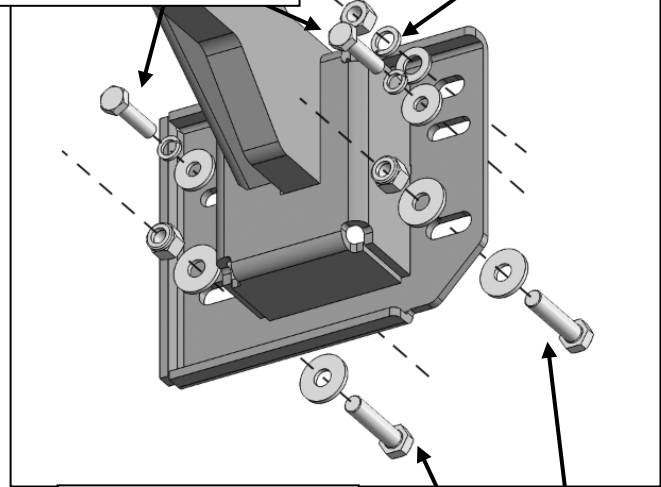
(Fig. 3) Attach Fairlead Bracket to Winch Tray

S221319 HD4 HD WINCH TRAY
2019-21 CHEVY SILVERADO 1500 (EXCLUDES 19 "LD", INCLUDES 22 "LTD")



(Fig. 4) If installing a winch, do it now before installing the Winch Tray onto the Bumper

- (2) 10x40mm Hex Bolt
- (2) 10mm Lock Washer
- (2) 10mm Flat Washer
- (1) 12x24mm Flat Washer
- (1) 12mm Lock Washer
- (1) 12mm Hex Nut



(Fig. 5) Attach Winch Tray to Vehicle and Bumper

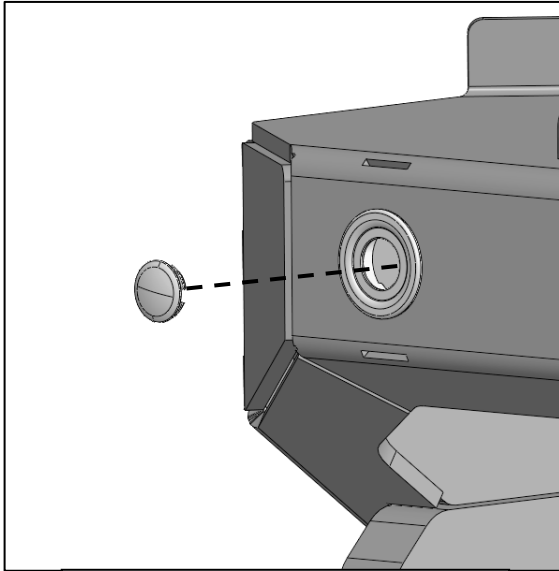
- (2) 12x50mm Hex Bolt
- (4) 12x27mm Flat Washer
- (2) 12mm Lock Nut



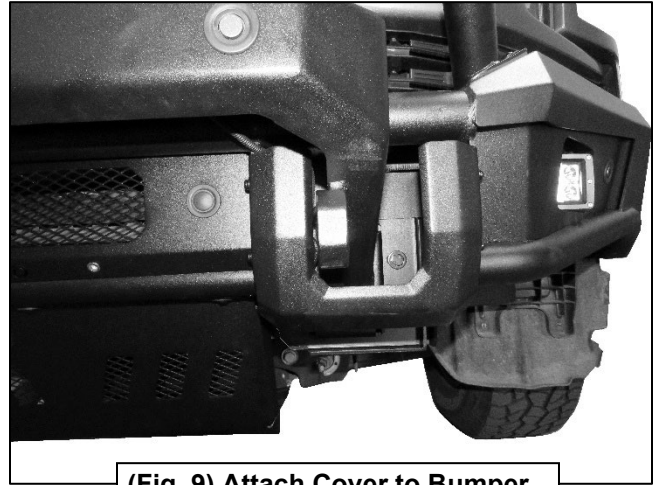
(Fig. 6) Attached Winch Tray



(Fig. 7) Attach parking sensors to Winch Tray and insert Plastic Plugs into Bumper to replace parking sensors



(Fig. 8) If vehicle is not equipped with parking sensors, insert Plastic Plugs into the Winch Tray



(Fig. 9) Attach Cover to Bumper

2

Ensure Bumper and other hardware is level and secure, then tighten all hardware. Installation is complete. Perform periodic inspections after installation to make sure that all hardware is secure and tight.



Completed Installation (BN Hoop, Lights, and Winch not included)