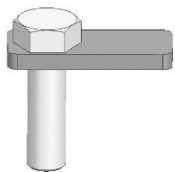
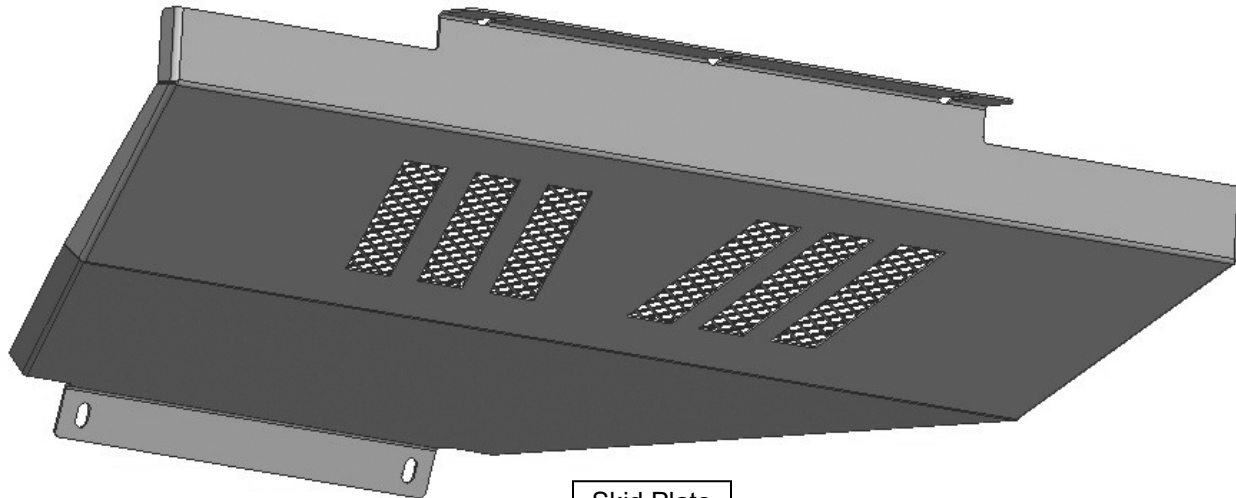
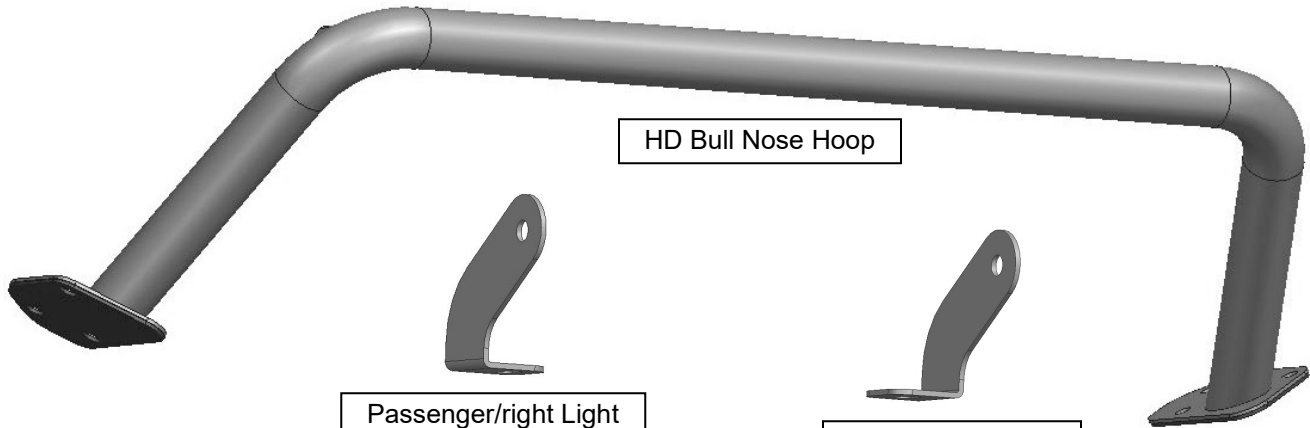


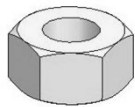
Installation Instructions

PARTS LIST:

Qty	Item Description	Qty	Item Description
1	HD4 Skid Plate	2	8-1.25mm x 25mm Hex Bolts
1	HD4 HD Bull Nose Hoop	2	8-1.25mm x 16mm Hex Bolts
1	Driver/left Light Mount Bracket	18	8mm x 24mm OD x 2mm Flat Washers
1	Passenger/right Light Mount Bracket	5	8mm x 28mm OD x 3mm Super Large Flat Washers
2	M8 Bolt Plates	15	8mm Lock Washers
2	8mm Plastic Retainers	10	8mm Hex Nuts
9	8-1.25mm x 25mm Button Head Bolts	1	5mm Allen Wrench



Bolt Plate



Hex Nut



Lock Washer



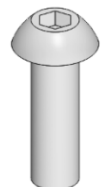
Flat Washer



Plastic Retainer

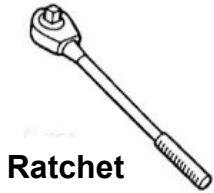


Hex Bolt

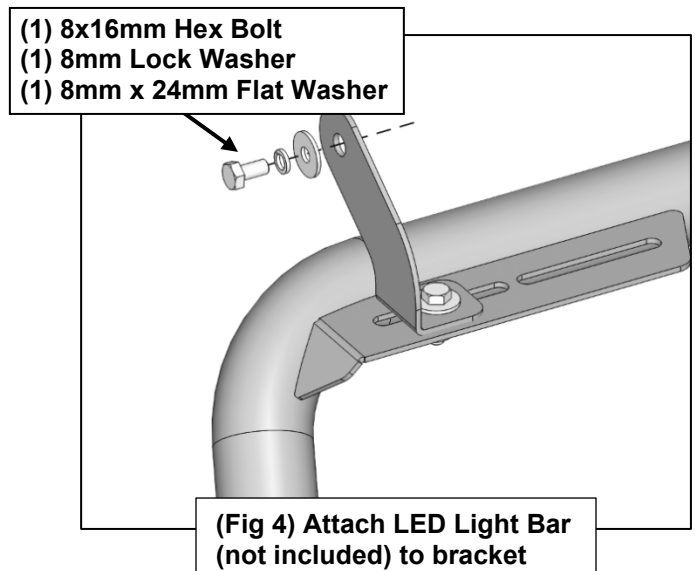
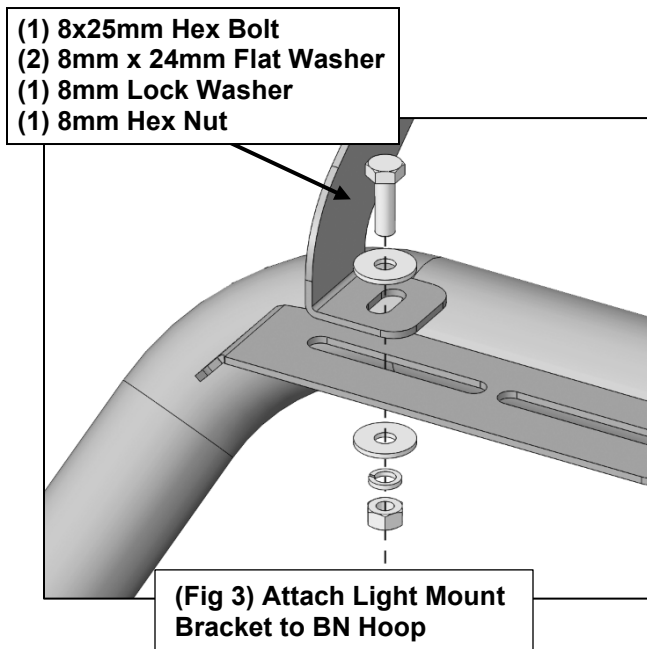
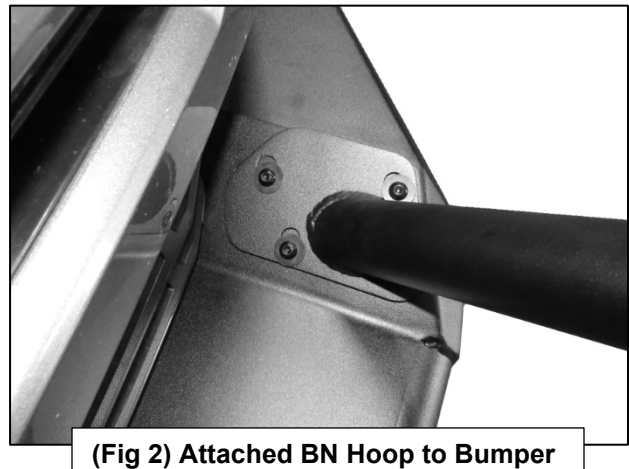
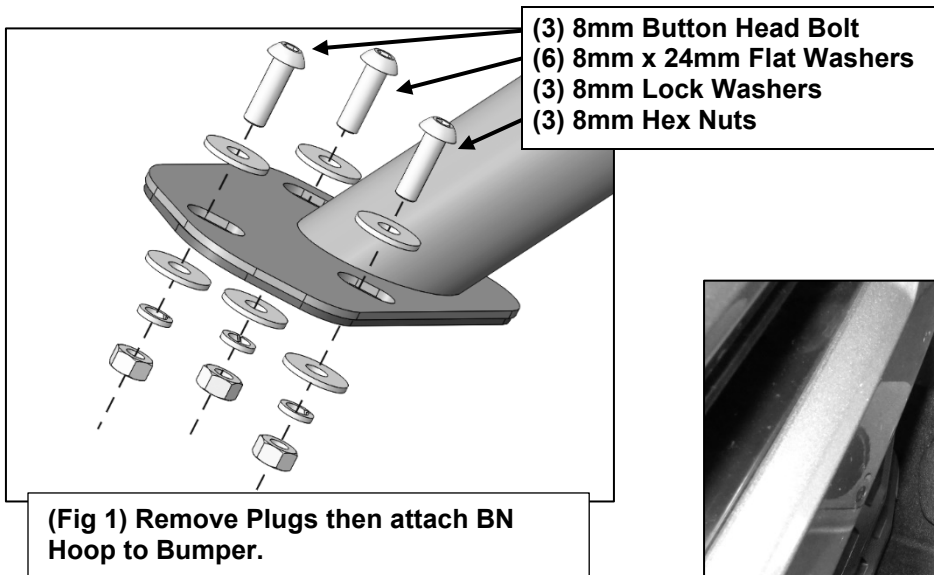


Button Head Bolt

TOOLS REQUIRED



1 Follow (Fig 1 -11) to attach HD BN Hoop and Skid Plate. Ensure hardware is hand tightened.



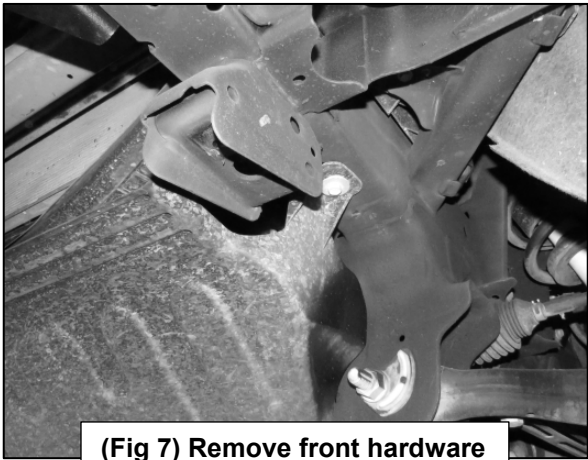
S221320 HD4 HD BN HOOP AND SKID PLATE
2019-21 CHEVY SILVERADO 1500 (INCLUDES 22 "LTD", EXCLUDES 19 "LD")



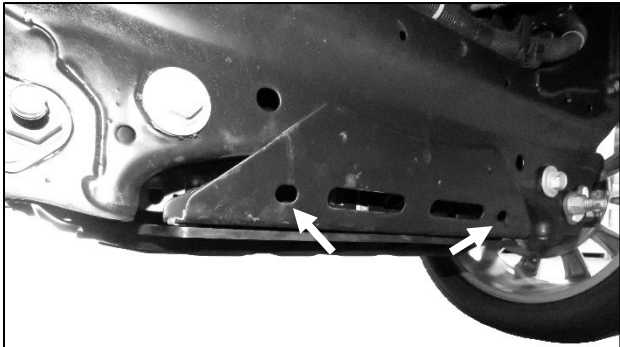
(Fig 5) Attached LED Light Bracket and LED Light Bar



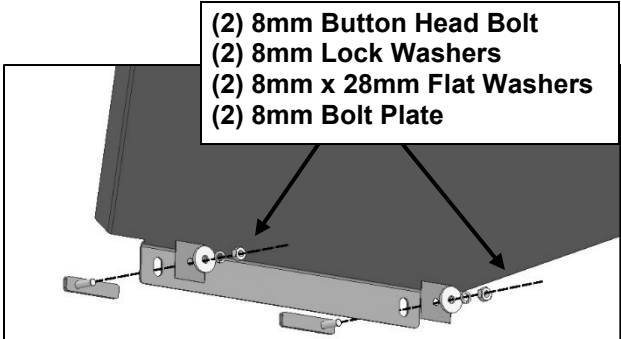
(Fig 6) Remove rear hardware for factory skid plate



(Fig 7) Remove front hardware for factory skid plate

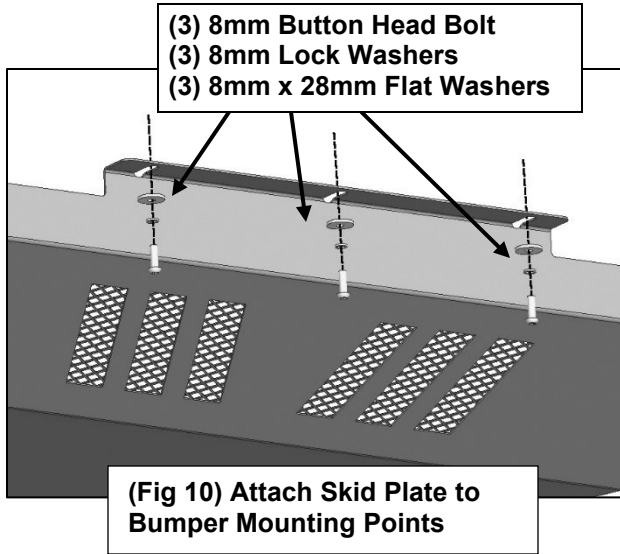


(Fig 8) Locate Rear Mounting Points to attach bottom of Skid Plate.



(Fig 9) Attach Bolt Plates to Rear Mounting Points and attach Skid Plate with indicated hardware.

S221320 HD4 HD BN HOOP AND SKID PLATE
2019-21 CHEVY SILVERADO 1500 (INCLUDES 22 "LTD", EXCLUDES 19 "LD")



2

Ensure BN Hoop and Skid Plate is level and secure, then tighten all hardware. Installation is complete. Perform periodic inspections to the installation to make sure that all hardware is secure and tight.

