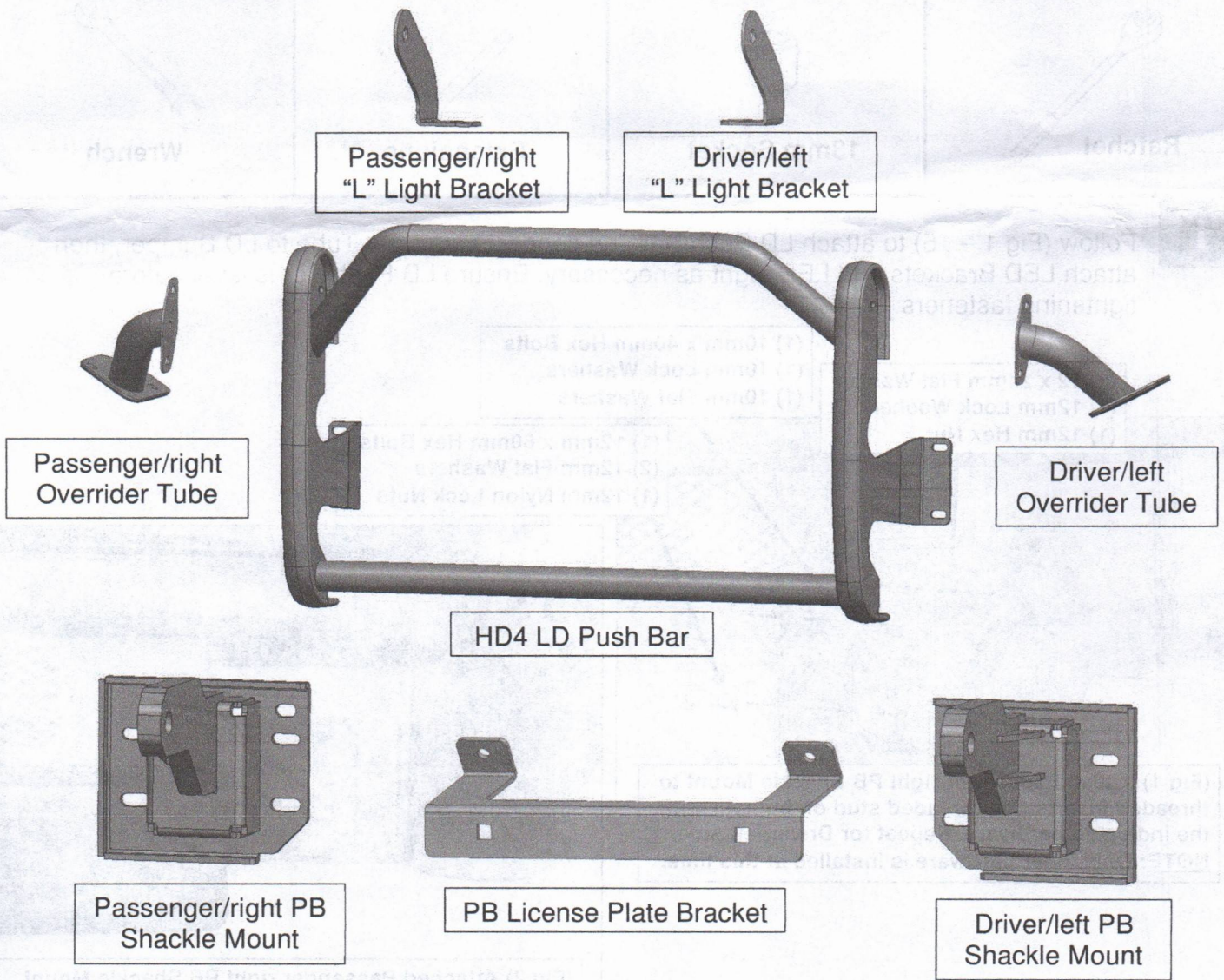


Installation Instructions

PARTS LIST: S221321

Qty	Item Description	Qty	Item Description
1	HD4 LD Push Bar	2	12mm Hex Nuts
1	Driver/left PB Shackle Mount	4	10-1.5mm x 40mm Hex Bolts
1	Passenger/right PB Shackle Mount	4	10mm x 27mm OD x 3mm Large Flat Washers
1	Driver/left Override Tube	4	10mm Lock Washers
1	Passenger/right Override Tube	10	8-1.25mm x 25mm Button Head Bolts
1	Driver/left "L" Light Bracket	2	8-1.25mm x 25mm Hex Bolts
1	Passenger/right "L" Light Bracket	2	8-1.25mm x 16mm Hex Bolts
1	PB License Plate Bracket	22	8mm x 24mm x 2mm STD Flat Washers
2	License Plate Plastic Plugs	4	8mm x 16mm x 1.6mm Small Flat Washers
4	12-1.75mm x 50mm Hex Bolts	14	8mm Lock Washers
8	12mm x 32mm x 3mm Flat Washers	12	8mm Hex Nuts
2	12mm x 24mm x 2.5mm Flat Washers	2	6-1.0mm x 20mm Button Head Combo Bolts
2	12mm Lock Washers	1	5mm Wrench
4	12mm Nylon Lock Nuts	1	4mm Wrench

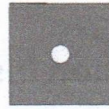




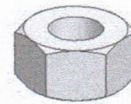
Lock Washer



Flat Washer



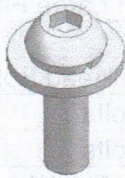
Plastic Retainer



Hex Nut



Nylon Lock Nut



Button Head Combo Bolt



Hex Bolt



Button Head Bolt



Plastic Plug for License Plate Mount

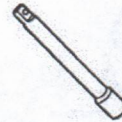
TOOLS REQUIRED



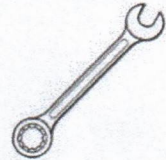
Ratchet



13mm Socket



Extensions



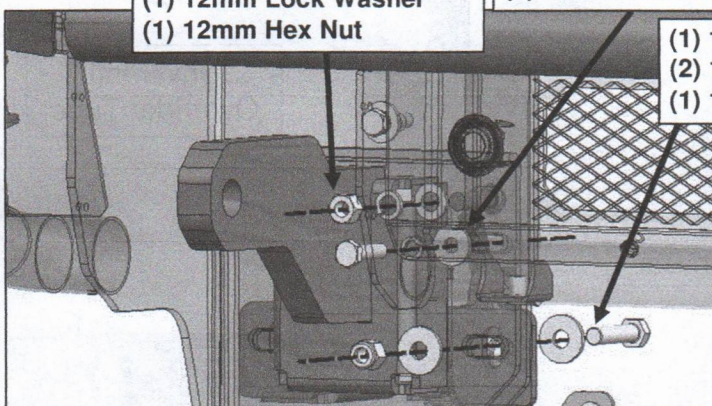
Wrench

1 Follow (Fig 1 – 15) to attach LD Push Bar and connect Override Tube to LD Bumper, then attach LED Brackets and LED Light as necessary. Ensure LD Push Bar is level before tightening fasteners.

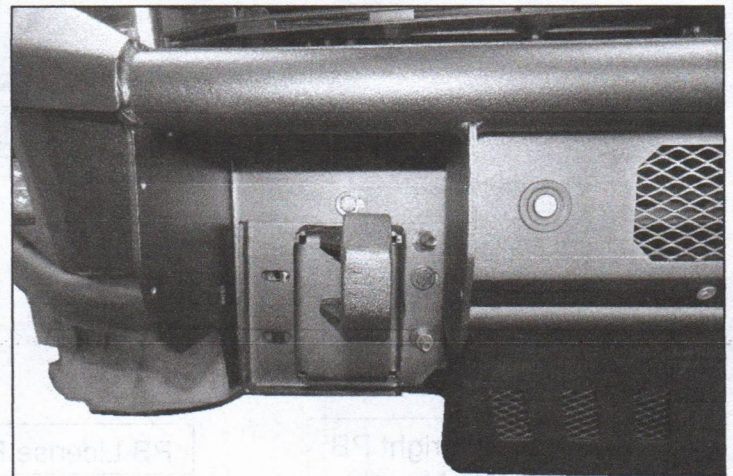
- (1) 12 x 24mm Flat Washer
- (1) 12mm Lock Washer
- (1) 12mm Hex Nut

- (1) 10mm x 40mm Hex Bolts
- (1) 10mm Lock Washers
- (1) 10mm Flat Washers

- (1) 12mm x 60mm Hex Bolts
- (2) 12mm Flat Washers
- (1) 12mm Nylon Lock Nuts



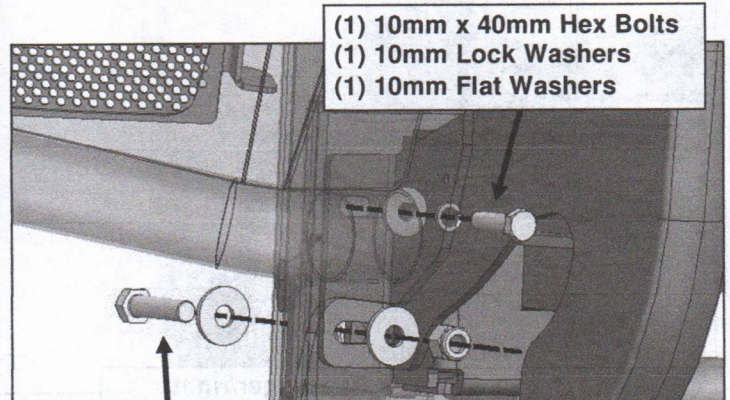
(Fig 1) Attach Passenger/right PB Shackle Mount to threaded inserts and threaded stud on bumper with the indicated hardware. Repeat for Driver/left side. NOTE: Only inner hardware is installed at this time.



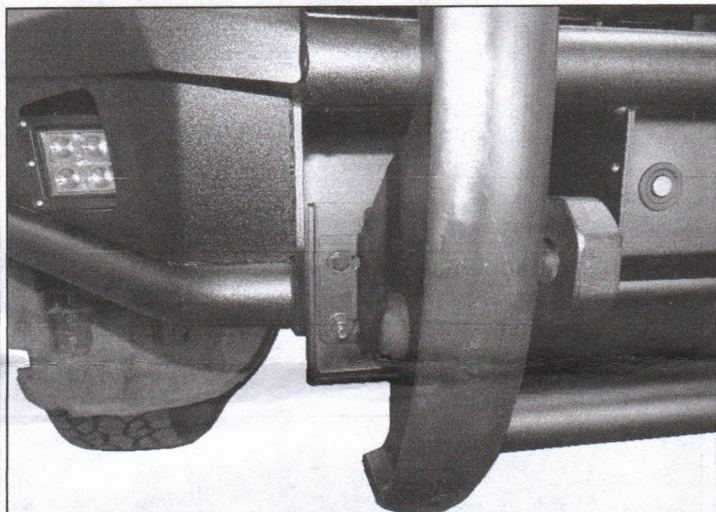
(Fig 2) Attached Passenger/right PB Shackle Mount.



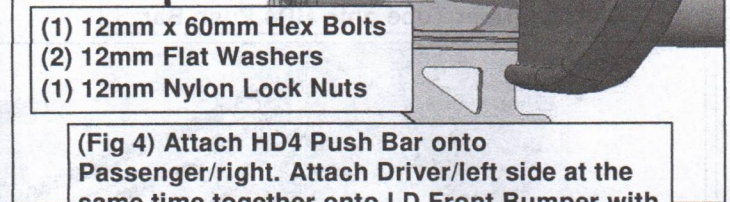
(Fig 3) Attached Driver/left PB Shackle Mount.



- (1) 10mm x 40mm Hex Bolts
- (1) 10mm Lock Washers
- (1) 10mm Flat Washers

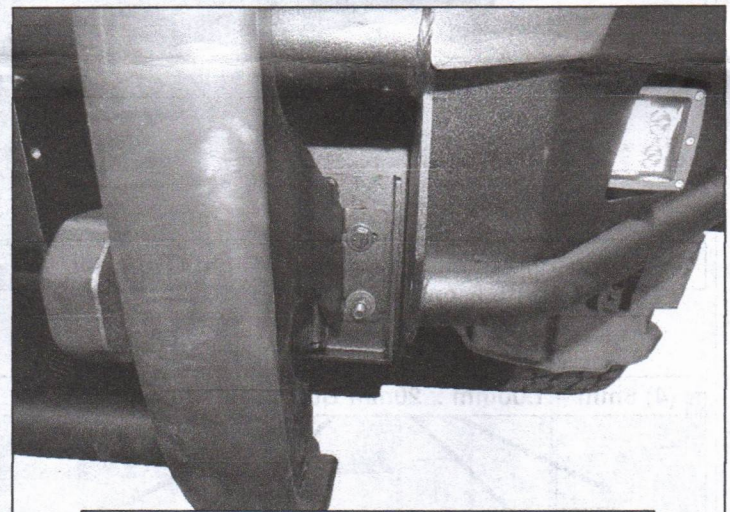


(Fig 5) Attached Passenger/right side of Push Bar.

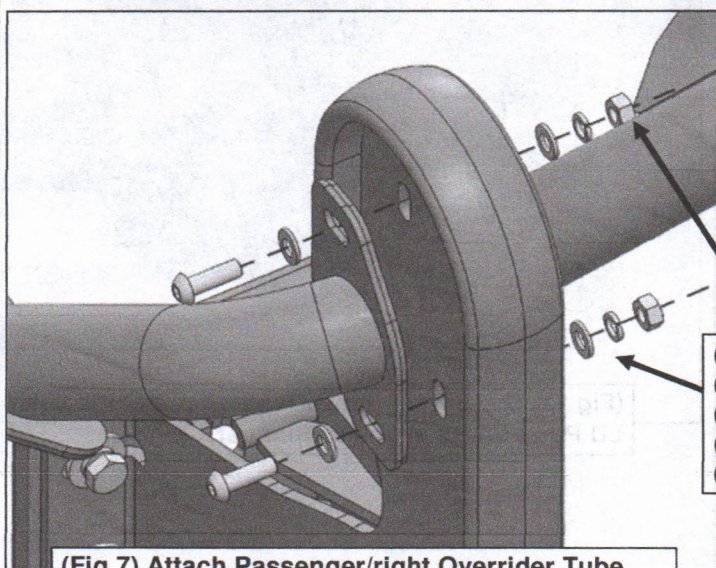


- (1) 12mm x 60mm Hex Bolts
- (2) 12mm Flat Washers
- (1) 12mm Nylon Lock Nuts

(Fig 4) Attach HD4 Push Bar onto Passenger/right. Attach Driver/left side at the same time together onto LD Front Bumper with indicated hardware.



(Fig 6) Attached Driver/left side of Push Bar.



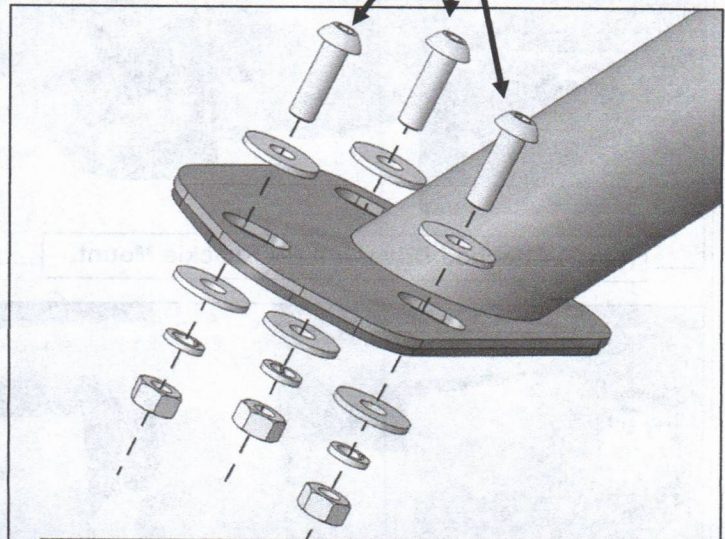
- (2) 8 - 1.25mm x 25mm Button Head Bolts
- (2) 8mm x 16mm x 1.6mm Flat Washers
- (2) 8mm x 24mm x 2mm Flat Washers
- (2) 8mm Lock Washer
- (2) 8mm Hex Nut

(Fig 7) Attach Passenger/right Override Tube onto HD4 Push Bar with indicated hardware. Repeat on Driver/left side.

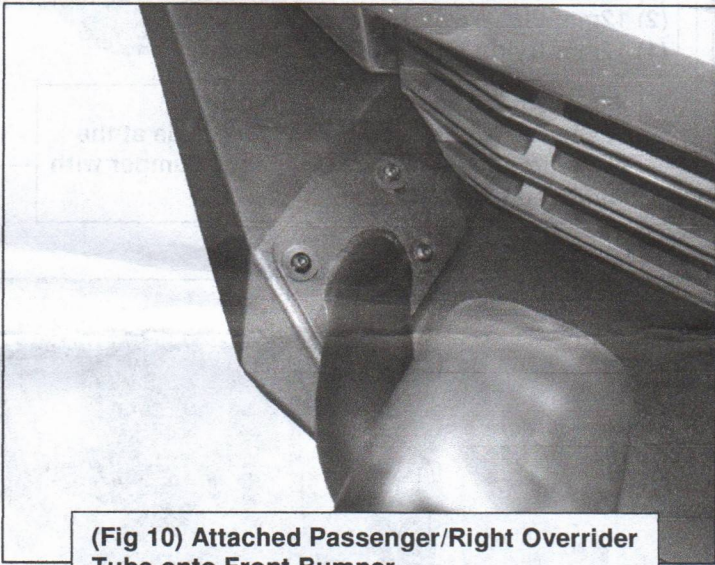


**(Fig 8) Attached Passenger/right
Override Tube onto HD4 Push Bar.**

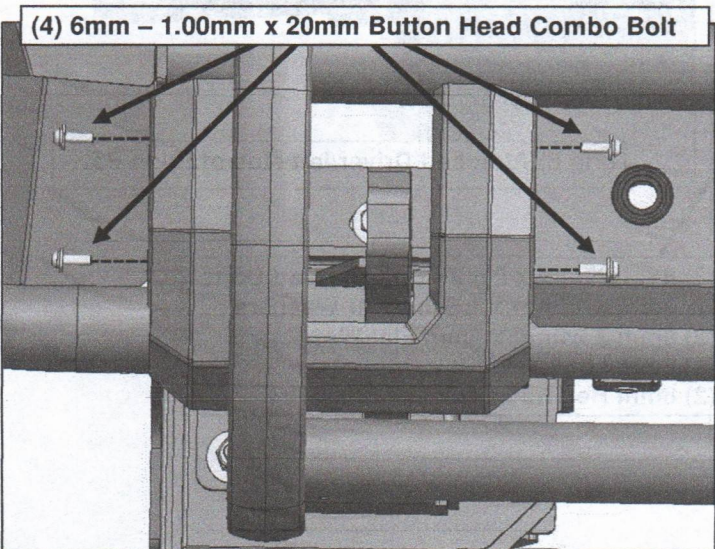
- (2) 8 – 1.25mm x 25mm Button Head Bolts**
- (6) 8mm x 24mm x 2mm Flat Washers**
- (2) 8mm Lock Washer**
- (2) 8mm Hex Nut**



**(Fig 9) Attach Passenger/Right Override Tube to
Front Bumper with indicated hardware. Repeat
on Driver/left side.**

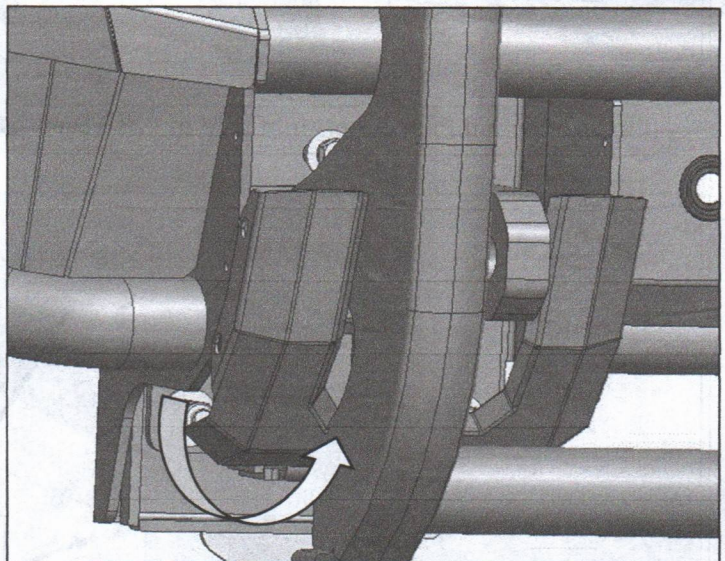


**(Fig 10) Attached Passenger/Right Override
Tube onto Front Bumper.**

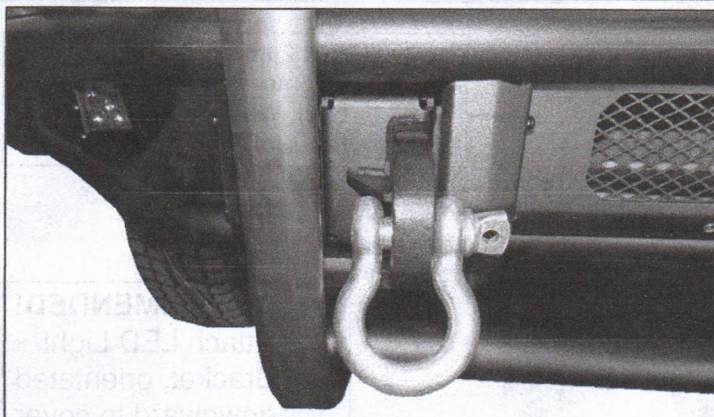


- (4) 6mm – 1.00mm x 20mm Button Head Combo Bolt**

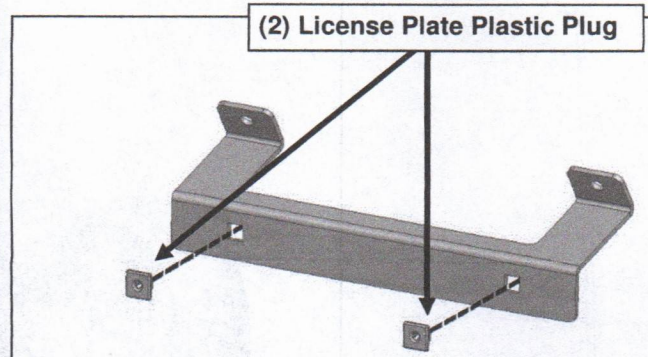
(Fig 12) Attach U – Cover Plate with indicated hardware.



**(Fig 11) Slide in U – Cover Plate from behind
LD Push Bar to attach to Bumper.**

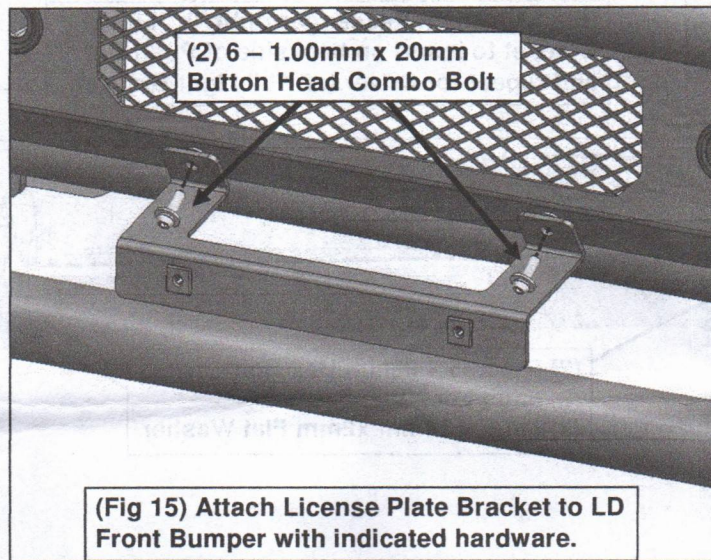


(Fig 13) Attached U — Cover Plate on Passenger/right side and repeat on driver side.
NOTE: Tow hook not included



(2) License Plate Plastic Plug

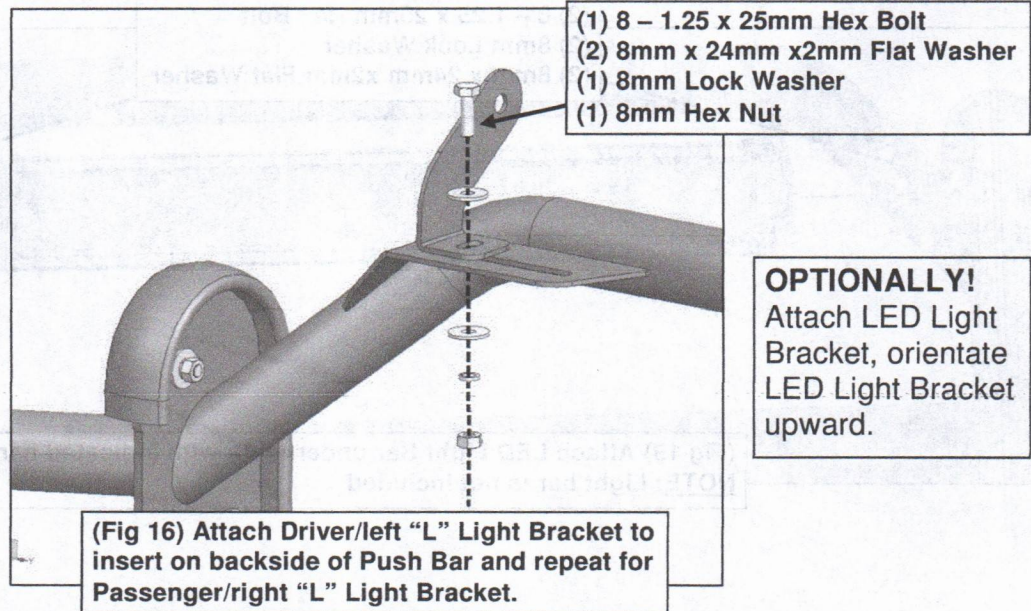
(Fig 14) Attach License Plate Plastic Plugs to License Plate Bracket.

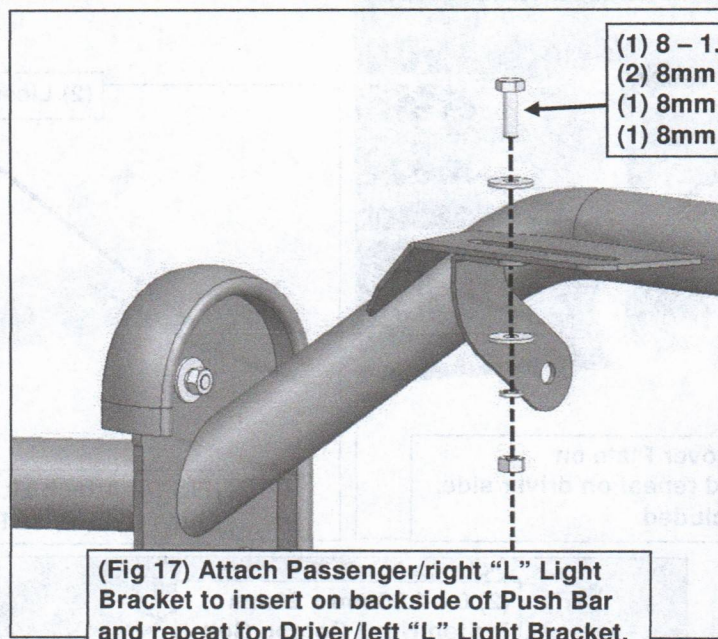


(2) 6 – 1.00mm x 20mm Button Head Combo Bolt

(Fig 15) Attach License Plate Bracket to LD Front Bumper with indicated hardware.

2 Follow (Fig 16 - 19) to attach LED Brackets and LED Bar (not included). Ensure all fasteners are hand tightened at this point. Orientation of LED Light Brackets based on your preference.

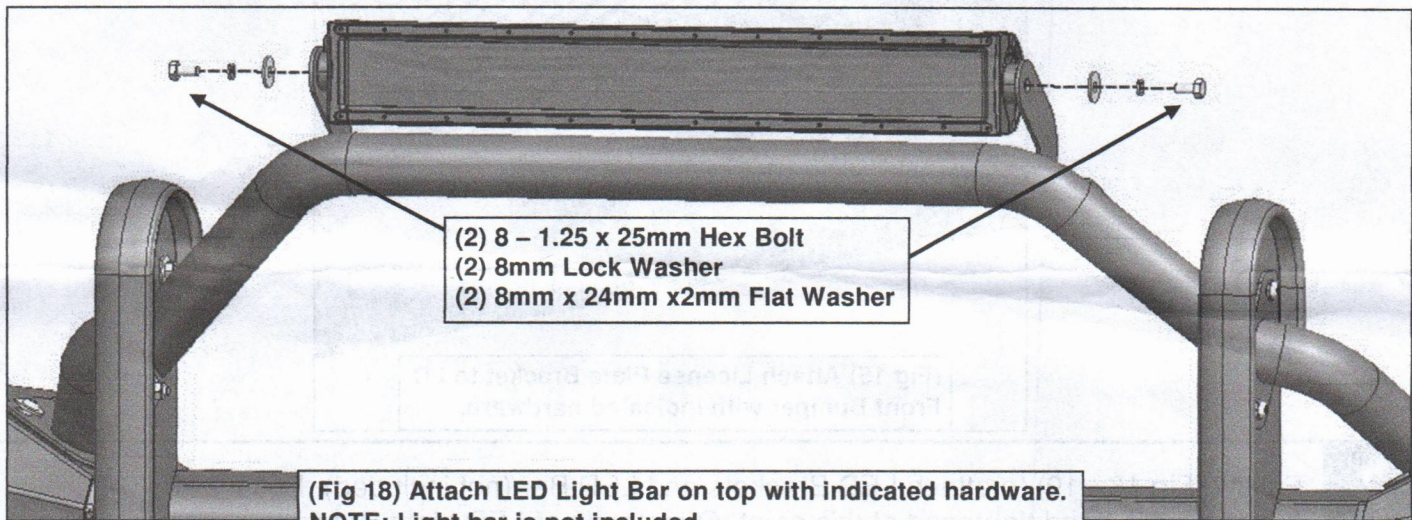




- (1) 8 – 1.25 x 25mm Hex Bolt
- (2) 8mm x 24mm x2mm Flat Washer
- (1) 8mm Lock Washer
- (1) 8mm Hex Nut

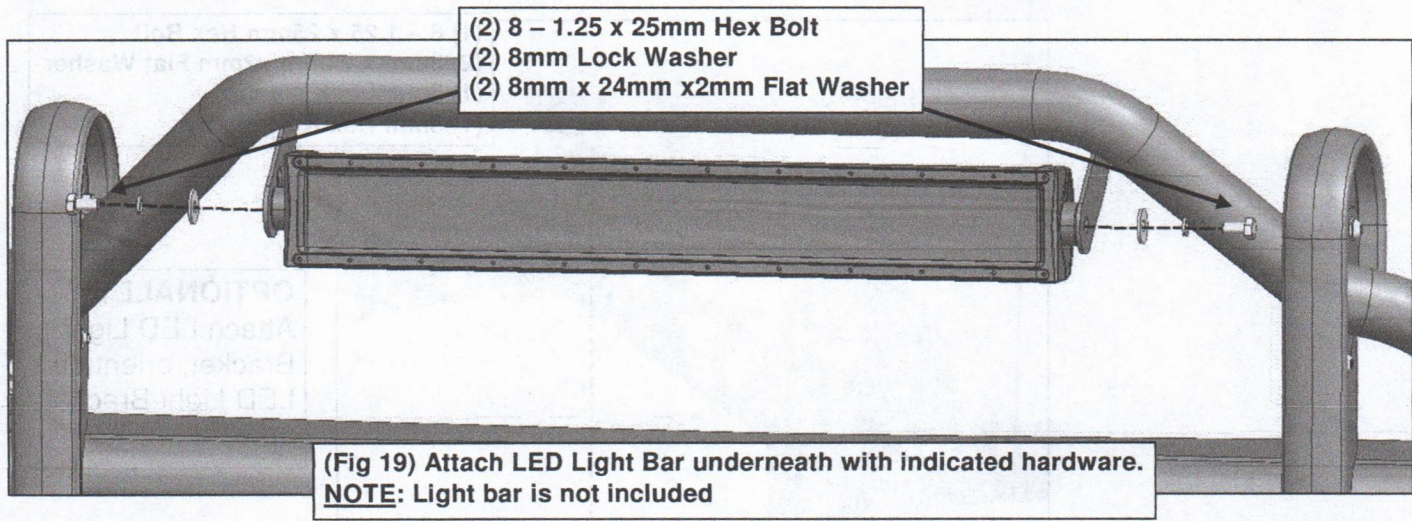
RECOMMENDED!
 Attach LED Light Bracket, orientated downward to cover center grill area for cleaner look.

(Fig 17) Attach Passenger/right "L" Light Bracket to insert on backside of Push Bar and repeat for Driver/left "L" Light Bracket.



- (2) 8 – 1.25 x 25mm Hex Bolt
- (2) 8mm Lock Washer
- (2) 8mm x 24mm x2mm Flat Washer

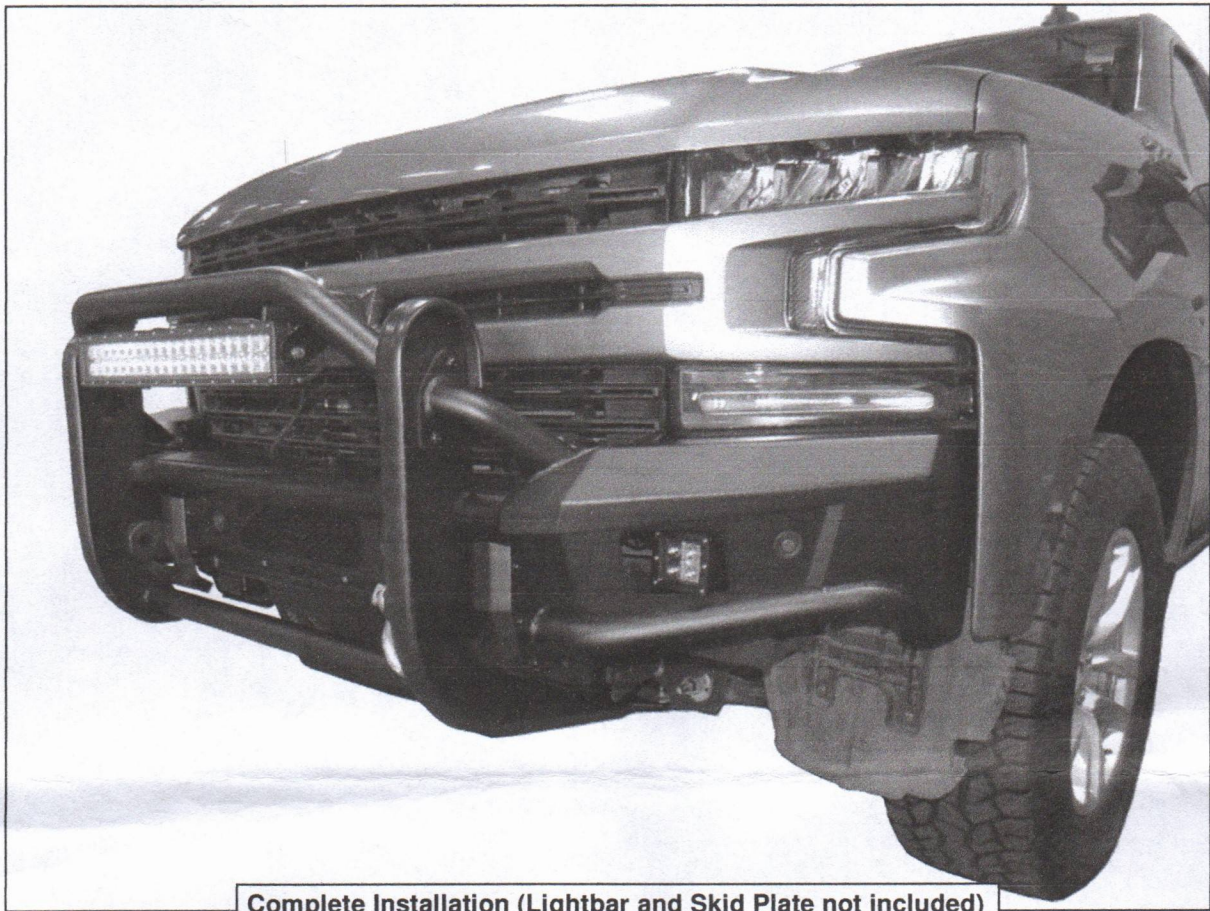
(Fig 18) Attach LED Light Bar on top with indicated hardware. NOTE: Light bar is not included



- (2) 8 – 1.25 x 25mm Hex Bolt
- (2) 8mm Lock Washer
- (2) 8mm x 24mm x2mm Flat Washer

(Fig 19) Attach LED Light Bar underneath with indicated hardware. NOTE: Light bar is not included

- 3** Ensure Push Bar is level and properly fit, then tighten all fasteners. Installation is complete. Do periodic inspections to the installation to make sure that all hardware is secure and tight.



Complete Installation (Lightbar and Skid Plate not included)