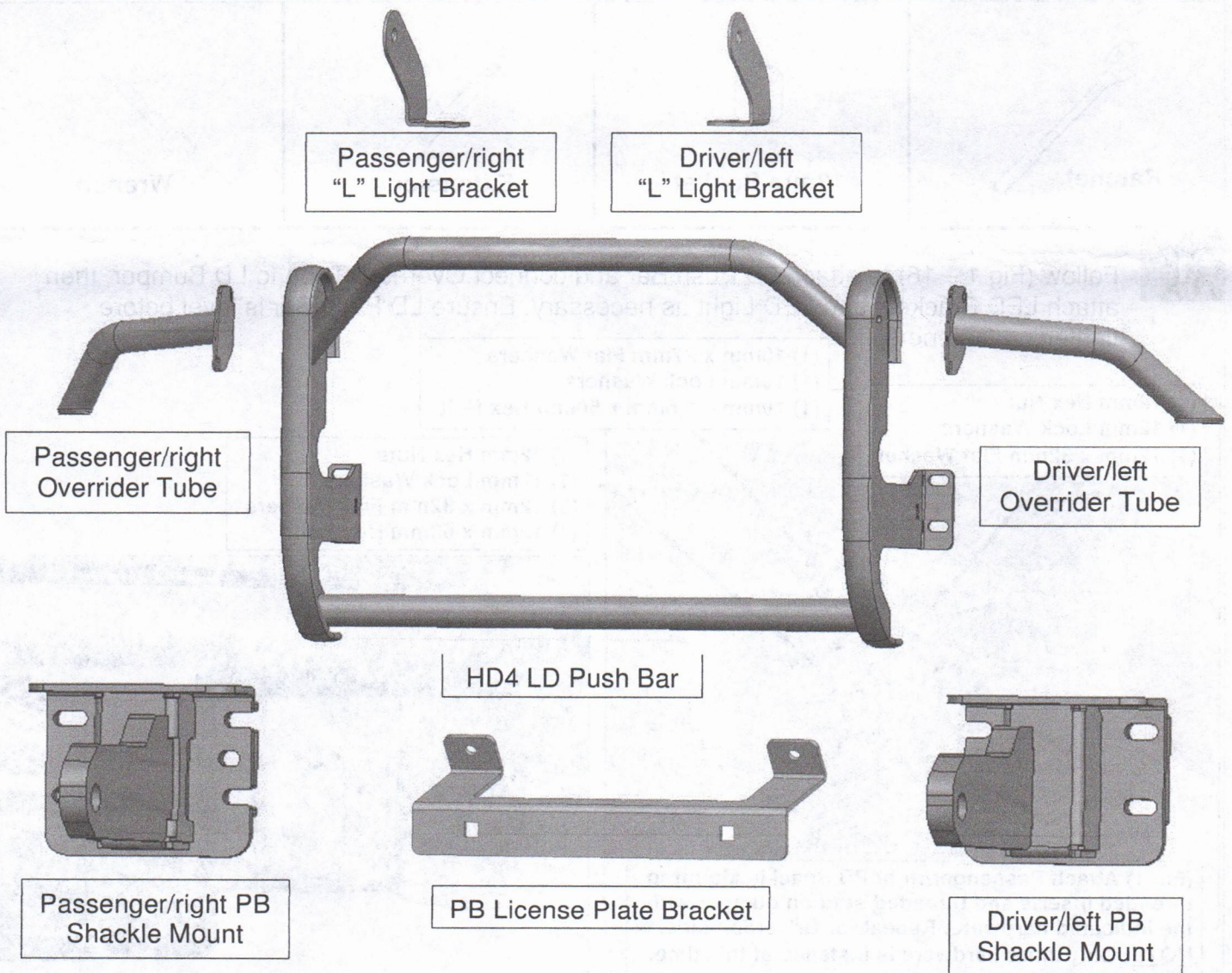


Installation Instructions

PARTS LIST: S223233

Qty	Item Description	Qty	Item Description
1	Push Bar	10	8mm Lock Washers
1	DS/Left Wing Tube	6	8mm Hex Nuts
1	PS/Right Wing Tube	8	8mm x 16mm x 1.6mm Flat Washers
1	DS/Driver Shackle Mount	2	8 – 1.25mm x 16mm Hex Bolts
1	PS/Right Shackle Mount	6	12mm Hex Nuts
2	Plastic Plug for License Plate	10	12mm x 32mm x 3mm Flat Washers
2	6 – 1.00mm x 20mm Combo Bolts	4	12 – 1.75mm x 60 Hex Bolts
1	Driver/Left Light Mount Bracket	6	12mm Lock Washers
1	Passenger/Right Light Mount Bracket	4	10mm Lock Washers
1	License Plate Bracket	4	10mm x 27mm x 3mm Flat Washers
4	8 – 1.25mm x 25mm Hex Bolts	4	10 – 1.5mm x 50mm Hex Bolts
8	8mm x 24mm x 2mm Flat Washers	1	Allen Wrench S=4
4	8 – 1.25mm x 25mm Button Head Allen Bolts	1	Allen Wrench S=5

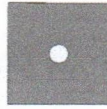




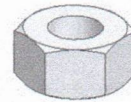
Lock Washer



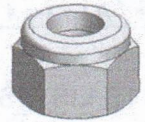
Flat Washer



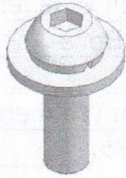
Plastic Retainer



Hex Nut



Nylon Lock Nut



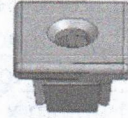
Button Head Combo Bolt



Hex Bolt



Button Head Bolt



Plastic Plug for License Plate Mount

TOOLS REQUIRED



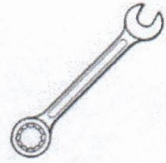
Ratchet



13mm Socket



Extensions



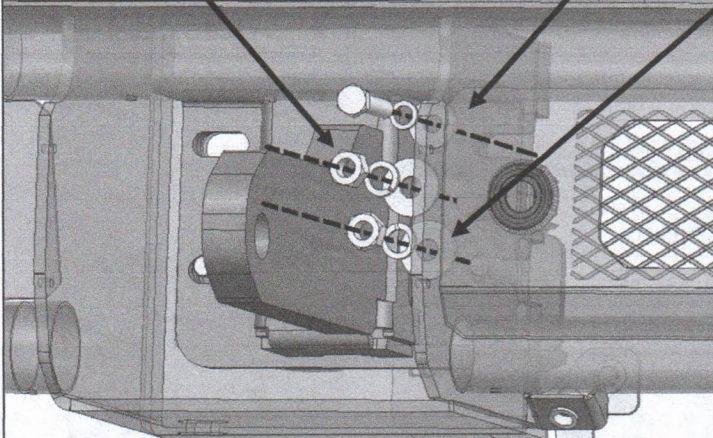
Wrench

1 Follow (Fig 1 – 16) to attach LD Push Bar and connect Override Tube to LD Bumper, then attach LED Brackets and LED Light as necessary. Ensure LD Push Bar is level before tightening fasteners.

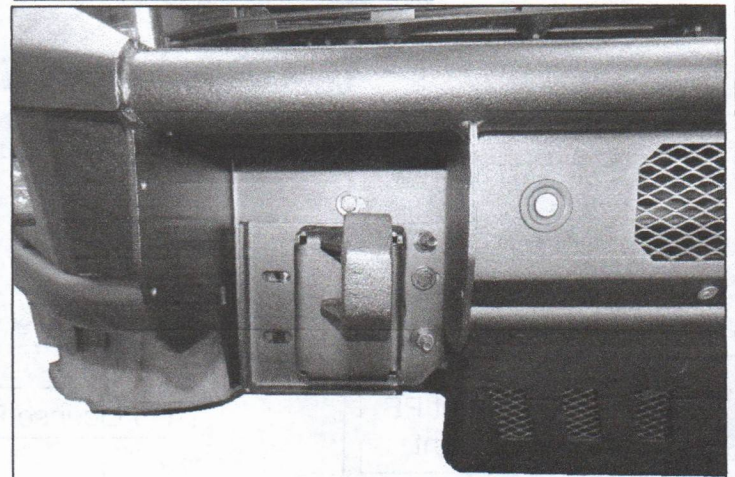
- (1) 12mm Hex Nut
- (1) 12mm Lock Washers
- (1) 12mm x 32mm Flat Washer

- (1) 10mm x 27mm Flat Washers
- (1) 10mm Lock Washers
- (1) 10mm – 1.5mm x 50mm Hex Bolt

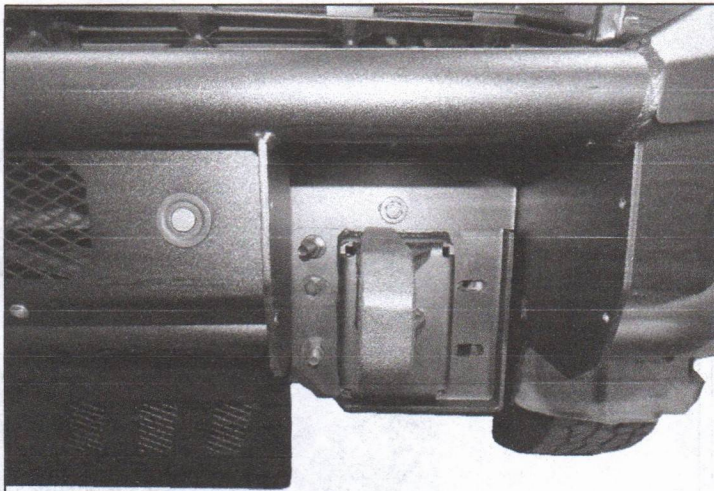
- (1) 12mm Hex Nuts
- (1) 12mm Lock Washers
- (2) 12mm x 32mm Flat Washers
- (1) 12mm x 60mm Hex Bolt



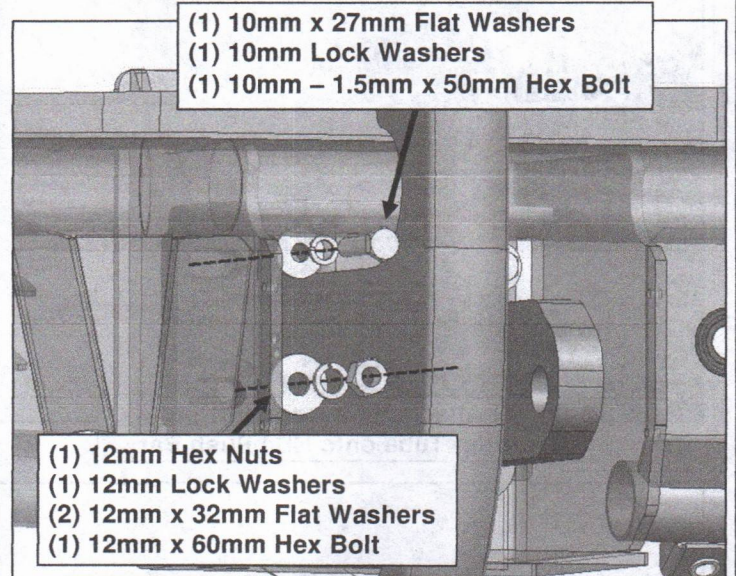
(Fig 1) Attach Passenger/right PB Shackle Mount to threaded inserts and threaded stud on bumper with the indicated hardware. Repeat for Driver/left side. **NOTE:** Only inner hardware is installed at this time.



(Fig 2) Attached Passenger/right PB Shackle Mount.



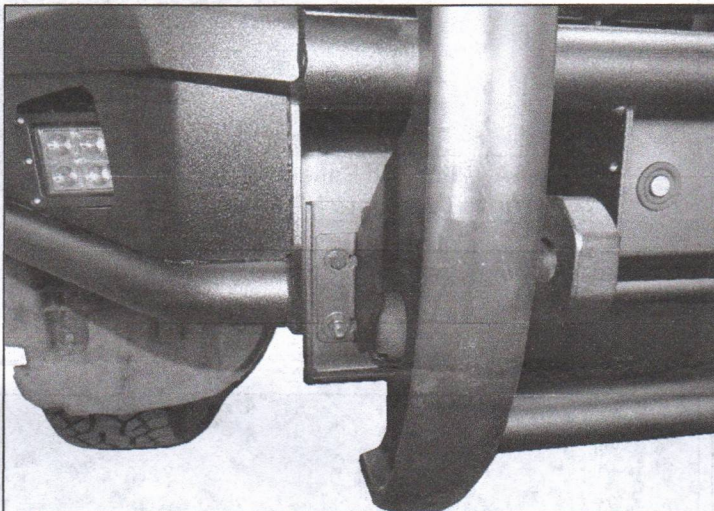
(Fig 3) Attached Driver/left PB Shackle Mount.



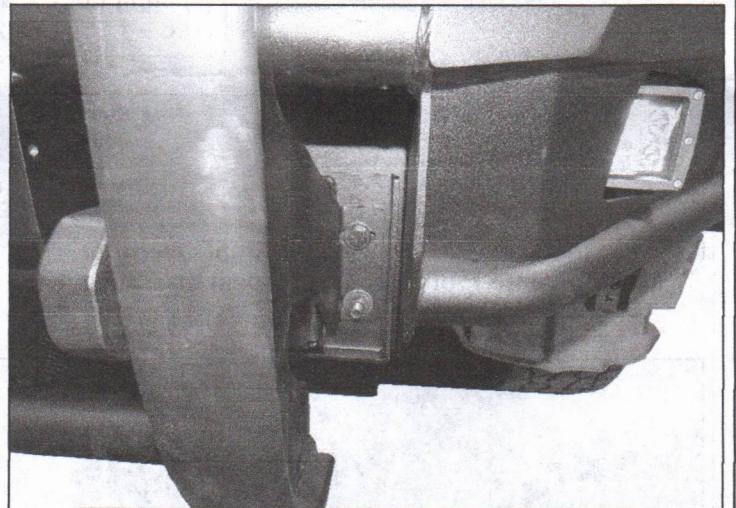
- (1) 10mm x 27mm Flat Washers
- (1) 10mm Lock Washers
- (1) 10mm – 1.5mm x 50mm Hex Bolt

- (1) 12mm Hex Nuts
- (1) 12mm Lock Washers
- (2) 12mm x 32mm Flat Washers
- (1) 12mm x 60mm Hex Bolt

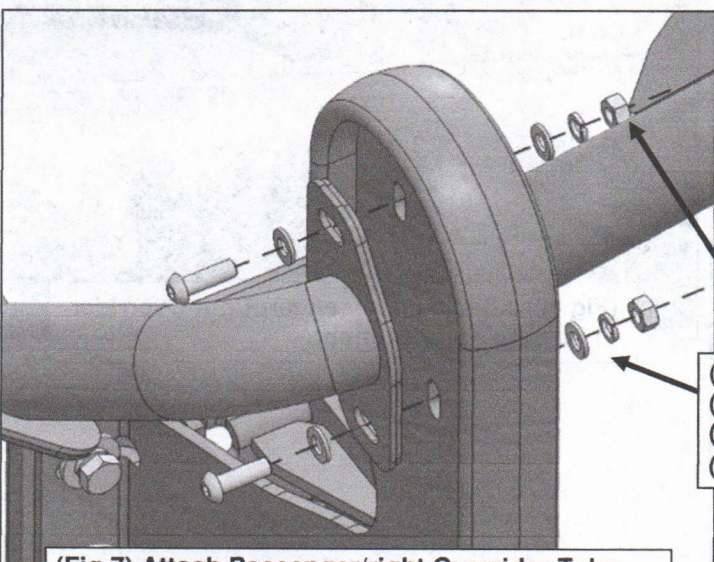
(Fig 4) Attach HD4 Push Bar onto Passenger/right. Attach Driver/left side at the same time together onto LD Front Bumper with indicated hardware.



(Fig 5) Attached Passenger/right side of Push Bar.

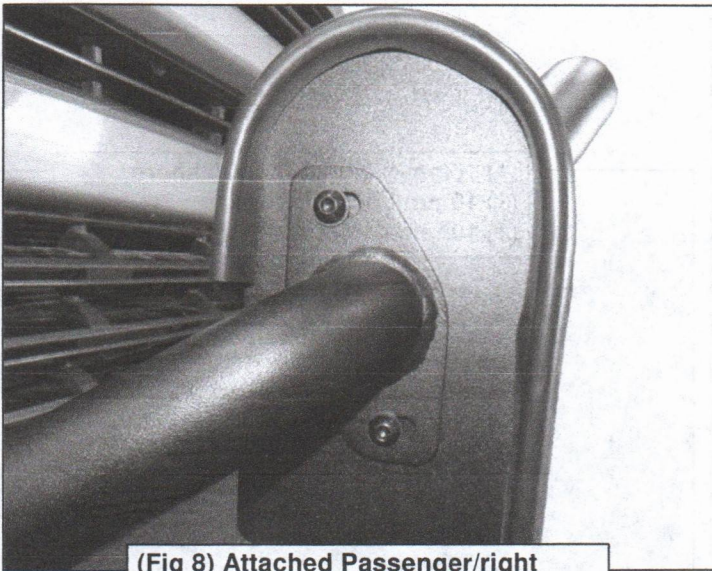


(Fig 6) Attached Driver/left side of Push Bar.

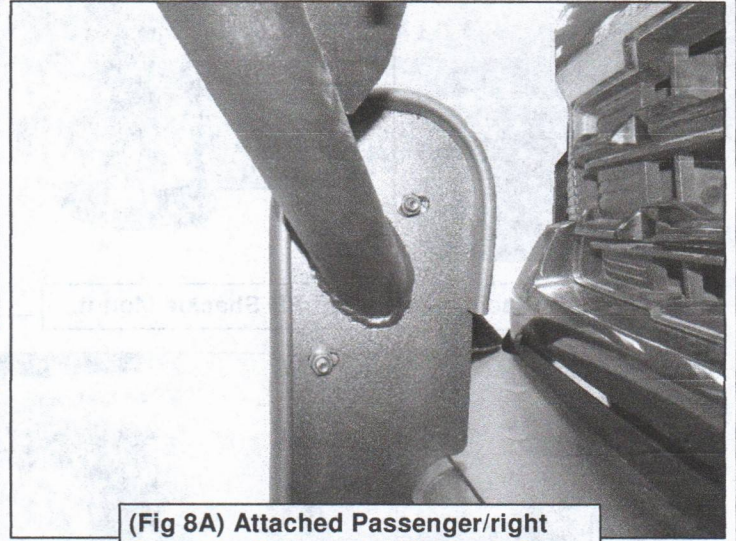


- (2) 8 – 1.25mm x 25mm Button Head Allen Bolts
- (4) 8mm x 16mm x 1.6mm Flat Washers
- (2) 8mm Lock Washer
- (2) 8mm Hex Nut

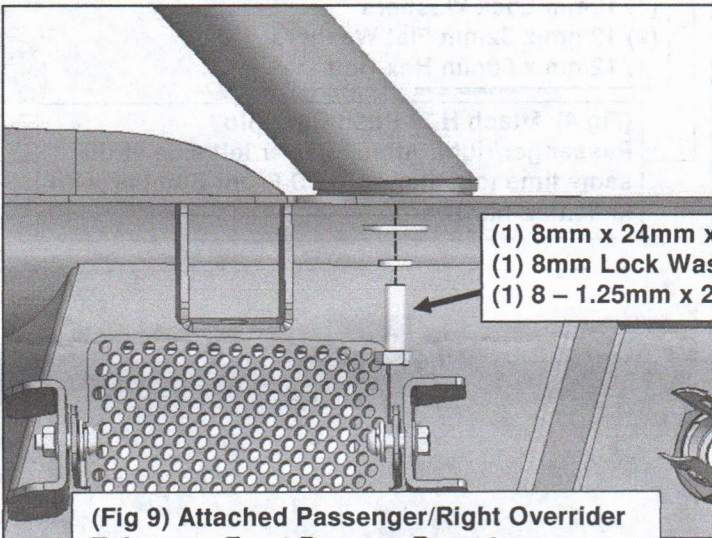
(Fig 7) Attach Passenger/right Override Tube onto HD4 Push Bar with indicated hardware. Repeat on Driver/left side.



**(Fig 8) Attached Passenger/right
Override Tube onto HD4 Push Bar.**

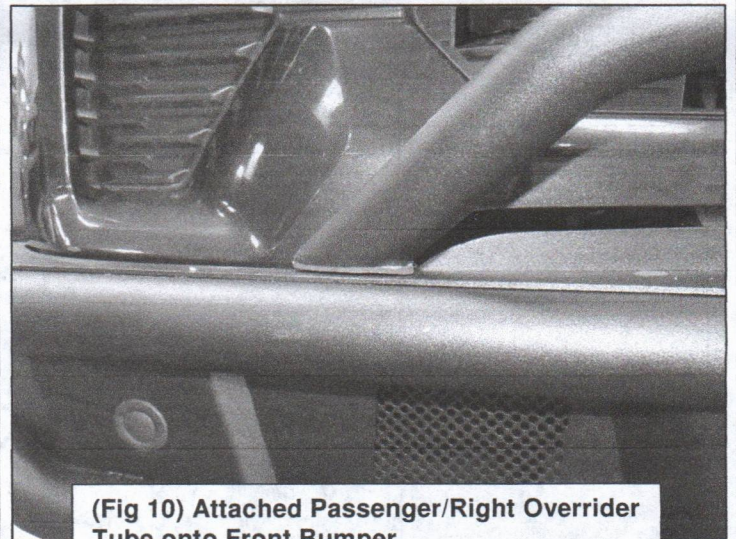


**(Fig 8A) Attached Passenger/right
Override Tube onto HD4 Push Bar.**

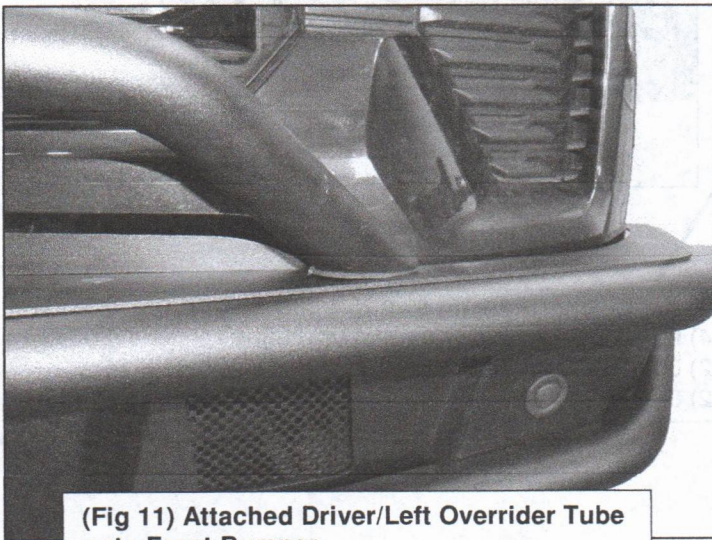


- (1) 8mm x 24mm x 2mm Flat Washers
- (1) 8mm Lock Washer
- (1) 8 - 1.25mm x 25mm Hex Bolts

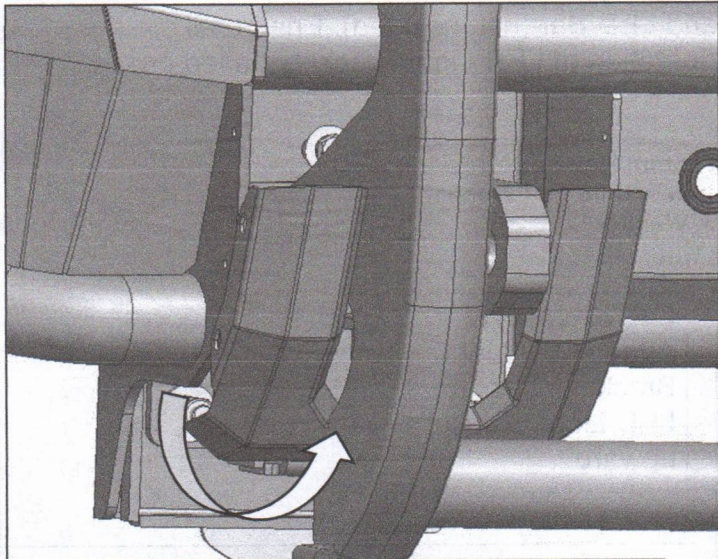
**(Fig 9) Attached Passenger/Right Override
Tube onto Front Bumper. Repeat on
Driver/left side.**



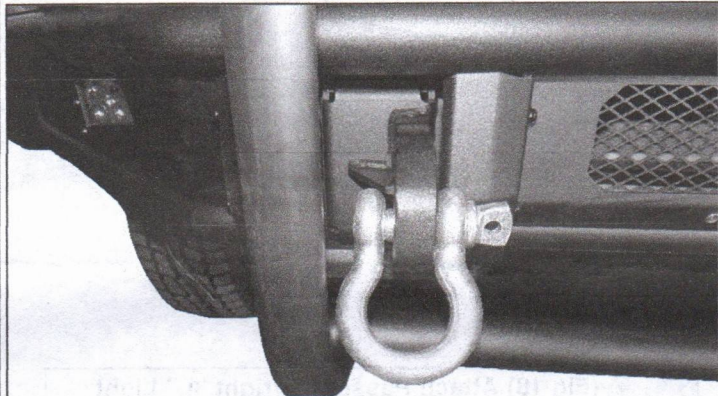
**(Fig 10) Attached Passenger/Right Override
Tube onto Front Bumper.**



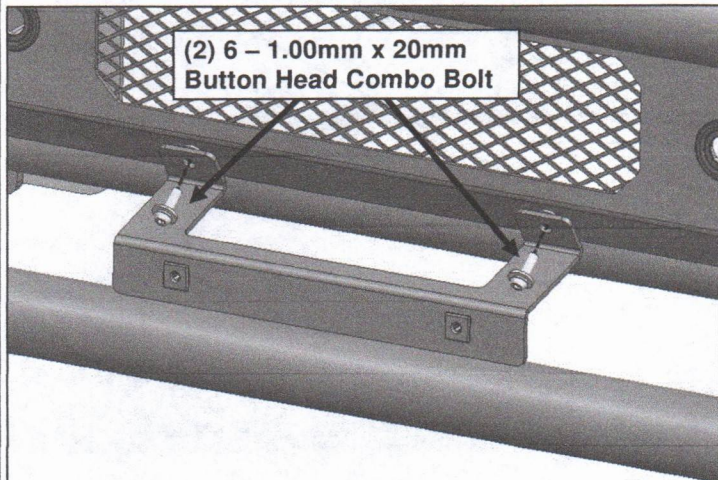
**(Fig 11) Attached Driver/Left Override Tube
onto Front Bumper.**



(Fig 12) Slide in U – Cover Plate from behind LD Push Bar to attach to Bumper.

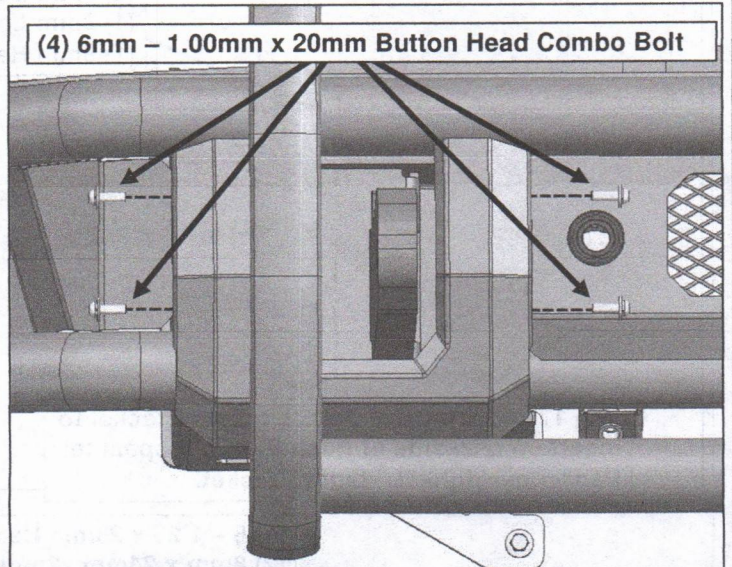


(Fig 14) Attached U — Cover Plate on Passenger/right side and repeat on driver side.
NOTE: Tow hook not included



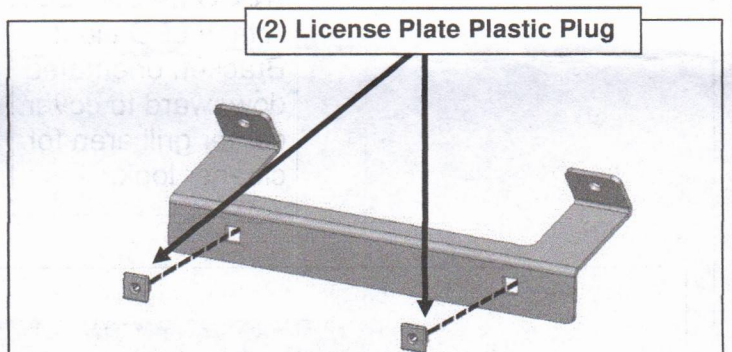
(2) 6 – 1.00mm x 20mm Button Head Combo Bolt

(Fig 16) Attach License Plate Bracket to LD Front Bumper with indicated hardware.



(4) 6mm – 1.00mm x 20mm Button Head Combo Bolt

(Fig 13) Attach U – Cover Plate with indicated hardware.

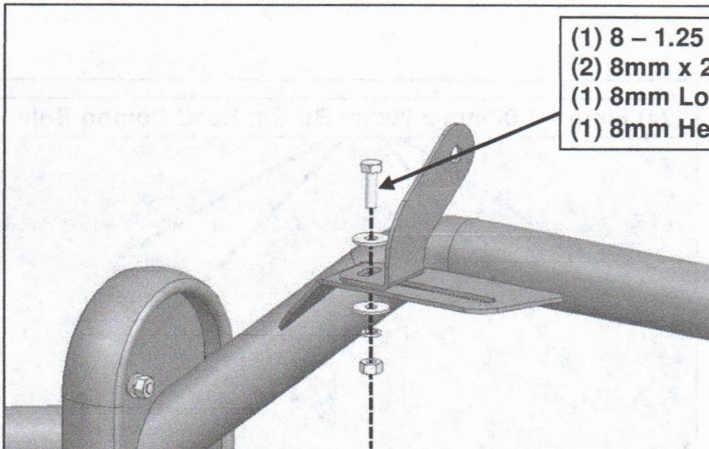


(2) License Plate Plastic Plug

(Fig 15) Attach License Plate Plastic Plugs to License Plate Bracket.

2

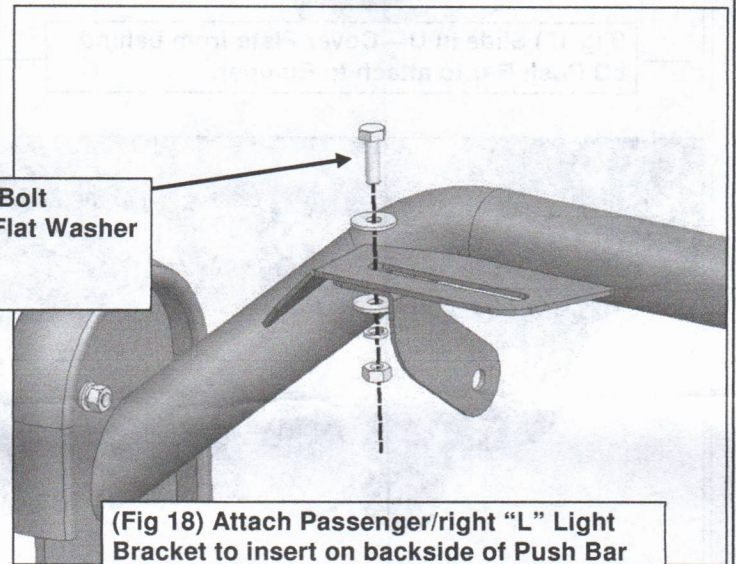
Follow (Fig 17 - 20) to attach LED Brackets and LED Bar (not included). Ensure all fasteners are hand tightened at this point. Orientation of LED Light Brackets based on your preference.



- (1) 8 - 1.25 x 25mm Hex Bolt
- (2) 8mm x 24mm x2mm Flat Washer
- (1) 8mm Lock Washer
- (1) 8mm Hex Nut

OPTIONALLY!
Attach LED Light Bracket, orientate LED Light Bracket upward.

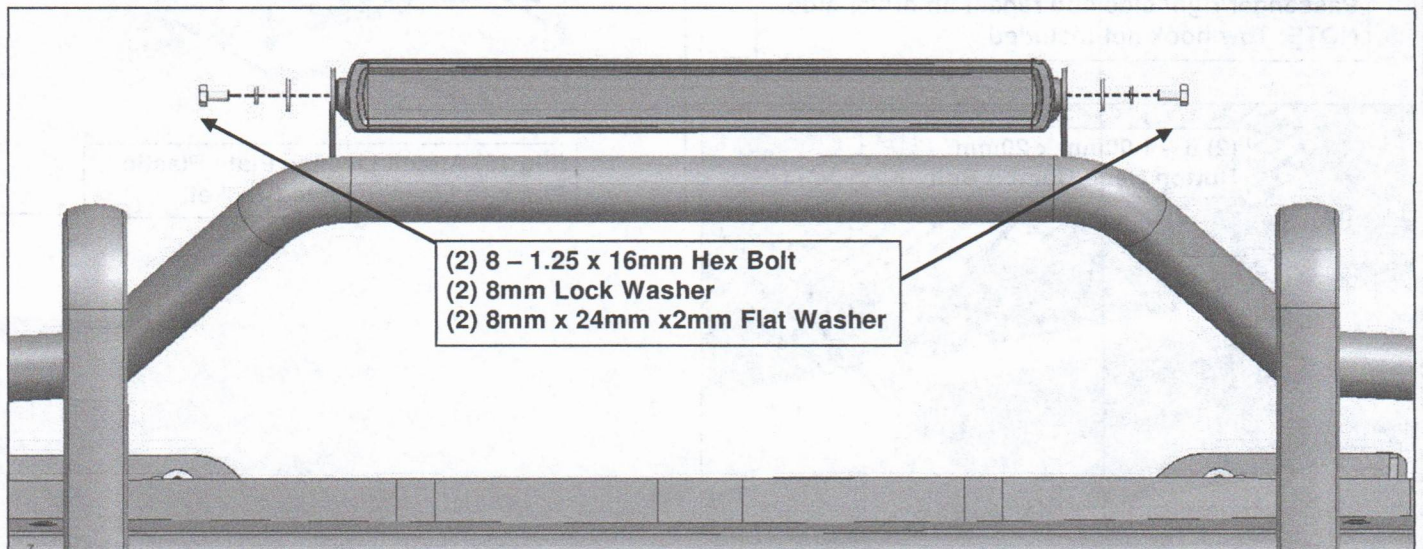
(Fig 17) Attach Driver/left "L" Light Bracket to insert on backside of Push Bar and repeat for Passenger/right "L" Light Bracket.



- (1) 8 - 1.25 x 25mm Hex Bolt
- (2) 8mm x 24mm x2mm Flat Washer
- (1) 8mm Lock Washer
- (1) 8mm Hex Nut

RECOMMENDED!
Attach LED Light Bracket, orientated downward to cover center grill area for cleaner look.

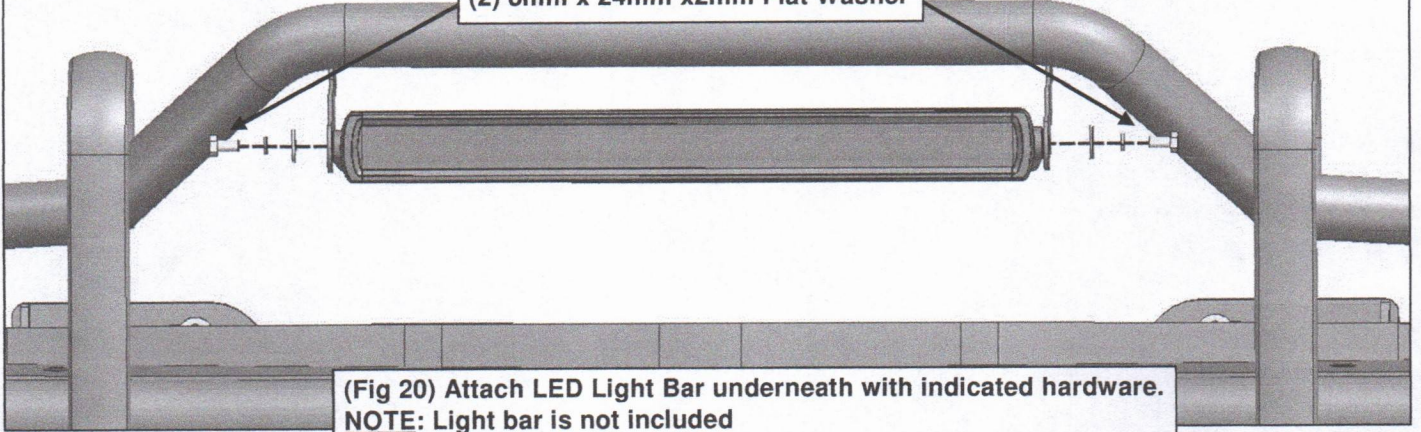
(Fig 18) Attach Passenger/right "L" Light Bracket to insert on backside of Push Bar and repeat for Driver/left "L" Light Bracket.



- (2) 8 - 1.25 x 16mm Hex Bolt
- (2) 8mm Lock Washer
- (2) 8mm x 24mm x2mm Flat Washer

(Fig 19) Attach LED Light Bar on top with indicated hardware.
NOTE: Light bar is not included

(2) 8 – 1.25 x 16mm Hex Bolt
(2) 8mm Lock Washer
(2) 8mm x 24mm x2mm Flat Washer



(Fig 20) Attach LED Light Bar underneath with indicated hardware.
NOTE: Light bar is not included

- 3** Ensure Push Bar is level and properly fit, then tighten all fasteners. Installation is complete. Do periodic inspections to the installation to make sure that all hardware is secure and tight.



Complete Installation (Lightbar and Skid Plate not included)