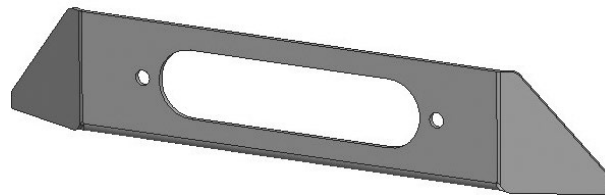


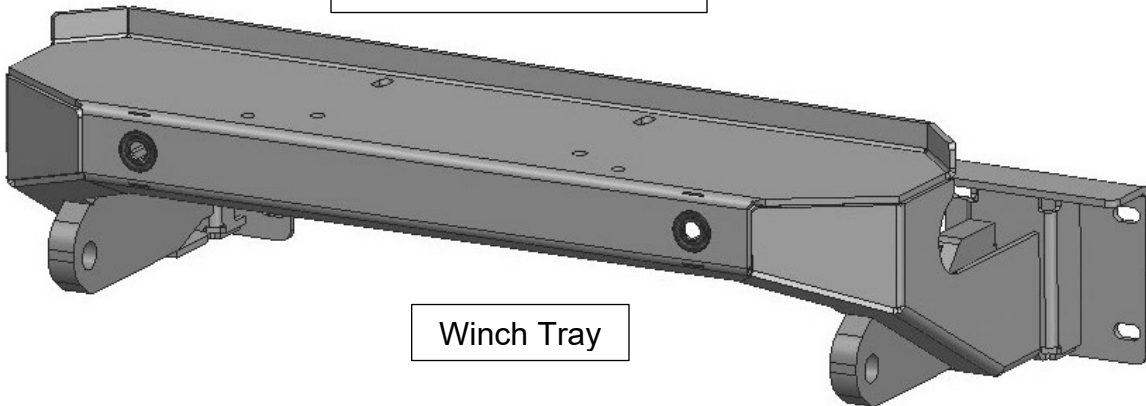
## Installation Instructions

### PARTS LIST: S223234

Qty	Item Description	Qty	Item Description
1	Winch Tray	6	12mm Lock Washers
2	Sensor harness extension	4	12-1.75mm x 60mm Hex Bolts
2	Foam Washers (15.5mm x 25mm x 2mm)	4	10mm x 27mm x 3mm Flat Washers
2	20mm x 10mm Foam Washers	4	10mm Lock Washers
2	Retaining Cap (PP)	4	10-1.5mm x 50mm Hex Bolts
2	Plastic Plug (Without sensors) (PP)	4	8mm x 24mm x 2mm Flat Washers
4	ST4_15 Flat Head Self Tapping Screw	2	8-1.25mm x 25mm Button Head Allen Bolts
1	Fairlead Mount Plate	2	8mm Nylon Lock Nuts
6	12mm Hex Nuts	1	Allen Wrench S=5
10	12mm x 32mm x 3mm Flat Washers		



Fairlead Mount Plate



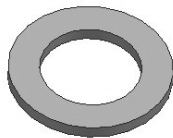
Winch Tray



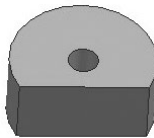
Sensor Harnesses Extension



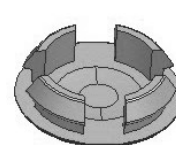
Sensor Retaining Cap



Foam Washer



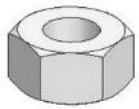
Retaining Cap



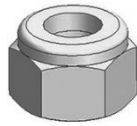
Plastic Plug



Self-Tapping Screw



Hex Nut



Nylon Lock Nut



Lock Washer



Flat Washer



Hex Bolt



Button Head Allen Bolt

**TOOLS REQUIRED**



Ratchet



13, 18, & 19mm Socket



Extensions



Allen Wrench



Wrench

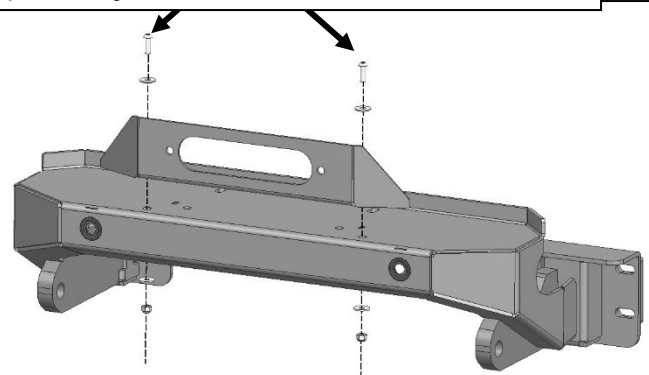
**1**

Follow (Fig 1 – 6) to attach HD Winch Tray to LD Front Bumper. Ensure Winch Tray is level before tightening fasteners. (Refer to HD4 LD Front Bumper Installation Instructions, continue from Fig 41)



(Fig 1) Locate mounting holes on Winch Tray.

(2) 8 – 1.25mm x 25mm Button Head Allen Bolts  
(4) 8mm x 24mm x 2mm Flat Washers  
(2) 8mm Nylon Lock Nuts



(Fig 2) Attach Fairlead Mount to the top of Winch Tray with indicated hardware.



(Fig 3) Attached Fairlead Mount to Winch Tray.

**WARNING!** Winch must be installed on winch tray before installation onto bumper.  
**Note:** Winch not included

(2) 12mm Hex Nut  
(2) 12mm Lock Washers  
(2) 12mm x 32mm Flat Washer

(2) 10mm x 27mm Flat Washers  
(2) 10mm Lock Washers  
(2) 10mm - 1.5mm x 50mm Hex Bolt

(2) 10mm x 27mm Flat Washers  
(2) 10mm Lock Washers  
(2) 10mm - 1.5mm x 50mm Hex Bolt

(4) 12mm Hex Nuts  
(4) 12mm Lock Washers  
(8) 12mm x 32mm Flat Washers  
(4) 12mm x 60mm Hex Bolt

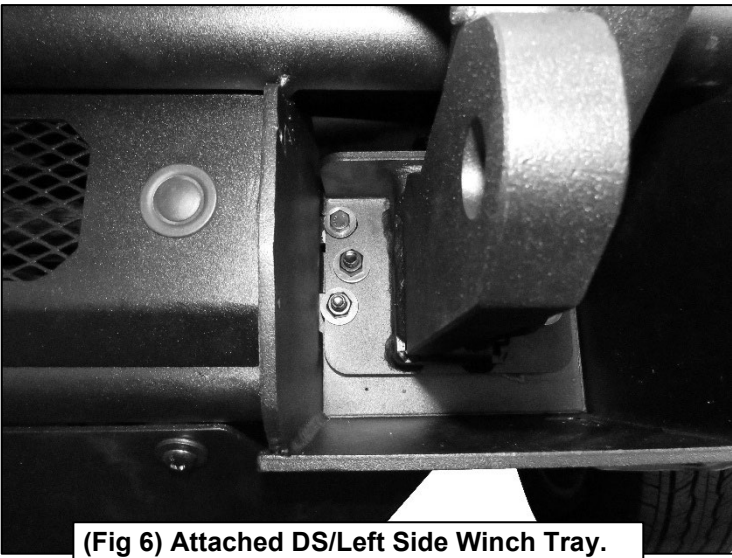
(Fig 4) Attach PS/Right Side Winch Tray and DS/Left Winch Tray to the threaded inserts and threaded stud on bumper with indicated hardware.



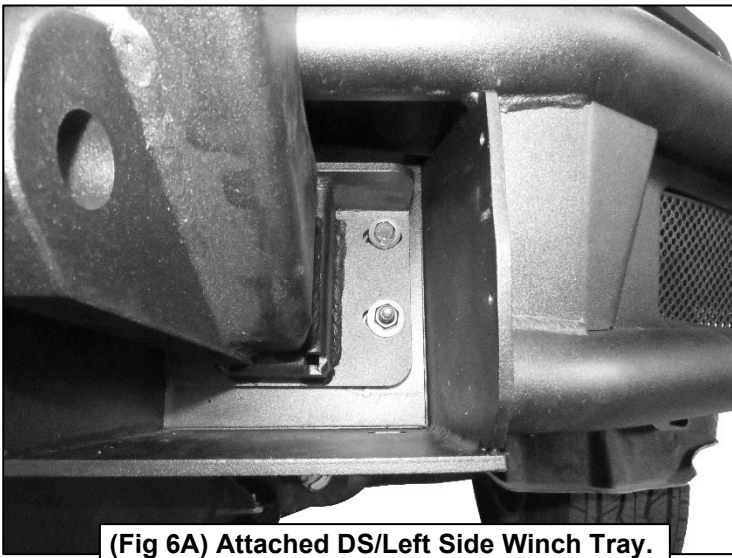
(Fig 5) Attached PS/Right Side Winch Tray.



(Fig 5A) Attached PS/Right Side Winch Tray.



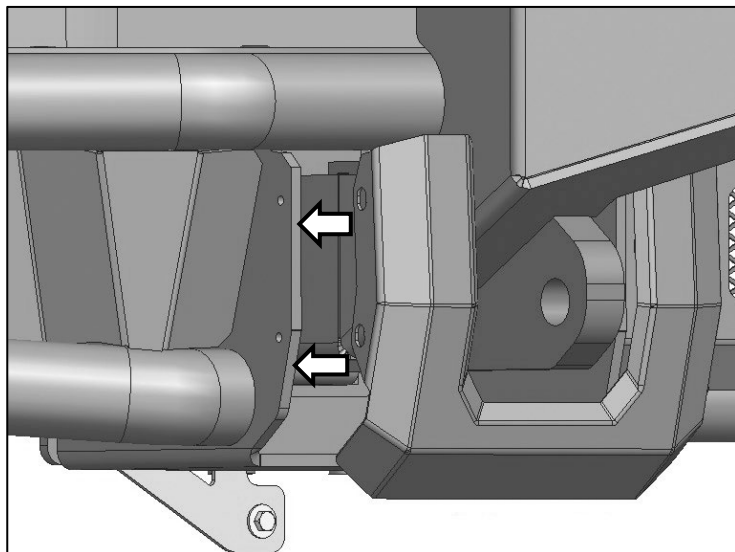
(Fig 6) Attached DS/Left Side Winch Tray.



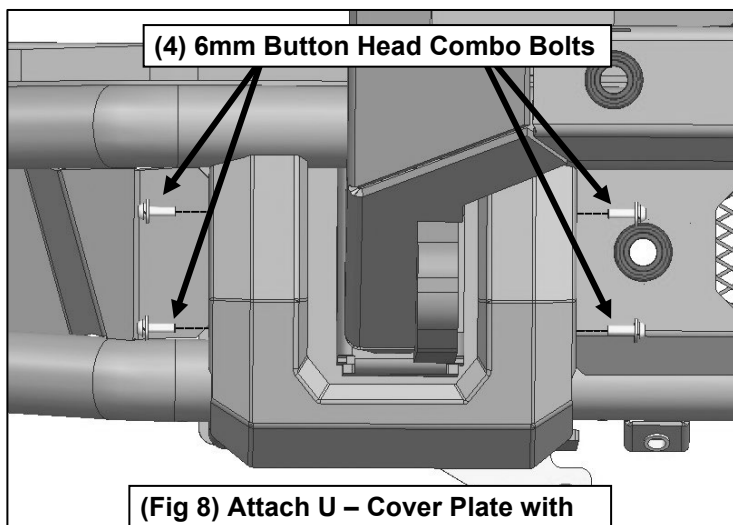
(Fig 6A) Attached DS/Left Side Winch Tray.

2

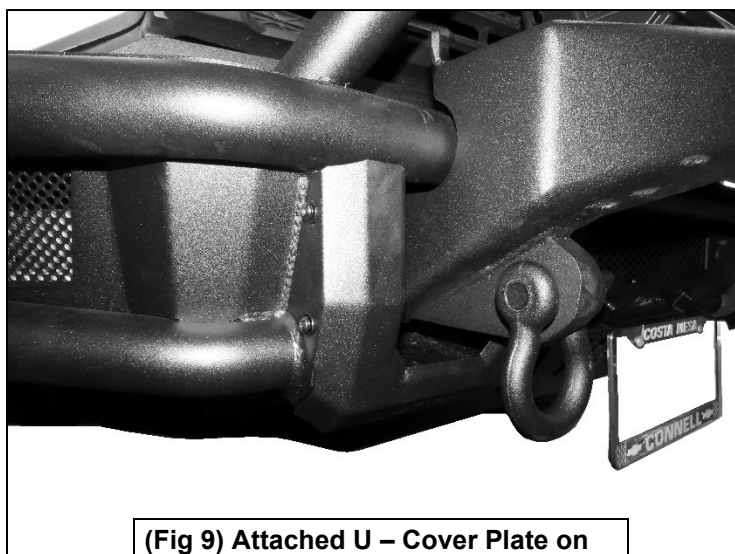
Follow (Fig 7 – 10) to attach Bumper Cover Plates to LD Front Bumper. Ensure hardware from previous steps are tight at this point. After (Fig 10A) refer to HD4 Tubular LD Front Bumper Installation Instructions, continue from Fig 48 to finish installation)



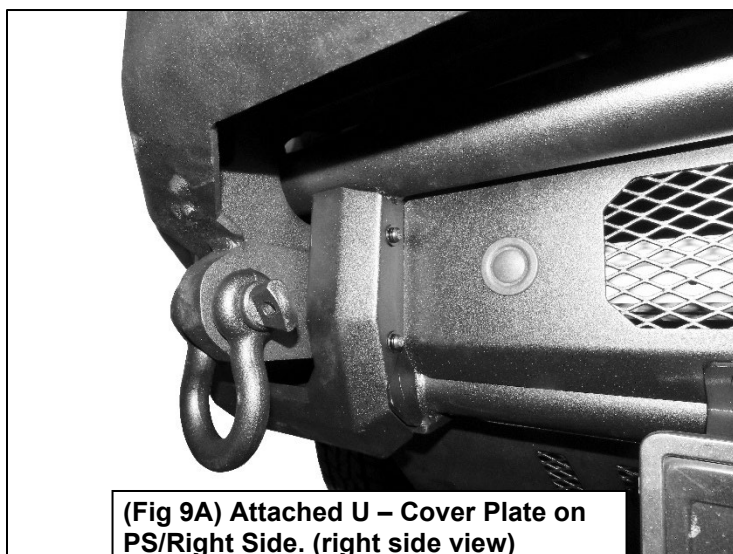
(Fig 7) Place U – Cover Plate over mounting holes.



(4) 6mm Button Head Combo Bolts  
(Fig 8) Attach U – Cover Plate with indicated hardware and repeat for DS/Left Side.



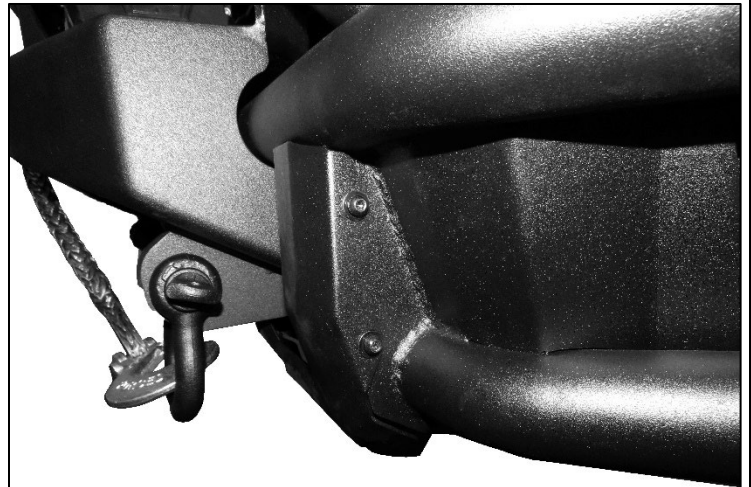
(Fig 9) Attached U – Cover Plate on PS/Right Side. (left side view)  
**Note:** Tow Hook not included



(Fig 9A) Attached U – Cover Plate on PS/Right Side. (right side view)  
**Note:** Tow Hook not included



(Fig 10) Attached U – Cover Plate on DS/Left Side. (left side view)  
**Note:** Tow Hook not included



(Fig 10A) Attached U – Cover Plate on DS/Left Side. (right side view)  
**Note:** Tow Hook not included

**3**

Ensure HD Winch Tray is level, and all fasteners are tightened at this point, then ensure all connections are secure. Installation is complete. Do periodic inspections to the installation to make sure that all hardware is secure and tight.



**Complete Installation (Bull Nose, Lights, Tow Hooks, Skid Plate, and Winch not included)**