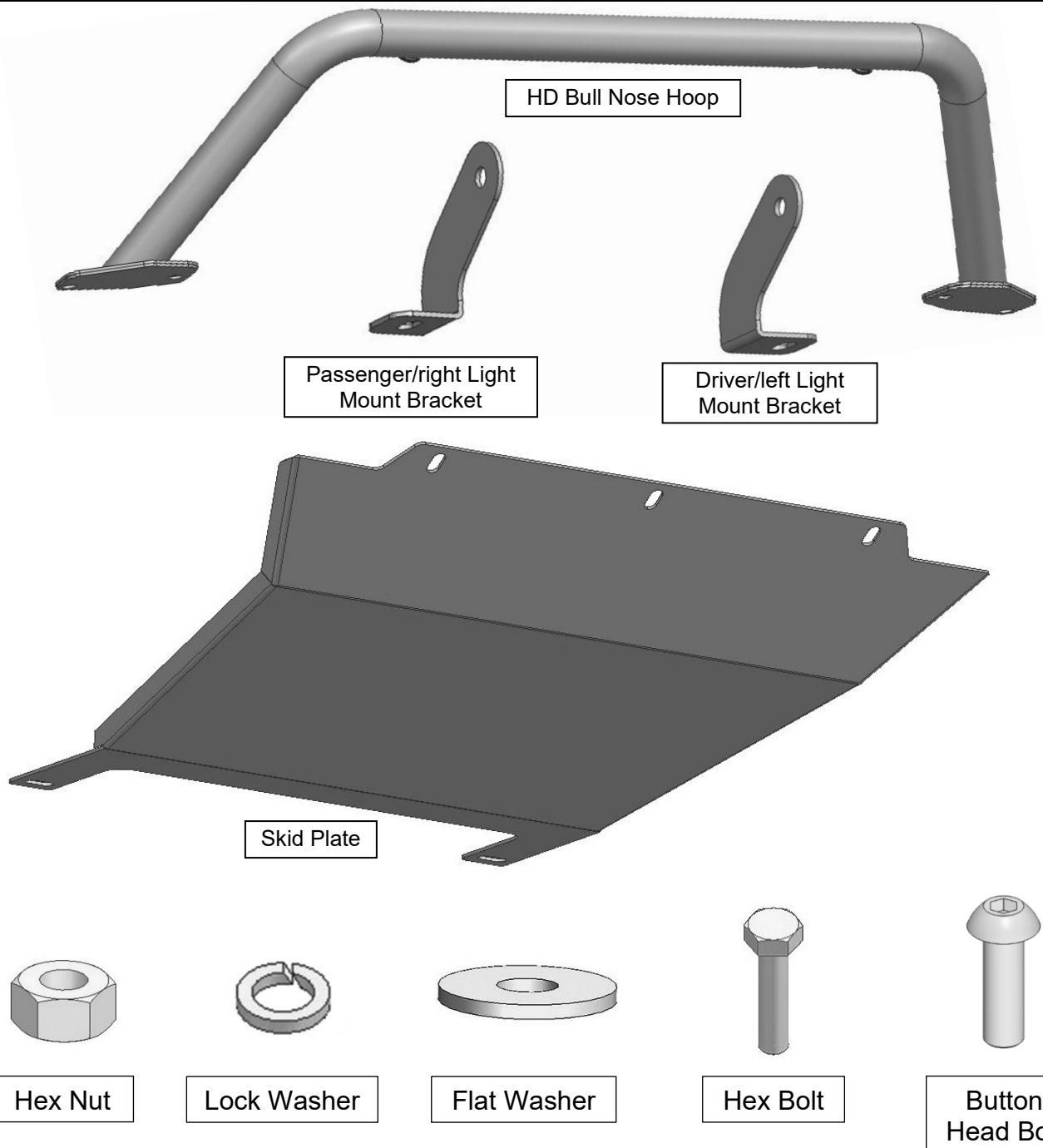


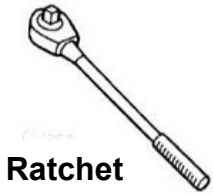
**Installation Instructions**

**PARTS LIST: S223235**

Qty	Item Description	Qty	Item Description
1	HD Bull Nose Hoop	2	8-1.25mm x 25mm Hex Bolts
1	Skid Plate	14	8mm x 24mm x 2mm Flat Washers
1	Driver/left Light Mount Bracket	4	8-1.25mm x 25mm Button Head Allen Bolt
1	Passenger/right Light Mount Bracket	8	8mm Lock Washers
3	10mm Lock Washers	2	8-1.25mm x 16mm Hex Bolts
3	10-1.5mm x 30mm Button Head Allen Bolt	1	Allen Wrench S=6
3	10mm x 27mm x 3mm Flat Washer	1	Allen Wrench S=5
6	8mm Hex Nut		

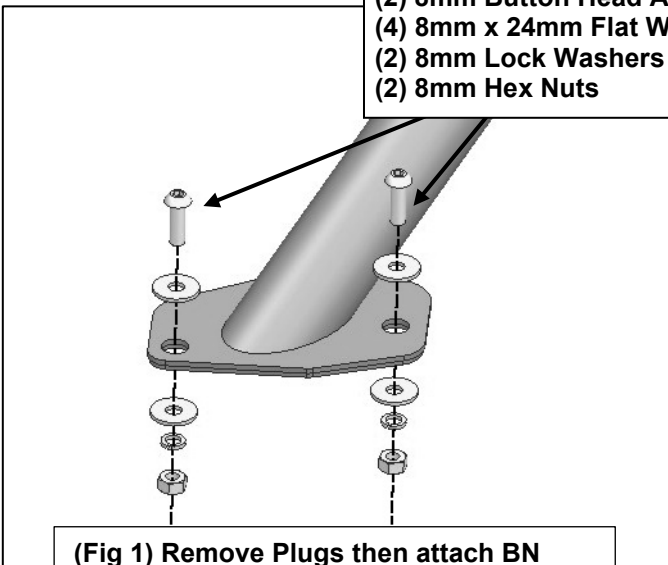


**TOOLS REQUIRED**

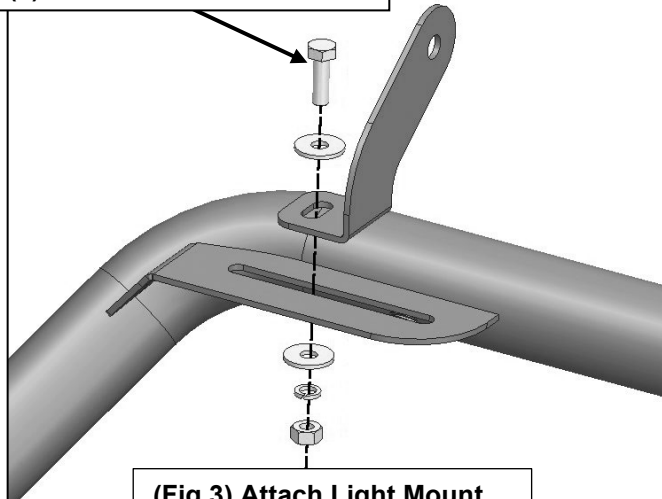


**1** Follow (Fig 1 -10) to attach HD BN Hoop and Skid Plate. Ensure hardware is hand tightened.

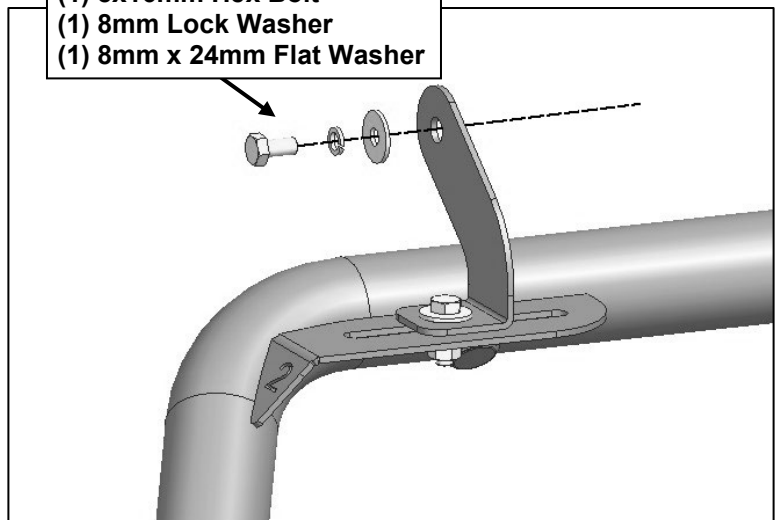
- (2) 8mm Button Head Allen Bolt
- (4) 8mm x 24mm Flat Washers
- (2) 8mm Lock Washers
- (2) 8mm Hex Nuts



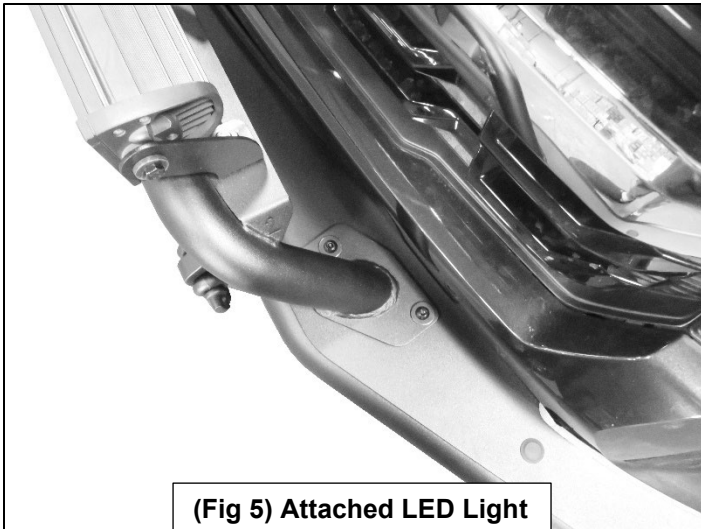
- (1) 8x25mm Hex Bolt
- (2) 8mm x 24mm Flat Washer
- (1) 8mm Lock Washer
- (1) 8mm Hex Nut



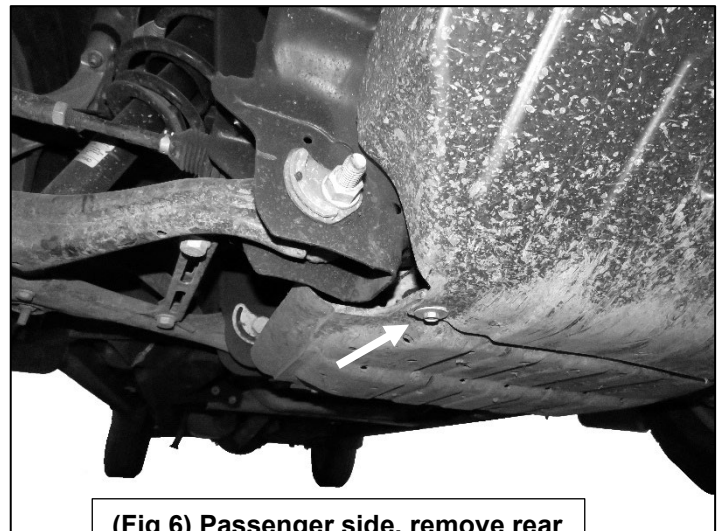
- (1) 8x16mm Hex Bolt
- (1) 8mm Lock Washer
- (1) 8mm x 24mm Flat Washer



**HD4 HD BN HOOP AND SKID PLATE  
2022-2026+ SILVERADO 1500**



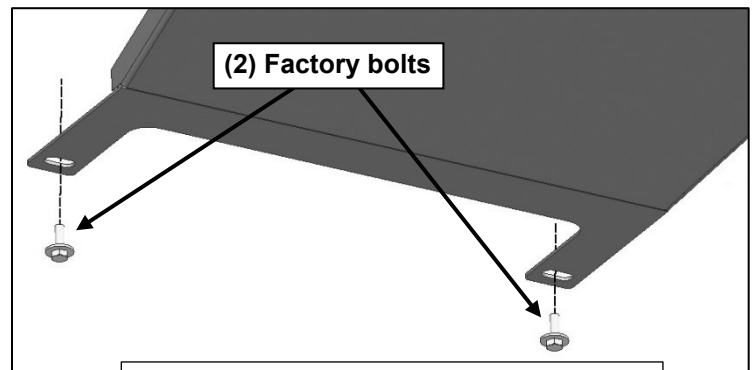
**(Fig 5) Attached LED Light Bracket and LED Light Bar**



**(Fig 6) Passenger side, remove rear hardware for factory skid plate.**



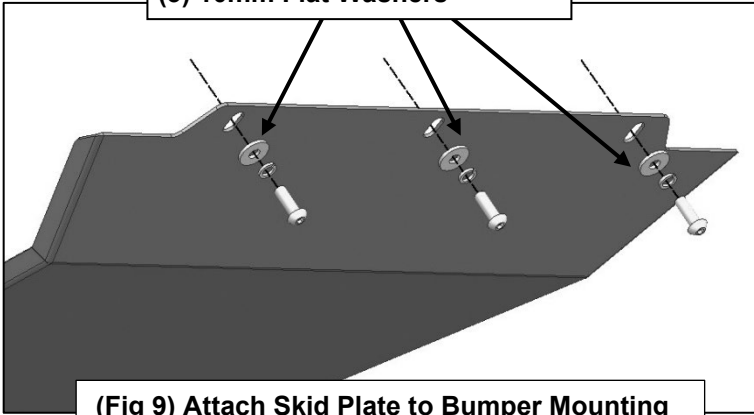
**(Fig 7) Driver side, remove rear hardware for factory skid plate.**



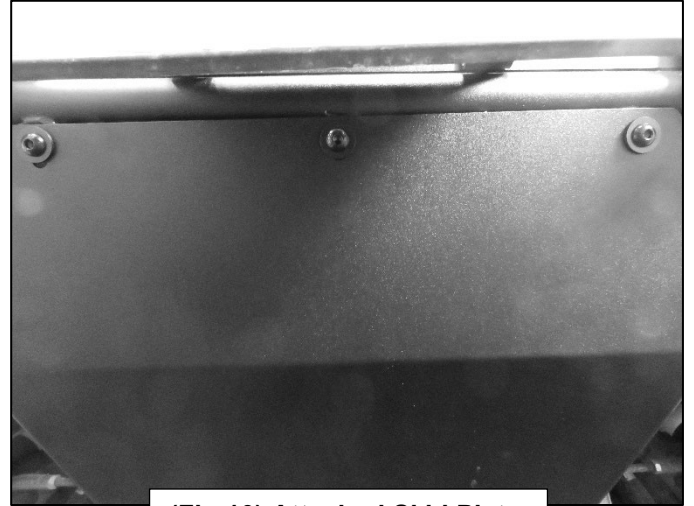
**(Fig 8) Reuse factory bolts for Rear Mounting Points to attach Skid Plate with indicated hardware.**

**HD4 HD BN HOOP AND SKID PLATE  
2022-2026+ SILVERADO 1500**

- (3) 10mm Button Head Bolt
- (3) 10mm Lock Washers
- (3) 10mm Flat Washers



**(Fig 9) Attach Skid Plate to Bumper Mounting Points with indicated hardware.**



**(Fig 10) Attached Skid Plate**

**2**

Ensure BN Hoop and Skid Plate is level and secure, then tighten all hardware. Installation is complete. Perform periodic inspections to the installation to make sure that all hardware is secure and tight.



**Completed Installation (LED Light Bar, Tow Hooks and Winch not included)**