



**TEL: 1-866-XANATOS**

# **INSTALLATION INSTRUCTIONS**

**PART # BB037411-SP / BB037411A-SP**

**3 INCH BULL BAR FOR 2015-2016 CADILLAC ESCALADE /  
CHEVROLET SUBURBAN / CHEVROLET TAHOE**

# INSTALLATION INSTRUCTION

ITEM NO.: BB037411-SP / BB037411A-SP

DESCRIPTION: 3 INCH BULL BAR FOR 2015-2016 CADILLAC ESCALADE / CHEVROLET SUBURBAN / CHEVROLET TAHOE

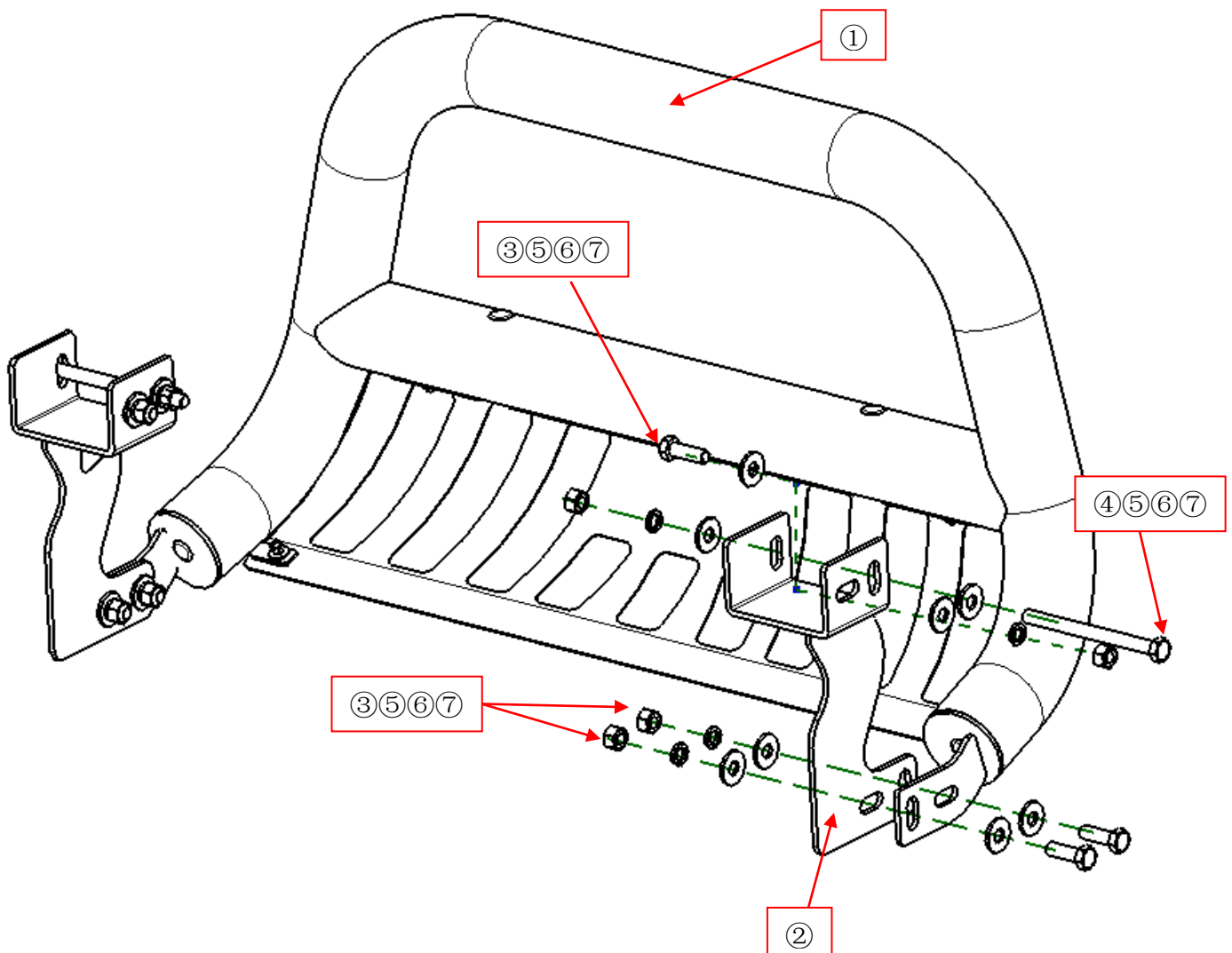
Attention:

- Please read this installation menu before installing this part. Protect your car properly in case there is any scratch might happen.
- You may need to periodically to re-tighten all hardware for safety use after installation.
- Installation pictures are only for your reference, there might be some differences between pictures and real parts but no affection for your fitting.

## PART LIST

NO.	NAME	QTY	REMARK	NO.	NAME	QTY	REMARK
①	Front Guard	1		⑤	Hexagon Nut	8	M12
②	Bracket	2		⑥	Large Washer	16	φ12x30x3.0
③	Hexagon Head Bolt	6	M12*35	⑦	Spring Washer	8	φ12
④	Hexagon Head Bolt (half thread)	2	M12*140*40				

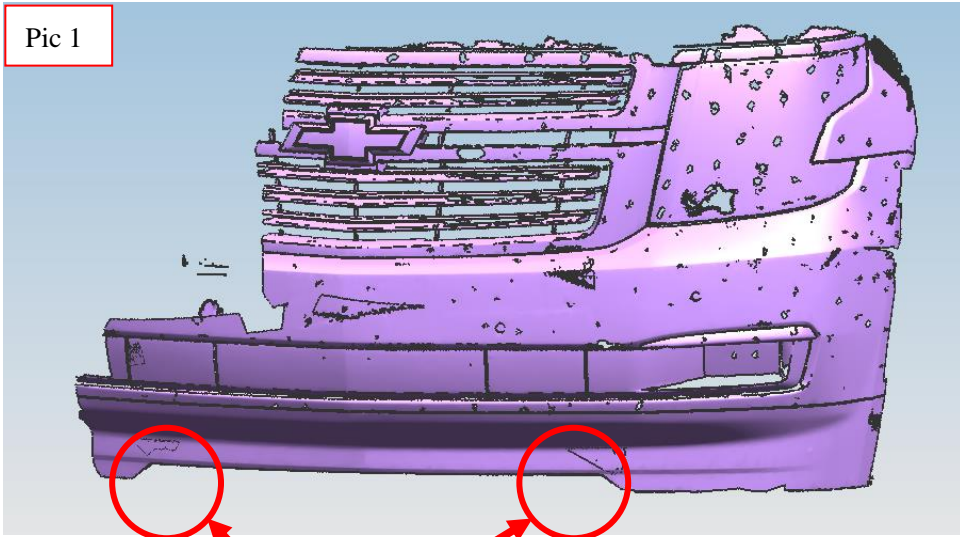
## INSTALLATION PICTURES



# INSTALLATION PROCEDURES

Step 1: Refer to the Part List to check if all the hardware are included.

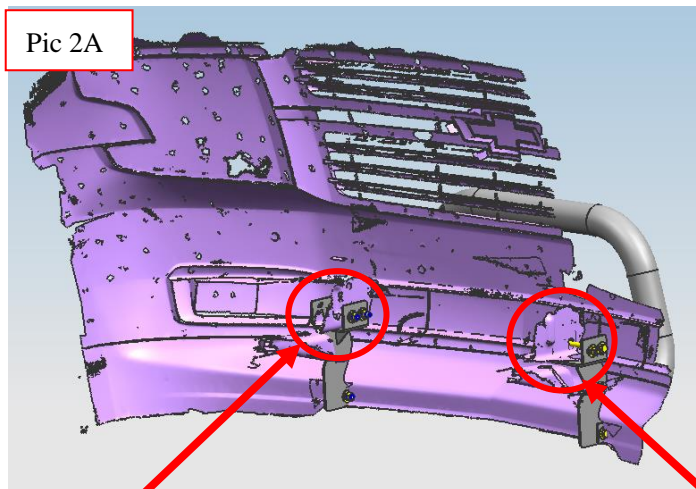
Step 2: Refer to the car bottom, and then install the left and right mounting brackets.



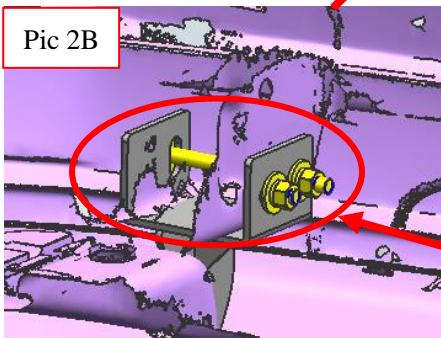
Pic 1

Refer to the installation picture to cut at these two positions.

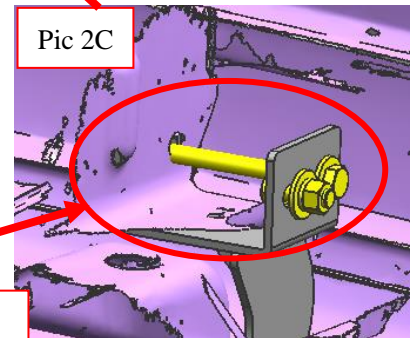
Before installation



Pic 2A



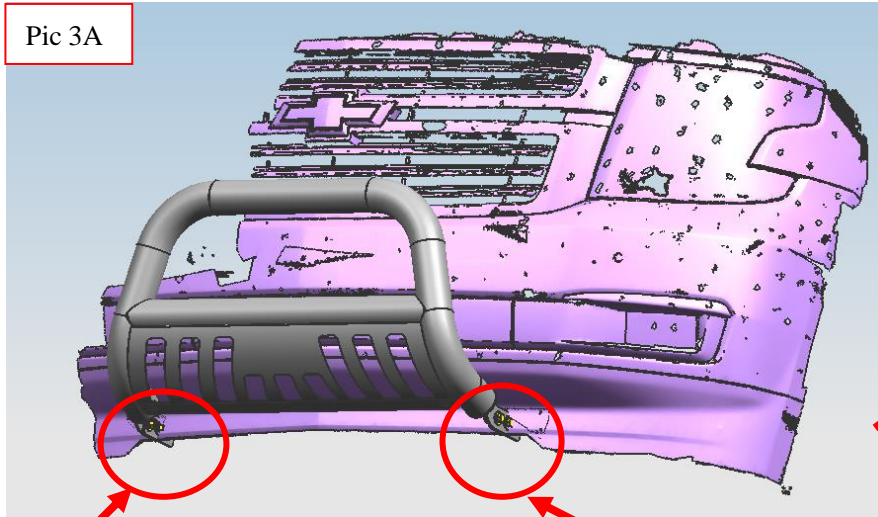
Pic 2B



Pic 2C

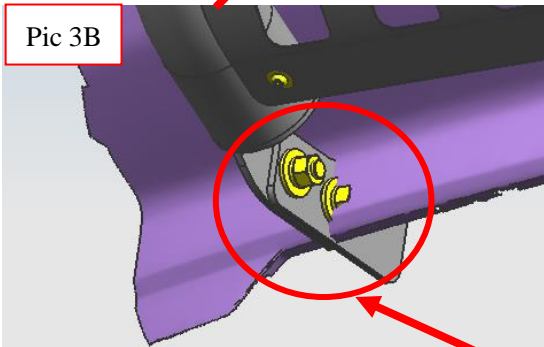
Use Hexagon Head Bolt (half thread) M12x140x40, Hexagon Head Bolt M12x35, Large Washer  $\phi 12 \times 30 \times 3.0$ , Spring Washer  $\phi 12$ , Hexagon Nut M12 to fix the brackets.

Pic 3A

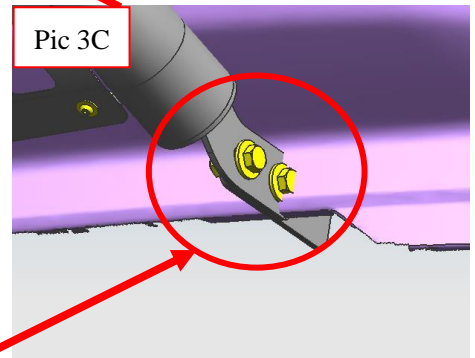


After cutting  
installation

Pic 3B



Pic 3C



Fix the bull bar on the brackets with  
Hexagon Head Bolt M12x35, Large  
Washer  $\phi$ 12x30x3.0, Spring Washer  $\phi$ 12,  
Hexagon Nut M12

Step 3: Install the bull bar on the brackets and then adjust the brackets to the proper position.

Step 4: Check if all hardware are installed and tighten them up to complete the installation.

**Disclaimer:** Caused due to improper installation initiates or some related problem and losses, are beyond our company's quality assurance.