

INSTALLATION INSTRUCTIONS

**GASOLINE TRUCKS ONLY
PRO TRAXX 4 OVAL TUBE STEP BAR**

APPLICATION:

2014-2017 Chevrolet Silverado / GMC Sierra 1500 Reg. Cab

2015-2017 Chevrolet Silverado / GMC Sierra 2500/3500 Reg. Cab

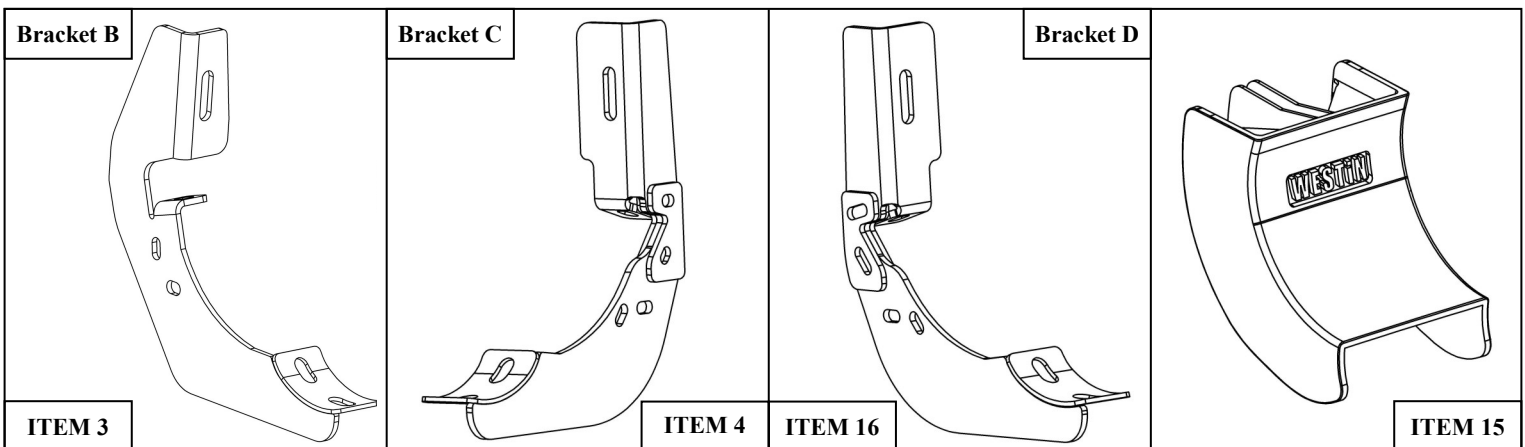
PART NUMBER:

21-23700, 21-23705, 21-23840, 21-23845



ITEM	QUANTITY	DESCRIPTION	TOOLS NEEDED
1,2	2	STEP BAR, DRIVER (1) AND PASSENGER (2)	13MM SOCKET
3	2	MOUNT BRACKET B	13MM WRENCH
4	1	MOUNT BRACKET C	HEX KEY TOOL
5	8	M8 HEX CAP SCREW (YELLOW ZINC)	RATCHET
6	8	M8 FLAT WASHER (YELLOW ZINC)	TORQUE WRENCH
7	8	M8 SPLIT LOCK WASHER (YELLOW ZINC)	
8	8	M8 EXTRUDED U-NUT (YELLOW ZINC)	
9	8	M10 BUTTON HEAD SOCKET CAP SCREW (BLACK ZINC)	
10	8	M10 FLAT WASHER (BLACK ZINC)	
11	8	M10 INTERNAL TOOTHED LOCK WASHER (BLACK ZINC)	
12	8	M6 HEX HEAD CAP SCREW (YELLOW ZINC)	
13	16	M6 FLAT WASHER (YELLOW ZINC)	
14	8	M6 NYLON NUT (YELLOW ZINC)	
15	4	BRACKET PLASTIC COVER	
16	1	MOUNT BRACKET D	

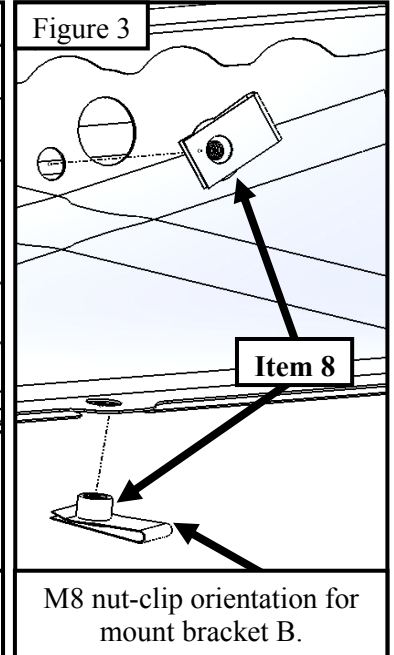
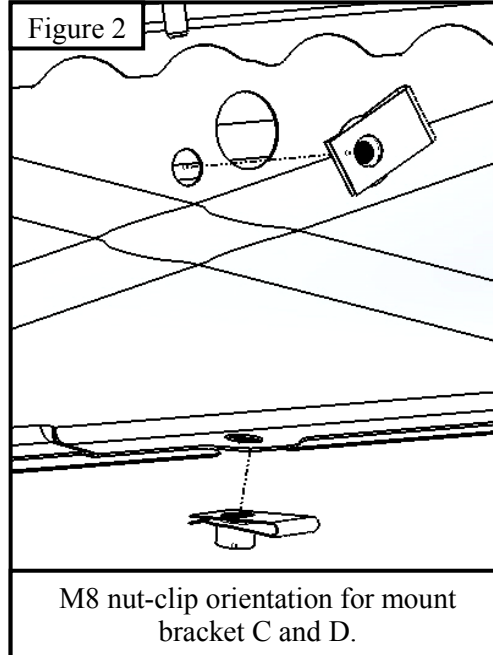
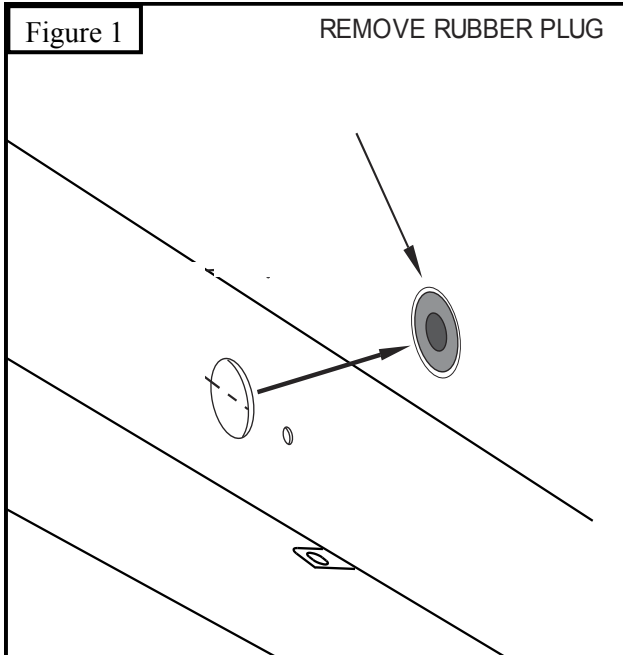
ANTI-SEIZE LUBRICANT MUST BE USED ON ALL STAINLESS STEEL FASTENERS TO PREVENT THREAD DAMAGE AND GALLING



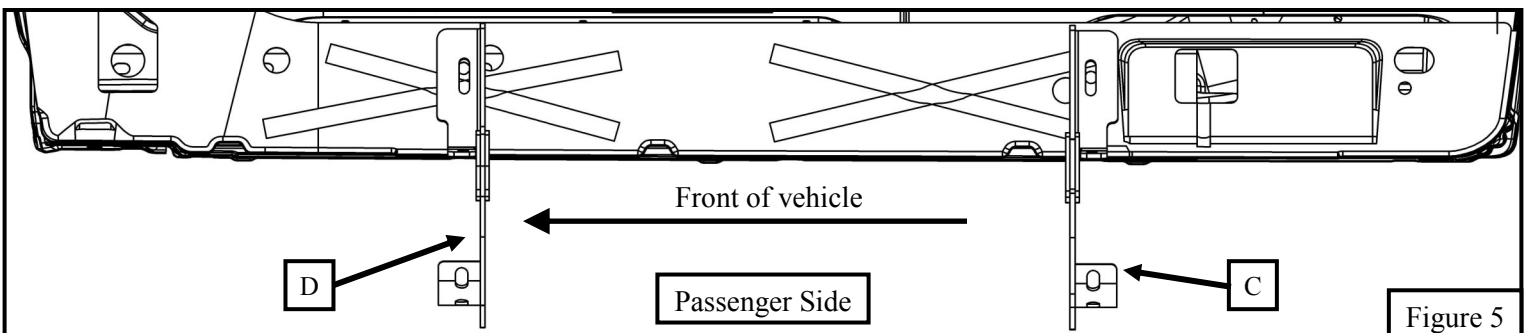
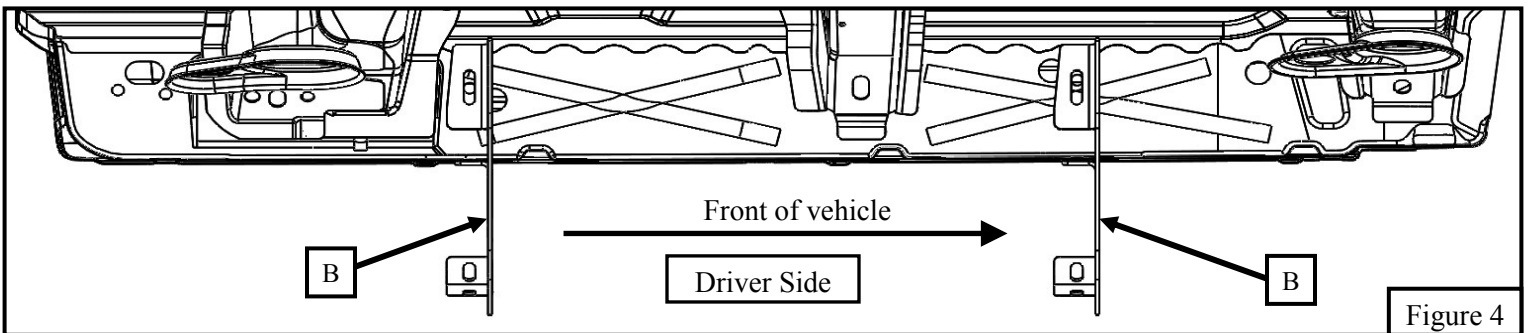
PROCEDURE

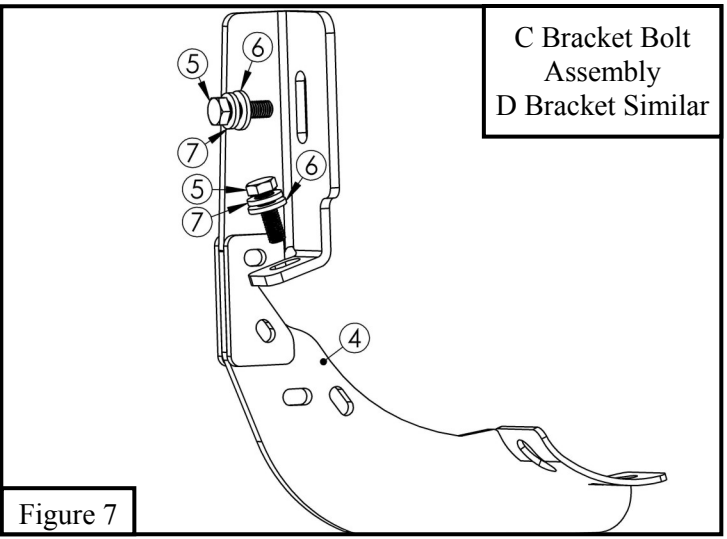
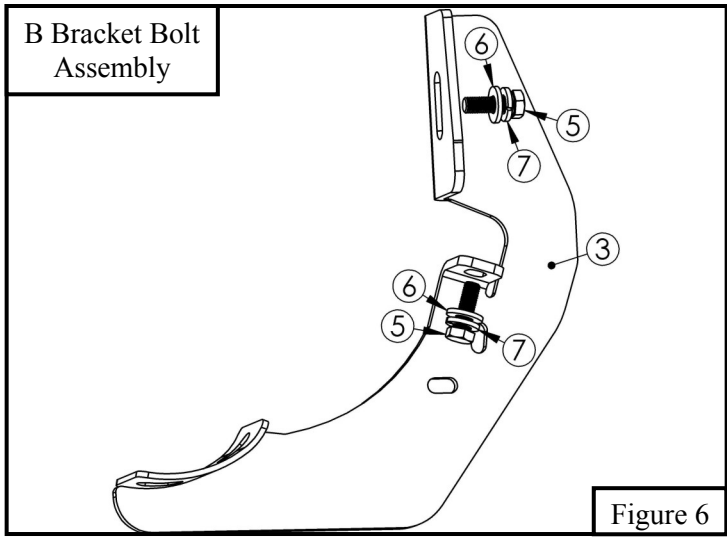
1. Remove contents from box, verify if all parts listed are present and free from damage.
Carefully read and understand all instructions before attempting installation.
Failure to identify damage before installation could lead to a rejection of any claim.

2. Locate on each rocker panel the black rubber plugs and remove them. See **Figure 1**. Install the M8 nut clips (Item 8) as shown in **Figure 3**. For the bracket C (Item 4) mount location, install M8 clip (Item 8) as shown in **Figure 2**.

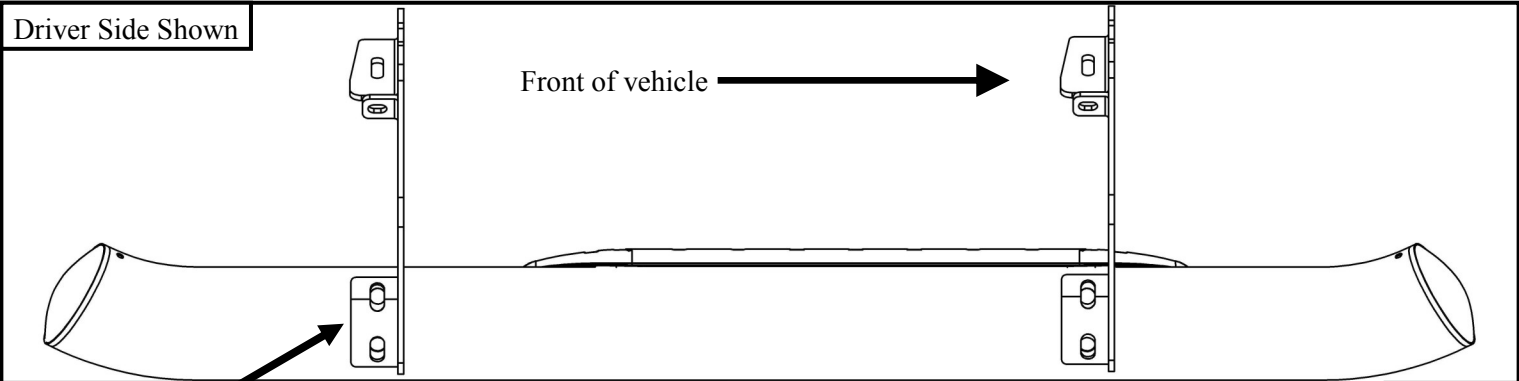
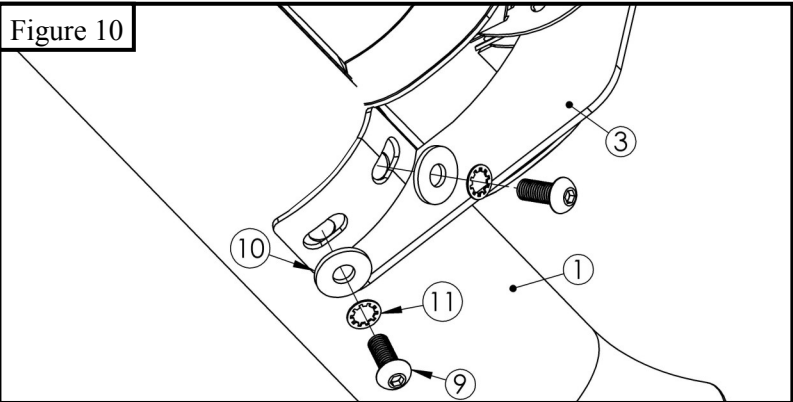
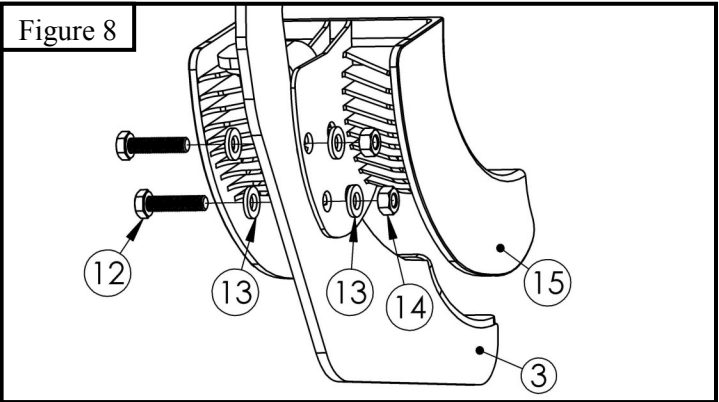


3. Take the mounting brackets and install the bracket and associated hardware loosely to its corresponding positions. See **Figures 4, 5, 6 and 7**. Brackets used for passenger side are (1) bracket C (Item 4) and (1) bracket D (Item 16). The driver side will use the remaining (2) brackets B (Item 3). **Note:** Bracket location is critical. *Do not fully tighten hardware at this time.*





4. Locate (1) plastic bracket cover (Item 15) and loosely secure it to the brackets using the provided hardware: (2) M6 hex head cap screws, (4) M6 flat washers, and (2) M6 nylon nuts. Repeat for every bracket. See **Figure 8**.
5. Take the passenger side step bar (Item 2) and place the step bar onto the bracket mounting cradles as shown in **Figure 9**. Secure the passenger side step bar (Item 2) using (4) M10 button head bolts (Item 9), (4) M10 toothed lock washers (Item 10) and (4) M10 flat washers (Item 11) as shown in **Figure 10**. Follow same steps to install driver side step bar (Item 1). **Note:** The drivers side step bar will be packaged in a clear poly tube and the passenger side will be packaged in a red poly tube, the Westin logo should face outward when installed.
6. Make sure the mounting brackets and step bar are aligned then proceed to fully tighten all hardware. Recommended torque values are 15-18 ft-lbs for M8 fasteners, 30-35 ft-lbs for the M10 fasteners, and 5-7 ft-lbs for M6 fasteners.



Align the slots on the bracket mounting cradle and step bar.

Figure 9



Care Instructions

- REGULAR WAXING IS RECOMMENDED. DO NOT USE ANY TYPE OF POLISH OR WAX THAT MAY CONTAIN ABRASIVES.
- STAINLESS STEEL PRODUCTS CAN BE CLEANED WITH MILD SOAP AND WATER. STAINLESS STEEL POLISH SHOULD BE USED TO POLISH SMALL SCRATCHES.
- GLOSS BLACK FINISHES SHOULD BE CLEANED WITH MILD SOAP AND WATER.

WESTIN Westin Automotive Products, Inc.
320 W. Covina Blvd
San Dimas, Ca. 91773

Thank you for choosing Westin products
for additional installation assistance please call
Customer Service (800) 793-7846



WARNING



Failure to follow these instructions could lead to death, personal injury, and / or property damage.

FASTENERS:

All Westin supplied fasteners must be utilized and installed in accordance with the installation instructions and apply torque to the specifications as defined. **DOUBLE CHECK ALL FASTENERS BEFORE INITIAL USE, AND PERIODICALLY IN THE FUTURE TO ENSURE PROPER FUNCTION AND SAFETY.**

DRILLING:

Most Westin products do not require drilling for installation. If drilling is defined as required, use caution when drilling a vehicle. **FAILURE TO REVIEW AN AREA TO BE DRILLED MAY RESULT IN PERSONAL INJURY AND/OR INJURY TO OTHERS AS WELL AS VEHICLE DAMAGE.**

EYE PROTECTION:

ALWAYS WEAR SAFETY GLASSES OR GOGGLES DURING THE INSTALLATION PROCESS TO AVOID PERSONAL INJURY.

MAXIMUM TOWING/CARRYING CAPACITY:

The Westin Receiver Hitches will have a visible tow rating label affixed directly on the product. User should never exceed the vehicle manufacturers maximum tow and weight rating regardless of the capacity of the hitch. **FAILURE TO FOLLOW THESE GUIDELINES WILL VOID THE WESTIN WARRANTY AND MAY RESULT IN PERSONAL INJURY AND/OR INJURY TO OTHERS AS WELL AS VEHICLE DAMAGE.**