



SIGNATURE OF QUALITY

AUTOMOTIVE PRODUCTS,

INSTALLATION INSTRUCTIONS

HDX XTREME BOARD

APPLICATION:

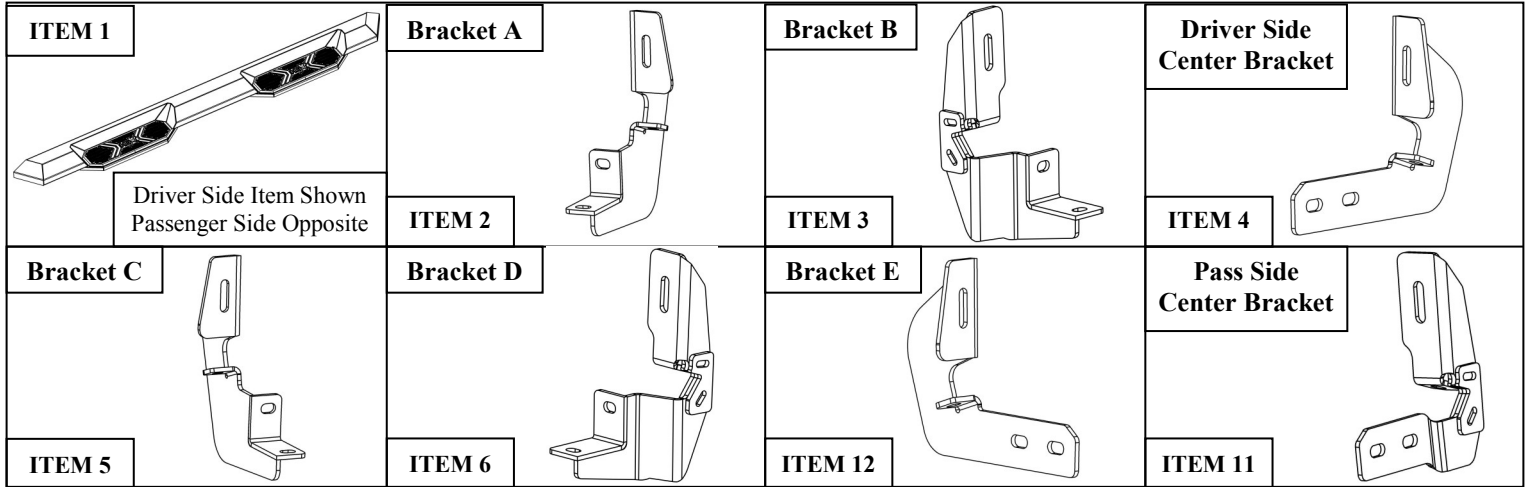
2007-2017 Chevrolet Silverado / GMC Sierra 1500/2500/3500
Extended, Crew, Double Cab (Excludes Classic)

PART NUMBER:

56-23715, 56-23725

ITEM	QUANTITY	DESCRIPTION	TOOLS NEEDED
1	2	STEP BAR ASSEMBLY	RATCHET 1/4" & 3/8"
2	1	MOUNT BRACKET A	TORQUE WRENCH
3	1	MOUNT BRACKET B	13MM SOCKET
4	1	DRIVER SIDE CENTER MOUNT BRACKET	13MM WRENCH
5	1	MOUNT BRACKET C	SOCKET EXT.
6	1	MOUNT BRACKET D	FLASH LIGHT
7	12	M8 EXTRUDED U-NUT	SWIVLE RATCHET
8	24	M8 HEX HEAD CAP SCREW	
9	24	M8 SPLIT LOCK WASHER	
10	24	M8 FLAT WASHER	
11	1	PASSENGER SIDE CENTER MOUNT BRACKET	
12	1	MOUNT BRACKET E	

ANTI-SEIZE LUBRICANT MUST BE USED ON ALL STAINLESS STEEL FASTENERS TO PREVENT THREAD DAMAGE AND GALLING



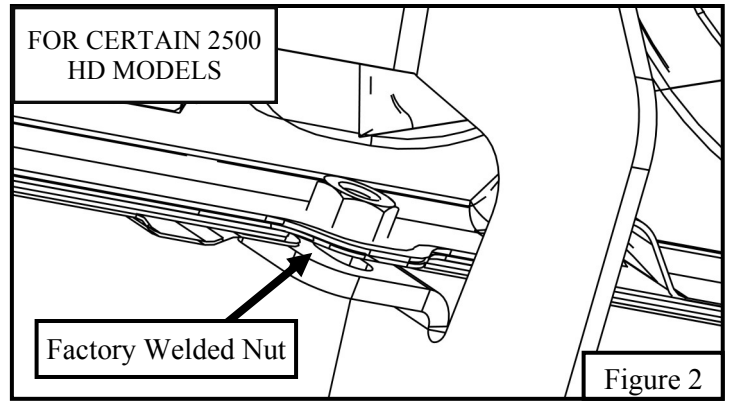
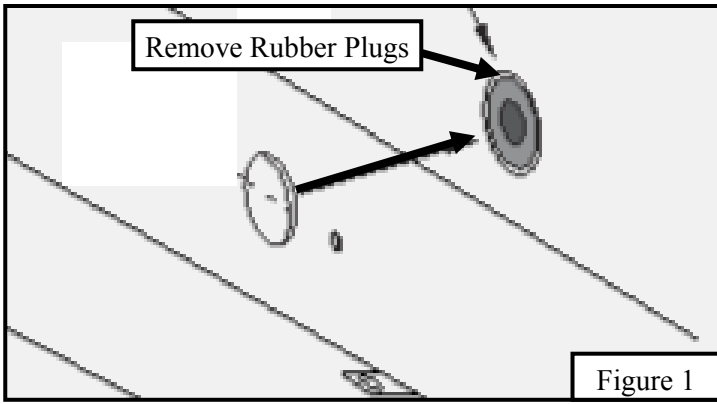
PROCEDURE

1. Remove contents from box, verify if all parts listed are present and free from damage. Carefully read and understand all instructions before attempting installation.
Failure to identify damage before installation could lead to a rejection of any claim.
1. Starting on the driver side, remove the rubber plugs located on the rocker panel at each mounting location. See **Figure 1**.
2. **For models with welded nuts:** At each bracket mounting location on the pinch weld there should either be a welded factory nut or a hole. If there is a factory welded nut present, then the M8 U-Nut Clip (Item 7) will not be used at that location. See **Figure 2** for the factory welded nut.

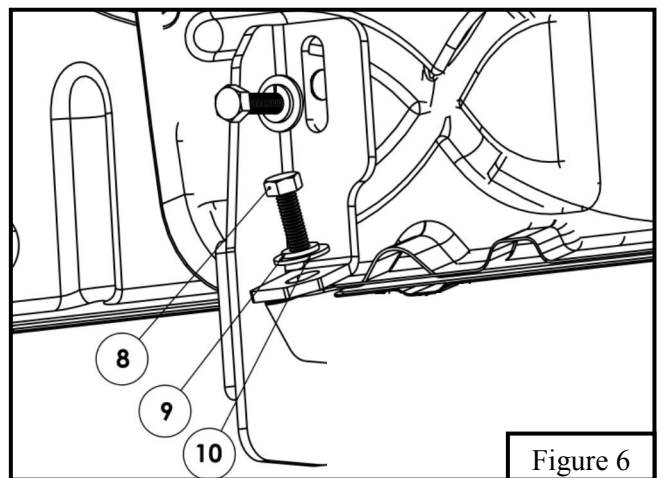
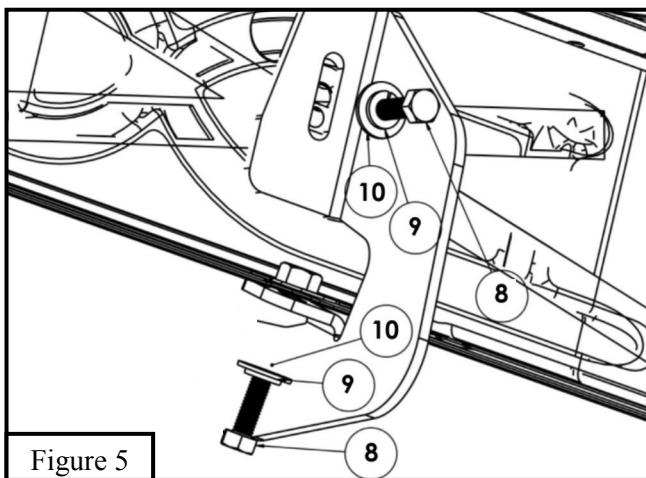
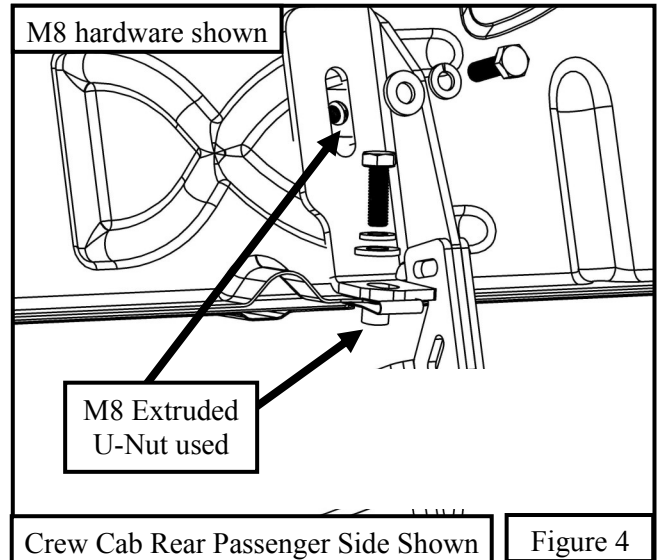
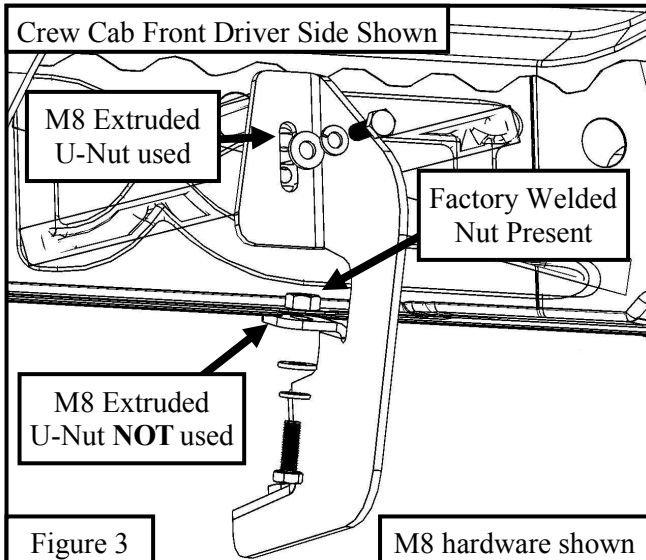


Westin Automotive Products, Inc.
320 W. Covina Blvd
San Dimas, Ca. 91773

Thank you for choosing Westin products
for additional installation assistance please call
Customer Service (800) 793-7846

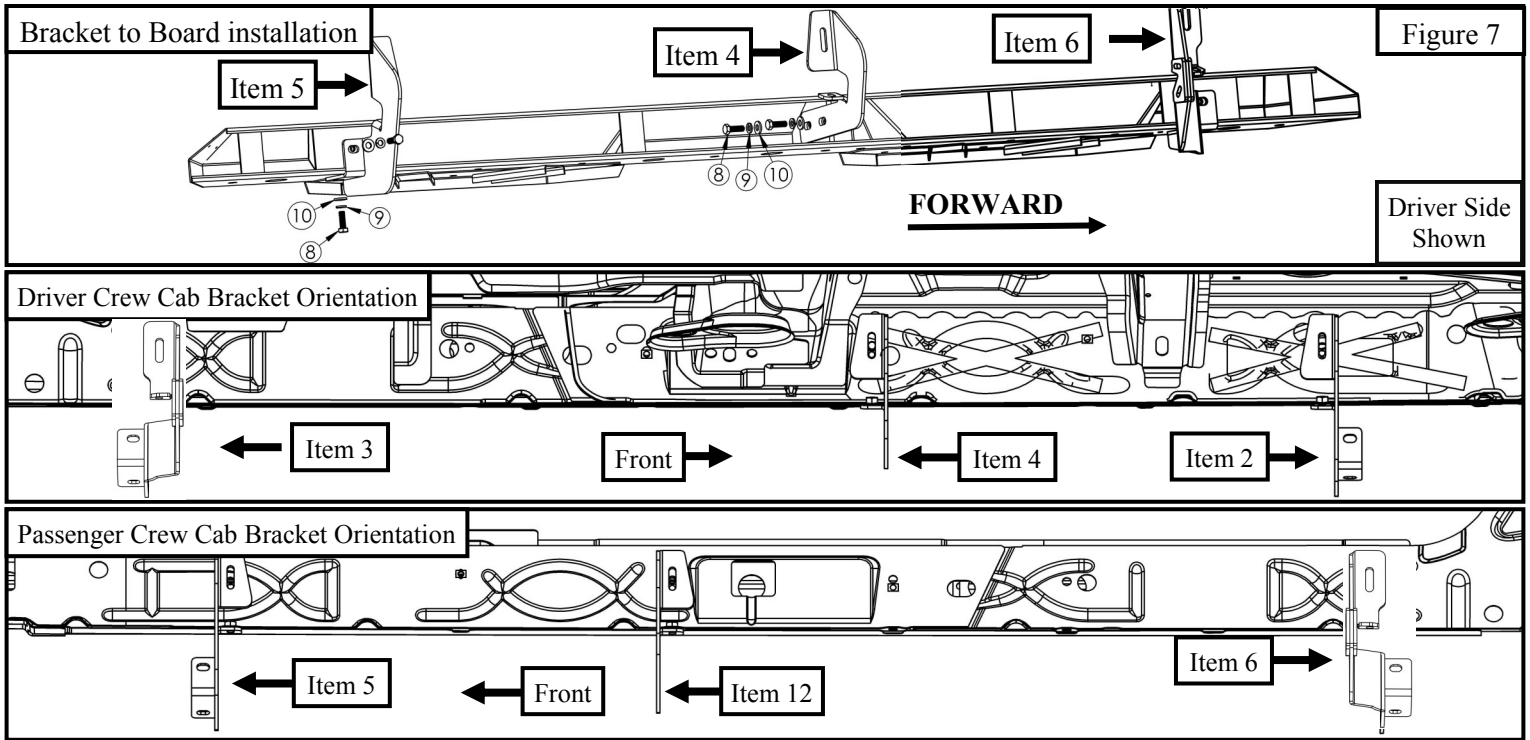


3. Insert (1) M8 U-Nut Clip (Item 7) into the hole where the rubber plug was removed. Clip (1) M8 U-Nut Clip onto pinch weld if no factory welded nut is present. Locate (1) Mounting Bracket and loosely secure it to the rocker panel using the provided hardware: (2) M8 hex head cap screw, (2) M8 flat washer, and (2) M8 lock washer. See **Figure 3 – 6**. **Note:** For installation on diesel equipped vehicles follow diesel exhaust fluid tank removal instructions on **page 5**.
4. Repeat **Step 3** for every other bracket mounting location, see **Page 4** for bracket orientation and location for gas and diesel power train vehicles.
5. Loosely secure the Xtreme board to the previously installed brackets using the provided M8 hardware. See **Figure 7**.
6. Align the Xtreme board and brackets to desired positioning then torque and tighten all: M8 hardware to 20 ft-lbs.

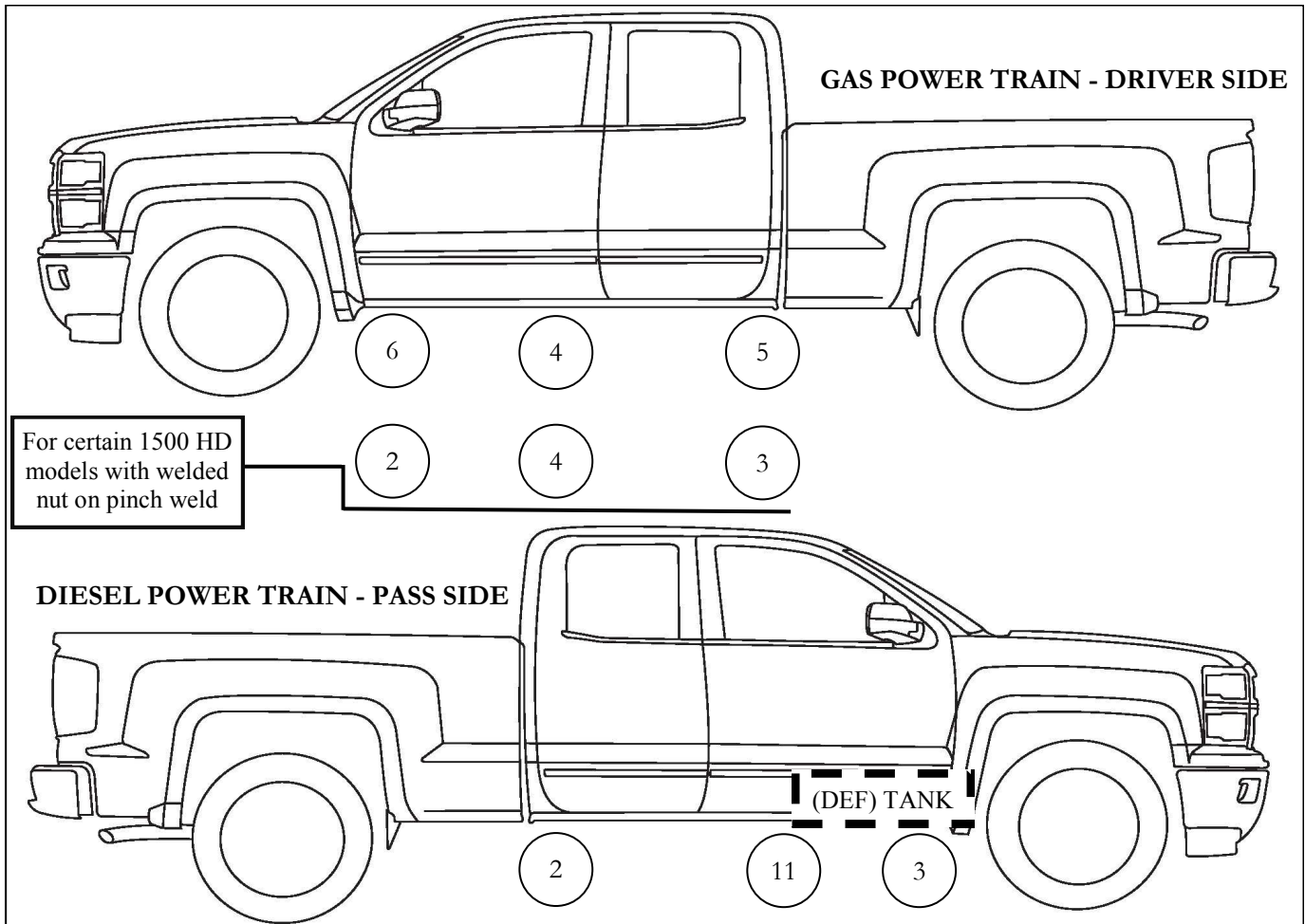


Westin Automotive Products, Inc.
320 W. Covina Blvd
San Dimas, Ca. 91773

Thank you for choosing Westin products
for additional installation assistance please call
Customer Service (800) 793-7846



NOTE: For installation on diesel equipped vehicles. Follow the instructions on the following page for the diesel exhaust fluid (DEF) tank removal. This is located adjacent to the passenger side front rocker panel. This is necessary for the installation of the front mounting brackets for the passenger side.

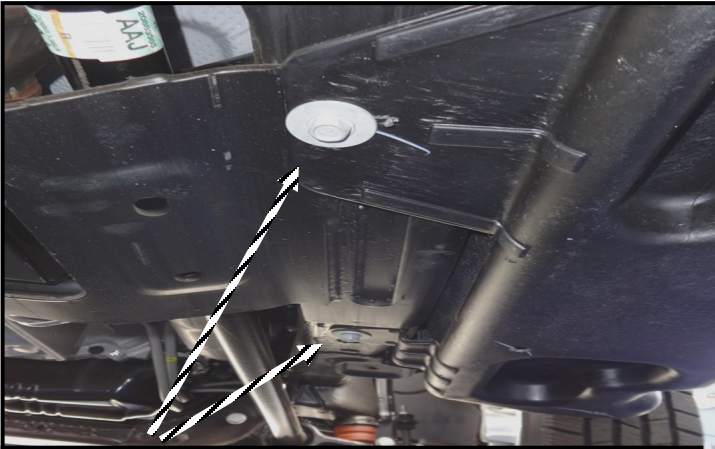


Westin Automotive Products, Inc.
320 W. Covina Blvd
San Dimas, Ca. 91773

Thank you for choosing Westin products
for additional installation assistance please call
Customer Service (800) 793-7846

DIESEL EXHAUST FLUID TANK REMOVAL INSTRUCTIONS

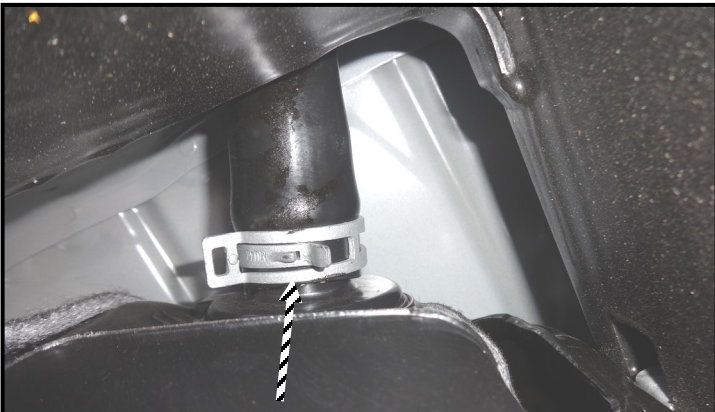
w/Diesel Power Train Only



Remove the three bolts that hold the plastic cover by using a ratchet with 13mm socket.



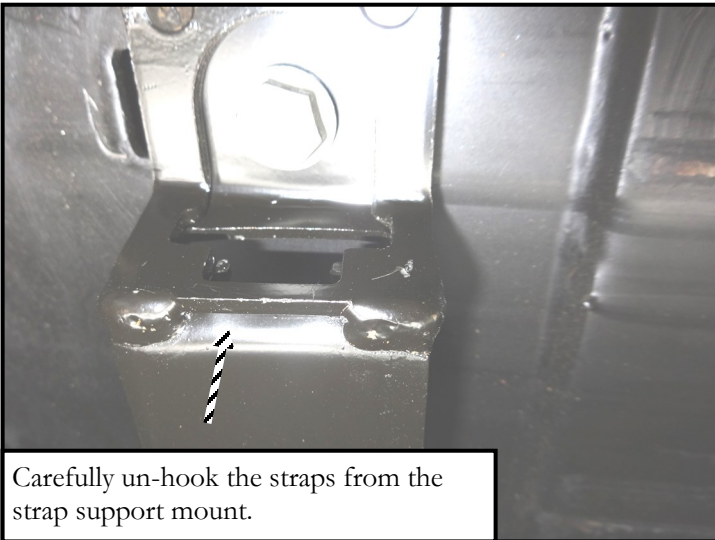
Remove the plastic cover by pulling it toward the side of the truck.



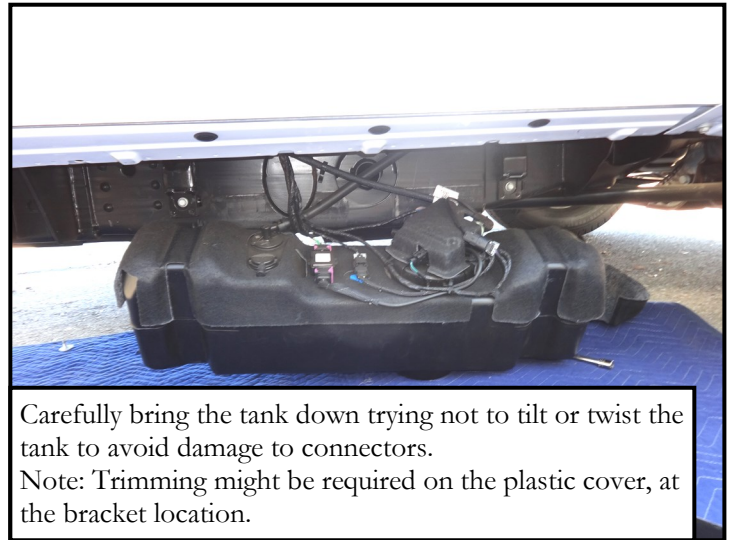
Use a set of pliers to loosen the hose clamp that is under the tank near the front of the truck that holds the filler hose. Carefully remove the filler hose from the tank.



Using a ratchet with a long extension and a 13mm socket to loosen and remove the bolts of the tank support straps. Use an assistant to help hold the tank.



Carefully un-hook the straps from the strap support mount.



Carefully bring the tank down trying not to tilt or twist the tank to avoid damage to connectors. Note: Trimming might be required on the plastic cover, at the bracket location.



Westin Automotive Products, Inc.
320 W. Covina Blvd
San Dimas, Ca. 91773

INSTALLATION COMPLETE



Care Instructions

- REGULAR WAXING IS RECOMMENDED. DO NOT USE ANY TYPE OF POLISH OR WAX THAT MAY CONTAIN ABRASIVES.
- STAINLESS STEEL PRODUCTS CAN BE CLEANED WITH MILD SOAP AND WATER. STAINLESS STEEL POLISH SHOULD BE USED TO POLISH SMALL SCRATCHES.
- GLOSS BLACK FINISHES SHOULD BE CLEANED WITH MILD SOAP AND WATER.



Westin Automotive Products, Inc.
320 W. Covina Blvd
San Dimas, Ca. 91773

Thank you for choosing Westin products
for additional installation assistance please call
Customer Service (800) 793-7846
www.westinautomotive.com

Westin

SIGNATURE OF QUALITY

AUTOMOTIVE PRODUCTS, INC.



WARNING



Failure to follow these instructions could lead to death, personal injury, and / or property damage.

FASTENERS:

All Westin supplied fasteners must be utilized and installed in accordance with the installation instructions and apply torque to the specifications as defined. **DOUBLE CHECK ALL FASTENERS BEFORE INITIAL USE, AND PERIODICALLY IN THE FUTURE TO ENSURE PROPER FUNCTION AND SAFETY.**

DRILLING:

Most Westin products do not require drilling for installation. If drilling is defined as required, use caution when drilling a vehicle. **FAILURE TO REVIEW AN AREA TO BE DRILLED MAY RESULT IN PERSONAL INJURY AND/OR INJURY TO OTHERS AS WELL AS VEHICLE DAMAGE.**

EYE PROTECTION:

ALWAYS WEAR SAFETY GLASSES OR GOGGLES DURING THE INSTALLATION PROCESS TO AVOID PERSONAL INJURY.

MAXIMUM TOWING/CARRYING CAPACITY:

The Westin Receiver Hitches will have a visible tow rating label affixed directly on the product. User should never exceed the vehicle manufacturers maximum tow and weight rating regardless of the capacity of the hitch. **FAILURE TO FOLLOW THESE GUIDELINES WILL VOID THE WESTIN WARRANTY AND MAY RESULT IN PERSONAL INJURY AND/OR INJURY TO OTHERS AS WELL AS VEHICLE DAMAGE.**

Westin
SIGNATURE OF QUALITY

Westin Automotive Products, Inc.
320 W. Covina Blvd
San Dimas, Ca. 91773