



# INSTALLATION INSTRUCTIONS

## R5 STEP BOARD

### APPLICATION:

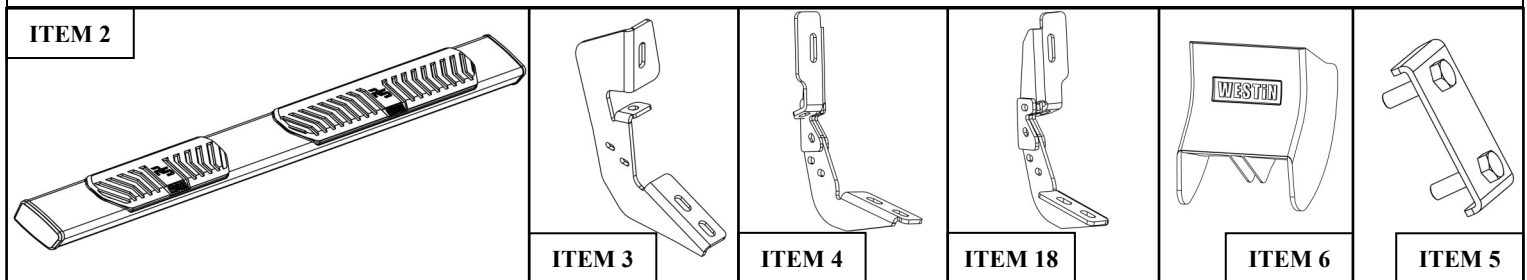
2007-2017 Chevrolet Silverado / GMC Sierra Extended / Double / Crew Cab

### AUTOMOTIVE PRODUCTS, PART NUMBER:

28-51020, 28-51025, 28-51030, 28-51035

ITEM	QUANTITY	DESCRIPTION	TOOLS NEEDED
1,2	2	STEP BOARDS, DRIVER (1) AND PASSENGER (2)	10MM SOCKET
3	4	MOUNT BRACKET A	13MM SOCKET
4	1	MOUNT BRACKET B	RATCHET
5	6	ADAPTER PLATE (ONLY FOR 28-51020 & 28-51030)	TORQUE WRENCH
6	6	PLASTIC BRACKET COVER	
7	12	M8 EXTRUDED U-NUT (YELLOW ZINC)	
8	12	M8 HEX HEAD CAP SCREW (BLACK ZINC) SEMS HARDWARE	
9	12	M8 SPLIT LOCK WASHER (BLACK ZINC) SEMS HARDWARE	
10	12	M8 FLAT WASHER (BLACK ZINC) SEMS HARDWARE	
11	12	M8 HEX NUT (BLACK ZINC)	
12	12	M8 FLAT WASHER (BLACK ZINC)	
13	12	M8 SPLIT LOCK WASHER (BLACK ZINC)	
14	12	M6 HEX HEAD CAP SCREW (YELLOW ZINC)	
15	24	M6 FLAT WASHER (YELLOW ZINC)	
16	12	M6 NYLOCK NUT (YELLOW ZINC)	
17	12	M8 SQUARE HEAD BOLT (BLACK ZINC) (ONLY FOR 28-51025 & 28-51035)	
18	1	MOUNT BRACKET C	

**ANTI-SEIZE LUBRICANT MUST BE USED ON ALL STAINLESS STEEL FASTENERS TO PREVENT THREAD DAMAGE AND GALLING**



### PROCEDURE

- Remove contents from box, verify if all parts listed are present and free from damage. Carefully read and understand all instructions before attempting installation.  
**Failure to identify damage before installation could lead to a rejection of any claim.**
- Starting on the driver side, remove the rubber plugs located on the rocker panel at each mounting location. Insert (2) M8 extruded u-nuts on the mount location. See **Figure 1**. **Note:** Some locations may have factory welded nut on mount location so only (1) M8 extruded u-nut will be used. See **Figure 2**.
- Locate (1) mount bracket A (Item 3) and loosely secure onto vehicle using the provided M8 SEMS hardware. See **Figure 3**. **Note:** Passenger side front/center mount location will install the same but will use mount bracket B/C (Item 4/18) for diesel applications. (**Figure 4**) **Note:** For installation on diesel equipped vehicles follow diesel exhaust fluid tank removal instructions on **page 5**. **Note:** Refer to **page 3** for the different bracket layouts for gas or diesel vehicles.

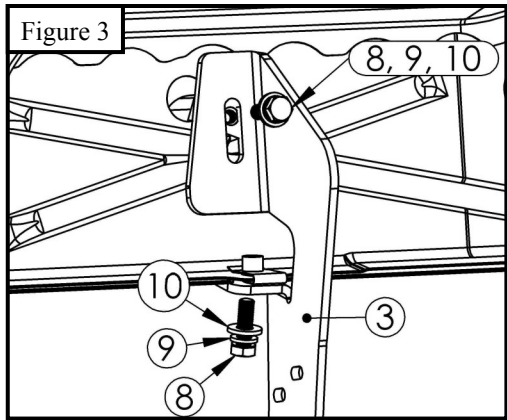
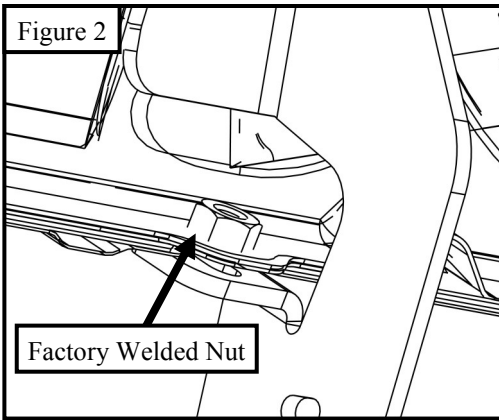
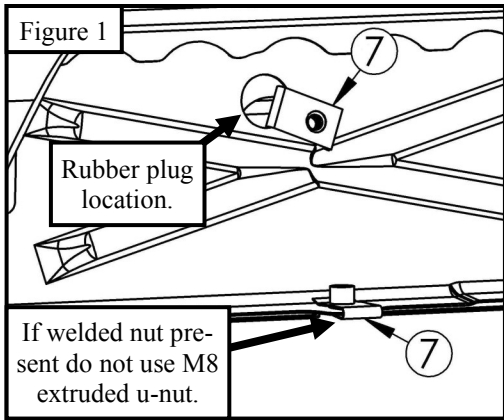


Westin Automotive Products, Inc.  
320 W. Covina Blvd  
San Dimas, Ca. 91773

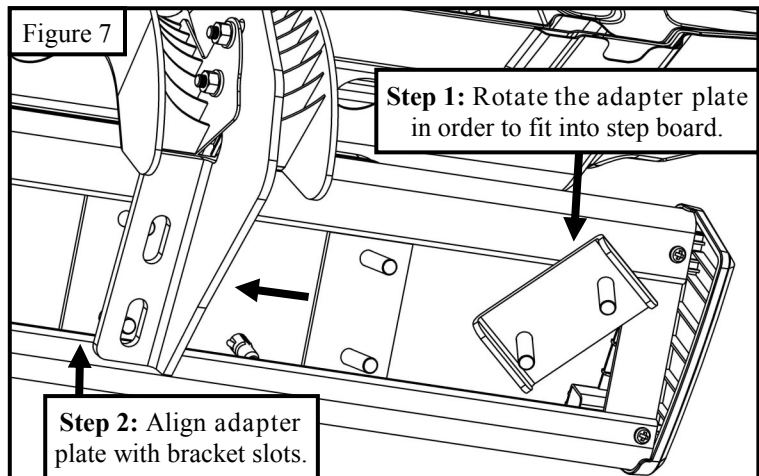
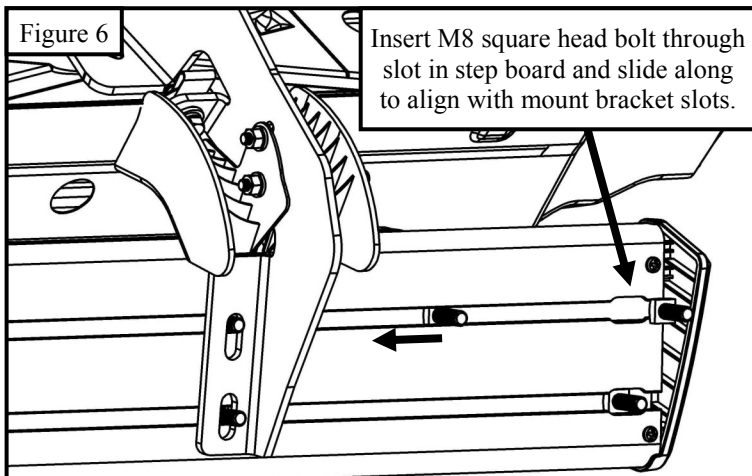
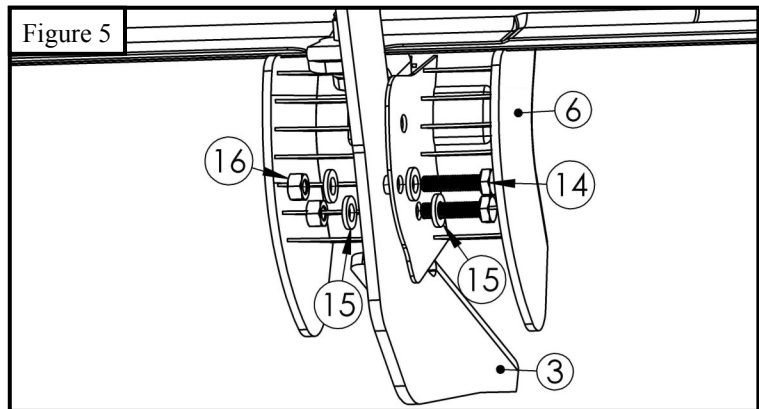
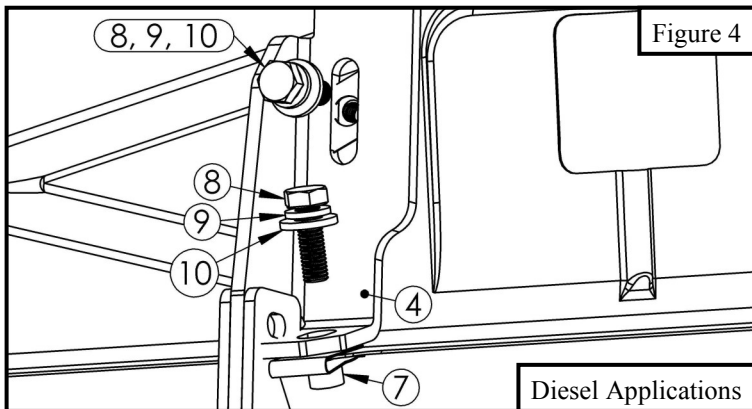
Thank you for choosing Westin products  
for additional installation assistance please call  
Customer Service (800) 793-7846

www.westinautomotive.com

DATE: 3/16/17



4. Locate (1) plastic bracket cover (Item 6) and loosely secure onto mount bracket using the provided M6 hardware (Items 14 - 16). See **Figure 5**.
5. Repeat **Steps 2 - 4** for every mount location. **Note:** Front and center passenger side will use mount bracket B and mount bracket C or both bracket B and C in the rear instead of mount bracket A. Refer to **Page 3** for bracket orientation.
6. **For Part Numbers 28-51025 and 28-51035:** Locate (1) driver side step board (Item 1) and (6) M8 square head bolts (Item 17). Slide the M8 square head bolts through the slots underneath the step board and align with the previously installed mount brackets. Repeat for passenger side. See **Figure 6**.
7. **For Part Numbers 28-51020 and 28-51030:** Locate (1) driver side step board (Item 1) and (3) adapter plates (Item 5). Insert the adapter plates onto the step board and align with the previously installed mount brackets. Repeat for passenger side. See **Figure 7**.

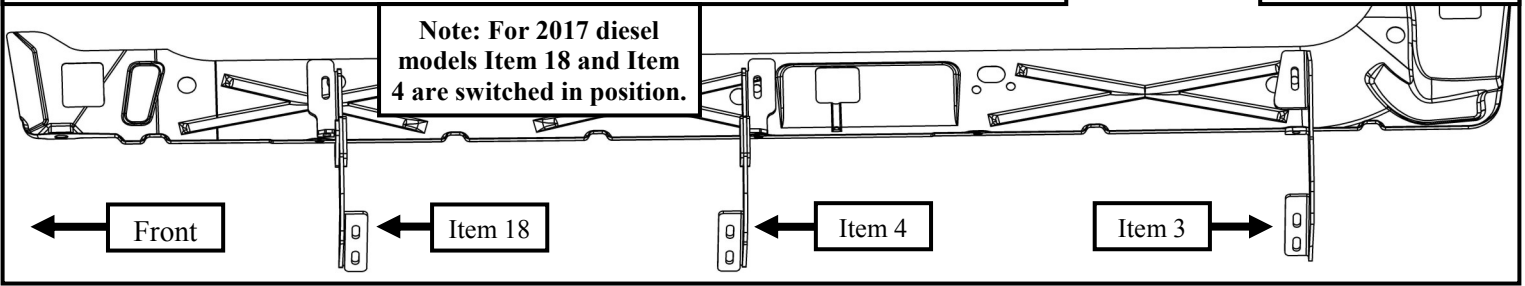


Westin Automotive Products, Inc.  
320 W. Covina Blvd  
San Dimas, Ca. 91773

Thank you for choosing Westin products  
for additional installation assistance please call  
Customer Service (800) 793-7846

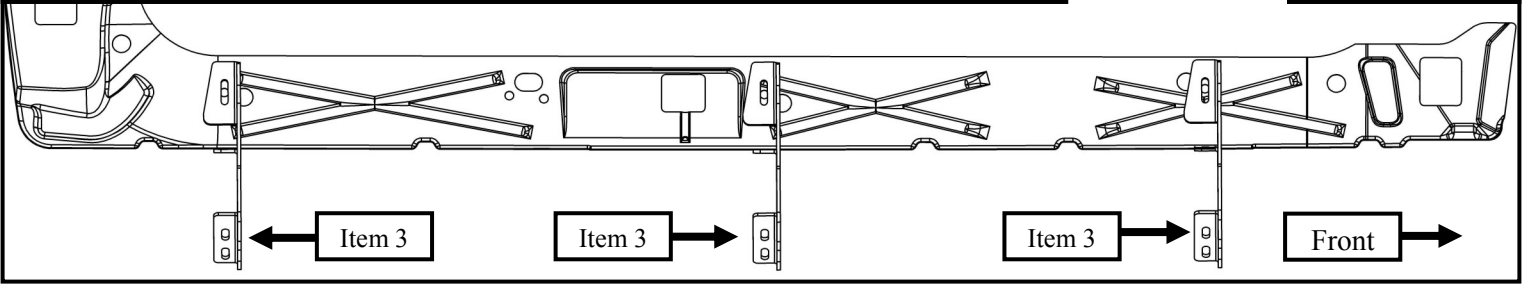
ALL 2011 - 2016 DIESEL SILVERADO / SIERRA: EXTENDED/DOUBLE AND CREW CAB

Passenger side shown

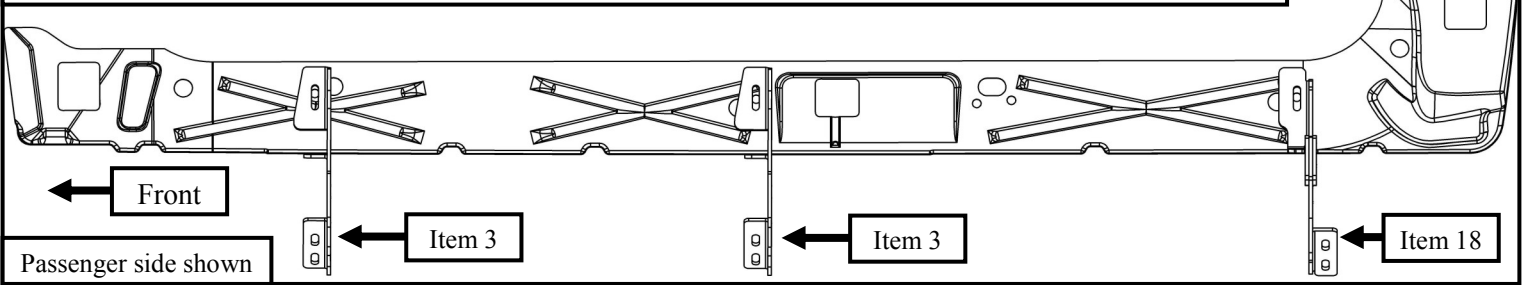


ALL 2011 - 2017 DIESEL SILVERADO / SIERRA: EXTENDED/DOUBLE AND CREW CAB

Driver side shown

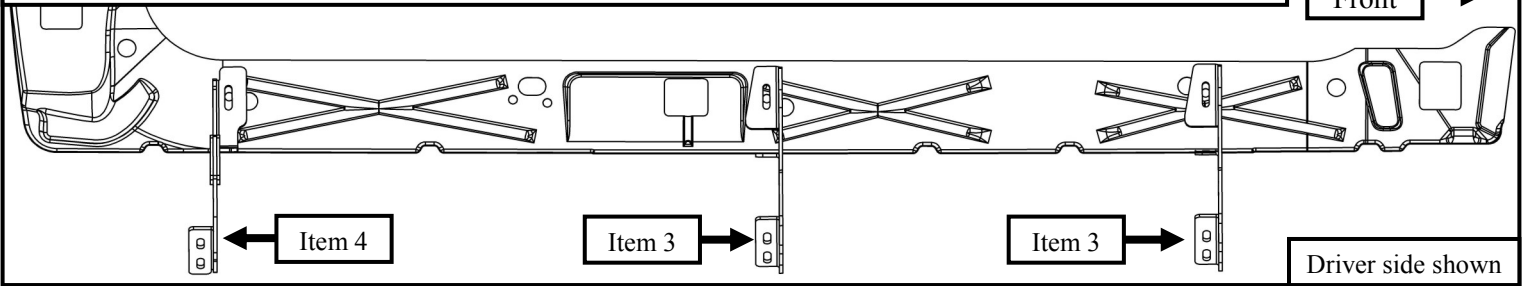


ALL 2007 - 2010 DIESEL & 2007 - 2017 GAS SILVERADO / SIERRA: EXTENDED/DOUBLE AND CREW CAB



ALL 2007 - 2010 DIESEL & 2007 - 2017 GAS SILVERADO / SIERRA: EXTENDED/DOUBLE AND CREW CAB

Front →

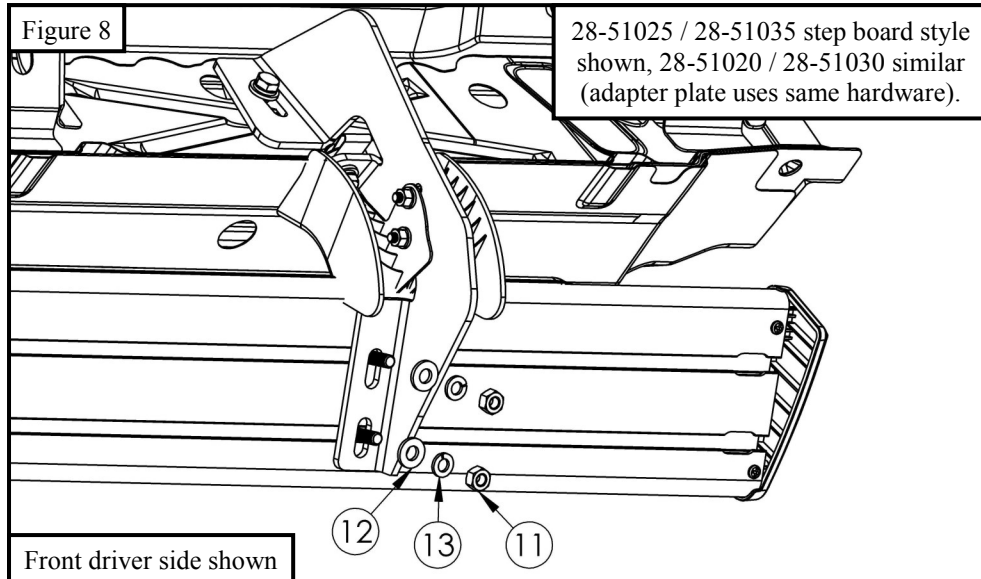


Westin Automotive Products, Inc.  
 320 W. Covina Blvd  
 San Dimas, Ca. 91773

Thank you for choosing Westin products  
 for additional installation assistance please call  
 Customer Service (800) 793-7846  
 www.westinautomotive.com



8. Loosely secure the step board onto each mount bracket using (2) M8 hex nuts, (2) M8 split lock washers, and (2) M8 flat washers (Items 11 - 13). See **Figure 8**.
9. Adjust and align as necessary the mount brackets, step boards, and bracket covers and then tighten M8 hardware to 15-17 ft-lbs and M6 to 5-7 ft-lbs.



**CARE INSTRUCTIONS**

- REGULAR WAXING IS RECOMMENDED. DO NOT USE ANY TYPE OF POLISH OR WAX THAT MAY CONTAIN ABRASIVES.
- STAINLESS STEEL PRODUCTS CAN BE CLEANED WITH MILD SOAP AND WATER. STAINLESS STEEL POLISH SHOULD BE USED TO POLISH SMALL SCRATCHES.
- GLOSS BLACK FINISHES SHOULD BE CLEANED WITH MILD SOAP AND WATER.



Westin Automotive Products, Inc.  
320 W. Covina Blvd  
San Dimas, Ca. 91773

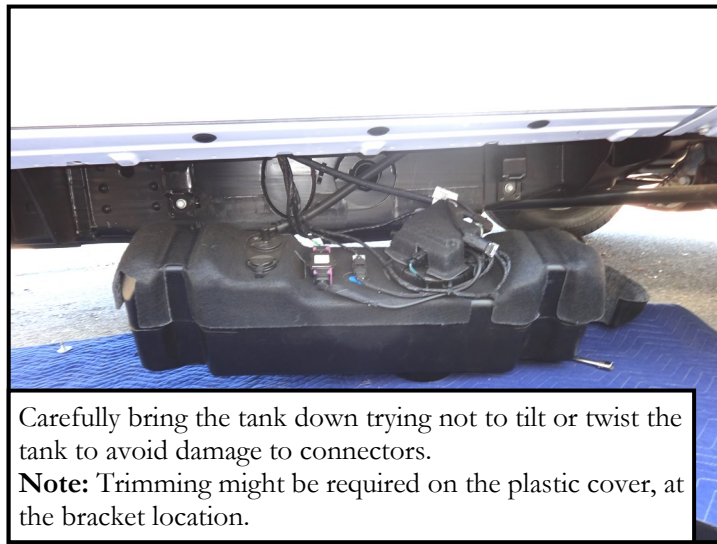
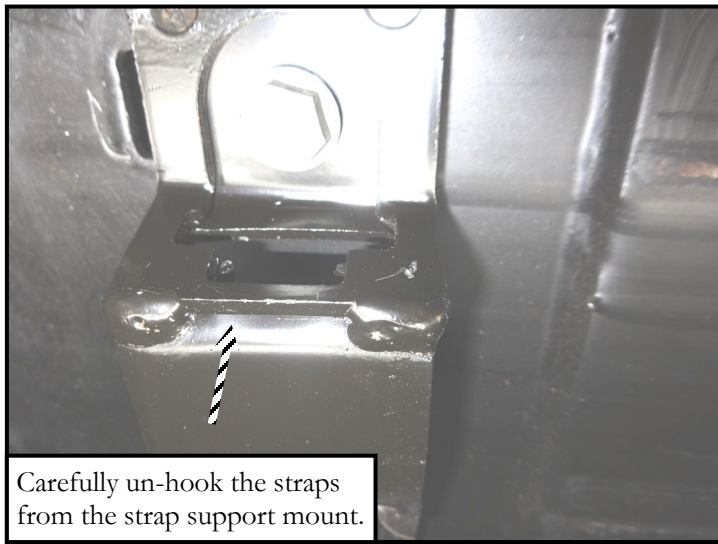
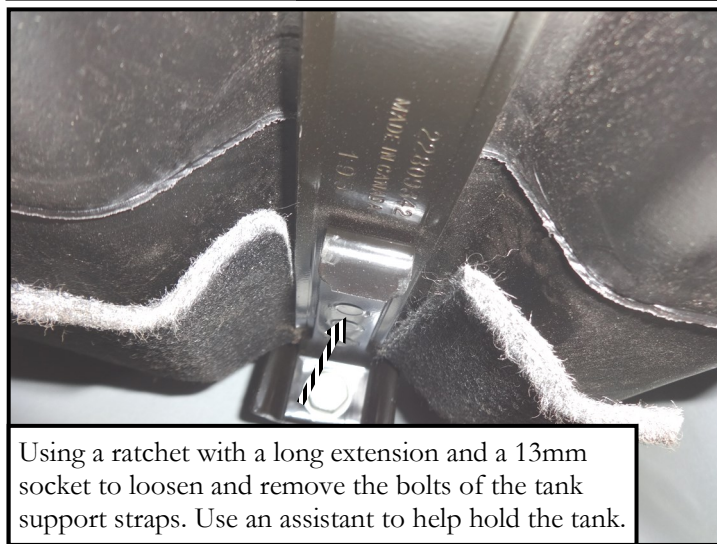
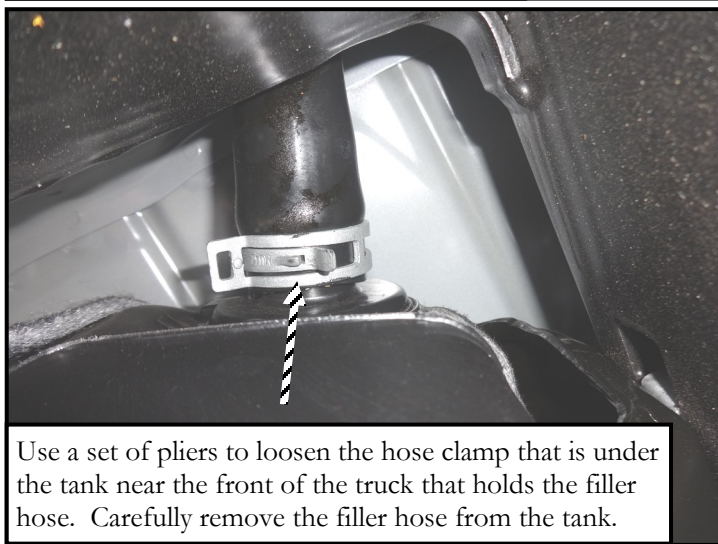
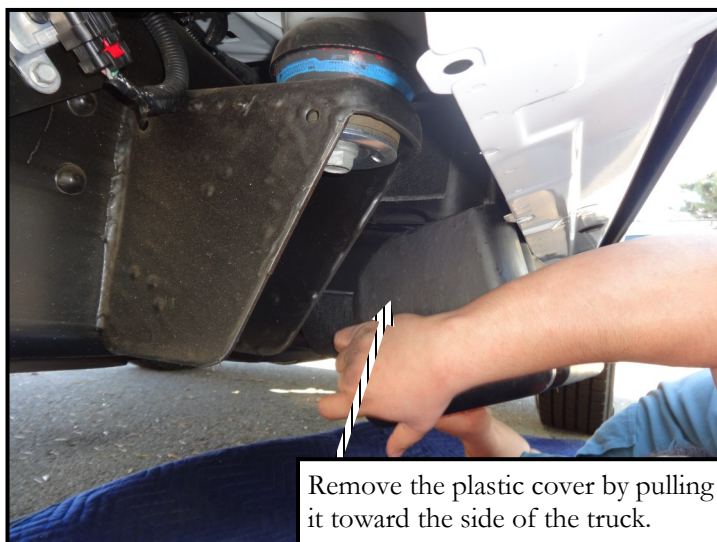
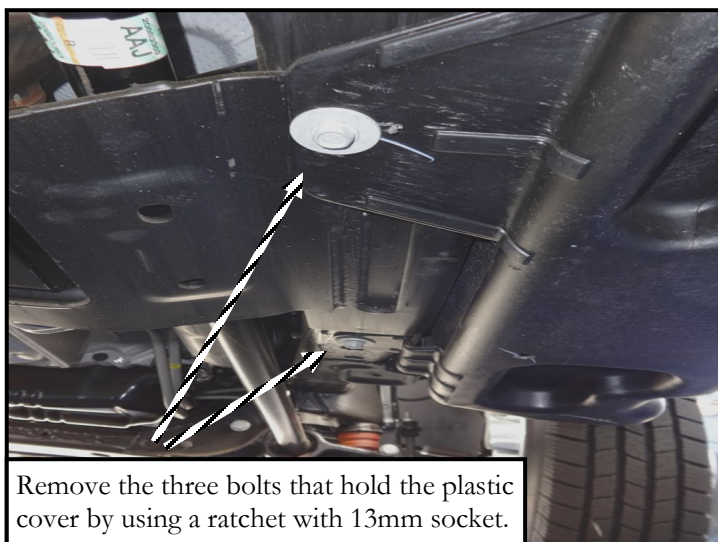
Thank you for choosing Westin products  
for additional installation assistance please call  
Customer Service (800) 793-7846

[www.westinautomotive.com](http://www.westinautomotive.com)

# DIESEL EXHAUST FLUID TANK REMOVAL INSTRUCTIONS

## w/Diesel Power Train Only

**Note: For 2017 models removal of the DEF tank is not necessary.**



Westin Automotive Products, Inc.  
320 W. Covina Blvd  
San Dimas, Ca. 91773

Thank you for choosing Westin products  
for additional installation assistance please call  
Customer Service (800) 793-7846  
www.westinautomotive.com



# Westin

SIGNATURE OF QUALITY

AUTOMOTIVE PRODUCTS, INC.



## WARNING



Failure to follow these instructions could lead to death, personal injury, and / or property damage.

### FASTENERS:

All Westin supplied fasteners must be utilized and installed in accordance with the installation instructions and apply torque to the specifications as defined. **DOUBLE CHECK ALL FASTENERS BEFORE INITIAL USE, AND PERIODICALLY IN THE FUTURE TO ENSURE PROPER FUNCTION AND SAFETY.**

### DRILLING:

Most Westin products do not require drilling for installation. If drilling is defined as required, use caution when drilling a vehicle. **FAILURE TO REVIEW AN AREA TO BE DRILLED MAY RESULT IN PERSONAL INJURY AND/OR INJURY TO OTHERS AS WELL AS VEHICLE DAMAGE.**

### EYE PROTECTION:

**ALWAYS WEAR SAFETY GLASSES OR GOGGLES DURING THE INSTALLATION PROCESS TO AVOID PERSONAL INJURY.**

### MAXIMUM TOWING/CARRYING CAPACITY:

The Westin Receiver Hitches will have a visible tow rating label affixed directly on the product. User should never exceed the vehicle manufacturers maximum tow and weight rating regardless of the capacity of the hitch. **FAILURE TO FOLLOW THESE GUIDELINES WILL VOID THE WESTIN WARRANTY AND MAY RESULT IN PERSONAL INJURY AND/OR INJURY TO OTHERS AS WELL AS VEHICLE DAMAGE.**

**Westin**  
SIGNATURE OF QUALITY

Westin Automotive Products, Inc.  
320 W. Covina Blvd  
San Dimas, Ca. 91773