

**2019–CURRENT Chevy/GMC Silv/Sierra Lt Duty Crew Cab (New Body Style)  
+ 2020–CURRENT Silv/Sierra HD Crew Cab (New Body Style) – Underseat**

*Fits DU-HA Part Numbers*  
10400 10410  
10401

### Storage Installation Instructions:

- 1** Lift up the bottoms of both sides of the back seat.  
If you do *not* have the factory storage tray, proceed to step 3.
- 2** Remove the factory storage tray, using a 10mm socket to remove the 2 nuts holding the jack mounting plate on the passenger side and remove jack. Next remove the jack tools by loosening the knob holding them in place. Use a 10mm socket to remove the plastic screw holding the driver's side of the factory storage tray. Remove the factory storage tray from the vehicle. Re-install the jack mount plate.
- 3** Remove jack from it's holder by turning the red/yellow knob on jack to make jack retract.
- 4** Position DU-HA (A) under the back seat, with the hole for the jack tools facing the rear of the truck, slide the hole over the threaded post for the jack tools. Next, position the holes on the passenger side over the threaded posts for the jack mount/over jack mount plate.

**NOTE:** Some floor mats may need to be trimmed for the DU-HA to fit properly.

- 5** Secure in place by re-installing the jack into the jack holder plate, make sure the holes in the bottom of the jack get seated into the tabs on the jack mount plate then extend jack.
- 6** Install the Foam Floor (C) by placing it in the bottom of the DU-HA (A), as shown.
- 7** Install the jack tools back from where they were removed.
- 8** Install Foam Organizer / Gun Racks (B) by sliding them into the channel slots inside the DU-HA (A) and on top of the Foam Floor (C), as shown.
- 9** Lower the bottoms of both sides of the back seat to their original position.

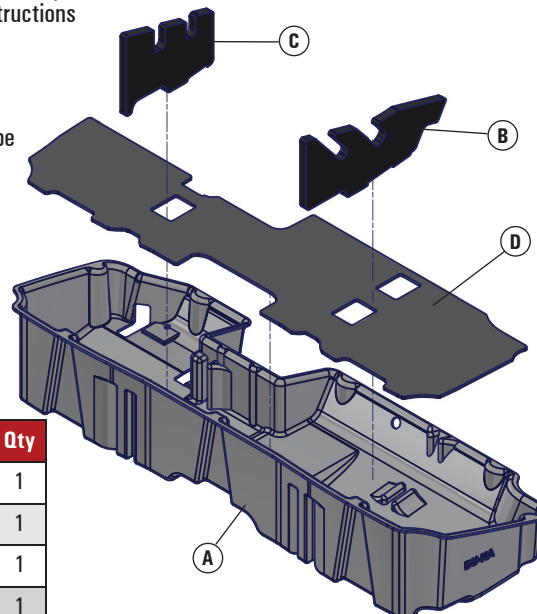
– **NOTE:** Some floor mats may need to be trimmed for the DU-HA to fit properly.

### Safety Instructions:

**Warning:** Seat bottom must be down at all times while vehicle is moving. Make sure the DU-HA is secured in the vehicle according to installation instructions. Do not store explosives or hazardous materials in the DU-HA. Do not place loaded guns in the DU-HA. For further instructions refer to truck owners manual or contact DU-HA, Inc.



2 shotguns or rifles, 1 with scope (face scope downward), will fit in the gun rack, as pictured.



Part	Part Number	Description	Qty
A	--	DU-HA Storage Unit	1
B	1001331	Left Foam Organizer / Gun Rack	1
C	1001332	Right Foam Organizer / Gun Rack	1
D	1001335	Foam Floor	1

