

INSTALLATION INSTRUCTIONS

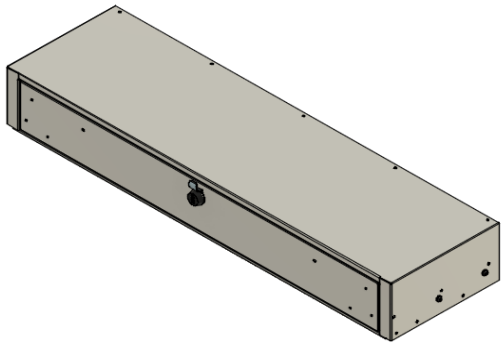
46" UNDER REAR SEAT DRAWER

(P/N# 44001-01-03/44001-01-01)

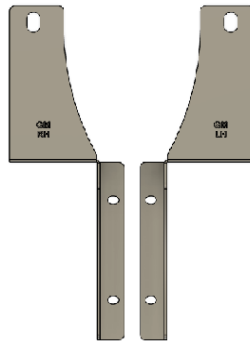
2015-2025 F-SERIES SUPERCREW

2019-2025 CHEVY/GMC CREW CAB

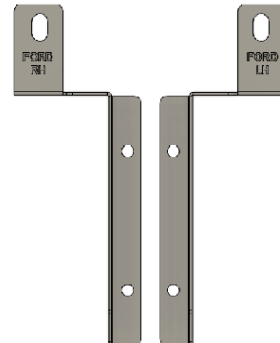
PARTS CHECKLIST



46" DRAWER ASSEMBLY



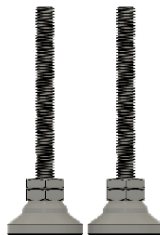
#1 - GM LEFT AND RIGHT
SIDE MOUNTING BRACKETS



#2 - FORD LEFT AND RIGHT
SIDE MOUNTING BRACKETS



#3 (8) 5/16" TAMPER
RESIST TORX SCREWS



#4 (2) SELF-LEVELING FEET



T40 TAMPER RESIST TORX WRENCH

TOOLS NEEDED FOR FORD INSTALLATION

- 13mm Socket, Extension, and Ratchet
- 10mm Open End Wrench
- Large Flat Blade Screwdriver

TOOLS NEEDED FOR GM INSTALLATION

- 18mm Socket, Extension, and Ratchet
- 10mm Open End Wrench
- Large Flat Blade Screwdriver

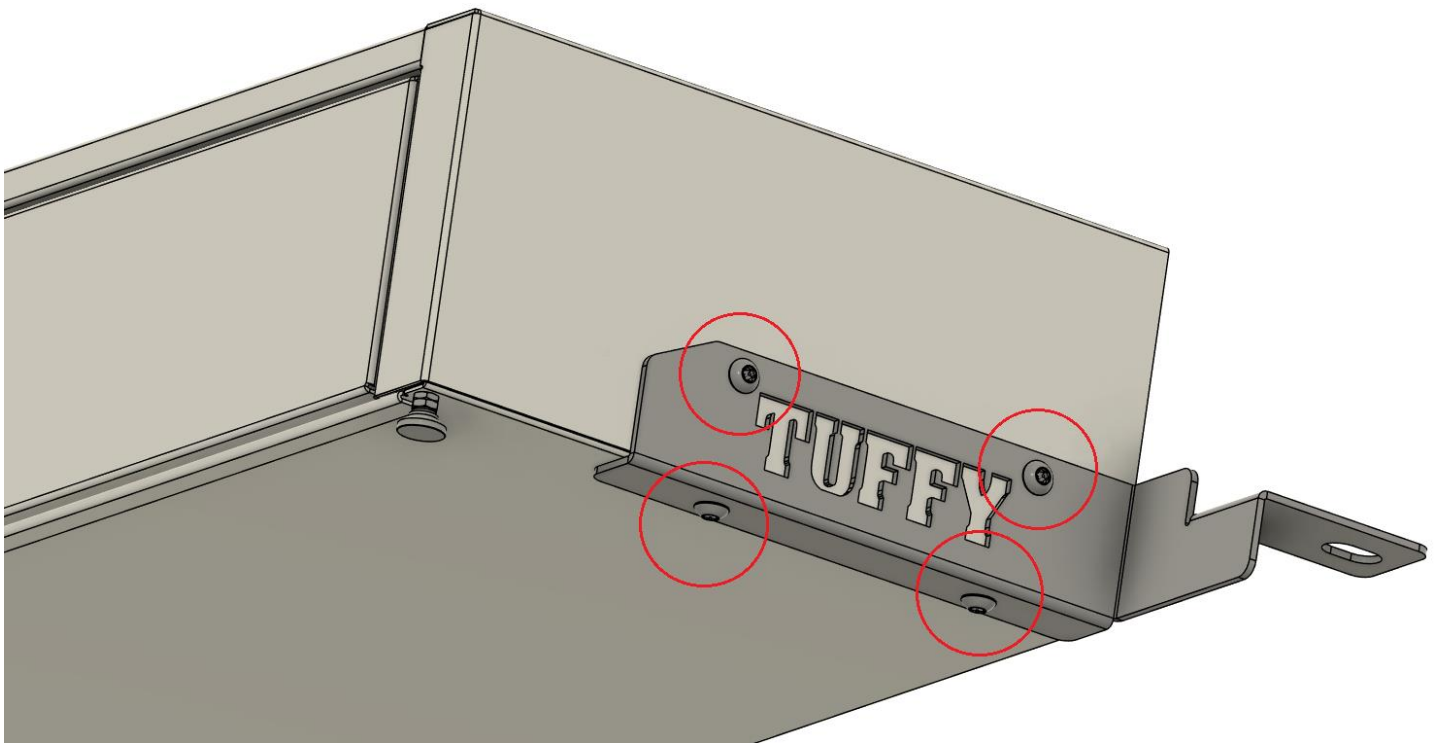
OPTIONAL TOOLS FOR GM INSTALLATION (To remove factory tray)

- 10mm Socket, Extension, and Ratchet
- T40 Torx Wrench (Included with Shipping Package in product)

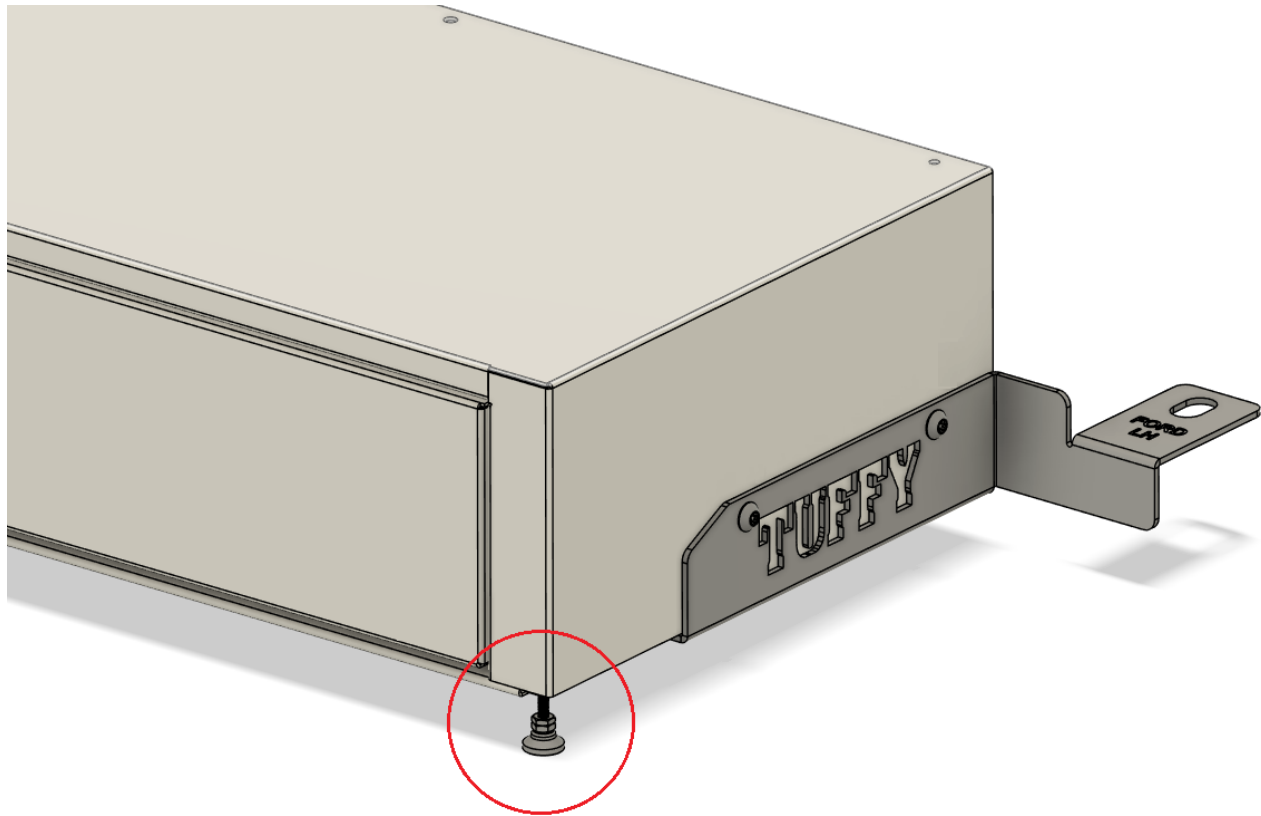
*****DUE TO THE HEAVY WEIGHT OF THE PRODUCT A SECOND SET OF HANDS IS RECOMMENDED*****

FORD F-SERIES INSTALLATION

1. Prepare the vehicle for installation by flipping both rear seat bottoms up, so they are secured in the upright position.
2. With assistance, place the drawer on the floor of the rear passenger area of the vehicle.
3. Using the **provided T40 Torx Wrench**, install the **#2 Left and Right-Side Mounting Brackets** to the Drawer Assembly using **four #3 Torx Screws** per side. **Do not fully tighten the screws until all the screws have been started.**



4. Thread the **#4 Self-Leveling Feet** into the thread inserts on the front bottom side front corners of the Drawer Assembly, leaving approximately ½” of thread exposed.



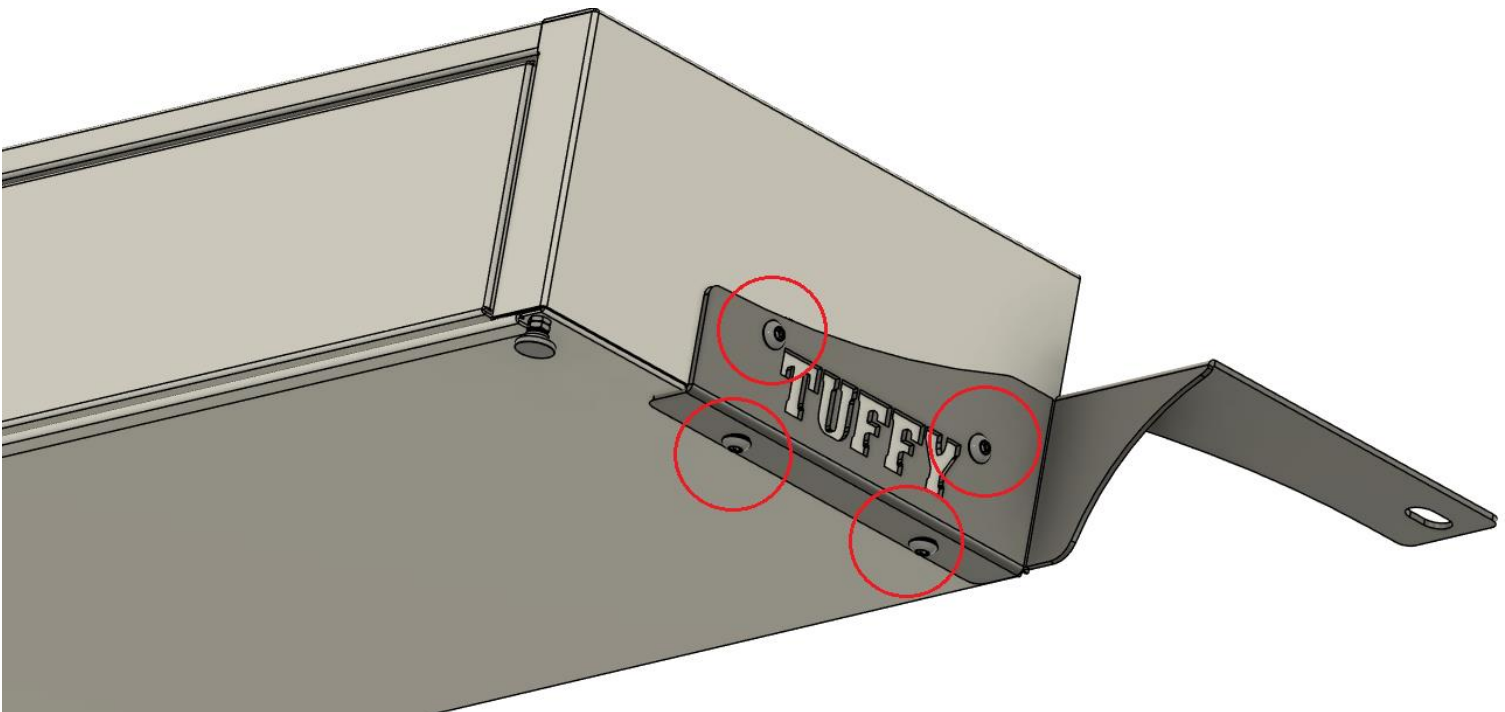
5. Remove both left and right-side OEM outer seat bolts (secures the seat to the floor) using the 13mm Socket and Ratchet. Loosen the inner seat bolts.
6. Starting with one side, slide the drawer assembly rearward so the mounting bracket tab is between the OEM seat mount bracket and the carpet. Use the flat blade screwdriver between the seat mount bracket and floor of the vehicle to apply upward pressure to create space for the drawer mounting bracket to move into position. Look down from the top to see if it is in position for the OEM seat bolt to go through.
7. Thread the OEM seat mount bolt into the vehicle, making sure it passes through both the OEM seat mount and the holes in the Mounting Bracket. **Do not fully tighten at this time.**
8. Repeat Steps 6 and 7 with the opposite side.
9. Adjust the Self-Leveling Feet until the Drawer Assembly is level. (The feet can also be used to level the Drawer Assembly so there is no interference with taller floor mats such as WeatherTech.) Using the 10mm wrench, tighten the jam nuts to hold the feet in the desired position.
10. Adjust the drawer side to side position in relation to the vehicle so that it is square.
11. Once the drawer is in the final position, use the 13mm Socket to tighten the OEM seat bolts.

 PLEASE READ ALL INSTRUCTIONS THOROUGHLY BEFORE STARTING INSTALLATION

*****DUE TO THE HEAVY WEIGHT OF THE PRODUCT A SECOND SET OF HANDS IS RECOMMENDED*****

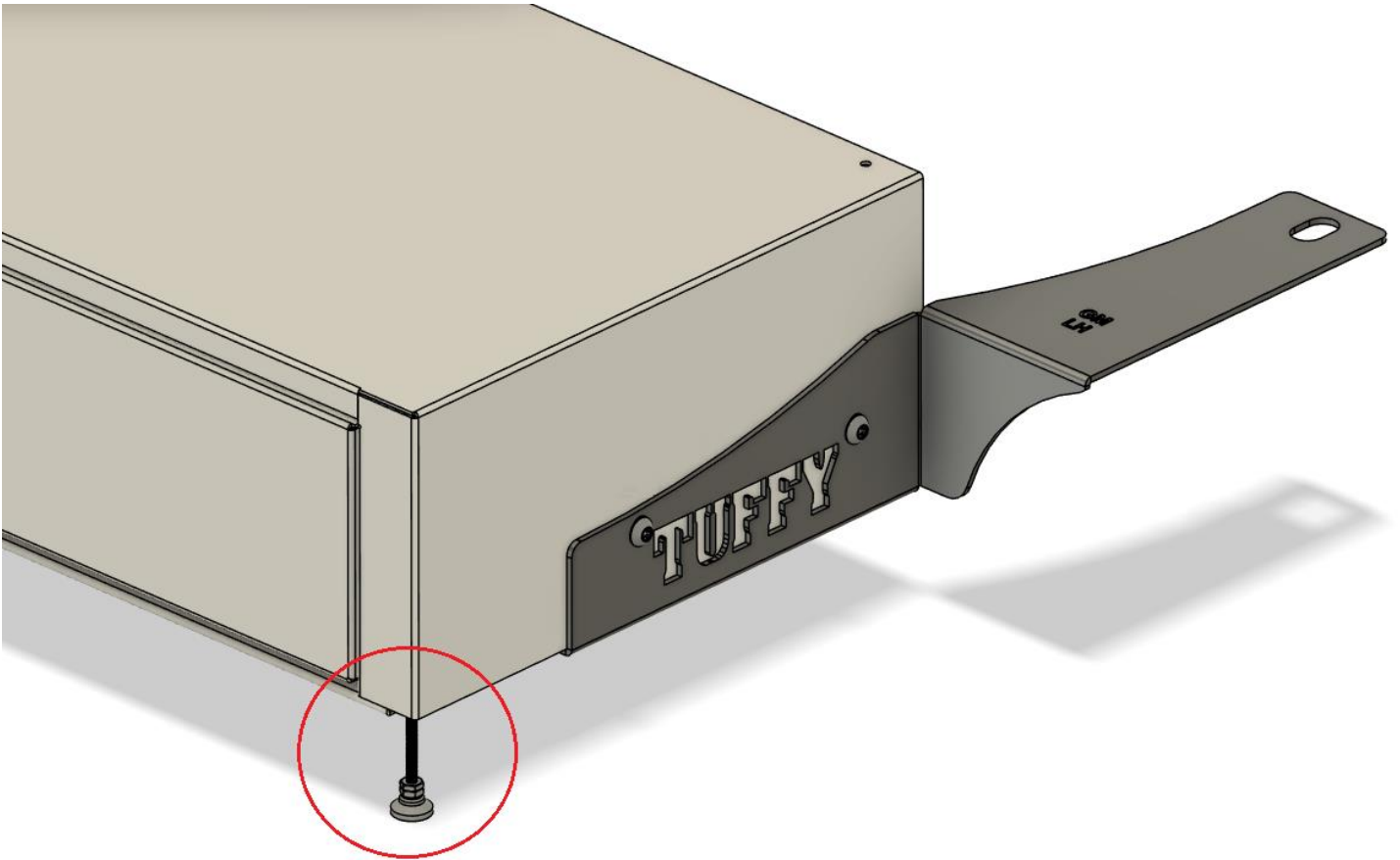
CHEVY/GMC INSTALLATION

1. Prepare the vehicle for installation by flipping both rear seat bottoms up, so they are secured in the upright position.
2. With assistance, place the drawer on the floor of the rear passenger area of the vehicle.
3. Using the provided **T40 Torx Wrench**, install the **#1 Left and Right-Side Mounting Brackets** to the Drawer Assembly using **four #3 Torx Screws** per side. **Do not fully tighten screws until all of the screws have been started.**



 Call 800-348-8339 for Technical Support

4. Thread the **#4 Self-leveling Feet** into the thread inserts on the front bottom side corners of the Drawer Assembly, leaving approximately 1-1/2" of thread exposed.



5. Remove both left and right side OEM outer seat bolts (secures the seat to the floor) using the 18mm Socket and Ratchet. Loosen the inner seat bolts.
6. Starting with one side, slide the drawer assembly rearward so the mounting bracket tab is between the OEM seat mount bracket and the carpet. Use the flat blade screwdriver between the seat mount bracket and floor of the vehicle to apply upward pressure to create space for the drawer mounting bracket to move into position. Look down from the top to see if it is in position for the OEM seat bolt to go through.
7. Thread the OEM seat mount bolt into the vehicle, making sure it passes through both the OEM seat mount and the holes in the Mounting Bracket. **Do not fully tighten at this time.**
8. Repeat Steps 7 and 8 with the opposite side.
9. Adjust the Self-Leveling feet until the Drawer Assembly is level. (The feet can also be used to level the Drawer Assembly so there is no interference with taller floor mats such as WeatherTech.) Using the 10mm wrench, tighten the jam nuts to hold the feet in the desired position.
10. Adjust the drawer side to side position in relation to the vehicle so that it is square.
11. Once the drawer is in the final position, use the 18mm Socket to tighten the OEM seat bolt.

 Call 800-348-8339 for Technical Support