

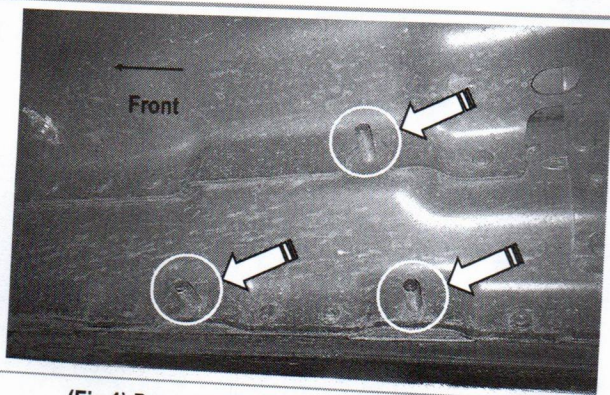
iBoard®



Scan for
Installation Video

STEP 1

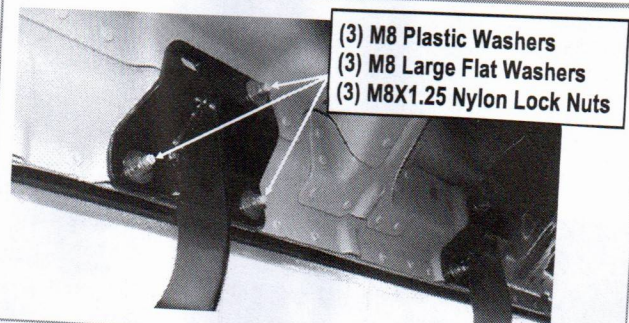
Start the installation under the passenger side of the vehicle. Locate the front factory running board mounting location along the inner side of the body, (Fig 1).



(Fig 1) Passenger Side Front Mounting Location

STEP 3

Select (1) Mounting Bracket. **NOTE:** All (4) Brackets are universal and will fit left or right side for front, rear mounting location. Attach the Mounting Bracket to the (3) factory studs on Passenger Side Front Mounting Location with (3) M8 Large Flat Washers and (3) M8X1.25 Nylon Lock Nuts, (Fig 3). Snug but do not fully tighten the hardware.

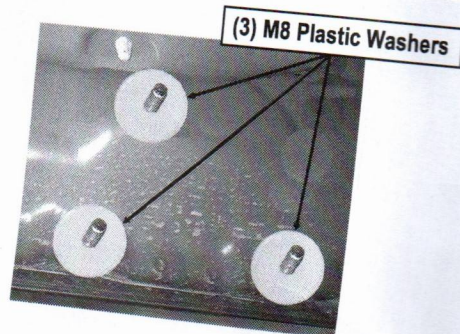


(Fig 3) Passenger Front Mounting Bracket Installed

STEP 2

Slide (1) M8 Plastic Washer over each factory mounting stud in the body panel, (Fig 2).

IMPORTANT: The Plastic Washers are designed to prevent corrosion between the aluminum body panel and the steel mounting brackets.



(Fig 2) Slide the Plastic Washers Over the Mounting Studs

STEP 4

Repeat Steps 1-3 to install the Driver Rear Mounting Bracket.

STEP 5

Once all (2) Passenger side mounting brackets are installed, then proceed to the Step Bar installation. (Figs 4 & 5)

- (1) Select (1) Slider and (2) M8X1.25-35mm Carriage Bolts;
- (2) Install (2) M8X1.25-35mm Carriage Bolts in (1) Slider.
- (3) Slide the Slider (with carriage bolts) to the Step Bar.
- (4) Repeat to install the other (1) slider to the step bar.
- (5) Attach the Step Bar (with the Sliders) onto the installed mounting brackets. Position the Sliders to the installed brackets. Secure the Step Bar to the installed Brackets by using (4) M8 Large Flat Washers and (4) M8 Nylon Lock Nuts and (2) Sliders, (Fig 5). Do not fully tighten hardware at this time.

Customer Support: info@iboardauto.com

iBoard®



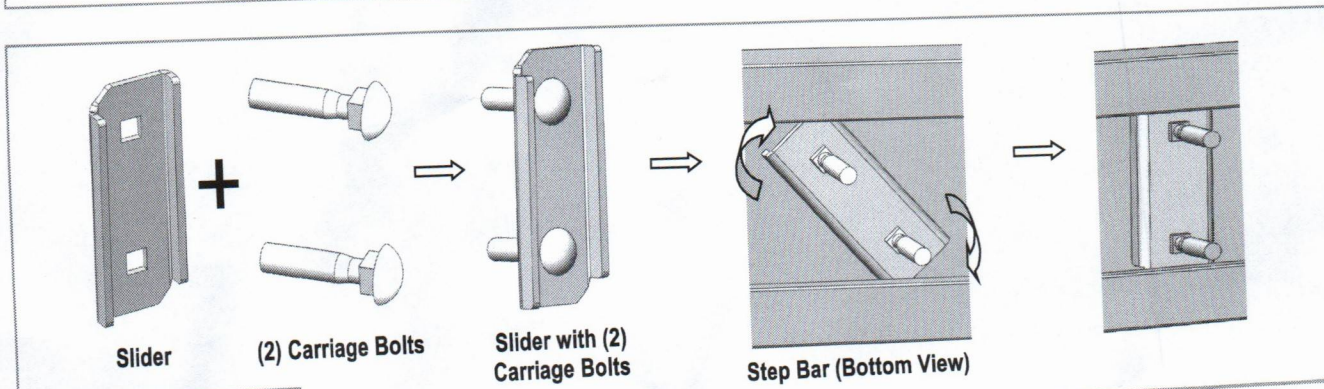
Scan for
Installation Video

Note: The Sliders are packed with the Step Bars.
Level and adjust the Step Bar and fully tighten all hardware.
Repeat **Steps 1-5** for the other side Step Bar installation. **The installation is completed!!!**

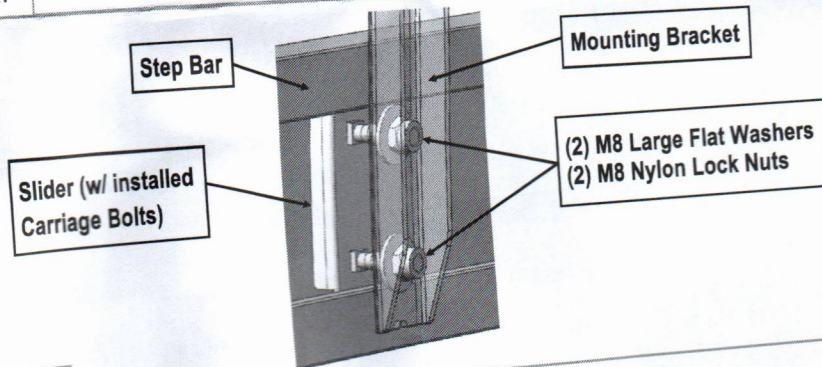
Attention

Do periodic inspections to the installation to make sure that all hardware is secure and tight.

In order to protect your bars/boards, please use mild soap/non-abrasive products for cleaning only.



(Fig 4) Slider Installation



(Fig 5) Step Bar Installation