

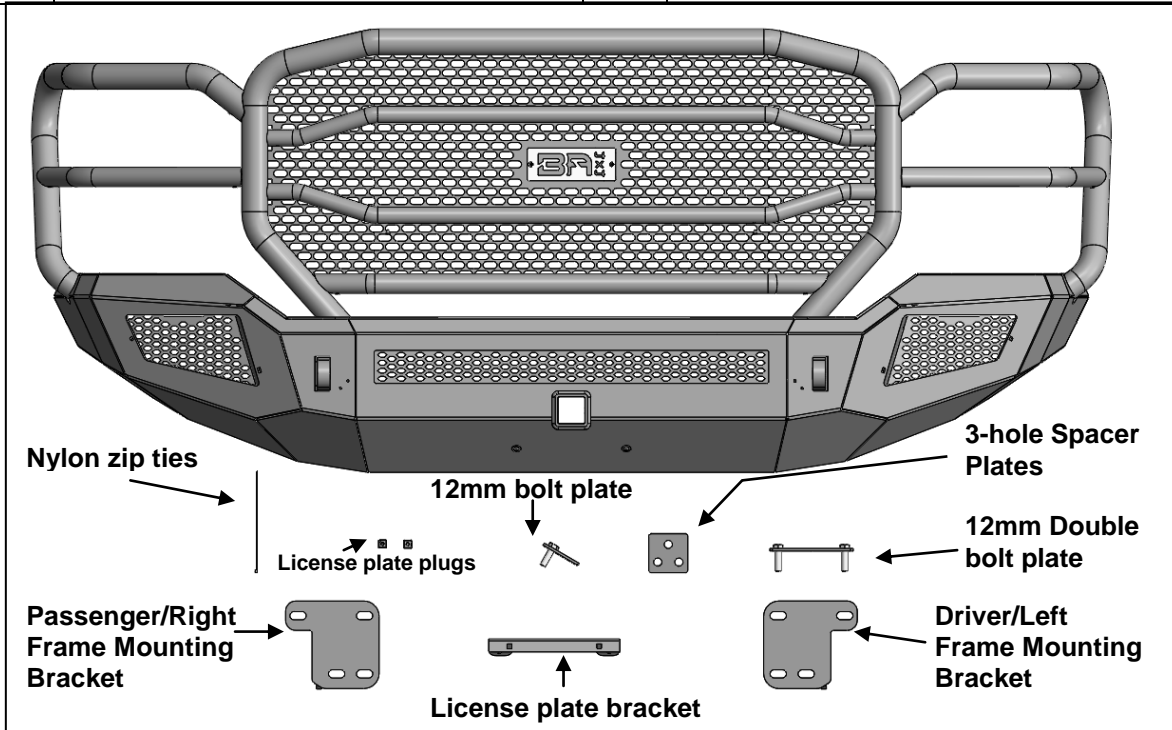


INSTALLATION INSTRUCTIONS

2011-2016 F250/F350 SUPER DUTY AMBUSH XT FRONT BUMPER (NON-WINCH) PART #FD-20338

PARTS LIST:

1	Ambush HD Bumper with Grille Guard	18	12mm Lock washers
1	Center mesh plate	18	12mm Hex nuts
1	Driver/Left Mounting Bracket	8	12mm Plastic retainers
1	Passenger/Right Mounting Bracket	4	8-1.25mm x 25mm Hex bolts
2	LED /Mesh bracket	2	8-1.25mm x 16mm Hex bolts
1	License plate bracket	8	8mm x 24mm x 2mm Flat washers
2	License plate plugs	4	8mm Lock washers
10	200mm Zip ties	4	8-1.25mm Hex nut
2	3-hole spacer plate	2	6-1.0mm x 20mm Button Head bolt
10	12-1.75mm x 50mm Hex bolts	4	6mm x 18mm x 1.6mm Flat washers
2	12-1.75mm x 45mm Double Bolt Plates	2	6-1.00mm Nylon Hex nut
4	12-1.75mm x 40mm Bolt Plates	1	S=4mm Wrench
28	12mm x 32mm x 3mm Flat washers		



PROCEDURE:

REMOVE CONTENTS FROM BOX. VERIFY ALL PARTS ARE PRESENT. READ INSTRUCTIONS CAREFULLY BEFORE STARTING INSTALLATION. BUMPER IS HEAVY, ASSISTANCE IS HIGHLY RECOMMENDED TO AVOID POSSIBLE INJURY OR DAMAGE TO THE VEHICLE.

1. Remove the license plate and bracket. On models with factory fog lights, unplug both lights. Release the wiring harness from the clips attached to the back of the bumper, (Figures 1 & 2). Move harness away from bumper. **NOTE:** Fog lights will not be reused in this bumper

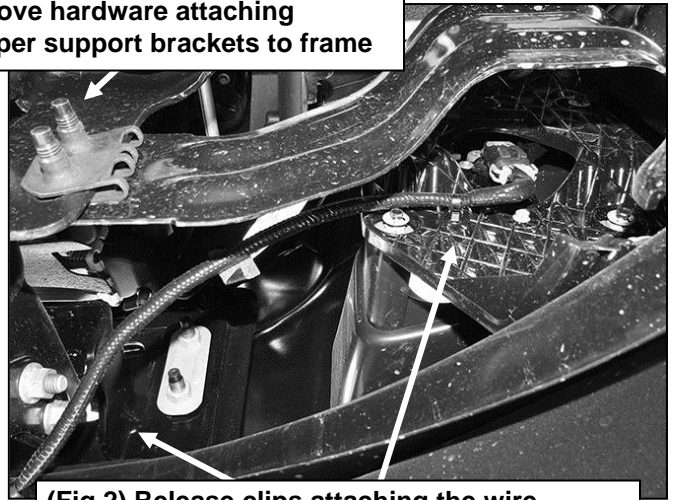
2. Release the rubber air deflector from the back of the bumper. Next, remove the hardware at each end of the bumper, attaching the bumper supports to each side of the frame, **(Figure 2)**.
 3. Place blocks or jack stands under the front bumper to support it during mounting bolt removal. Once the bumper has been safely supported, remove the (4) factory bumper bolts, **(Figure 3)**.
WARNING! Assistance is required to hold the bumper in place during bolt removal to prevent the bumper from falling. Carefully slide the bumper off over the tow hooks. Remove the driver side tow hook from the end of the frame, **(Figure 4)**. Next, remove the (4) factory hex nuts, lower frame extension and double bolt plates from the end of the frame, **(Figures 4 & 5)**. Repeat to remove the passenger side tow hook and lower frame extension.
 4. Next, select the Driver/Left Mounting Bracket. Attach the Bracket to the side of the frame using (2) 12mm x 40mm Bolt Plates, (2) 12mm Plastic Retainers, (2) 12mm Flat Washers, (2) 12mm Lock Washers and (2) 12mm Hex Nuts, **(Figure 6a)**.
 - a. Install the upper bolts onto the mounting bracket with the 3-hole spacer. Use (3) 12mm x 50mm Hex Bolts, (6) 12mm Flat washers, (3) 12mm Lock Washers, and (3) 12mm Hex nuts. **(Figure 6b)**
 5. **(Figure 6c)** shows the installed Mounting bracket with 3-hole spacer on top
 6. Do not fully tighten hardware at this time. Repeat to attach the Passenger/Right Mounting Bracket to the outside of the frame.
 7. Install LED brackets into Ambush bumper using (1) 8mm x 25mm Hex bolts, (2) 8mm Flat washers, (1) 8mm Lock washer, and (1) 8mm Hex nut **(Figure 7)**. Repeat for other side
 8. Install Mesh plate onto LED brackets using (1) 8mm x 25mm Hex bolts, (2) 8mm Flat washers, (1) 8mm Lock washer, and (1) 8mm Hex nut **(Figure 8)**. Repeat for other side
 - a. If installing LED bar, use 8mm x 16mm Hex bolt instead
 9. With assistance, position the Ambush Bumper Assembly up to the mounting brackets. Temporarily support the weight of the Bumper. **WARNING:** To avoid possible injury or damage to the vehicle, do not proceed until the bumper is fully and safely supported.
 10. Line up the (4) slots in the Ambush Bumper with the (4) slots on the Mounting bracket. Attach the Ambush Bumper to the Mounting bracket. For the upper two slots use the included (1) 12mm x 45mm Double Bolt Plate, (2) 12mm Flat Washers, (2) 12mm Lock Washers and (2) 12mm Hex Nuts. For the lower two slots use the included (2) 12mm x 50mm Hex Bolts, (4) 12mm Flat Washers, (2) 12mm Lock Washers, and (2) 12mm Hex Nuts **(Figures 9)**. Do not fully tighten hardware at this time. Repeat to attach the passenger side of the Ambush bumper to the mounting bracket.
 11. Level and adjust the bumper and fully tighten all 12mm hardware to 65-70ft-lbs.
 12. Attach the License plate bracket to the bottom of the bumper using (2) 6mm x 20mm Button head bolts, (4) 6mm Flat washers, and (2) 6mm Nylon lock nuts **(Figure 10a)**
 - a. Insert the (2) license plate plugs into the license plate bracket. Reuse factory screws to attach license plate to Plugs **(Figure 10b)**
 13. If equipped, use the zip ties to secure the block heater connector to the frame or Ambush bumper where it will be accessible
 14. Do periodic inspections to the installation to make sure that all hardware is secure and tight.
- To protect your investment**, wax this product after installing. Regular waxing is recommended to add a protective layer over the finish. Do not use any type of polish or wax that may contain abrasives that could damage the finish. Mild soap may be used to clean the Heavy Duty Front Bumper assembly.

Driver Side Installation Pictured



(Fig 1) Driver side lower frame extension and fog light wire harness pictured from behind bumper

Remove hardware attaching bumper support brackets to frame

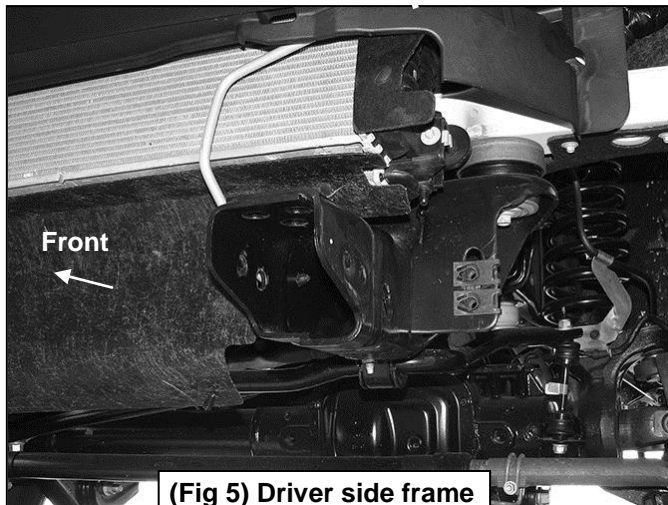


(Fig 2) Release clips attaching the wire harness for fog lights if equipped. Passenger side pictured from behind bumper

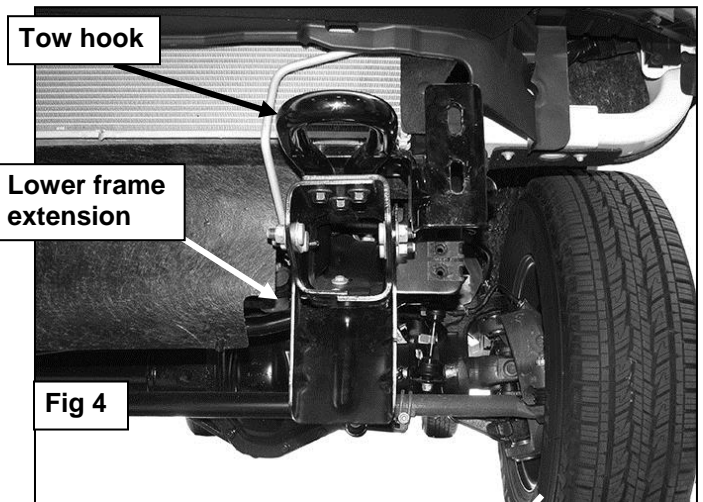


(Fig 3) Remove factory bumper bolts

WARNING! Do not remove bumper bolts unless the bumper is properly supported on blocks or stands or the bumper may fall.



(Fig 5) Driver side frame

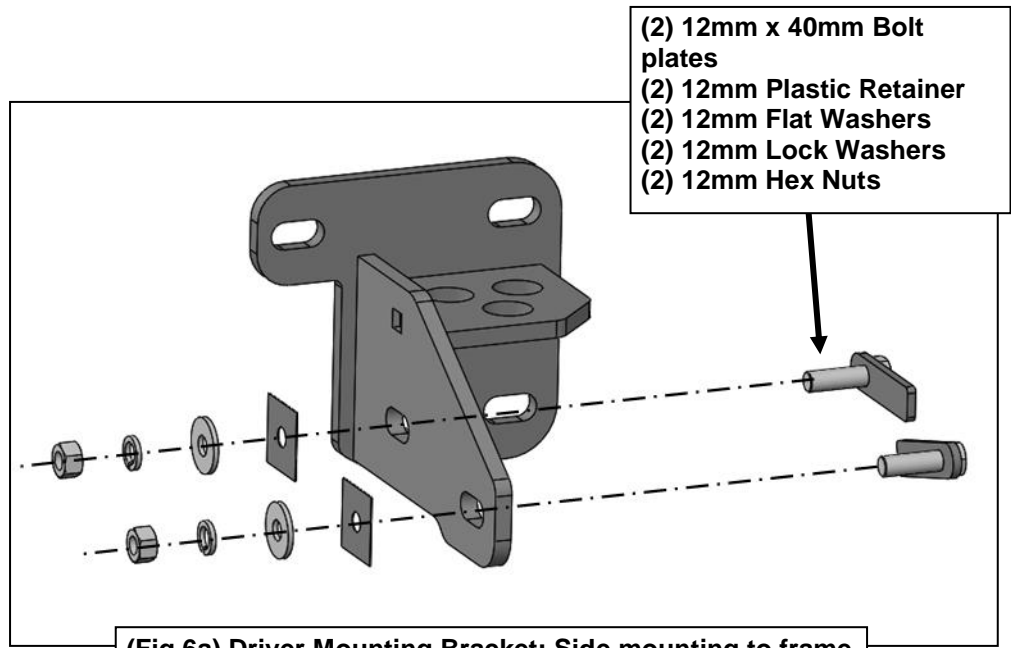


Tow hook

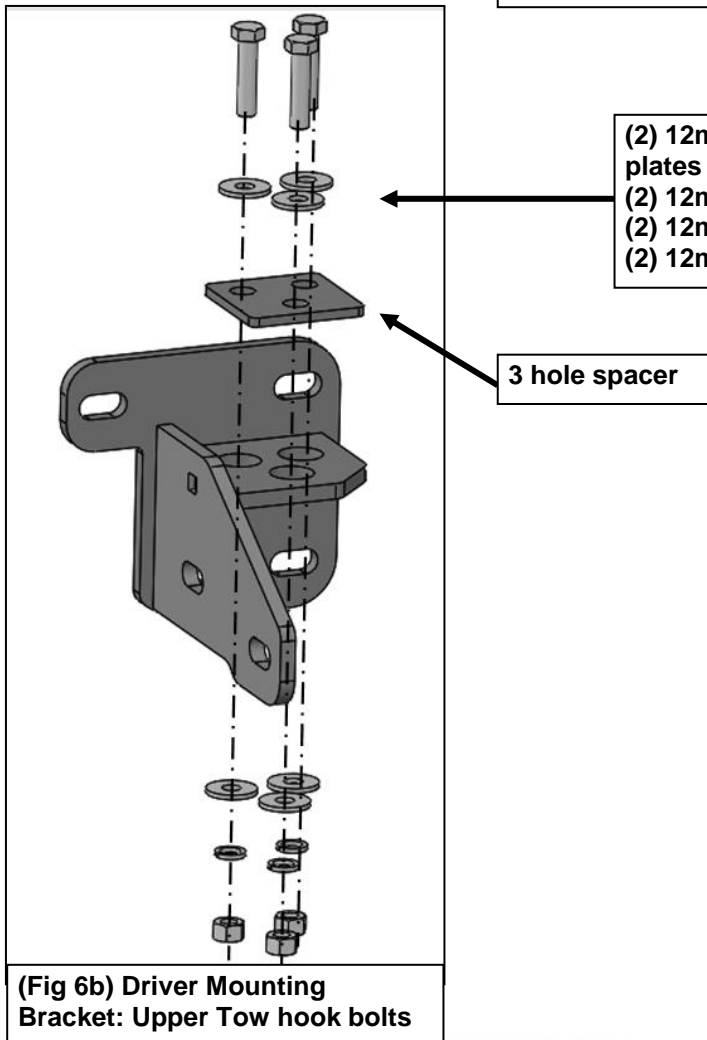
Lower frame extension

Fig 4

INSTALLATION INSTRUCTIONS



(Fig 6a) Driver Mounting Bracket: Side mounting to frame



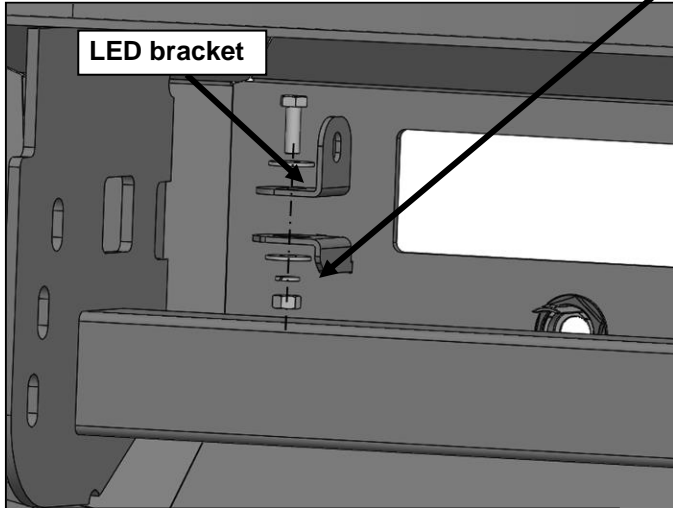
(Fig 6b) Driver Mounting Bracket: Upper Tow hook bolts



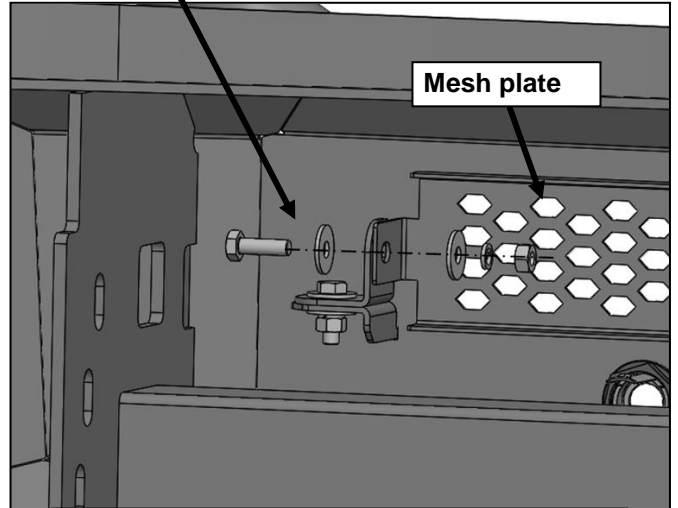
(Fig 6c) Completely installed Driver mounting bracket. Repeat for Passenger side

WARNING! Do not crawl under bumper unless the bumper is properly supported on blocks or stands or the bumper may fall.

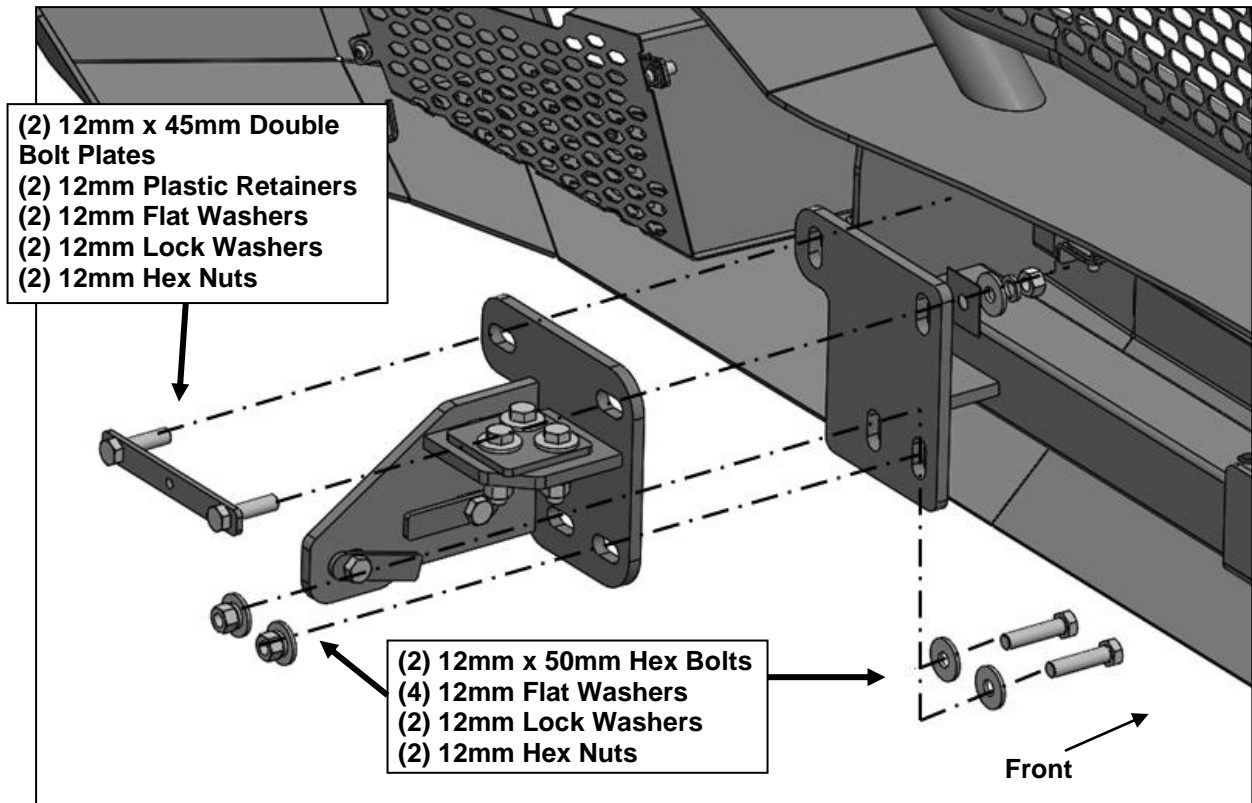
- (1) 8mm x 25mm Hex Bolt
- (2) 8mm Flat washers
- (1) 8mm Lock washers
- (1) 8mm Hex Nuts



(Fig 7) Install LED bracket into the bumper



(Fig 8) Install Mesh plate to LED bracket. If installing LED bar, please insert that using 8mm x 16mm Hex bolt

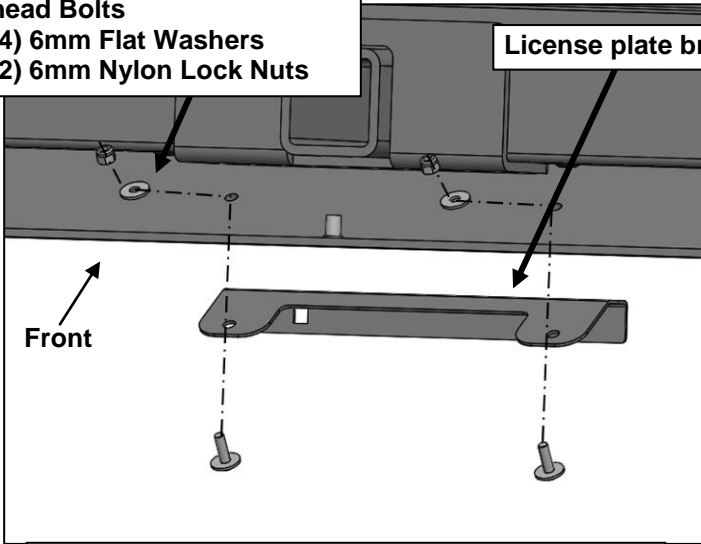


- (2) 12mm x 45mm Double Bolt Plates
- (2) 12mm Plastic Retainers
- (2) 12mm Flat Washers
- (2) 12mm Lock Washers
- (2) 12mm Hex Nuts

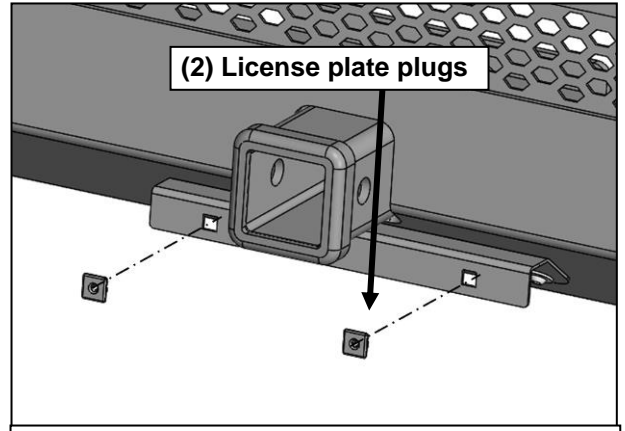
- (2) 12mm x 50mm Hex Bolts
- (4) 12mm Flat Washers
- (2) 12mm Lock Washers
- (2) 12mm Hex Nuts

(Fig 9) Attach driver side Frame Bracket to mounting plate on Bumper Assembly

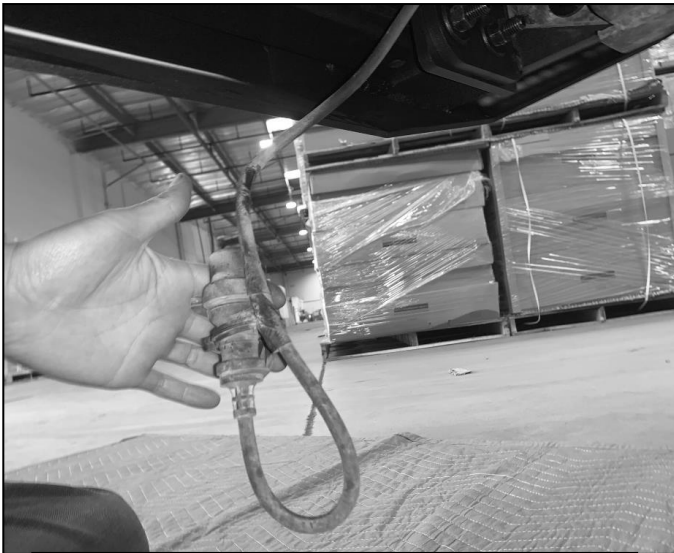
- (2) 6mm x 20mm Button head Bolts
- (4) 6mm Flat Washers
- (2) 6mm Nylon Lock Nuts



(Fig 10a) Attach license plate bracket to bumper



(Fig 10b) Insert plugs to license plate bracket



(Fig 11) Use Zip ties to secure block heater connector to frame or Ambush bumper where it will be accessible



Complete