

# **BARRICADE**

**INSTALLATION INSTRUCTIONS**  
**HD OVERLAND DROP SIDE STEP BARS**

**2015-2023 F-150 SUPERCAB**

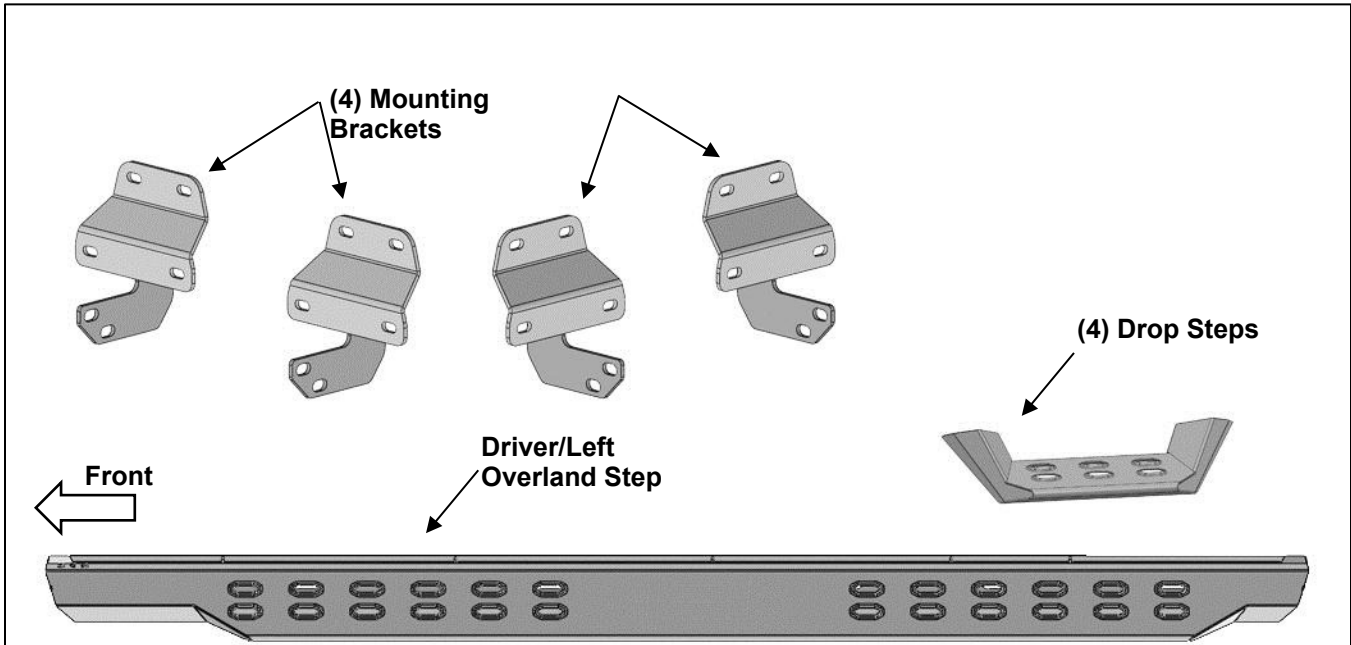
**2017-2022 F-250 / F-350 SUPERCAB**

SKU: T577032 / SD26457

HD OVERLAND DROP SIDE STEP BARS  
2015-2023 F-150 SUPERCAB / 2017-2022 F-250/F-350 SUPERCAB

**PARTS LIST:**

1	Driver/Left Tube	8	10mm Nylon Lock Nuts
1	Passenger/Right Tube	8	8mm x 25mm Triangle Double Bolt Plates
4	Drop Steps	12	8mm x 24mm OD x 2mm Flat Washers
4	Mounting Brackets	16	8mm x 22mm OD x 2mm Flat Washers
8	10mm x 30mm Hex Bolts	28	8mm Nylon Lock Nuts
16	10mm x 20mm OD x 2mm Flat Washers	12	8mm Plastic Retainers



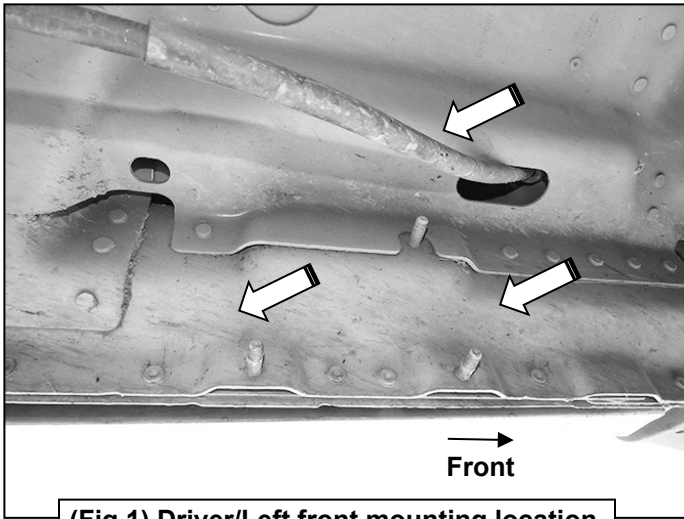
**PROCEDURE:**

**REMOVE CONTENTS FROM BOX. VERIFY ALL PARTS ARE PRESENT. READ INSTRUCTIONS CAREFULLY BEFORE STARTING INSTALLATION. ASSISTANCE IS RECOMMENDED.**

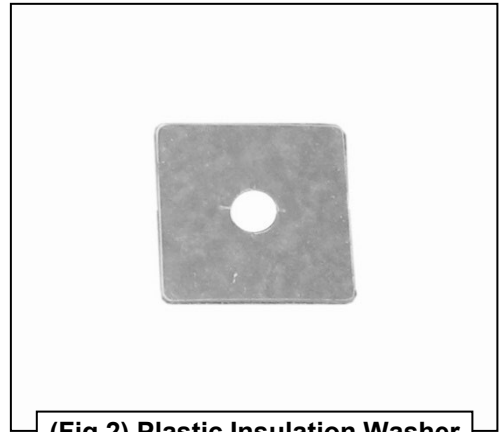
1. Start the installation under the Driver/Left side of the vehicle. Locate the front mounting location along the inner side of the body, **(Figure 1)**.
2. Slide (1) Plastic Washer over each of the (3) factory mounting studs in the body panel, **(Figures 2 & 3)**. **IMPORTANT:** The Plastic Washers are designed to prevent corrosion between the aluminum body panel and the steel mounting brackets. **Do not install the Brackets without the Plastic Washers.**
3. Select (1) Mounting Bracket. **NOTE:** All (4) Brackets are universal and will fit left or right side. Attach the Mounting Bracket to the (3) factory studs with (3) 8mm x 24mm Flat Washers and (3) 8mm Nylon Lock Nuts, **(Figure 4)**. Leave brackets loose at this time.
4. Repeat **Steps 1—3** to attach (1) Mounting Bracket to the rear location, **(Figure 5)**.
5. Select the Driver/Left Tube. Insert (2) 8mm Triangle Double Bolt Plates into the front (2) sets of (2) holes, **(Figure 6)**. Attach (1) Drop Step to the (2) Double Bolt Plates with (4) 8mm x 22mm Flat Washers and (4) 8mm Nylon Lock Nuts, **(Figure 7)**. Do not tighten hardware.
6. With assistance, line up the mounting tabs in the Driver/Left Tube to the rear faces of the Mounting Brackets. Secure the Tube to the Mounting Brackets with (4) 10mm Hex Bolts, (8) 10mm x 20mm Flat Washers and (4) 10mm Nylon Lock Nuts, **(Figure 8)**. Do not tighten hardware.
7. Level and adjust the Overland Step, then tighten all hardware.
8. Repeat **Steps 1—7** to attach the Passenger/Right Step.
9. Do periodic inspections to the installation to make sure that all hardware is secure and tight.

**To protect your investment:** Do not use any type of polish or wax that may contain abrasives that could damage the finish. Mild soap may be used to clean the Overland Steps.

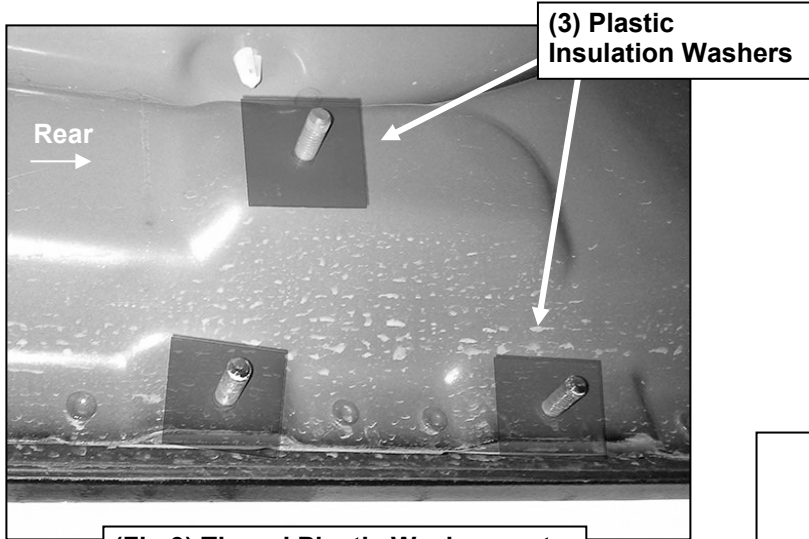
Driver/Left Side Installation Pictured



(Fig 1) Driver/Left front mounting location



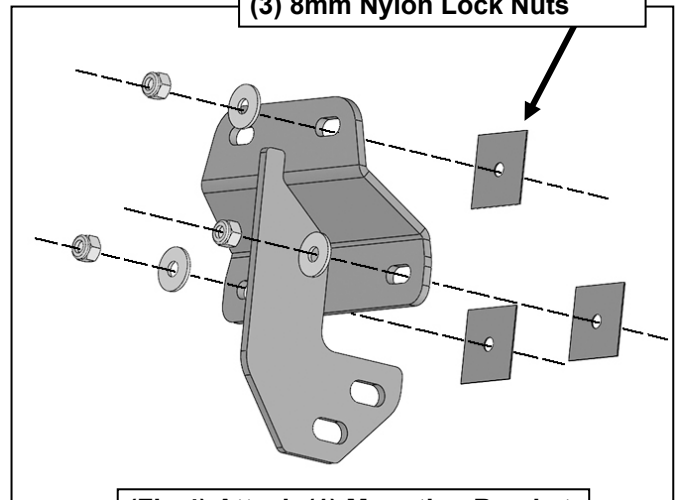
(Fig 2) Plastic Insulation Washer



(3) Plastic Insulation Washers

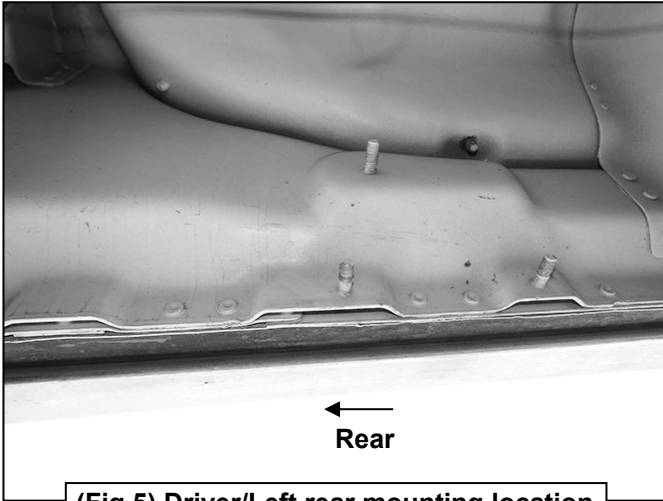
(Fig 3) Thread Plastic Washers onto all mounting studs. (Passenger side rear mounting location pictured)

- (3) 8mm Plastic Washers
- (3) 8mm x 24mm Flat Washers
- (3) 8mm Nylon Lock Nuts



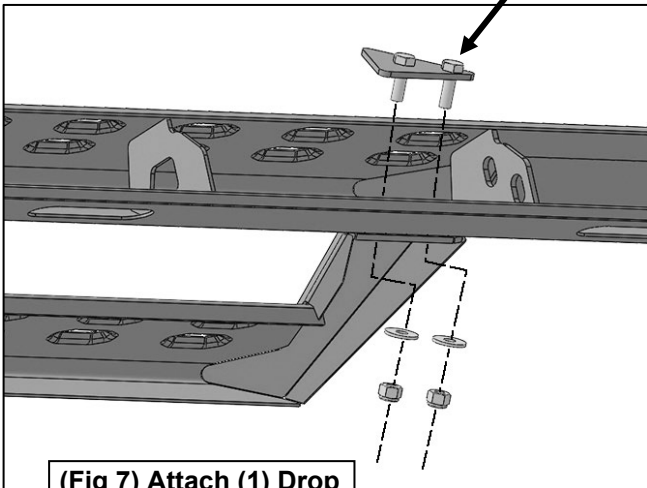
(Fig 4) Attach (1) Mounting Bracket to the front mounting location

Driver/Left Side Installation Pictured

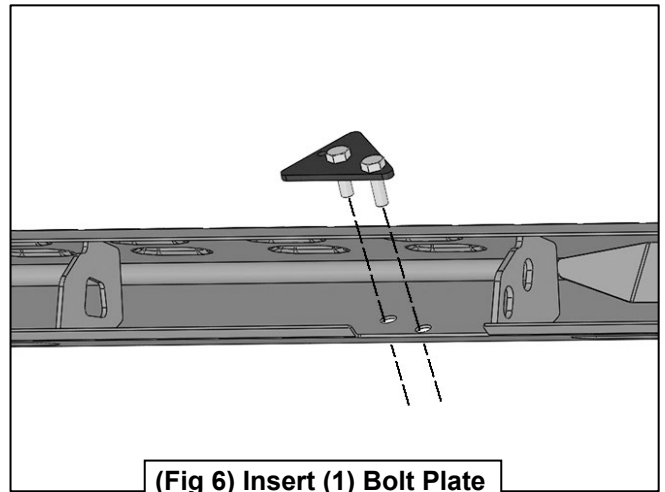


(Fig 5) Driver/Left rear mounting location

8mm Bolt Plate  
(2) 8mm x 22mm Flat Washers  
(2) 8mm Nylon Lock Nuts

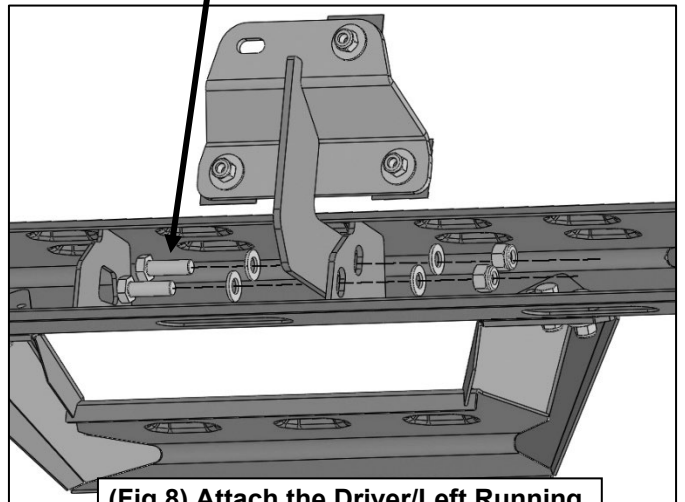


(Fig 7) Attach (1) Drop Step to (2) Bolt Plates



(Fig 6) Insert (1) Bolt Plate into the holes in the Tube

(2) 10mm Hex Bolts  
(4) 10mm Flat Washers  
(2) 10mm Nylon Lock Nuts



(Fig 8) Attach the Driver/Left Running Board to the Mounting Brackets