



P/N: F354-C

INSTRUCTIONS PACKET

2017 - 2025 FORD

Max: 176 - Inch Maximum Wheelbase

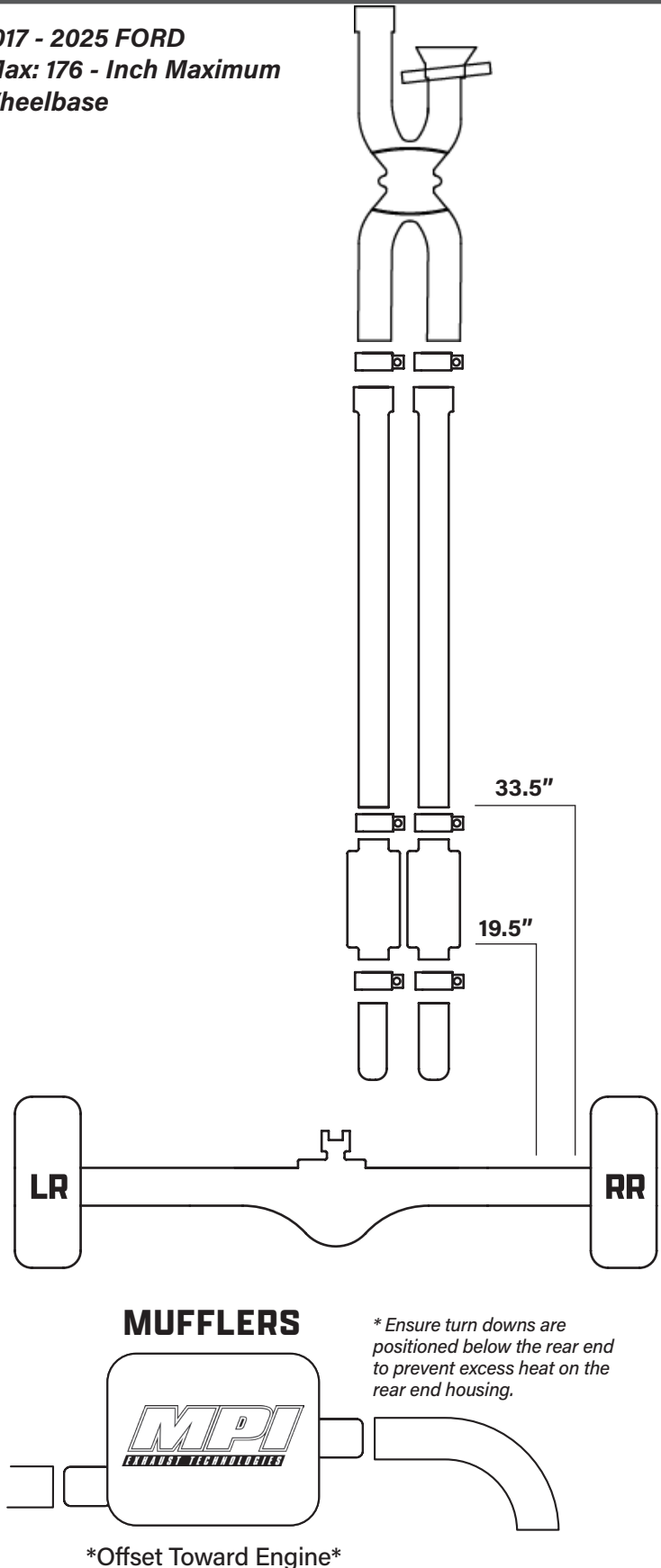
F3-4



INSTRUCTION SHEET

1. Remove the factory system by Unbolting the Joint in front the 2-1 resonator. Unbolting of hanger mount is required for factory removal
2. Anti-seize surfaces of Ball with Flange, use the new bolts provided for re-installation. Leave Bottom Clamp in place for PC-22. Leave snug till step 5.
3. Install the right-side head pipe, then trim it to the wheelbase (view diagram). Snug the clamps as you go, but don't finally tighten them yet.
4. Install the muffler assembly, ensuring that the rear muffler measurement is correct to ensure proper tailpipe placement with the offset toward the front.
5. Install the head pipe hanger and finally tighten all clamps to this point.
6. Install the rear hanger behind the mufflers.
7. When bullnose are installed, ensure proper rear end clearance.
8. Clean fingerprints off tips with glass cleaner and clean pipes with brake cleaner.

2017 - 2025 FORD
 Max: 176 - Inch Maximum
 Wheelbase

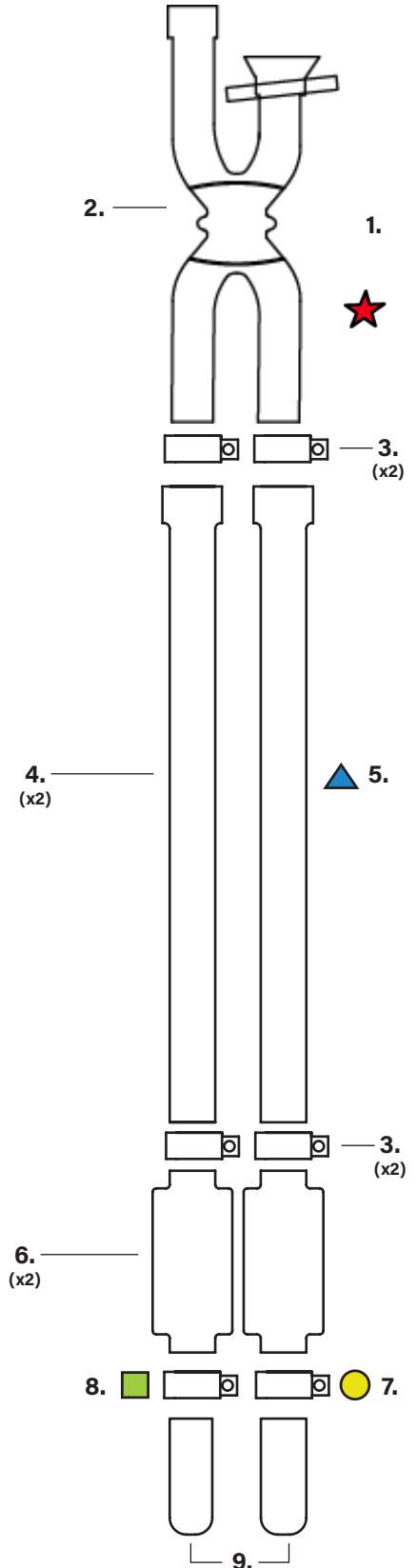


PARTS DIAGRAM

2017 - 2025 FORD
 Max: 176 - Inch Maximum
 Wheelbase

ITEM	QTY	PART NO.	DESCRIPTIONS
1.	1	Hanger - 143	PC- hanger ★
2.	1	MPI - PC22	Pulse Chamber
3.	4	MPI - SC250	2.5" Clamp - Std.
4.	2	MPI - 56	Head Pipes
5.	1	Hanger - 26	Head Pipe ▲
6.	2	—	Mufflers
7.	1	Hanger - 27	RH Muffler Hanger ●
8.	1	Hanger - 28	LH Muffler Hanger ■
9.	2	MPI - 1	Turn Downs

MUFFLER OFFSET DIAGRAM





WARRANTY



CUSTOMER SUPPORT AND WARRANTY INFORMATION

Thank you for choosing an MPI Exhaust Technologies System and allowing MPI Exhaust to customize your ride today! Our friendly and knowledgeable staff is here to answer any questions. Enjoy the Sound of Perfection.

QUESTIONS

ONLY contact MPI Exhaust Technologies if any products are potentially missing or damaged during shipping, or if you have any questions about the products. **Call (406) 669-3286.**



INSTALLATION

Watch the tutorial YouTube videos (scan the QR code) before installing or contacting MPI Exhaust. Our knowledgeable staff have installed hundreds of these kits.



WARRANTY

For more information scan the QR code.

CONTACT

Phone: (406) 669-3286

Email: mikespipesinc@gmail.com

