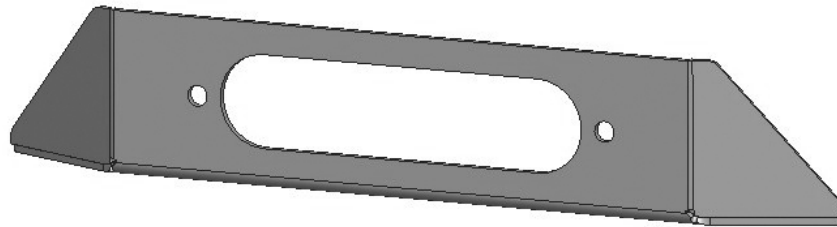


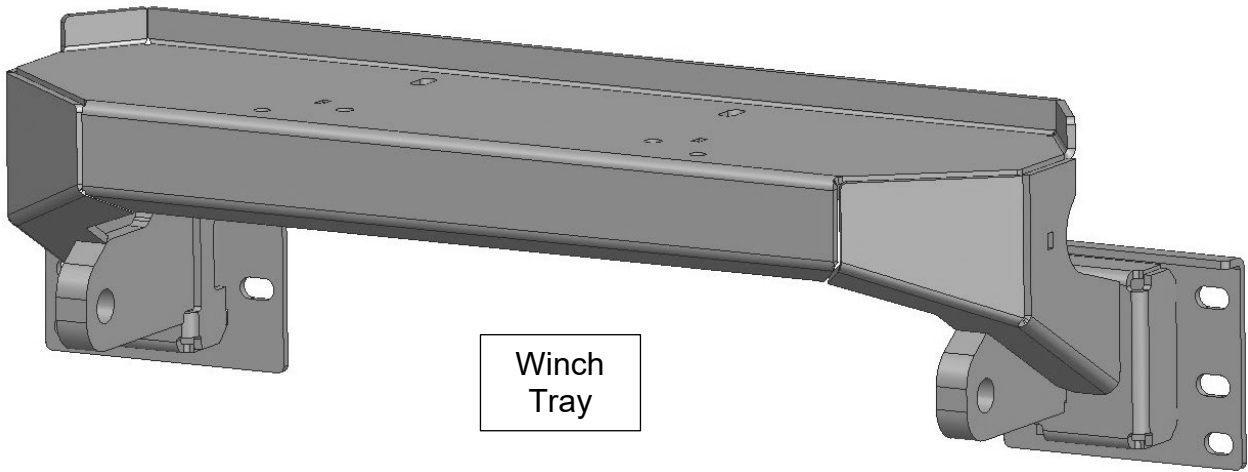
## Installation Instructions

### PARTS LIST:

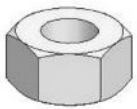
| Qty | Item Description                       | Qty | Item Description                       |
|-----|--|-----|--|
| 1   | Winch Tray                             | 2   | 10mm x 20mm x 2mm Flat Washer          |
| 1   | Fairlead Mount                         | 2   | 10mm Nylon Lock Nut                    |
| 8   | 12mm x 32mm x 3mm Flat Washer          | 2   | 8-1.25mm x 25mm Button Head Allen Bolt |
| 2   | 12mm x 24mm x 2.5mm Flat Washer        | 4   | 8mm x 24mm x 2mm Flat Washer           |
| 2   | 12mm Lock Washer                       | 2   | 8mm Lock Washer                        |
| 2   | 12mm Hex Nut                           | 2   | 8mm Hex Nut                            |
| 8   | 12mm Nylon Lock Nut                    | 1   | Allen Wrench S=5                       |
| 2   | 10-1.5mm x 25mm Button Head Allen Bolt |     |  |



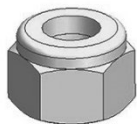
Fairlead Mount



Winch Tray



Hex Nut



Nylon Lock Nut



Lock Washer



Flat Washer



Hex Bolt



Button Head Allen Bolt

## TOOLS REQUIRED



**Ratchet**



**13, 18, & 19mm  
Socket**



**Extensions**



**Allen  
Wrench**



**Wrench**

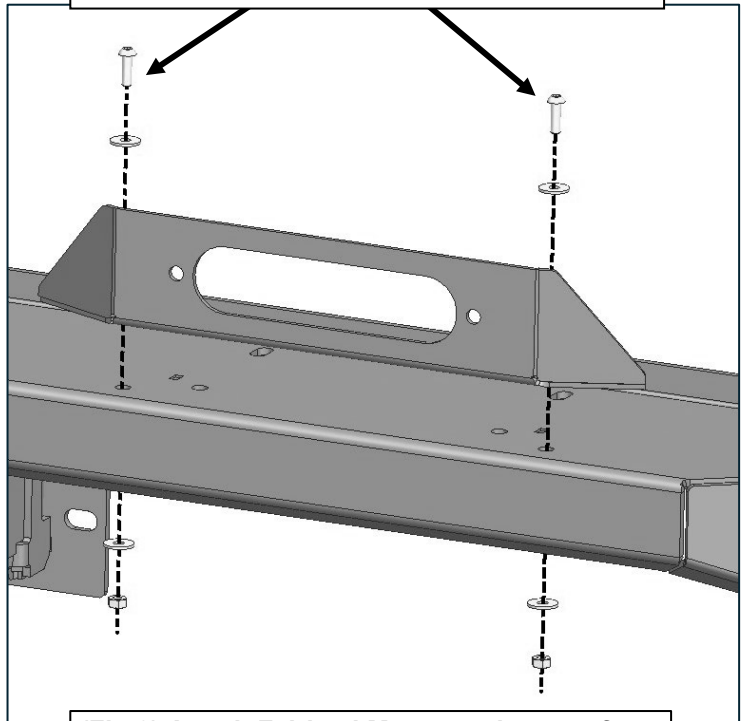
**1**

Follow (Fig 1 – 6) to attach HD Winch Tray to LD Bumper. Ensure Winch Tray is level before tightening fasteners. (Refer to HD4 Tubular LD Front Bumper Installation Instructions, continue from Fig 44)

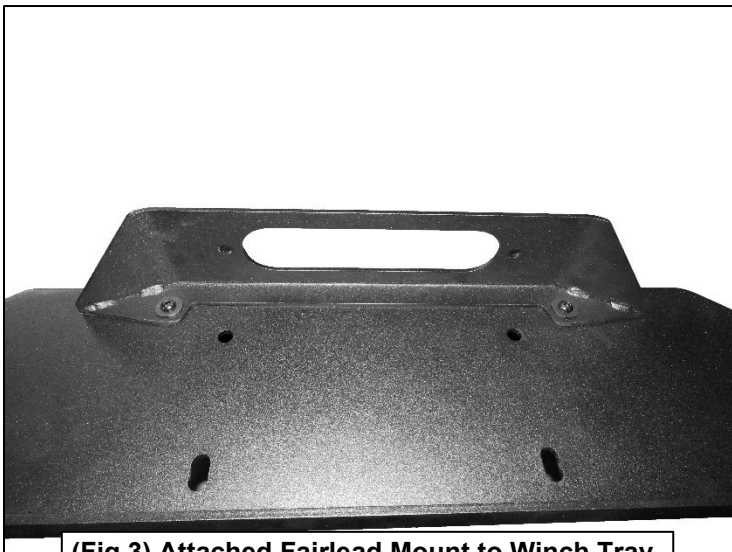


**(Fig 1) Locate mounting holes on Winch Tray.**

**(2) 8-1.25mm x 25mm Button Head Allen Bolt  
(4) 8mm x 24mm x 2mm Flat Washer  
(2) 8mm Hex Nut**

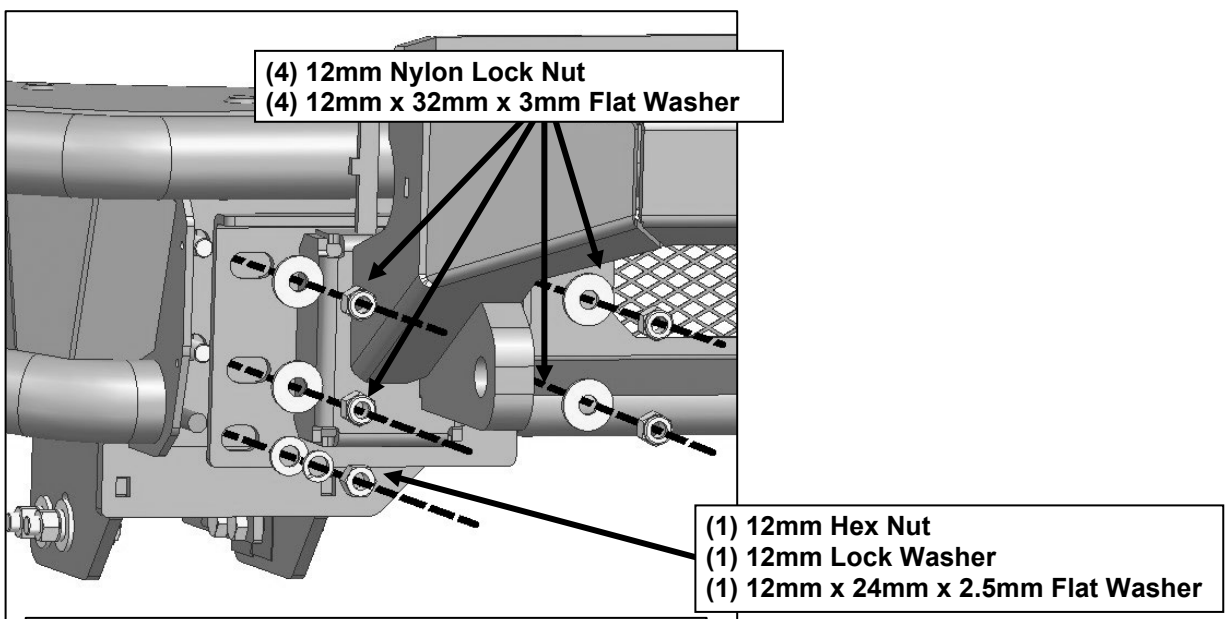


**(Fig 2) Attach Fairlead Mount to the top of Winch Tray with indicated hardware.**



**(Fig 3) Attached Fairlead Mount to Winch Tray.**

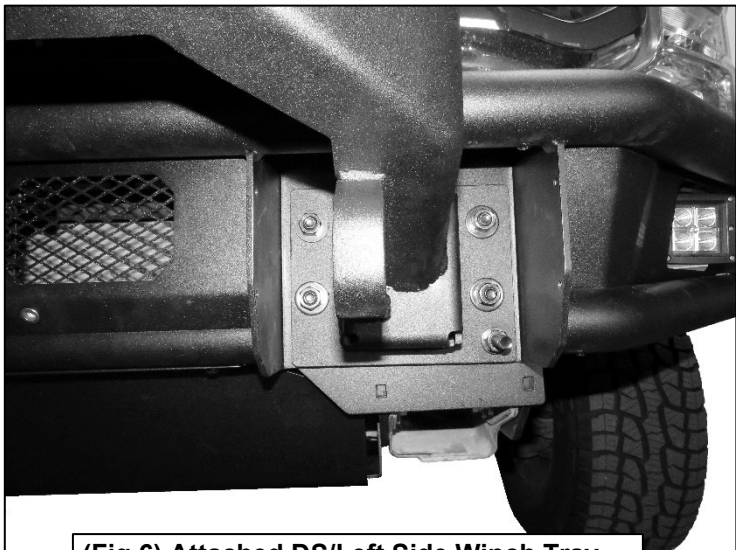
**WARNING!** Winch must be installed on winch tray before installation onto bumper.  
**Note:** Winch not included



**(Fig 4) Attach PS/Right Side Winch Tray and DS/Left Winch Tray to the double bolt plates and threaded studs on bumper with indicated hardware.**



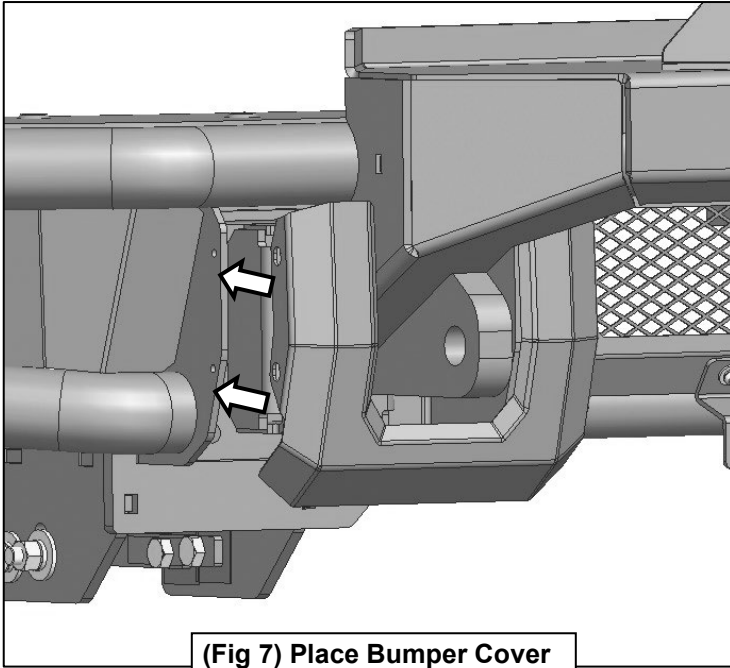
**(Fig 5) Attached PS/Right Side Winch Tray.**



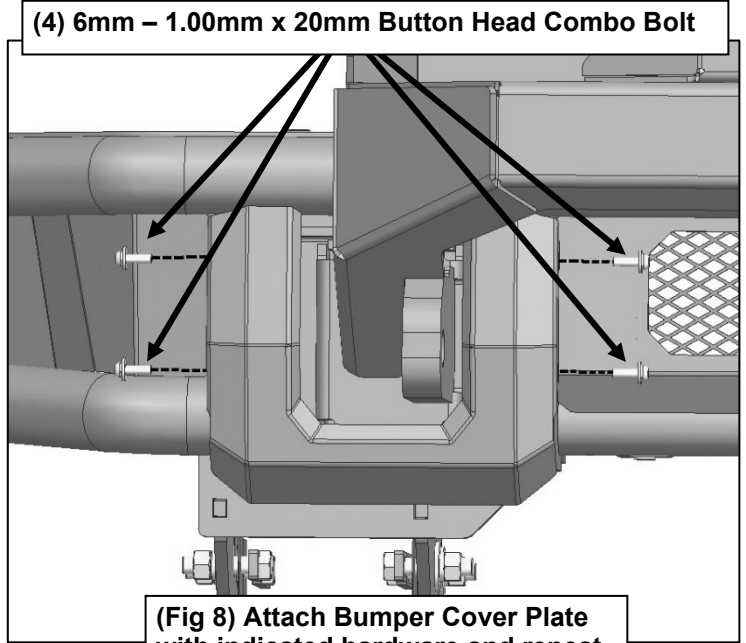
**(Fig 6) Attached DS/Left Side Winch Tray.**

2

Follow (Fig 7 – 10) to attach Bumper Cover Plates to LD Front Bumper. Ensure hardware from previous steps are tight at this point. After (Fig 10) refer to HD4 Tubular LD Front Bumper Installation Instructions, continue from Fig 50 to finish installation)



(Fig 7) Place Bumper Cover Plate over mounting holes.



(4) 6mm – 1.00mm x 20mm Button Head Combo Bolt

(Fig 8) Attach Bumper Cover Plate with indicated hardware and repeat for DS/Left Side.



(Fig 9) Attached Bumper Cover Plate on PS/Right Side.  
**Note:** Lights not included



(Fig 10) Attached Bumper Cover Plate on DS/Left Side.  
**Note:** Lights not included

**3**

Ensure HD Winch Tray is level, and all fasteners are tightened at this point, then ensure all connections are secure. Installation is complete. Do periodic inspections to the installation to make sure that all hardware is secure and tight.



**Complete Installation (Winch, Skid Plate and Lights not included)**