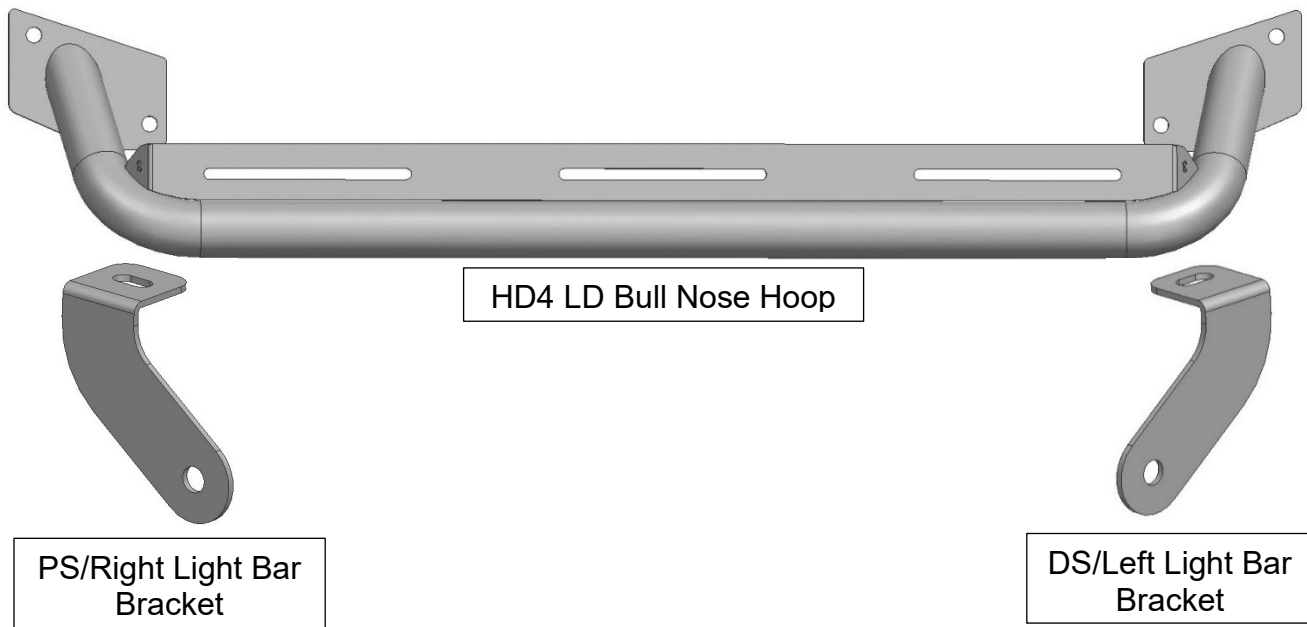
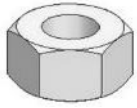


Installation Instructions

PARTS LIST:

| Qty | Item Description | Qty | Item Description |
|-----|--|-----|-------------------------------|
| 1 | HD4 Skid Plate | 2 | 8-1.25mm x 16mm Hex Bolt |
| 1 | HD4 LD Bull Nose Hoop | 3 | 10mm x 27mm x 3mm Flat Washer |
| 1 | DS/Left Mounting Bracket | 14 | 8mm x 24mm x 2mm Flat Washer |
| 1 | PS/Right Mounting Bracket | 8 | 8mm x 22mm x 2mm Flat Washer |
| 1 | DS/Left Light Bar Bracket | 3 | 10mm Lock Washer |
| 1 | PS/Right Light Bar Bracket | 12 | 8mm Lock Washer |
| 3 | 10-1.5mm x 20mm Button Head Allen Bolt | 10 | 8mm Hex Nut |
| 4 | 8-1.25mm x 25mm Button Head Allen Bolt | 1 | 5mm Allen Wrench |
| 4 | 8-1.25mm x 20mm Button Head Allen Bolt | 1 | 6mm Allen Wrench |
| 2 | 8-1.25mm x 25mm Hex Bolt | | |





Hex Nut



Lock Washer



Flat Washer



Hex Bolt



Button Head Allen Bolt



Button Head Combo Bolt

TOOLS REQUIRED



Ratchet



13, 18, & 19mm Socket



Extensions



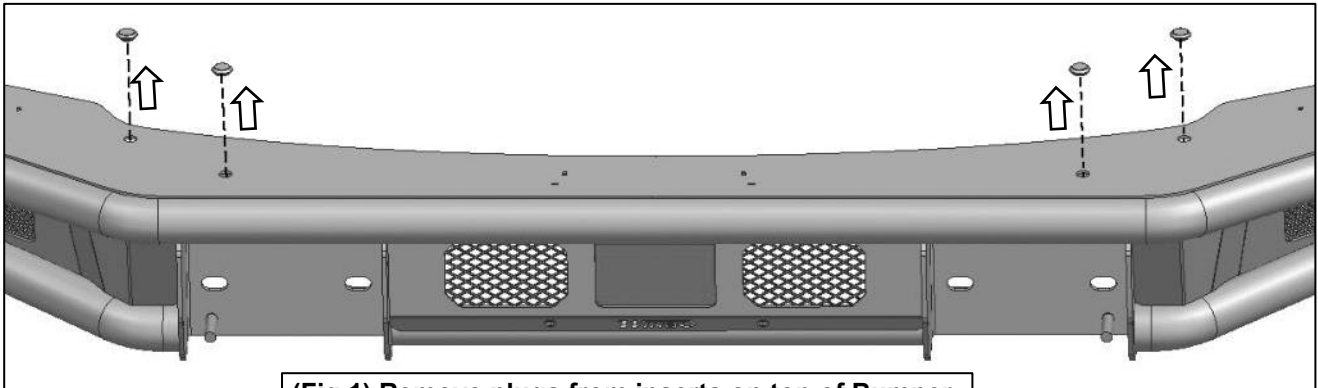
Allen Wrench



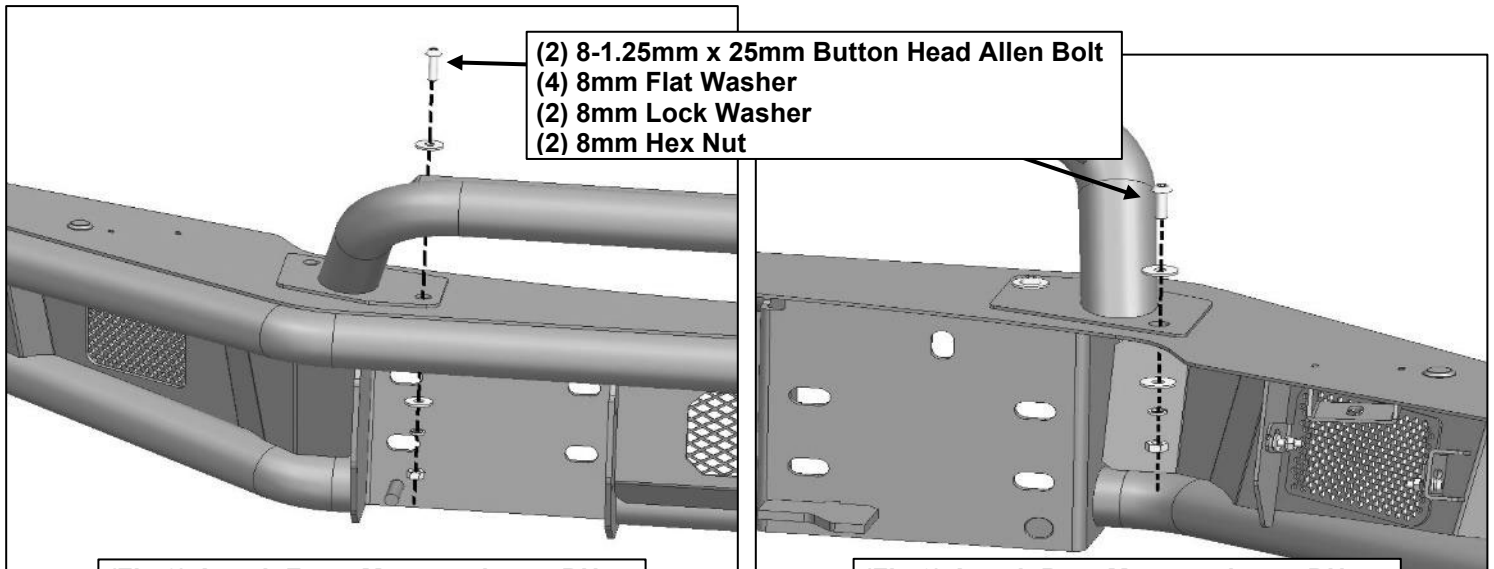
Wrench

1

Follow (Fig 1 – 7) to attach LD BN Hoop to LD Bumper, then attach LED Brackets and LED Light as necessary. Ensure BN Hoop is level before tightening fasteners. (Refer to HD4 Tubular LD Front Bumper Installation Instructions, continue from Fig 30A)



(Fig 1) Remove plugs from inserts on top of Bumper

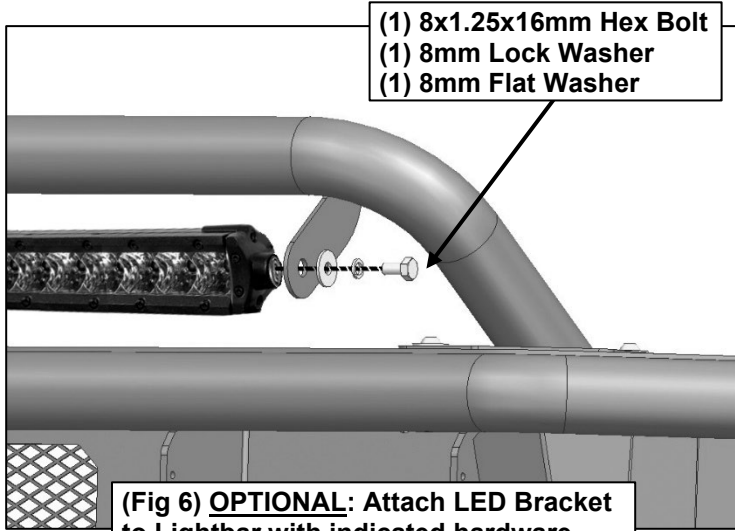


(Fig 2) Attach Front Mount point on BN Hoop to Bumper with indicated hardware.

(Fig 3) Attach Rear Mount point on BN Hoop to Bumper with indicated hardware and repeat on DS of BN Loop.

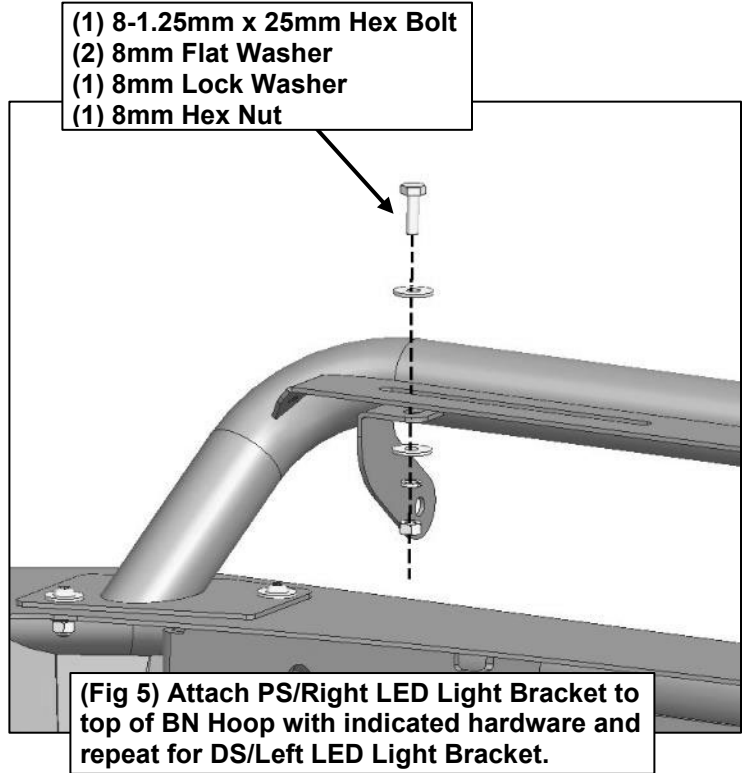


(Fig 4) Attached BN Hoop to Bumper



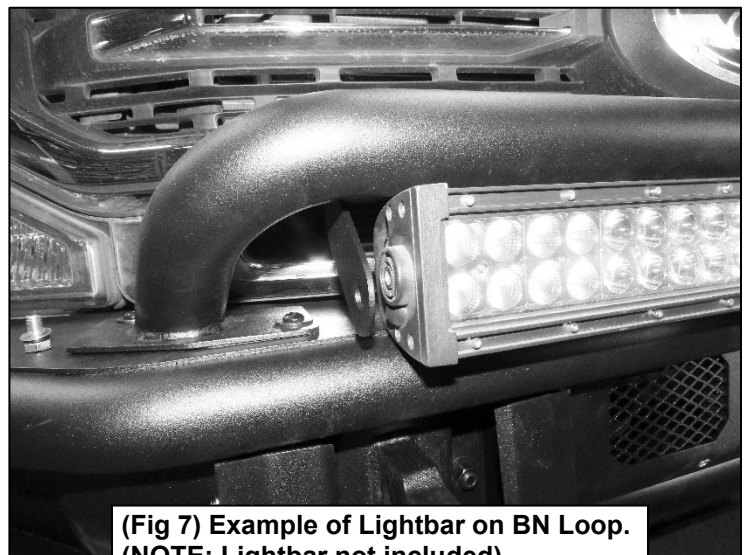
- (1) 8x1.25x16mm Hex Bolt
- (1) 8mm Lock Washer
- (1) 8mm Flat Washer

(Fig 6) **OPTIONAL:** Attach LED Bracket to Lightbar with indicated hardware. (NOTE: Lightbar not included)



- (1) 8-1.25mm x 25mm Hex Bolt
- (2) 8mm Flat Washer
- (1) 8mm Lock Washer
- (1) 8mm Hex Nut

(Fig 5) Attach PS/Right LED Light Bracket to top of BN Hoop with indicated hardware and repeat for DS/Left LED Light Bracket.



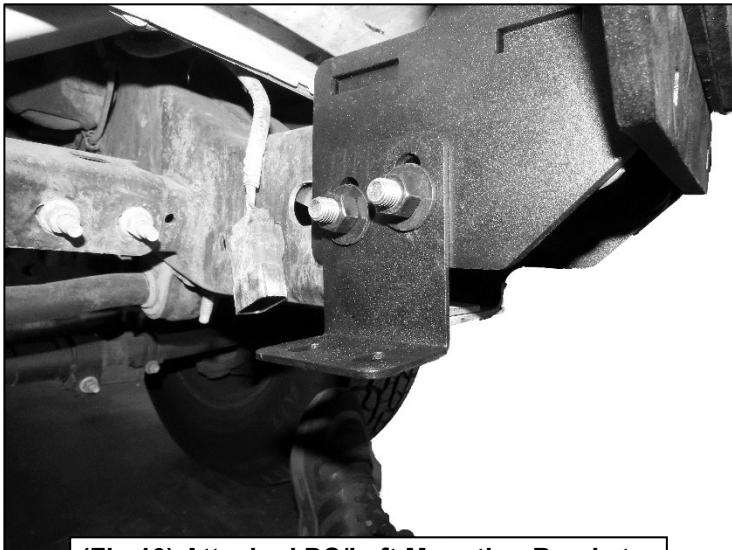
(Fig 7) Example of Lightbar on BN Loop. (NOTE: Lightbar not included)

2

Follow (Fig 8 – 17) to attach Skid Plate onto LD Front Bumper. Ensure hardware from previous steps are tight at this point. (Refer to HD4 Tubular LD Front Bumper Installation Instructions, continue from Fig 34)



(Fig 8) Ensure DS/Left Mounting Bracket is aligned to mounting points on frame.

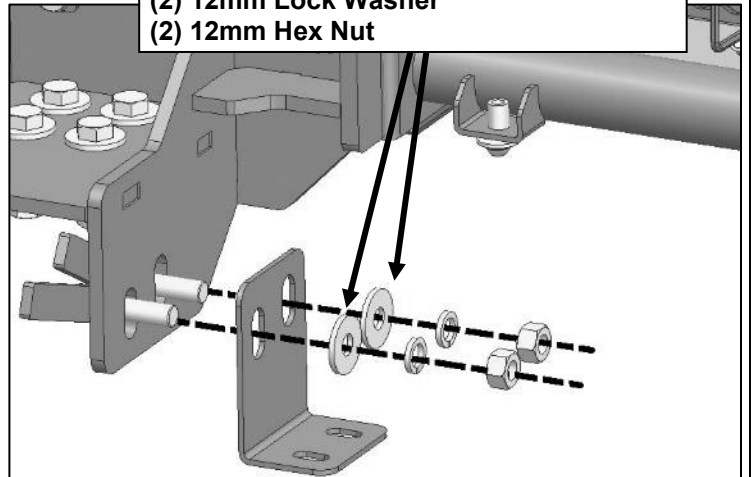


(Fig 10) Attached DS/Left Mounting Bracket.



(Fig 12) Attached PS/Right Mounting Bracket.

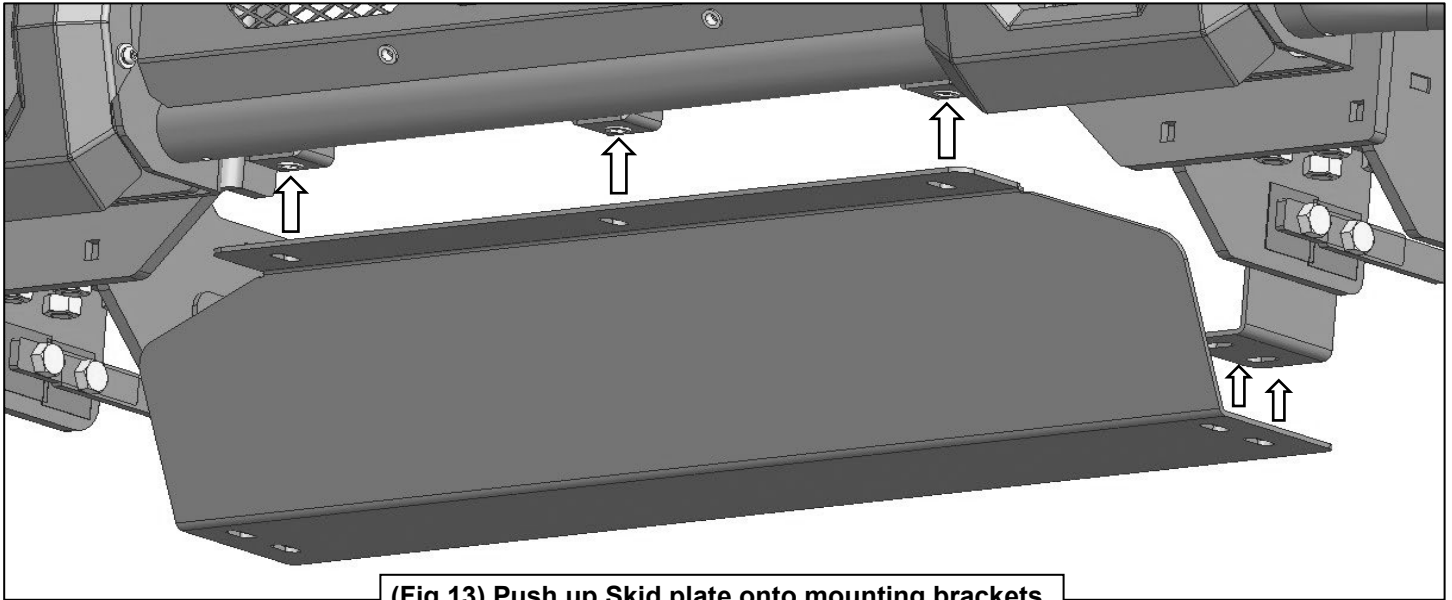
- (2) 12 – 1.75mm x 50mm Single Bolt Plate
- (2) 12mm x 32mm x 3mm Flat Washer
- (2) 12mm Lock Washer
- (2) 12mm Hex Nut



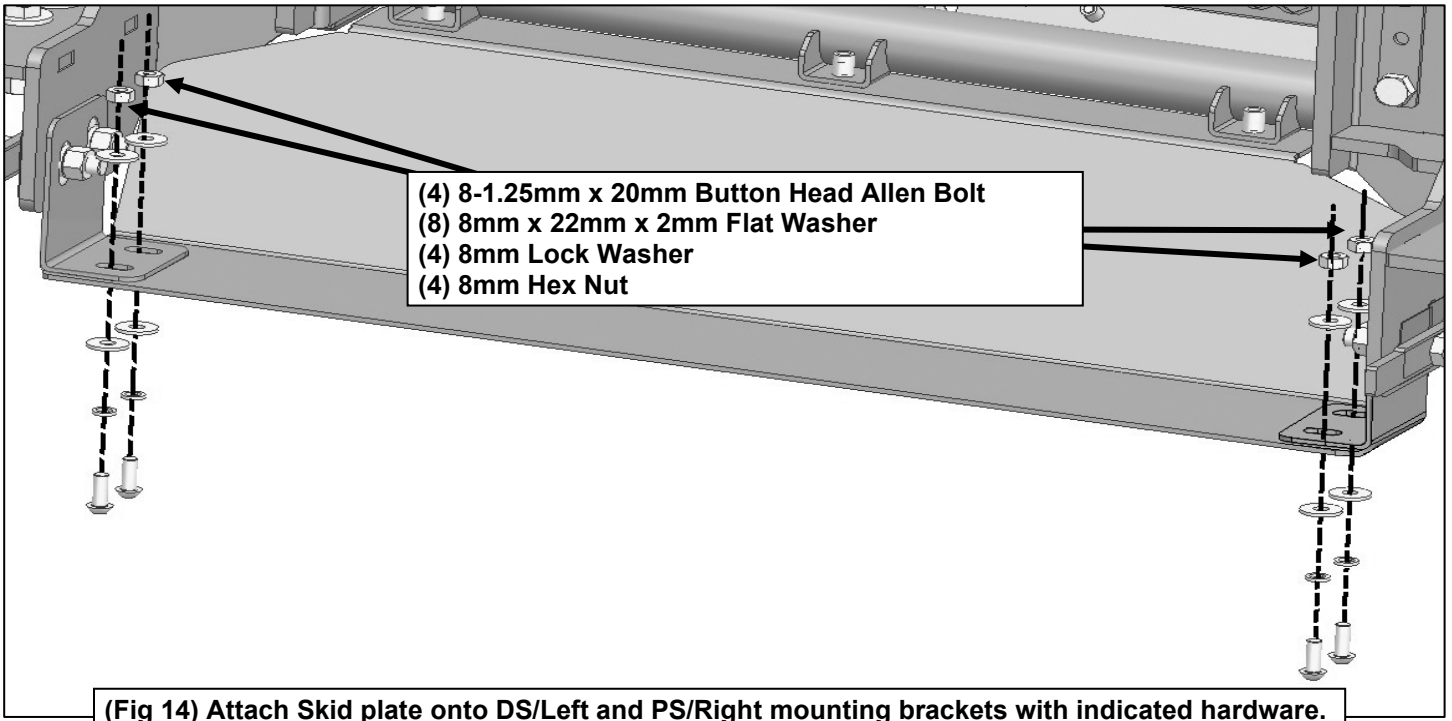
(Fig 9) Attach DS/Left Mounting Bracket with indicated hardware.



(Fig 11) Ensure PS/Right Mounting Bracket is aligned to mounting points on frame and attach PS/Right Mounting Bracket.



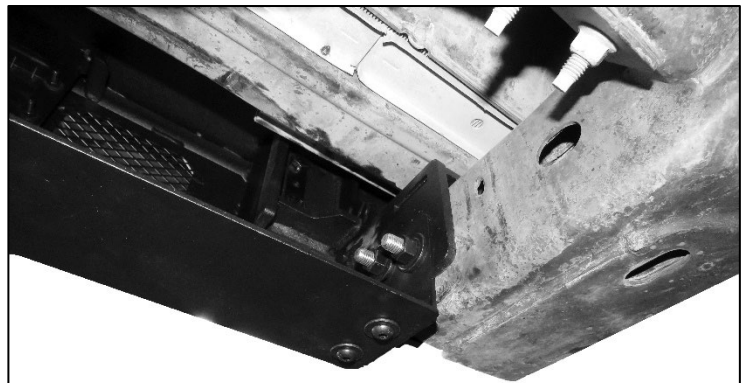
(Fig 13) Push up Skid plate onto mounting brackets.



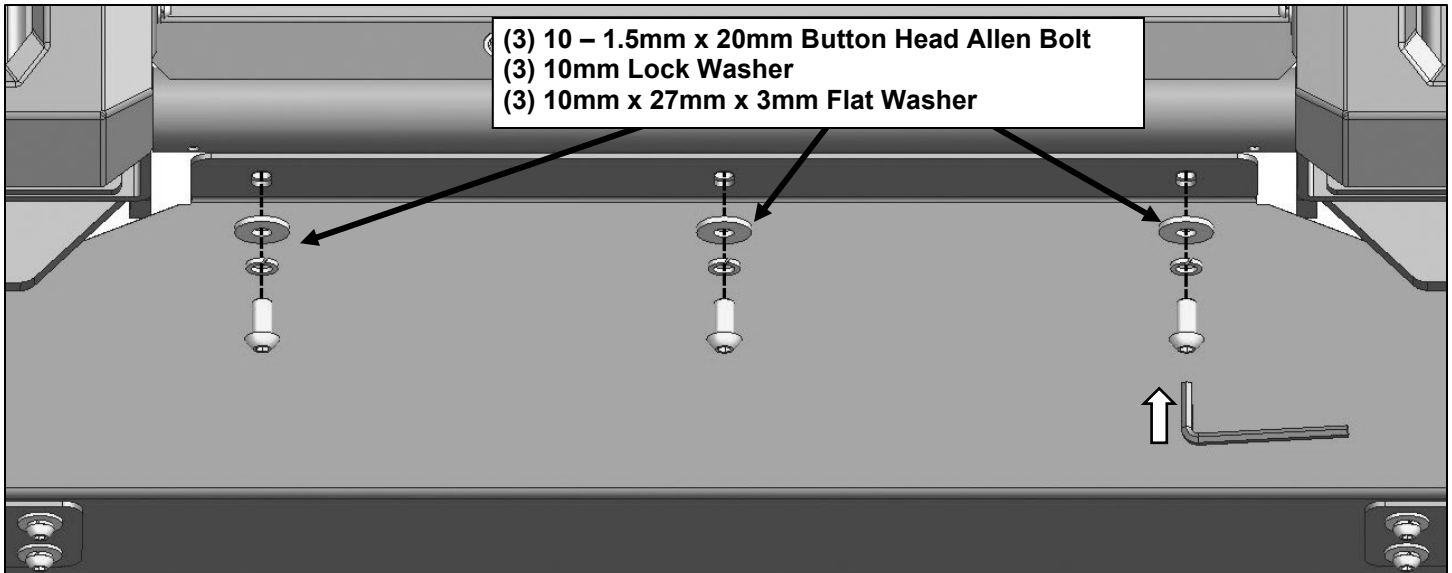
(Fig 14) Attach Skid plate onto DS/Left and PS/Right mounting brackets with indicated hardware.



(Fig 15) Attached DS/Left Mounting Bracket to Skid plate.



(Fig 16) Attached PS/Right Mounting Bracket to Skid plate.



(Fig 17) Attach remaining hardware to inserts on LD Front Bumper with indicated hardware.

3

Ensure LD BN Loop and Skid Plate is level, and all fasteners are tightened at this point, then ensure all connections are secure. Installation is complete. Do periodic inspections to the installation to make sure that all hardware is secure and tight.



Complete Installation (Light not included)