

# BARRICADE

## Installation Instructions

### PARTS LIST:

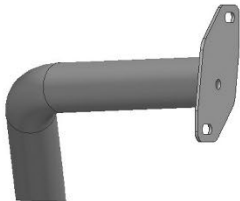
Qty	Item Description	Qty	Item Description
1	HD4 Push Bar	2	12mm Hex Nuts
1	DS/Left Wing Guard Tube	8	12mm Nylon Lock Nuts
1	PS/Right Wing Guard Tube	4	8 – 1.25mm x 25mm Button Head Allen Bolts
1	DS/Left Offset Shackle Mount	4	8 – 1.25mm x 25mm Hex Bolts
1	PS/Right Offset Shackle Mount	2	8 – 1.25mm x 16 Hex Bolts
1	PS/Right LED Light Bar Bracket	12	8mm x 24mm x 2mm Flat Washers
1	DS/Left LED Light Bar Bracket	4	8mm x 16mm x 1.6mm Flat Washers
1	License Plate Bracket	10	8mm Lock Washers
2	License Plate Plastic Plug	6	8mm Hex Nuts
8	12mm x 32mm x 3mm Flat Washers	2	6 – 1.00mm x 20mm Button Head Allen Bolts
2	12mm x 24mm x 2.5mm Flat Washers	1	4mm Allen Wrench
2	12mm Lock Washers		



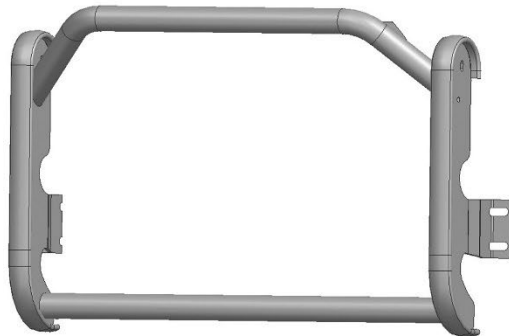
DS/Left LED  
Light Bar Bracket



PS/Right LED  
Light Bar Bracket



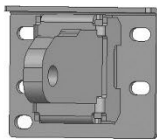
PS/Right Wing  
Guard Tube



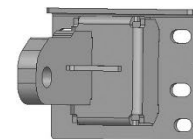
HD4 Push  
Bar



DS/Left Wing  
Guard Tube



PS/Right Offset  
Shackle Mount



DS/Left Offset  
Shackle Mount

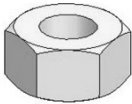


License Plate  
Plastic Plug

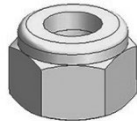


License Plate  
Bracket

**Front Push Bar – SKU # SD72999  
2017 – 2022 F-250/F-350 Super Duty**



Hex Nut



Nylon Lock Nut



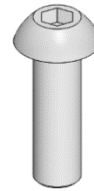
Lock Washer



Flat Washer



Hex Bolt



Button Head Allen Bolt

**TOOLS REQUIRED**



Ratchet



13, 18, & 19mm Socket



Extensions



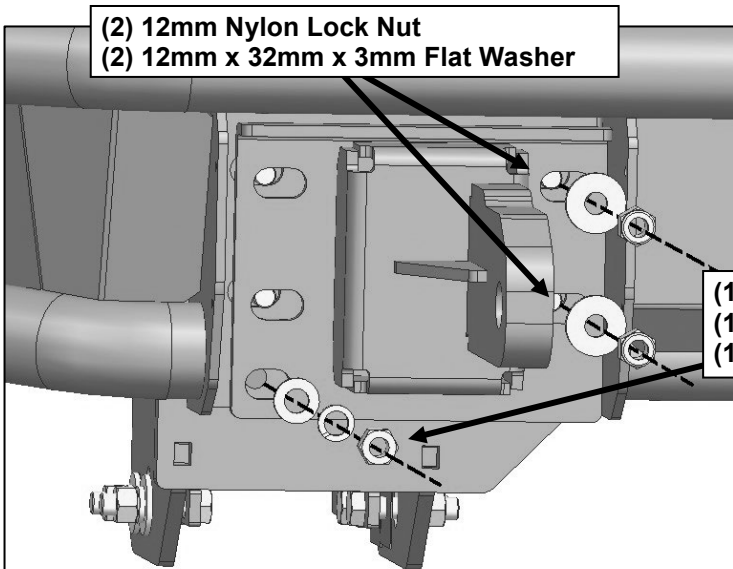
Allen Wrench



Wrench

**1**

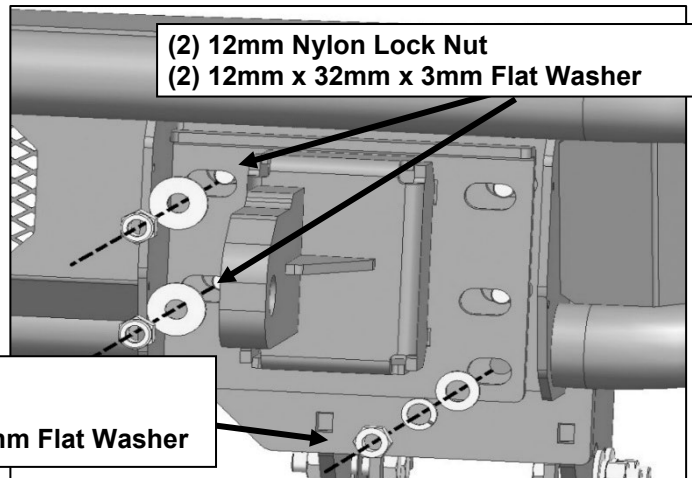
Follow (Fig 1 – 15) to attach LD Push Bar and connect Wing Guard Tube to LD Bumper, then attach LED Brackets and LED Light as necessary. Ensure LD Push Bar is level before tightening fasteners. (Refer to HD4 Tubular LD Front Bumper Installation Instructions, continue from Fig 44)



(2) 12mm Nylon Lock Nut  
(2) 12mm x 32mm x 3mm Flat Washer

(1) 12mm Hex Nut  
(1) 12mm Lock Washer  
(1) 12mm x 24mm x 2.5mm Flat Washer

**(Fig 1) Attach PS/Right Offset Shackle Mount to the double bolt plate and threaded stud on bumper with the indicated hardware.**

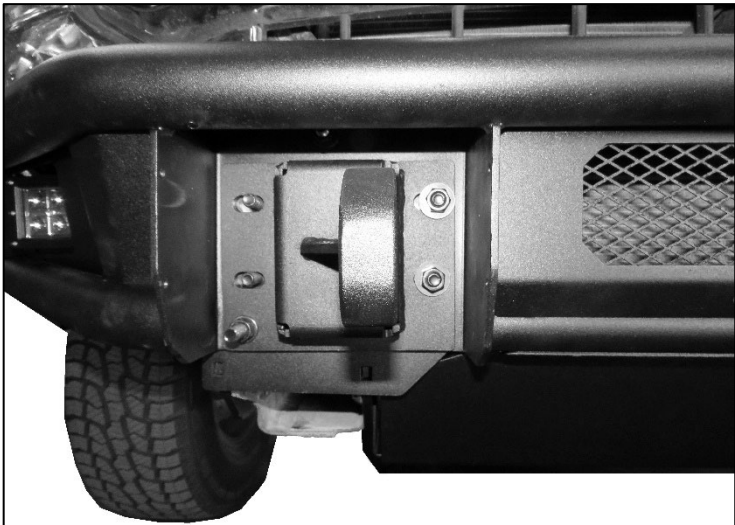


(2) 12mm Nylon Lock Nut  
(2) 12mm x 32mm x 3mm Flat Washer

(1) 12mm Hex Nut  
(1) 12mm Lock Washer  
(1) 12mm x 24mm x 2.5mm Flat Washer

**(Fig 2) Attach DS/Left Offset Shackle Mount to the double bolt plate and threaded stud on bumper with the indicated hardware.**

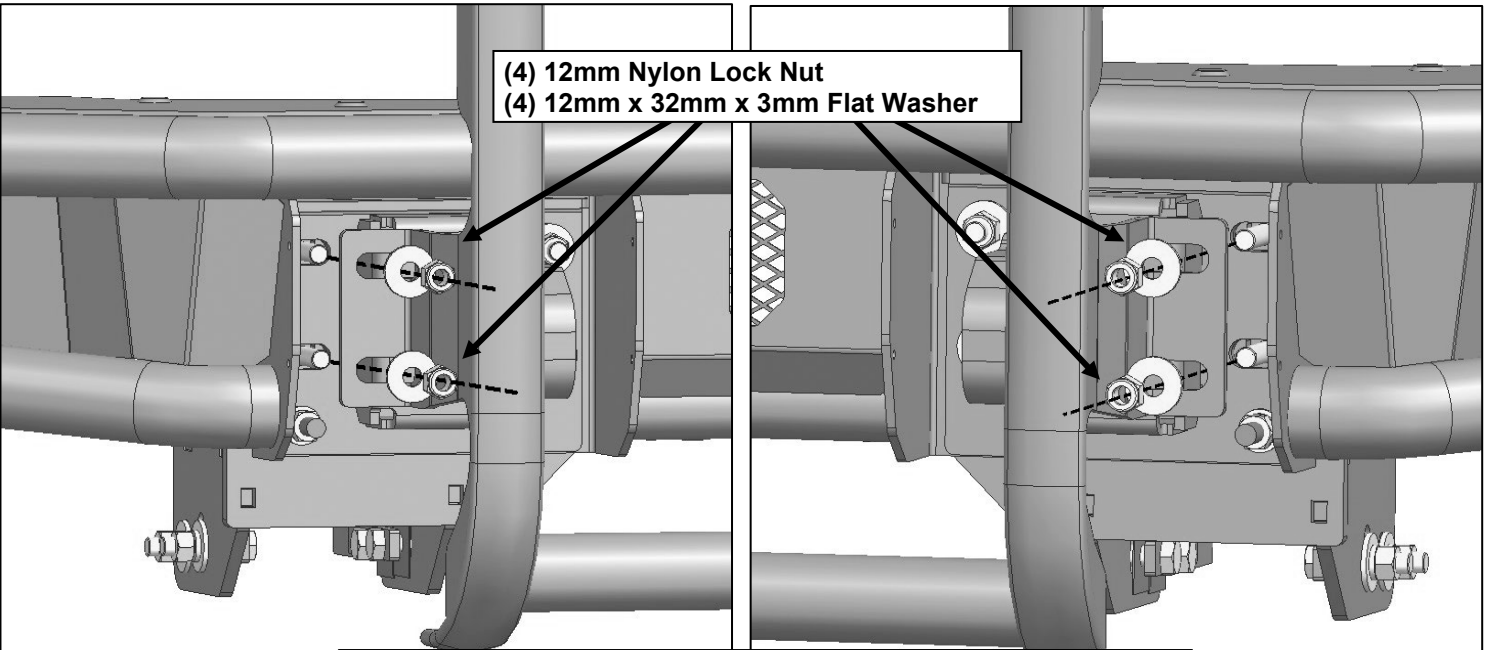
**Front Push Bar – SKU # SD72999  
2017 – 2022 F-250/F-350 Super Duty**



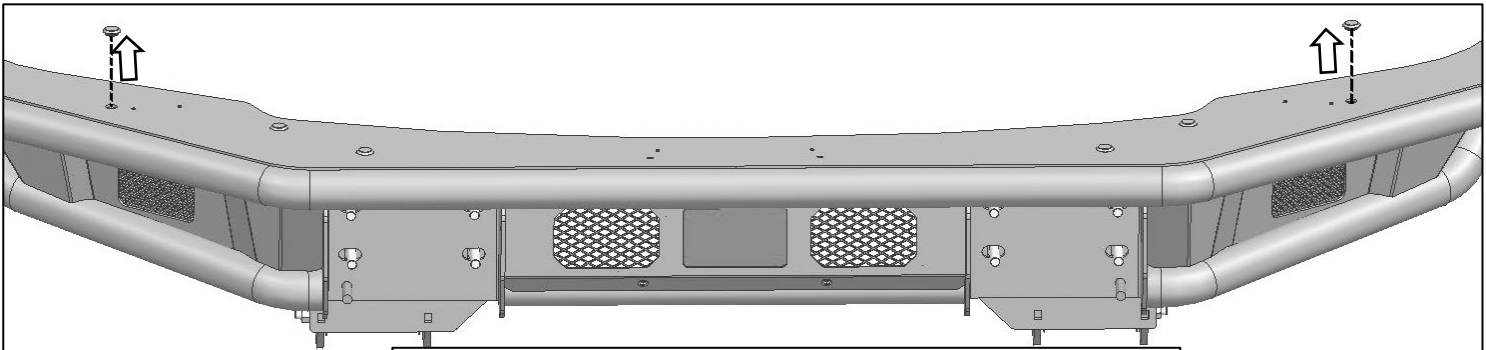
**(Fig 3) Attached PS/Right Off Shackle Mount.**



**(Fig 4) Attached DS/Left Off Shackle Mount.**



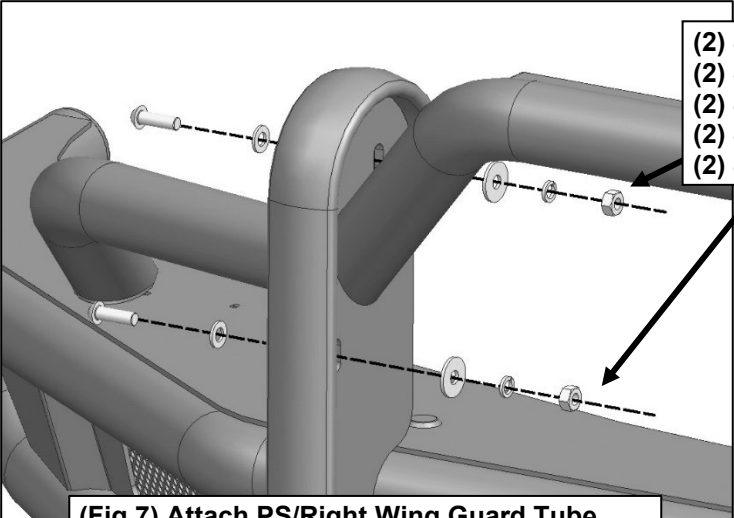
**(Fig 5) Attach HD4 Push Bar onto PS/Right and DS/Left mounting points together onto LD Front Bumper with indicated hardware.**



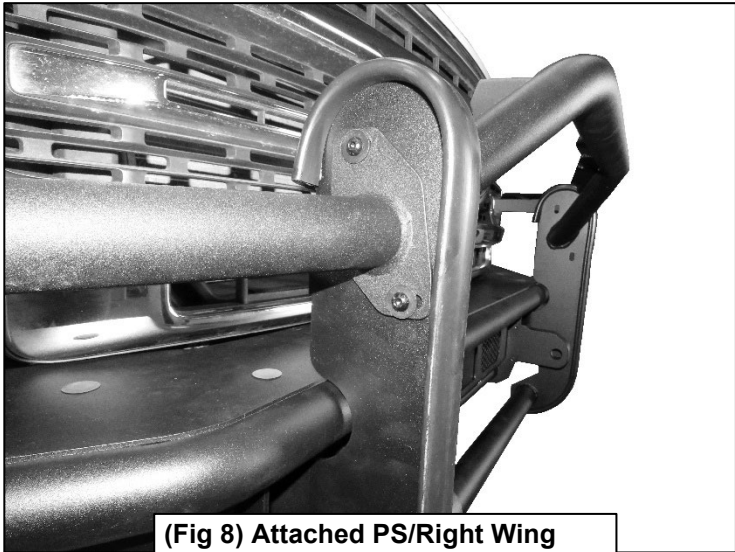
**(Fig 6) On top of Front Bumper, remove plugs from holes.**

**Front Push Bar – SKU # SD72999  
2017 – 2022 F-250/F-350 Super Duty**

- (2) 8 – 1.25mm x 25mm Button Head Allen Bolts
- (2) 8mm x 16mm x 1.6mm Flat Washers
- (2) 8mm x 24mm x 2mm Flat Washers
- (2) 8mm Lock Washer
- (2) 8mm Hex Nut



**(Fig 7) Attach PS/Right Wing Guard Tube onto HD4 Push Bar with indicated hardware.**



**(Fig 8) Attached PS/Right Wing Guard Tube onto HD4 Push Bar.**



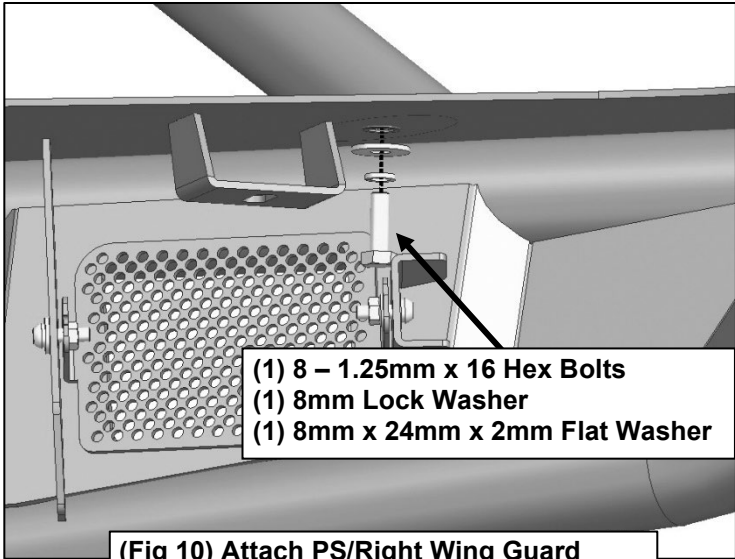
**(Fig 8A) Attached PS/Right Wing Guard Tube onto HD4 Push Bar and repeat for DS/Left Wing Guard Tube.**



**(Fig 9) Attached DS/Left Wing Guard Tube onto HD4 Push Bar.**



**(Fig 9A) Attached DS/Left Wing Guard Tube onto HD4 Push Bar.**

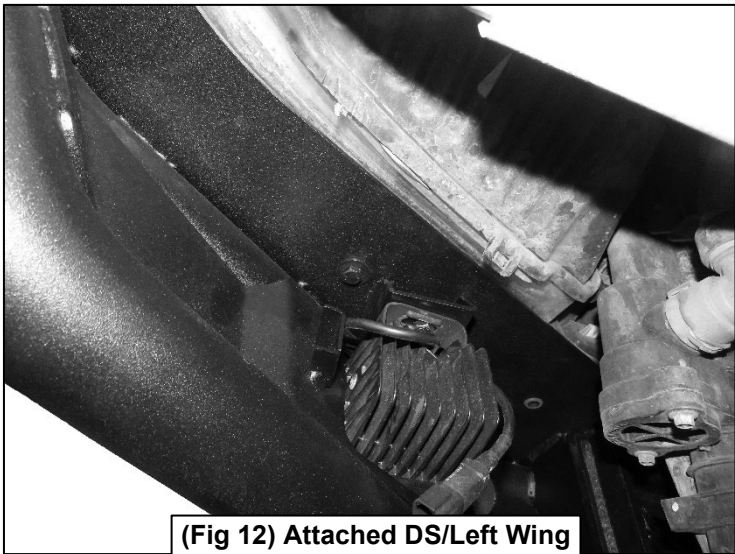


- (1) 8 – 1.25mm x 16 Hex Bolts
- (1) 8mm Lock Washer
- (1) 8mm x 24mm x 2mm Flat Washer

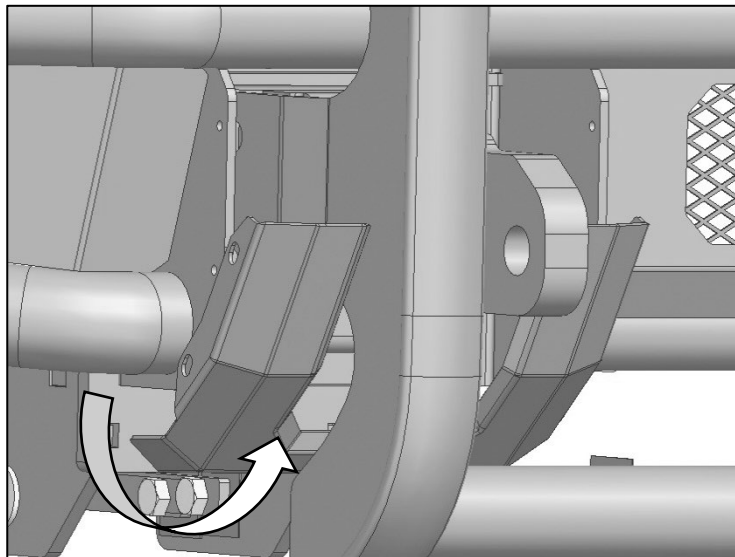
(Fig 10) Attach PS/Right Wing Guard Tube to Bumper with indicated hardware.



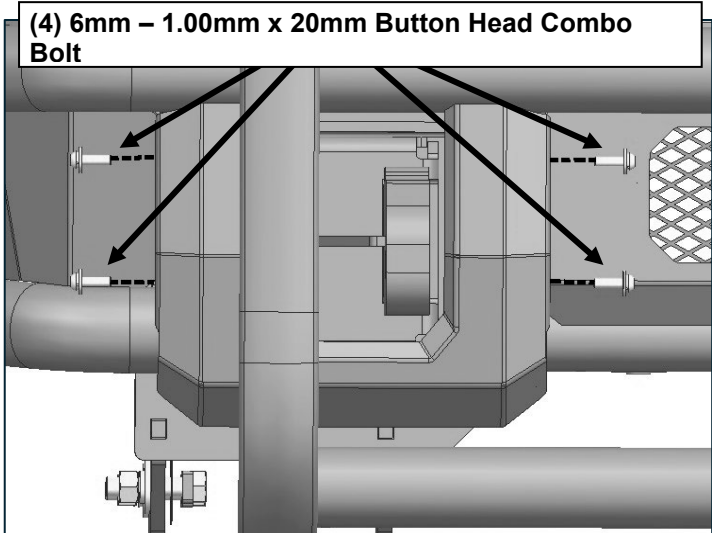
(Fig 11) Attached PS/Right Wing Guard Tube to Bumper and repeat for DS/Left Wing Guard Tube.



(Fig 12) Attached DS/Left Wing Guard Tube to Bumper.



(Fig 13) Slide in Bumper Cover Plate from behind LD Push Bar to attach to Bumper.

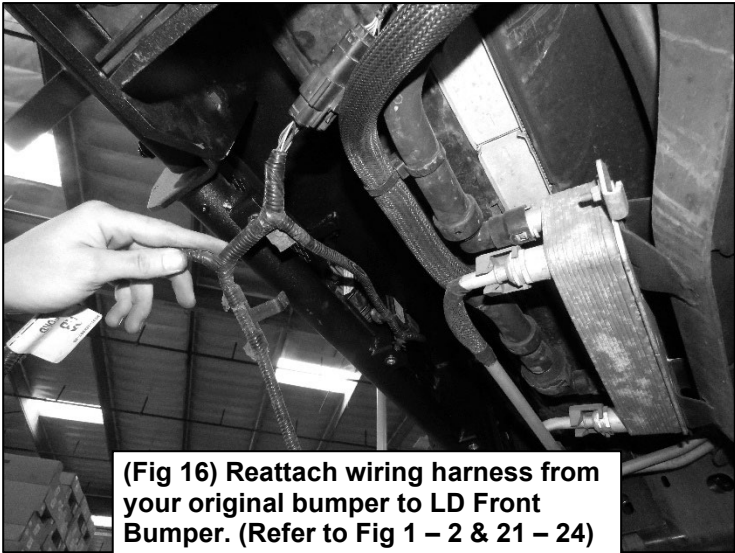


- (4) 6mm – 1.00mm x 20mm Button Head Combo Bolt

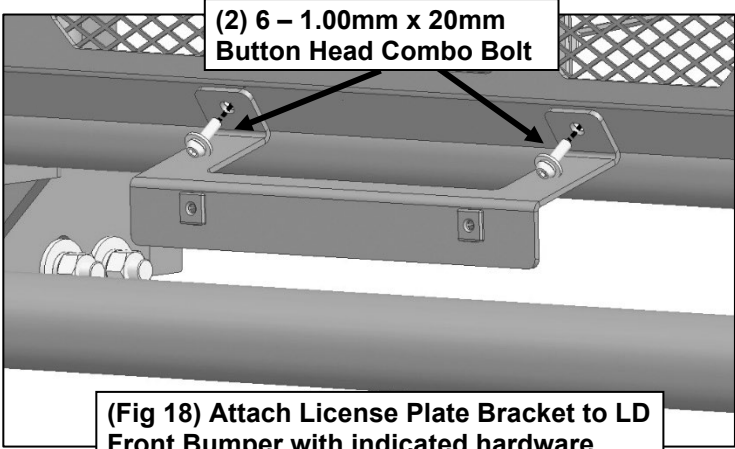
(Fig 14) Attach Bumper Cover Plate with indicated hardware.



(Fig 15) Attached Bumper Cover Plate and repeat on other side.  
**NOTE:** Tow hook not included

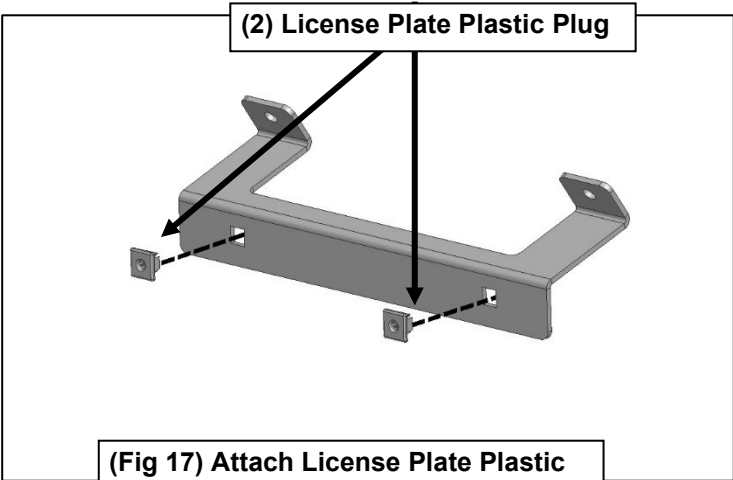


(Fig 16) Reattach wiring harness from your original bumper to LD Front Bumper. (Refer to Fig 1 – 2 & 21 – 24)  
**NOTE:** Use HD4 LD Front Bumper Installation Instructions for reference.



(2) 6 – 1.00mm x 20mm  
 Button Head Combo Bolt

(Fig 18) Attach License Plate Bracket to LD Front Bumper with indicated hardware.

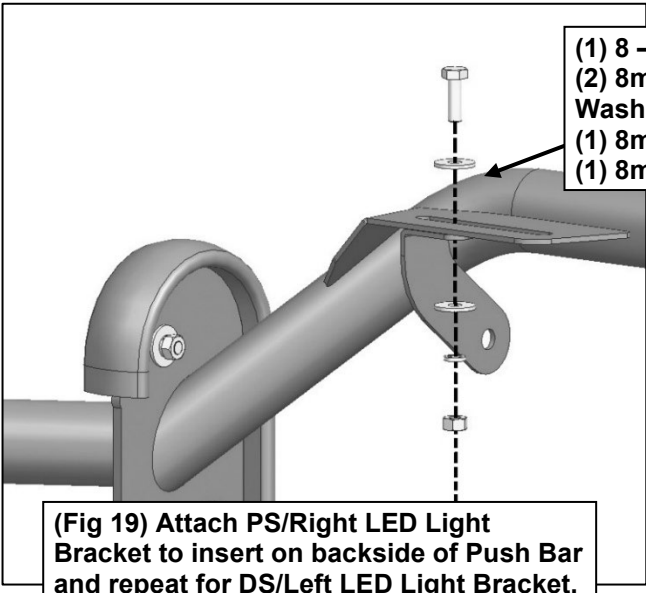


(2) License Plate Plastic Plug

(Fig 17) Attach License Plate Plastic Plugs to License Plate Bracket.

**3**

Follow (Fig 19 – 22) to attach LED Brackets and LED Light Bar (not included). Ensure all fasteners are hand tightened at this point. Orientation of LED Light Brackets based on your preference.

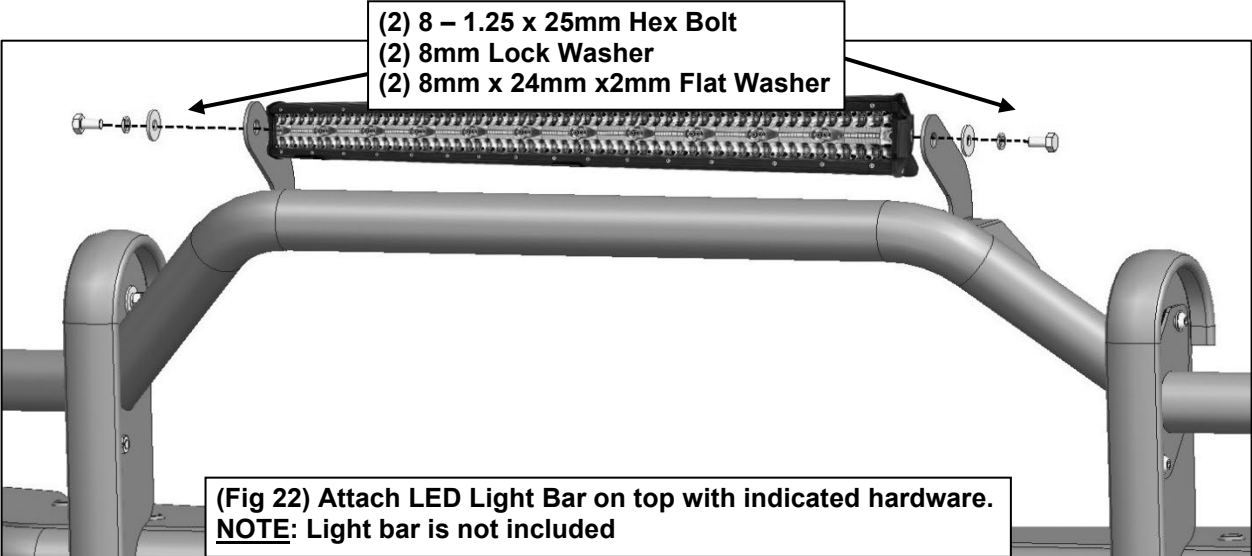
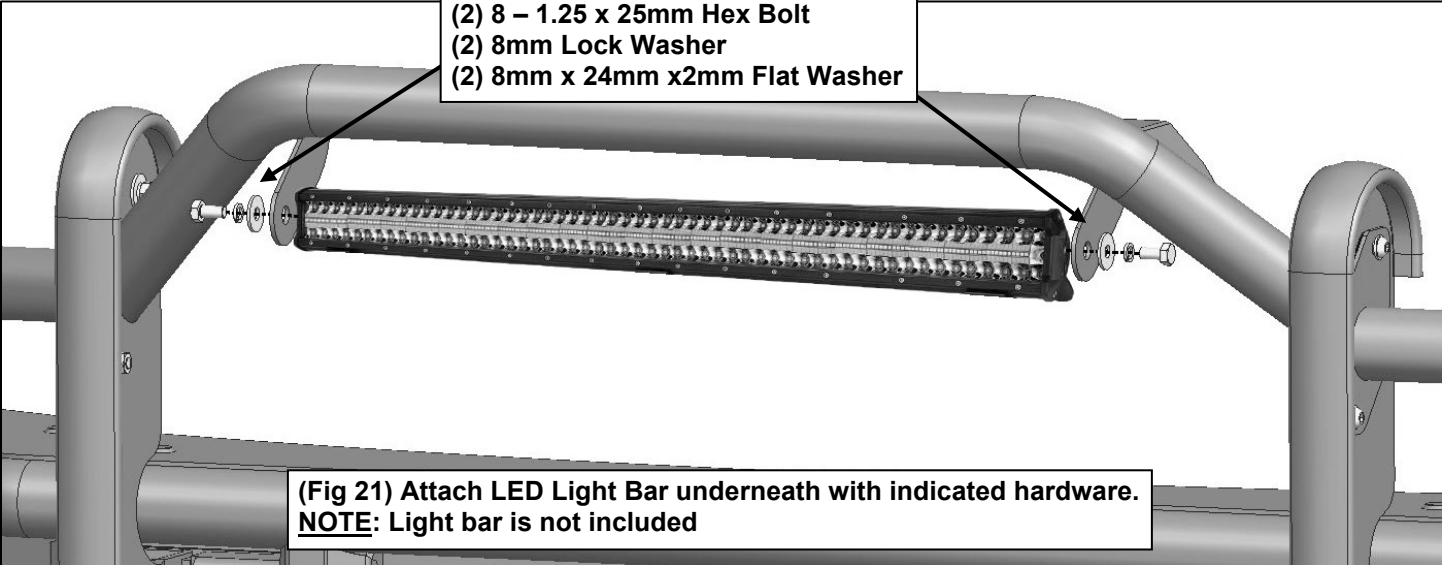
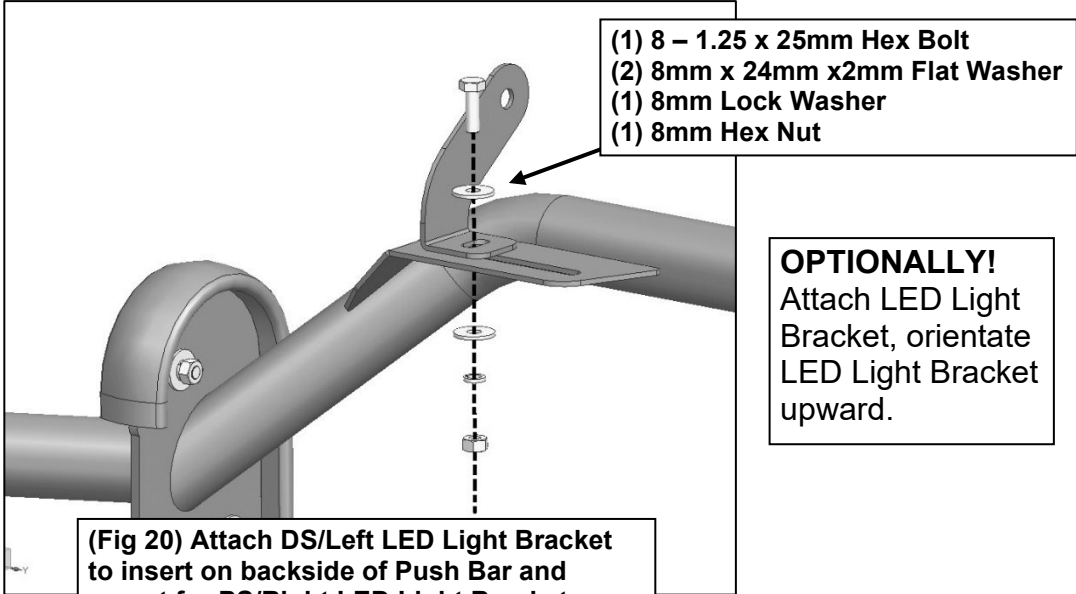


(1) 8 – 1.25 x 25mm Hex Bolt  
 (2) 8mm x 24mm x2mm Flat Washer  
 (1) 8mm Lock Washer  
 (1) 8mm Hex Nut

(Fig 19) Attach PS/Right LED Light Bracket to insert on backside of Push Bar and repeat for DS/Left LED Light Bracket.

**RECOMMENDED!**  
 Attach LED Light Bracket, orientated downward to cover center grill area for cleaner look.

Front Push Bar – SKU # SD72999  
2017 – 2022 F-250/F-350 Super Duty



**4**

Ensure Push Bar is level and properly fit, then tighten all fasteners. Installation is complete. Do periodic inspections to the installation to make sure that all hardware is secure and tight.



**Complete Installation (Tow Hook, Skid Plate and Lights not included)**