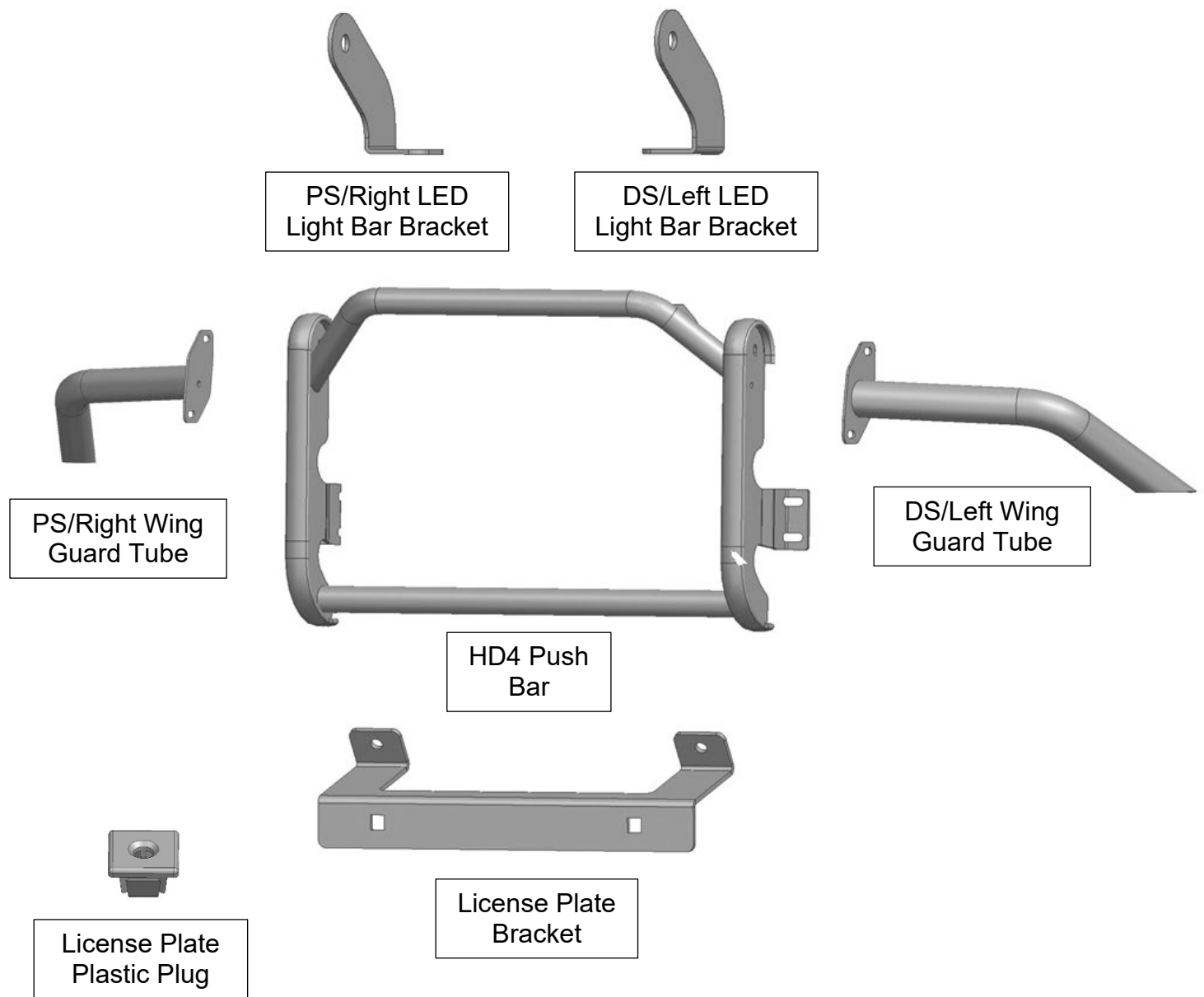
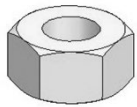


Installation Instructions

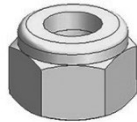
PARTS LIST:

Qty	Item Description	Qty	Item Description
1	HD4 Push Bar	4	8 – 1.25mm x 25mm Button Head Allen Bolts
1	DS/Left Wing Guard Tube	4	8 – 1.25mm x 25mm Hex Bolts
1	PS/Right Wing Guard Tube	2	8 – 1.25mm x 16 Hex Bolts
1	PS/Right LED Light Bar Bracket	12	8mm x 24mm x 2mm Flat Washers
1	DS/Left LED Light Bar Bracket	4	8mm x 16mm x 1.6mm Flat Washers
1	License Plate Bracket	10	8mm Lock Washers
2	License Plate Plastic Plug	6	8mm Hex Nuts
4	12mm x 32mm x 3mm Flat Washers	2	6 – 1.00mm x 20mm Button Head Allen Bolts
4	12mm Nylon Lock Nuts	1	4mm Allen Wrench





Hex Nut



Nylon Lock Nut



Lock Washer



Flat Washer



Hex Bolt



Button Head Allen Bolt

TOOLS REQUIRED



Ratchet



13, 18, & 19mm Socket



Extensions



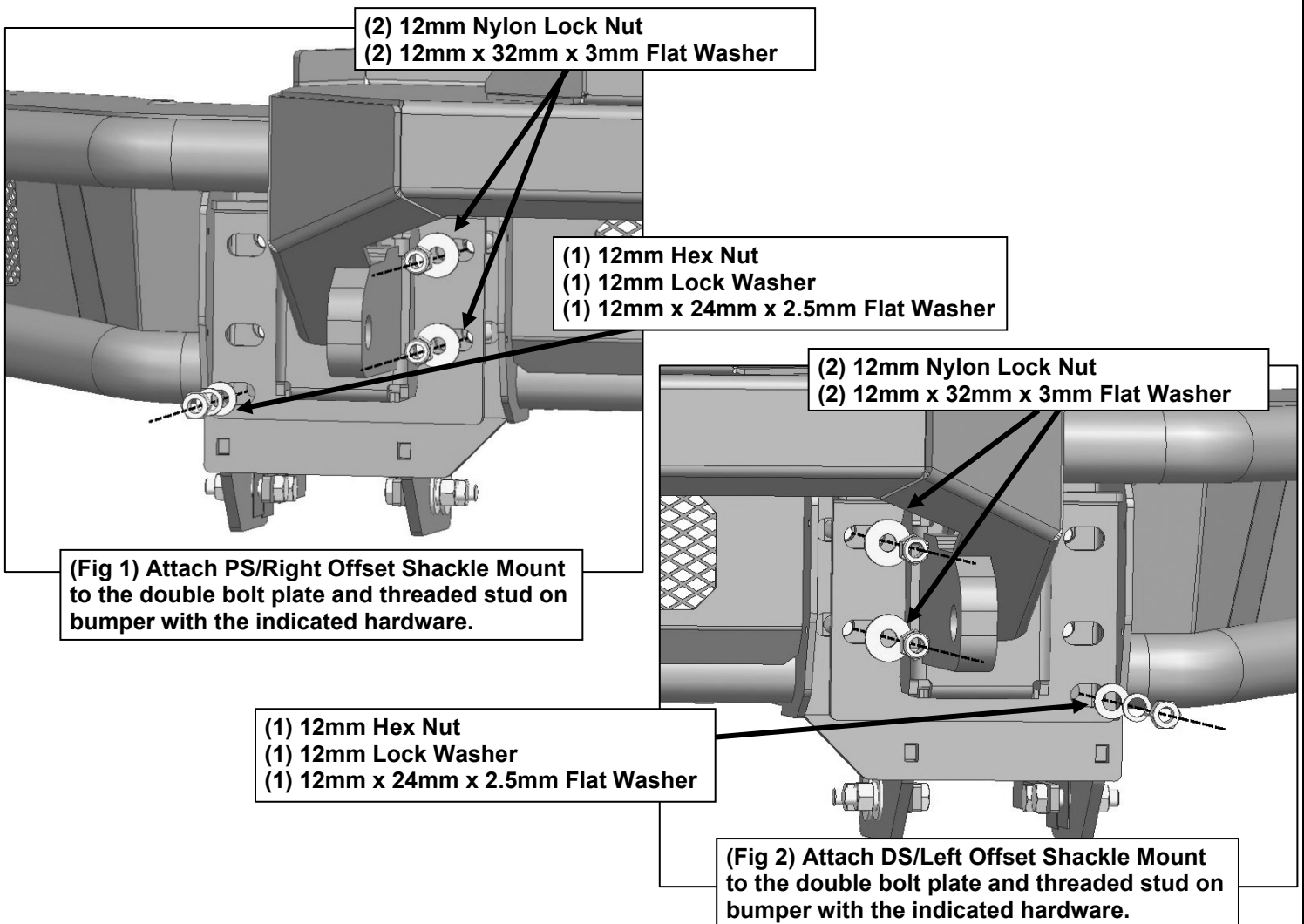
Allen Wrench



Wrench

1

Follow (Fig 1 – 15) to attach HD Push Bar and connect Wing Guard Tube to LD Bumper, then attach LED Brackets and LED Light as necessary. Ensure LD Push Bar is level before tightening fasteners. (Refer to HD4 Tubular LD Front Bumper Installation Instructions, continue from Fig 44)

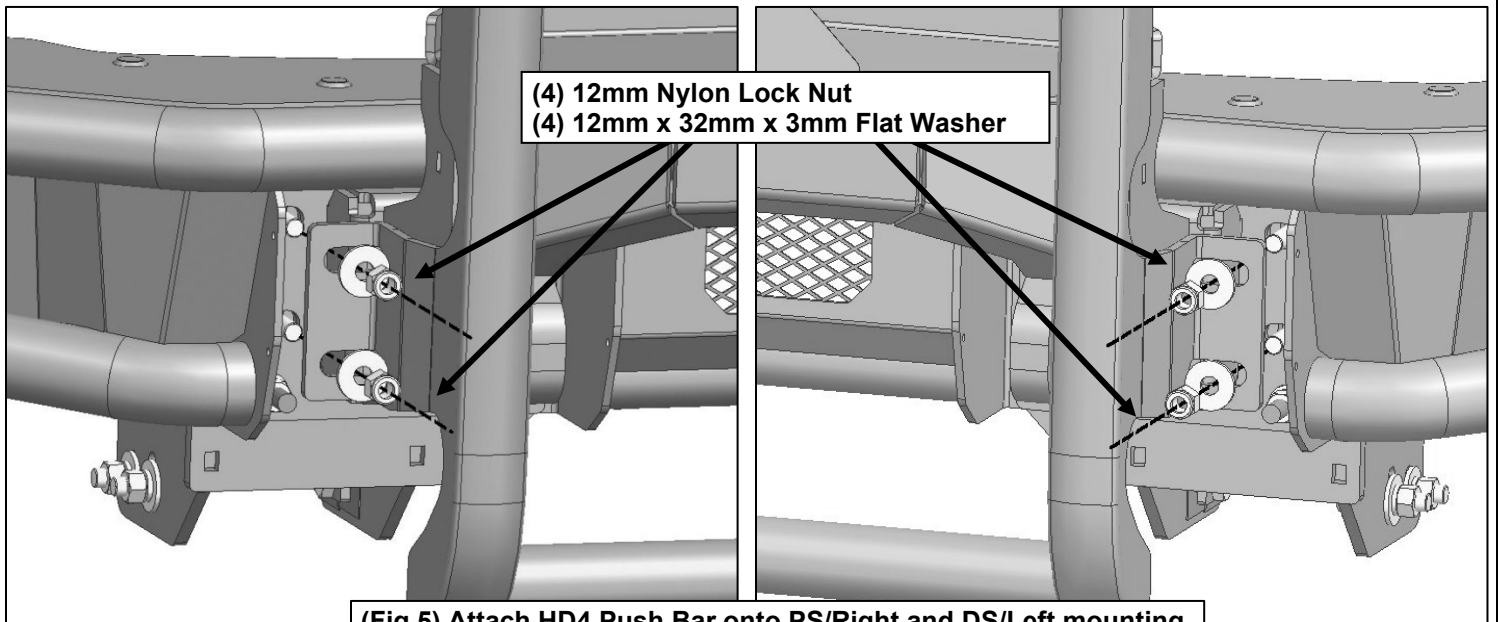




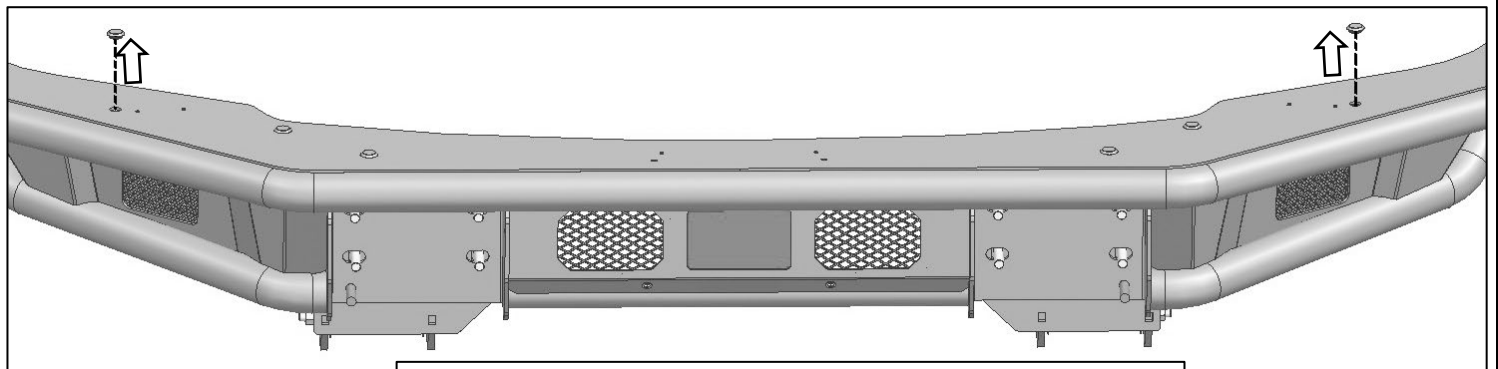
(Fig 3) Attached PS/Right Winch Tray.



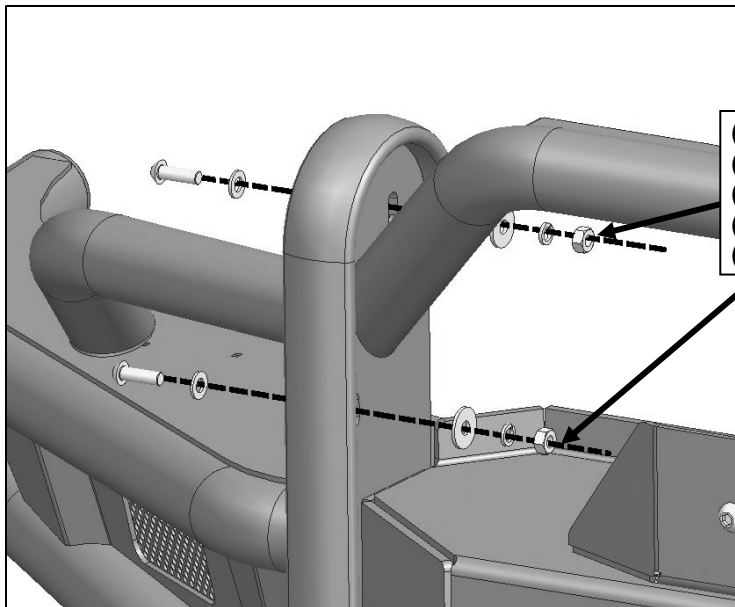
(Fig 4) Attached DS/Left Winch Tray.



(Fig 5) Attach HD4 Push Bar onto PS/Right and DS/Left mounting points together onto LD Front Bumper with indicated hardware.



(Fig 6) On top of Front Bumper, remove plugs from holes.



- (2) 8 – 1.25mm x 25mm Button Head Allen Bolts
- (2) 8mm x 16mm x 1.6mm Flat Washers
- (2) 8mm x 24mm x 2mm Flat Washers
- (2) 8mm Lock Washer
- (2) 8mm Hex Nut

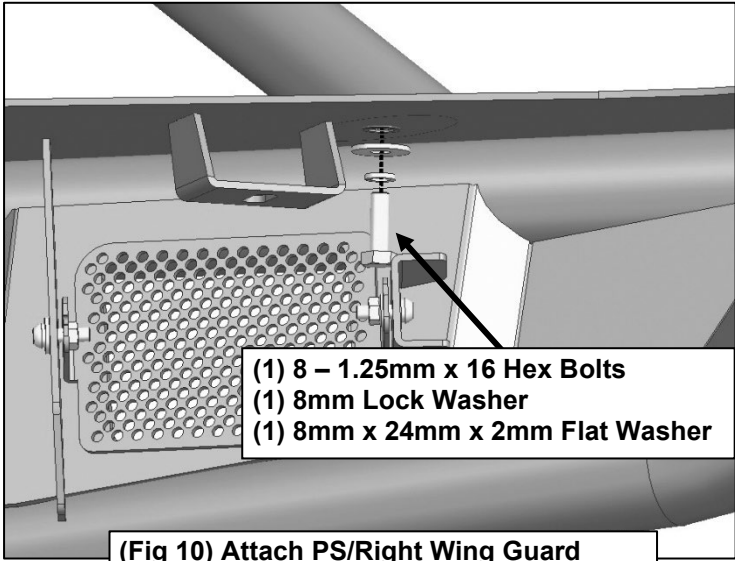
(Fig 7) Attach PS/Right Wing Guard Tube onto HD4 Push Bar with indicated hardware.



**(Fig 8) Attached PS/Right Wing Guard Tube onto HD4 Push Bar.
Note: Winch and Lights not included**

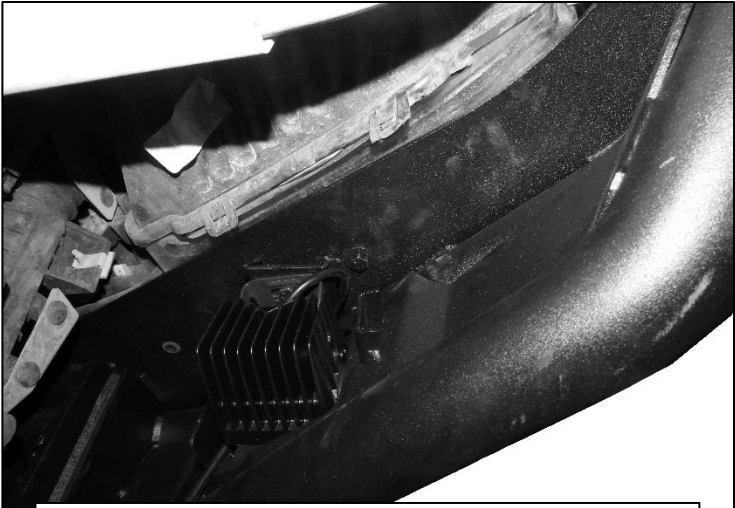


**(Fig 9) Attached DS/Left Wing Guard Tube onto HD4 Push Bar.
Note: Winch and Lights not included**

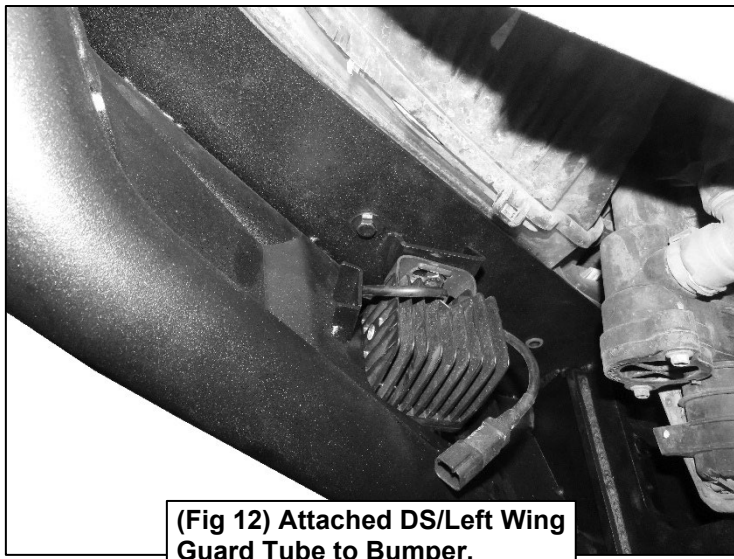


- (1) 8 – 1.25mm x 16 Hex Bolts
- (1) 8mm Lock Washer
- (1) 8mm x 24mm x 2mm Flat Washer

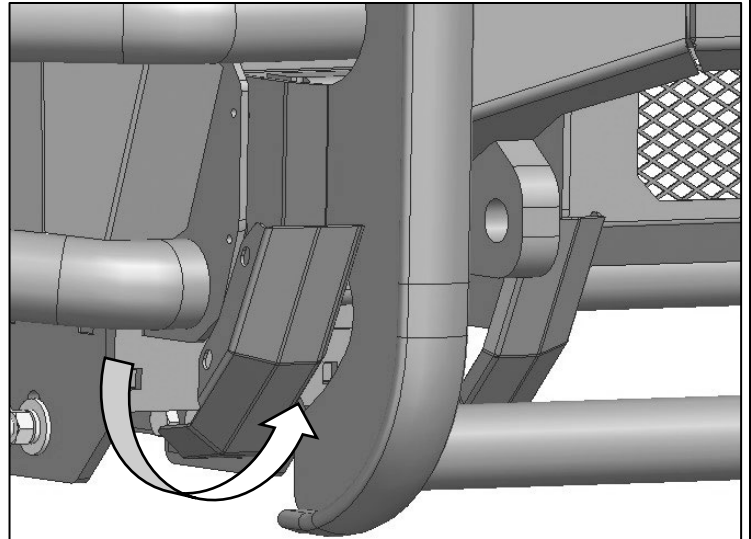
(Fig 10) Attach PS/Right Wing Guard Tube to Bumper with indicated hardware.



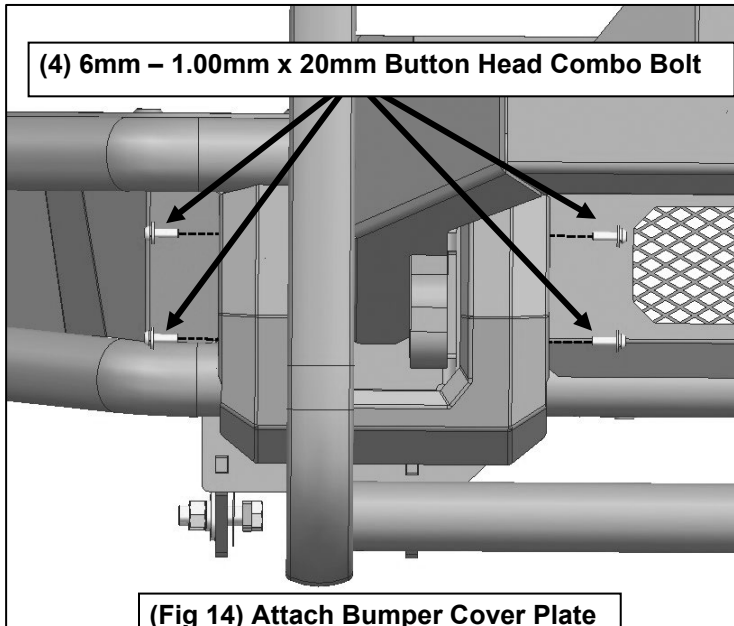
(Fig 11) Attached PS/Right Wing Guard Tube to Bumper and repeat for DS/Left Wing Guard Tube.



(Fig 12) Attached DS/Left Wing Guard Tube to Bumper.



(Fig 13) Slide in Bumper Cover Plate from behind LD Push Bar to attach to Bumper.



(4) 6mm – 1.00mm x 20mm Button Head Combo Bolt

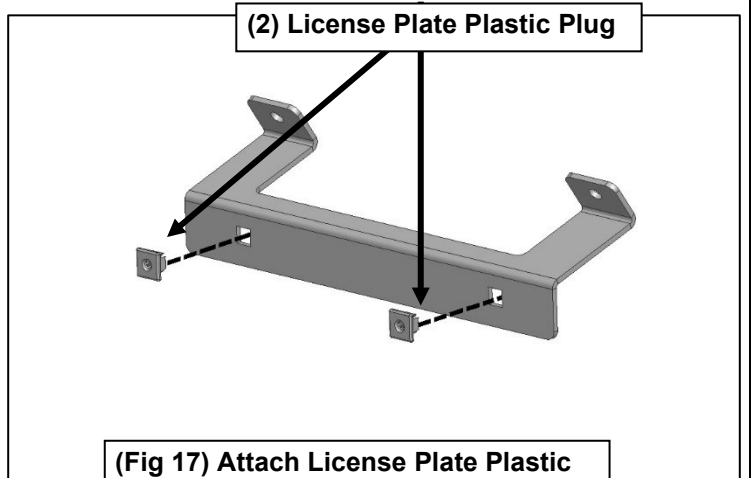
(Fig 14) Attach Bumper Cover Plate with indicated hardware.



(Fig 15) Attached Bumper Cover Plate and repeat on other side.
NOTE: Tow hook not included

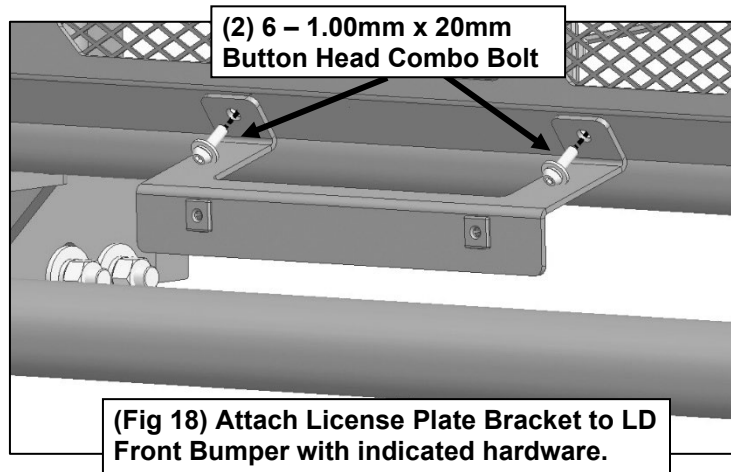


(Fig 16) Reattach wiring harness from your original bumper to LD Front Bumper. (Refer to Fig 1 – 2 & 21 – 24)
NOTE: Use HD4 LD Front Bumper Installation Instructions for reference.



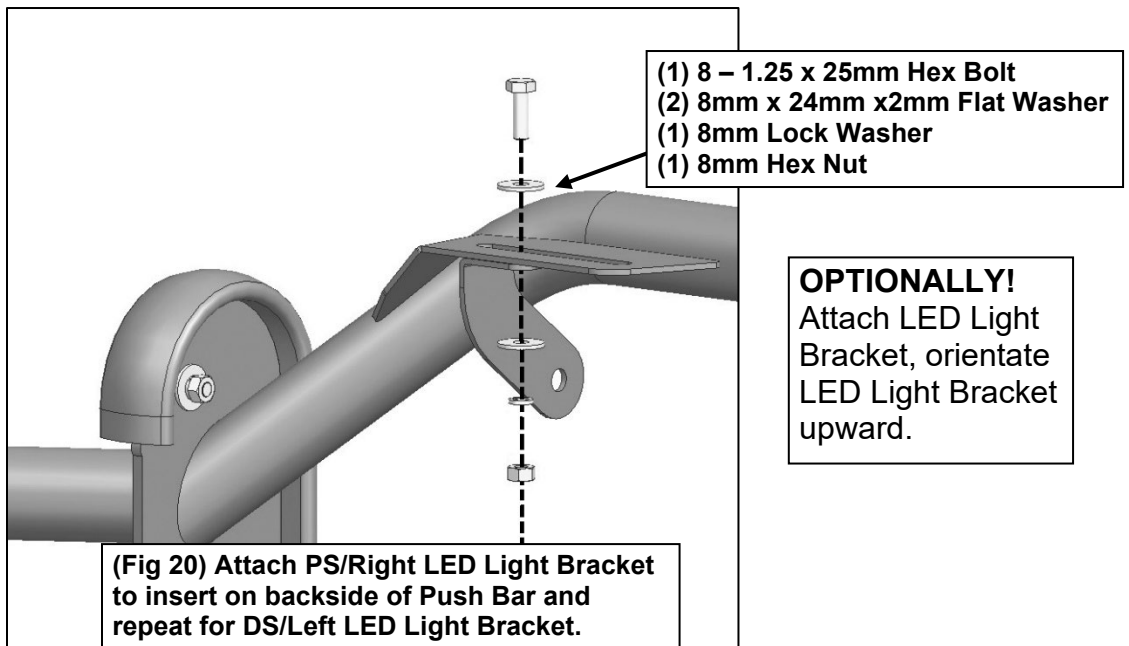
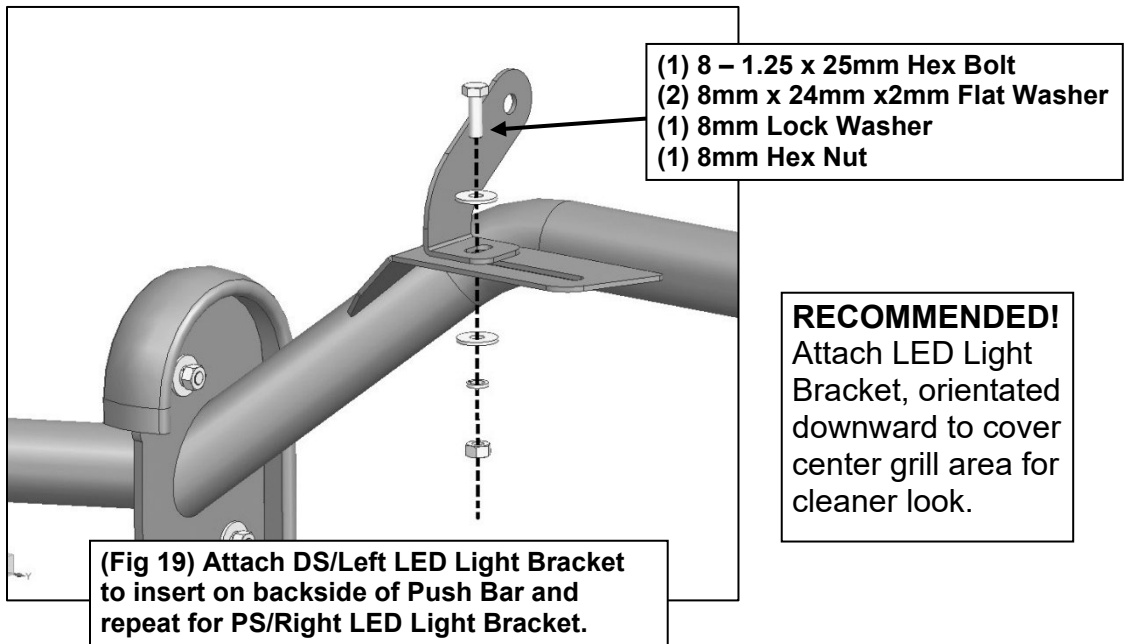
(2) License Plate Plastic Plug

(Fig 17) Attach License Plate Plastic Plugs to License Plate Bracket.

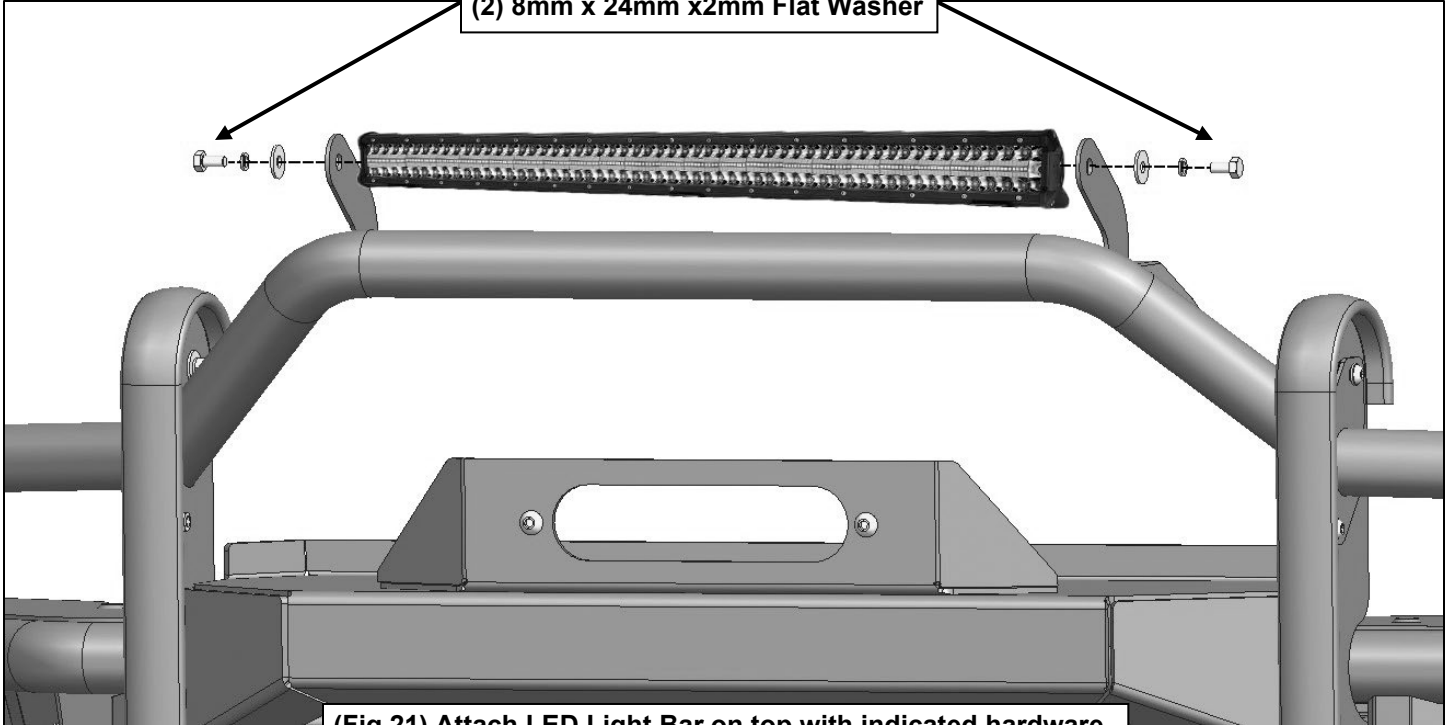


3

Follow (Fig 19 – 22) to attach LED Brackets and LED Light Bar (not included). Ensure all fasteners are hand tightened at this point. Orientation of LED Light Brackets based on your preference.

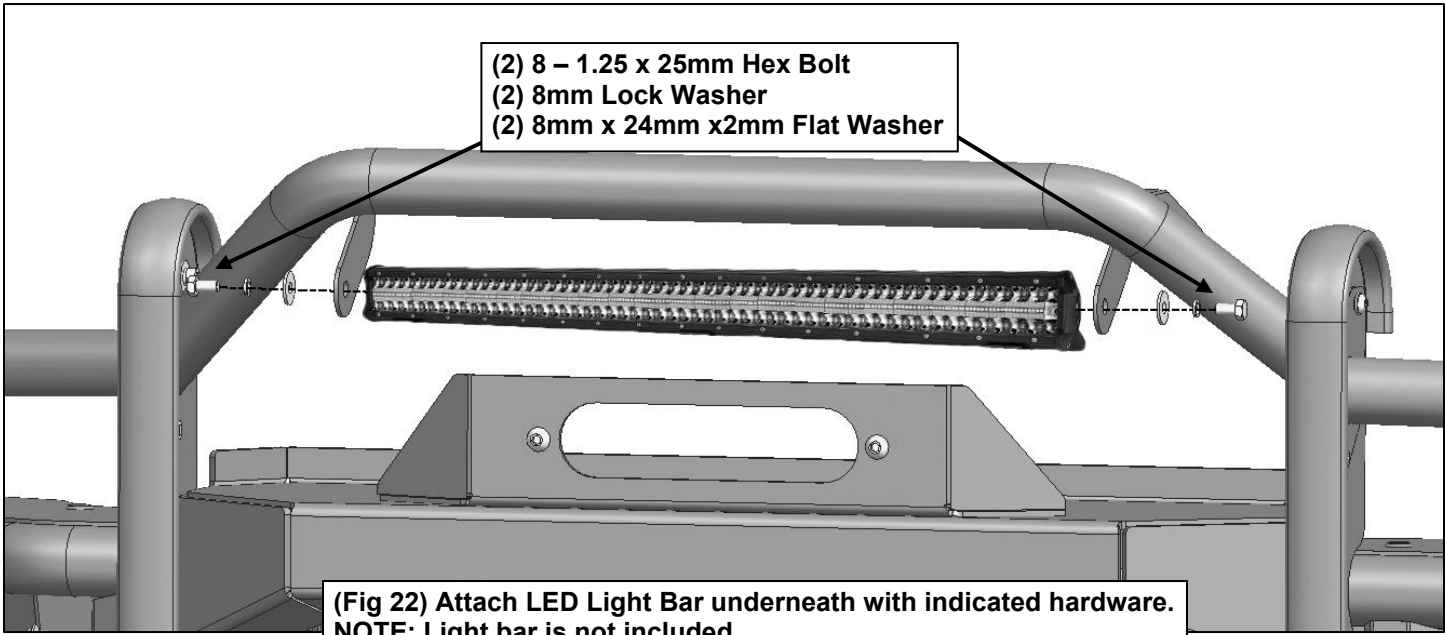


- (2) 8 – 1.25 x 25mm Hex Bolt
- (2) 8mm Lock Washer
- (2) 8mm x 24mm x2mm Flat Washer



(Fig 21) Attach LED Light Bar on top with indicated hardware.
NOTE: Light bar is not included

- (2) 8 – 1.25 x 25mm Hex Bolt
- (2) 8mm Lock Washer
- (2) 8mm x 24mm x2mm Flat Washer



(Fig 22) Attach LED Light Bar underneath with indicated hardware.
NOTE: Light bar is not included

4

Ensure Push Bar is level and properly fit, then tighten all fasteners. Installation is complete. Do periodic inspections to the installation to make sure that all hardware is secure and tight.



Complete Installation (Tow Hook, Skid Plate, Winch and Lights not included)