

BARRICADE

INSTALLATION INSTRUCTIONS

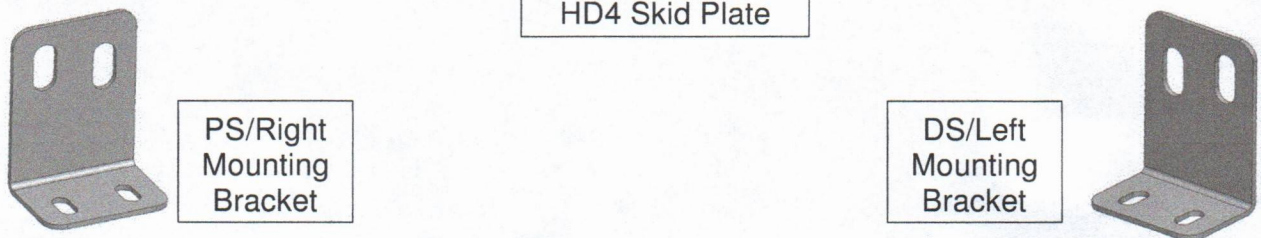
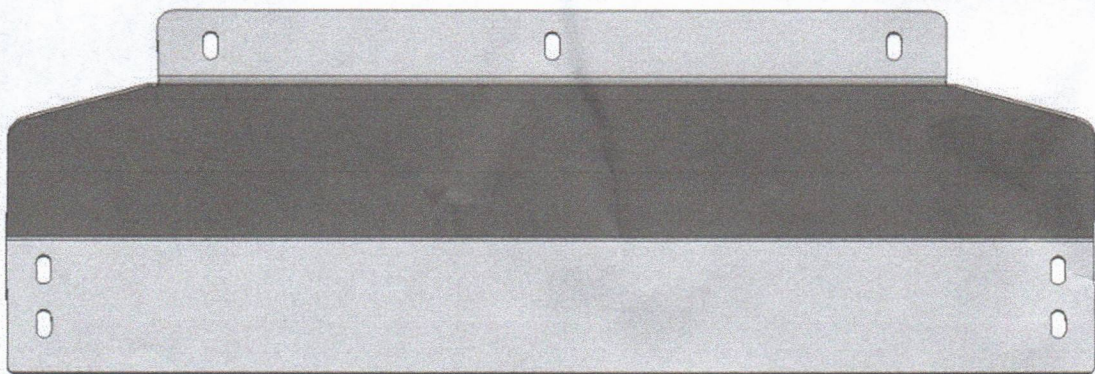
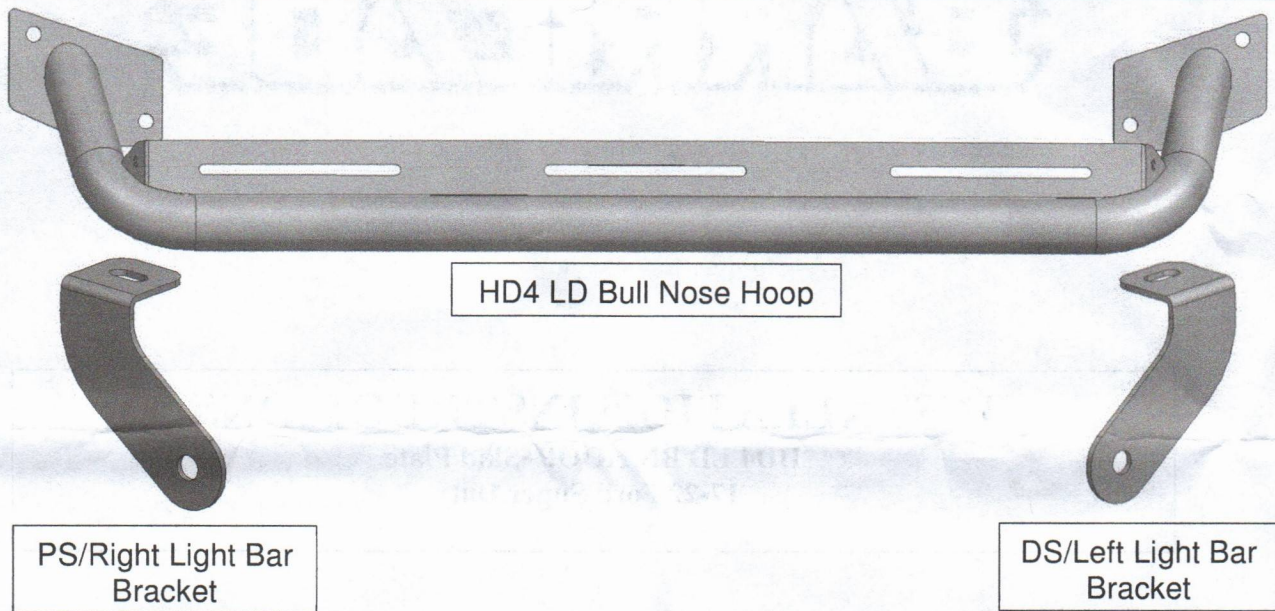
HD4 LD BN HOOP+Skid Plate

17-22 Ford Super Duty

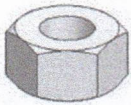
Installation Instructions

PARTS LIST: SD72998

Qty	Item Description	Qty	Item Description
1	HD4 Skid Plate	2	8-1.25mm x 25mm Hex Bolt
1	HD4 LD Bull Nose Hoop	2	8-1.25mm x 16mm Hex Bolt
1	DS/Left Mounting Bracket	14	8mm x 24mm x 2mm Flat Washer
1	PS/Right Mounting Bracket	11	8mm x 22mm x 2mm Flat Washer
1	DS/Left Light Bar Bracket	15	8mm Lock Washer
1	PS/Right Light Bar Bracket	10	8mm Hex Nut
4	8-1.25mm x 25mm Button Head Allen Bolt	1	5mm Allen Wrench
7	8-1.25mm x 20mm Button Head Allen Bolt		



**HD4 LD BN Hoop
HD4 Skid Plate
2017 – 2022 Ford Super Duty**



Hex Nut



Lock Washer



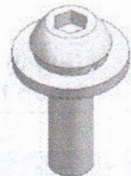
Flat Washer



Hex Bolt

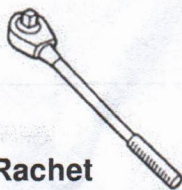


Button Head Allen Bolt



Button Head Combo Bolt

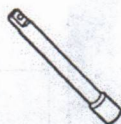
TOOLS REQUIRED



Ratchet



13, 18, & 19mm Socket



Extensions



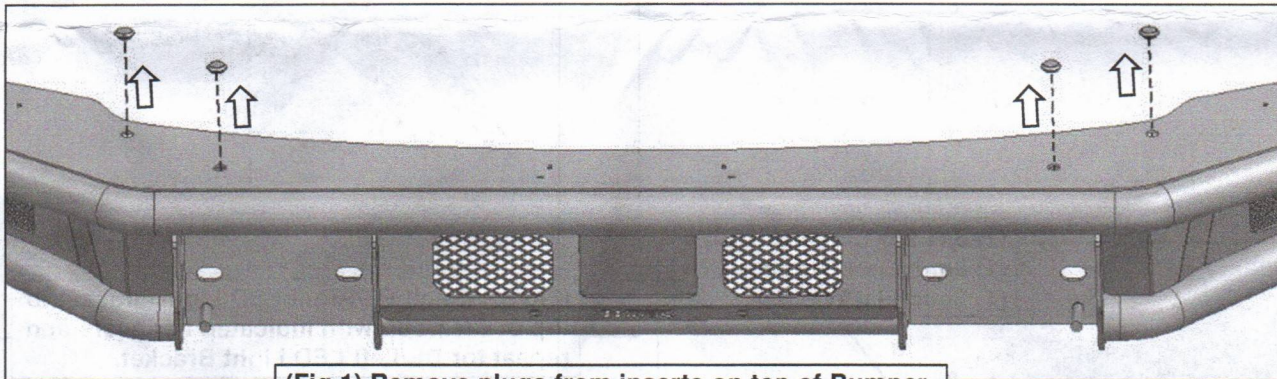
Allen Wrench



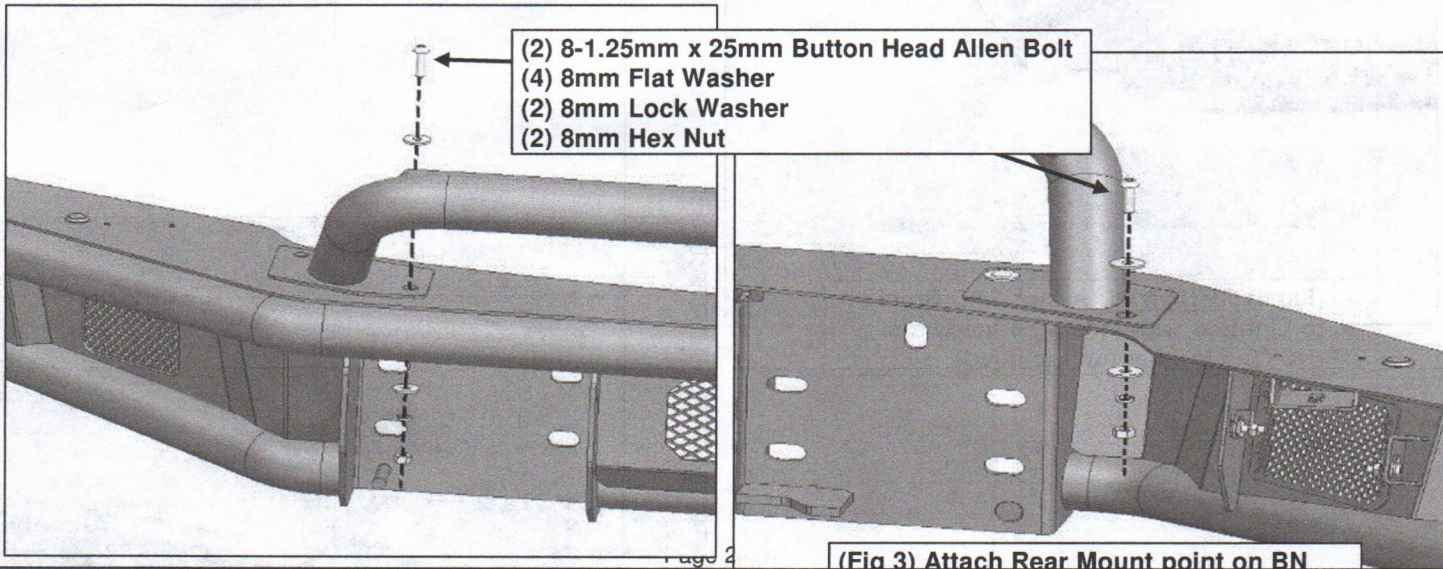
Wrench

1

Follow (Fig 1 – 7) to attach LD BN Hoop to LD Bumper, then attach LED Brackets and LED Light as necessary. Ensure BN Hoop is level before tightening fasteners. (Refer to HD4 Tubular LD Front Bumper Installation Instructions, continue from Fig 30A)

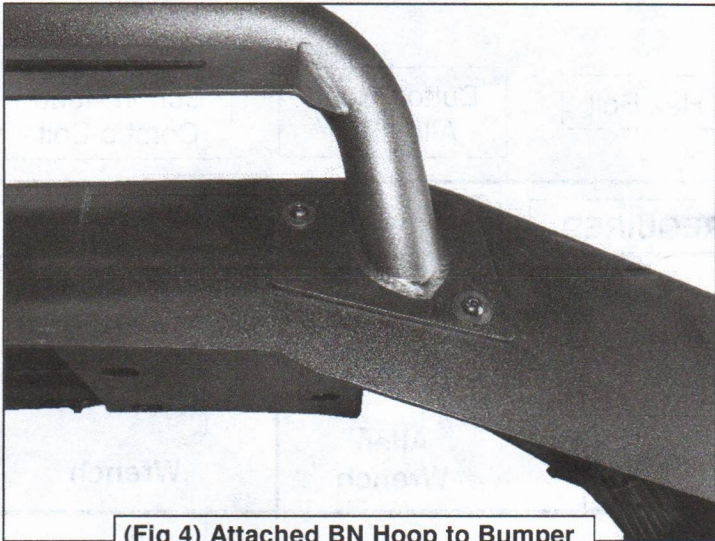


(Fig 1) Remove plugs from inserts on top of Bumper



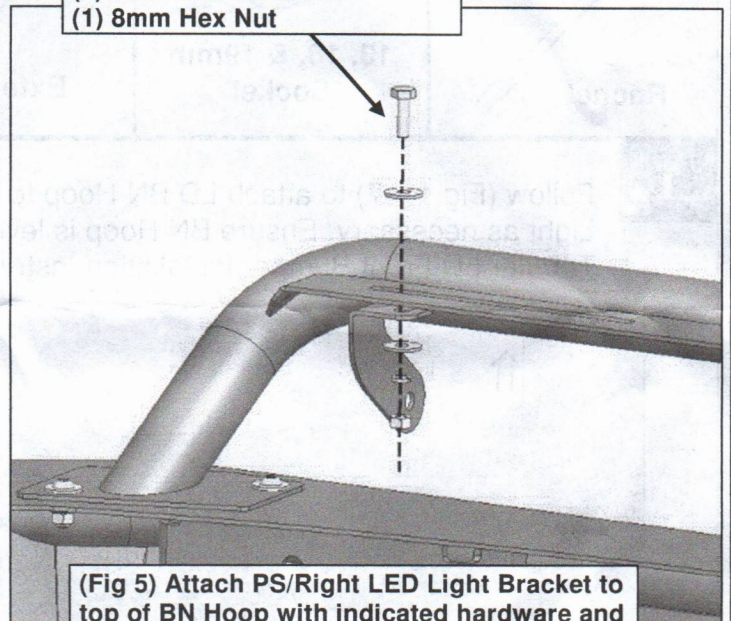
(Fig 3) Attach Rear Mount point on BN Hoop to Bumper with indicated hardware and repeat on DS of BN Loop.

(Fig 2) Attach Front Mount point on BN Hoop to Bumper with indicated hardware.



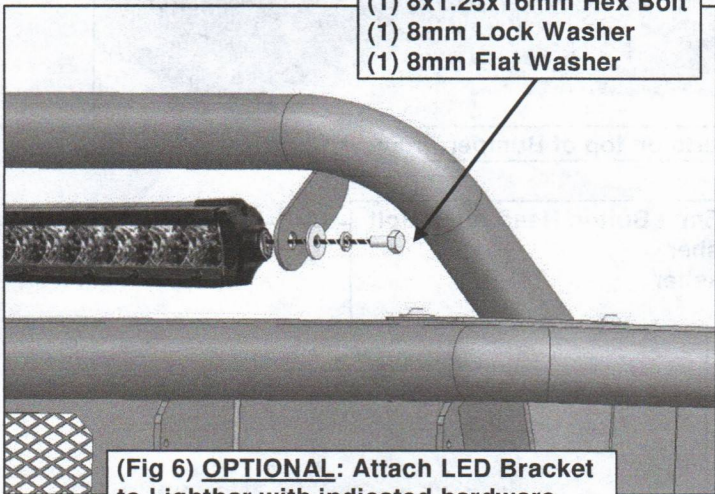
(Fig 4) Attached BN Hoop to Bumper

- (1) 8-1.25mm x 25mm Hex Bolt
- (2) 8mm Flat Washer
- (1) 8mm Lock Washer
- (1) 8mm Hex Nut

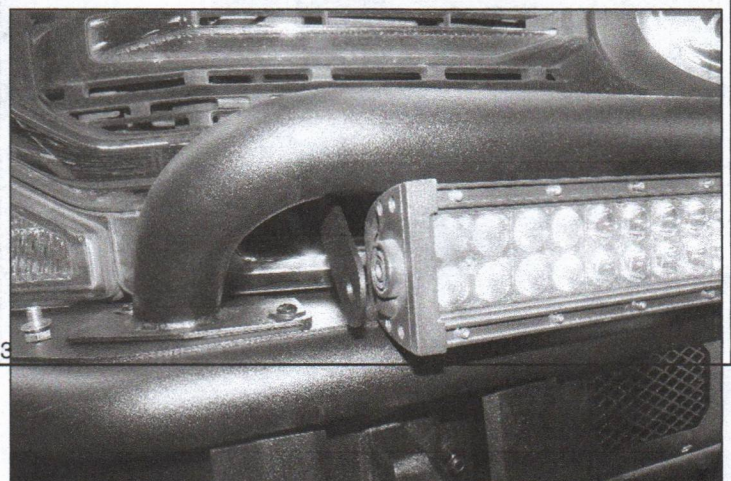


(Fig 5) Attach PS/Right LED Light Bracket to top of BN Hoop with indicated hardware and repeat for DS/Left LED Light Bracket.

- (1) 8x1.25x16mm Hex Bolt
- (1) 8mm Lock Washer
- (1) 8mm Flat Washer



(Fig 6) **OPTIONAL:** Attach LED Bracket to Lightbar with indicated hardware.
(NOTE: Lightbar not included)

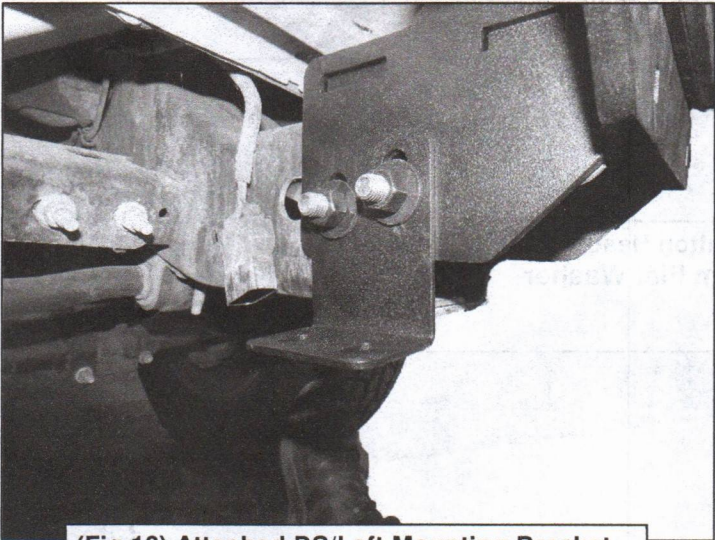


2

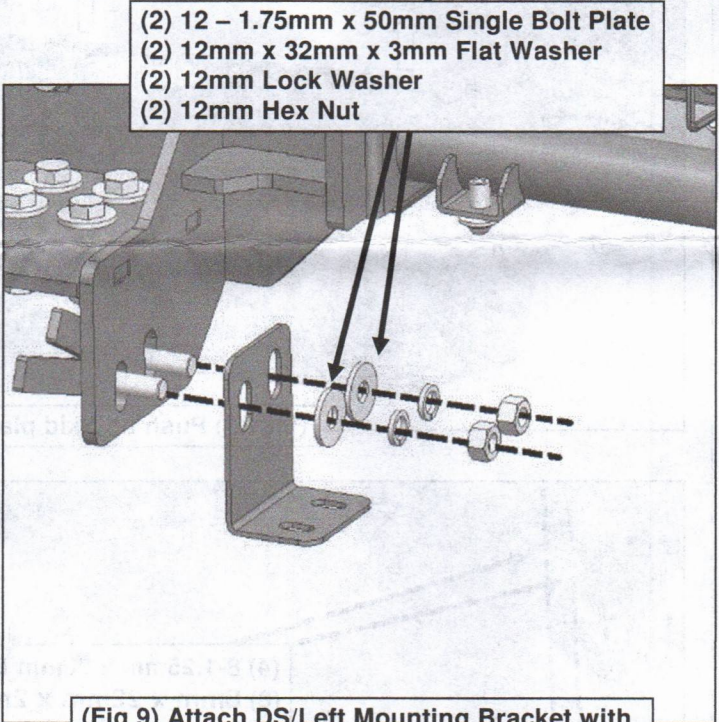
Follow (Fig 8 – 17) to attach Skid Plate onto LD Front Bumper. Ensure hardware from previous steps are tight at this point. (Refer to HD4 Tubular LD Front Bumper Installation Instructions, continue from Fig 34)



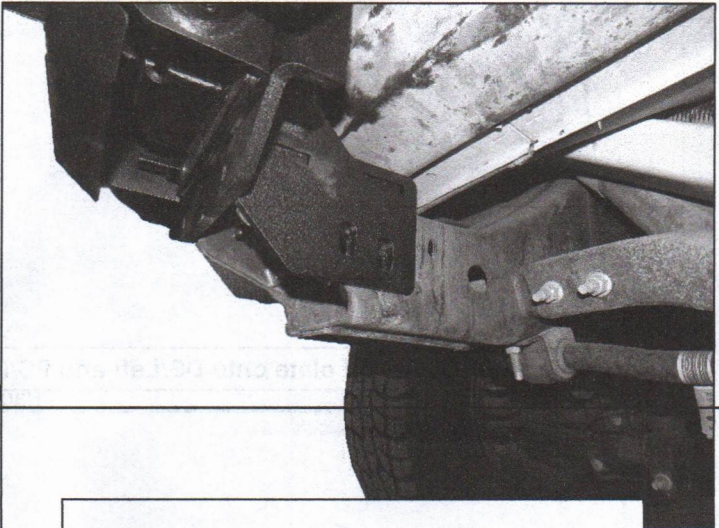
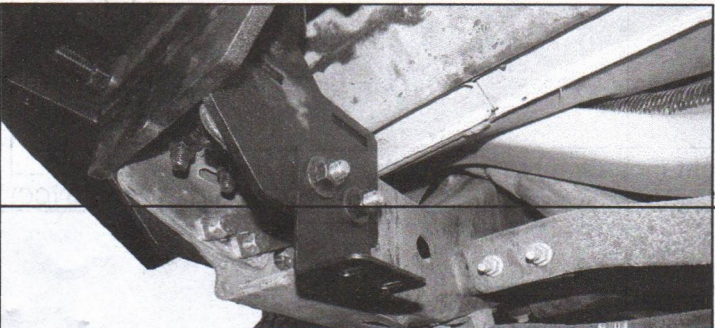
(Fig 8) Ensure DS/Left Mounting Bracket is aligned to mounting points on frame.



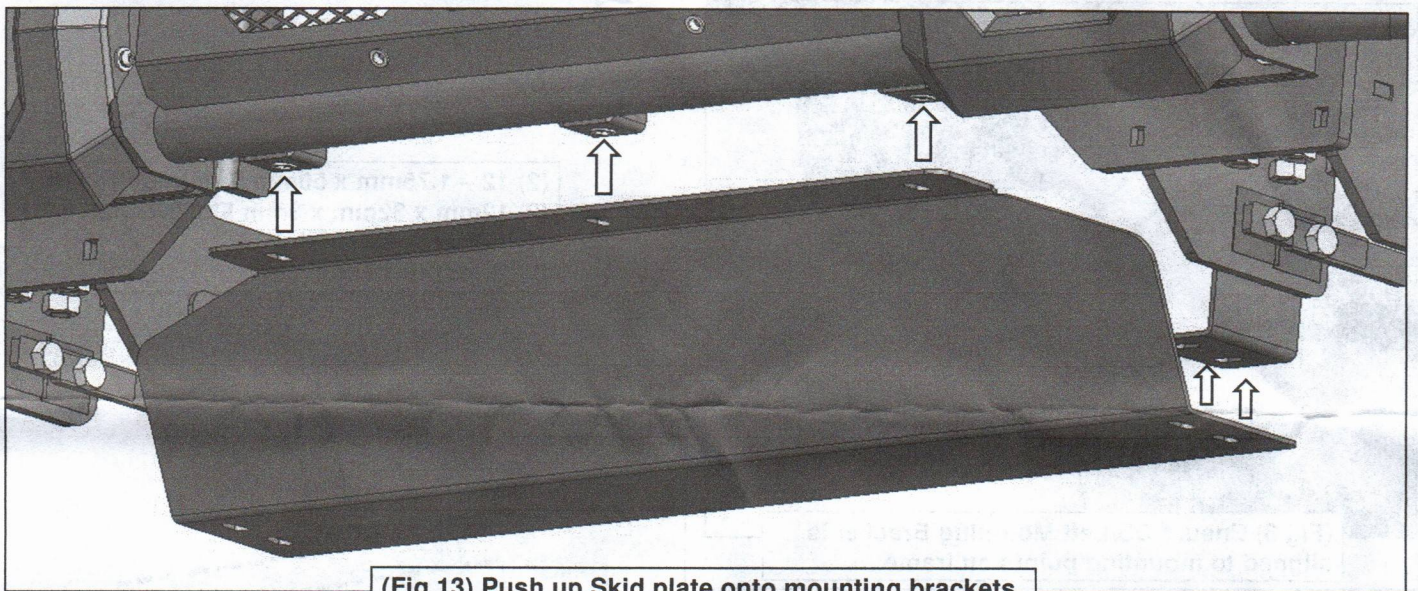
(Fig 10) Attached DS/Left Mounting Bracket.



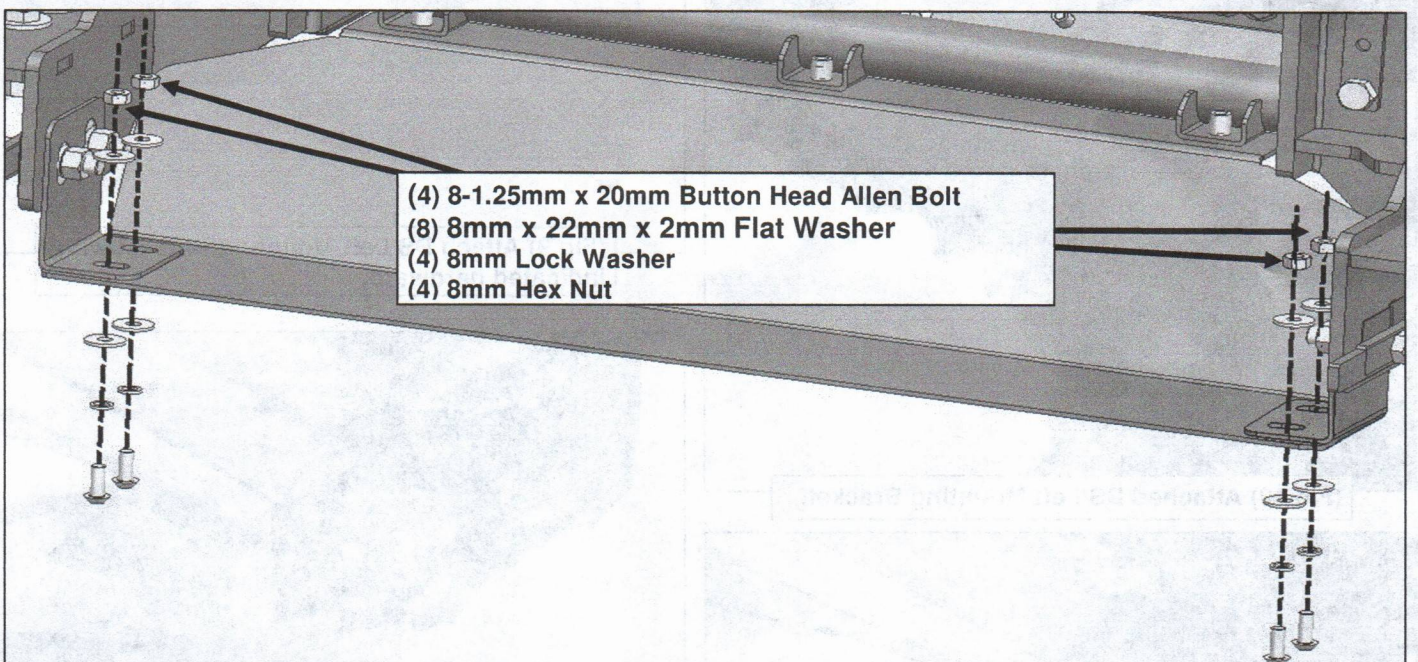
(Fig 9) Attach DS/Left Mounting Bracket with indicated hardware.



(Fig 12) Attached PS/Right Mounting Bracket.

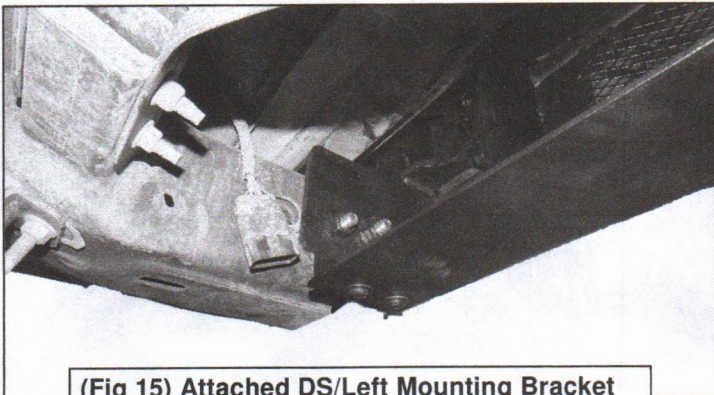


(Fig 13) Push up Skid plate onto mounting brackets.

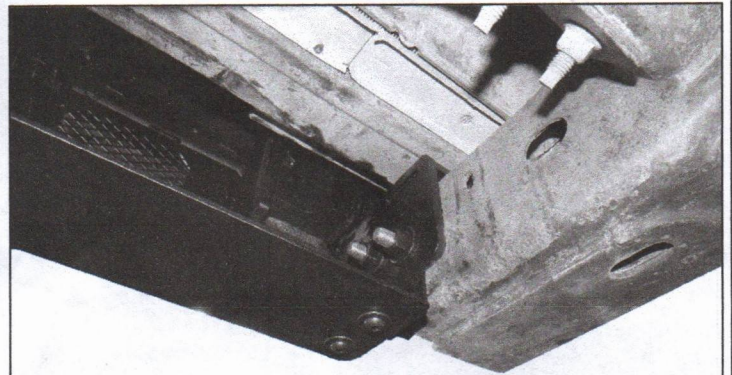


(Fig 14) Attach Skid plate onto DS/Left and PS/Right mounting brackets with indicated hardware.

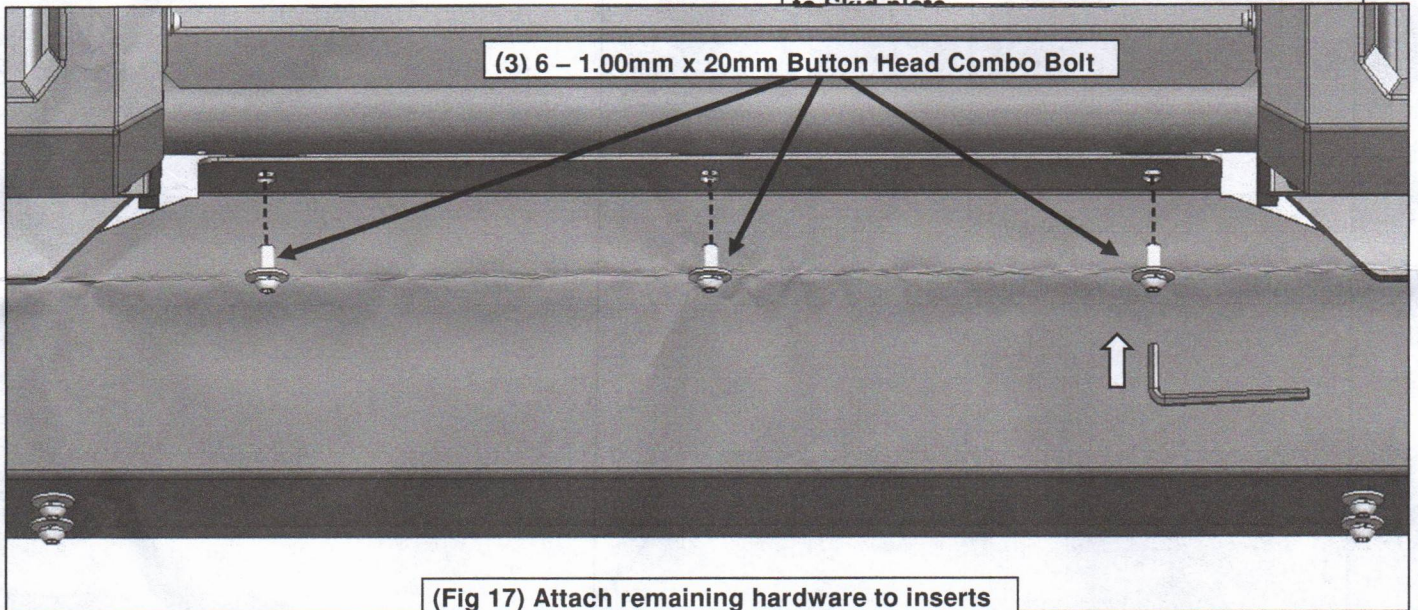
HD4 LD BN Hoop
HD4 Skid Plate
2017 – 2022 Ford Super Duty



(Fig 15) Attached DS/Left Mounting Bracket to Skid plate.



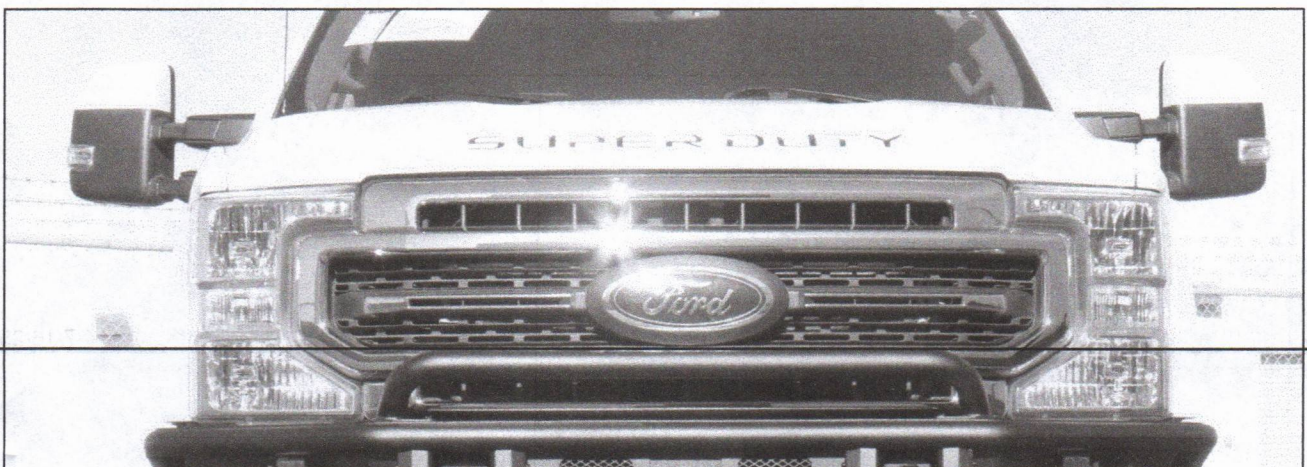
(Fig 16) Attached PS/Right Mounting Bracket to Skid plate.



(Fig 17) Attach remaining hardware to inserts on LD Front Bumper with indicated hardware.

3

Ensure LD BN Loop and Skid Plate is level, and all fasteners are tightened at this point, then ensure all connections are secure. Installation is complete. Do periodic inspections to the installation to make sure that all hardware is secure and tight.



2017 - 2022 Ford Super Duty
HD4 LD BN Hoop
HD4 Skid Plate

**HD4 LD BN Hoop
HD4 Skid Plate
2017 - 2022 Ford Super Duty**

