

BARRICADE

Installation Instructions

PARTS LIST: SD72999

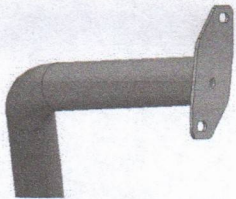
Qty	Item Description	Qty	Item Description
1	HD4 Push Bar	2	12mm Hex Nuts
1	DS/Left Wing Guard Tube	8	12mm Nylon Lock Nuts
1	PS/Right Wing Guard Tube	4	8 – 1.25mm x 25mm Button Head Allen Bolts
1	DS/Left Offset Shackle Mount	4	8 – 1.25mm x 25mm Hex Bolts
1	PS/Right Offset Shackle Mount	2	8 – 1.25mm x 16 Hex Bolts
1	PS/Right LED Light Bar Bracket	12	8mm x 24mm x 2mm Flat Washers
1	DS/Left LED Light Bar Bracket	4	8mm x 16mm x 1.6mm Flat Washers
1	License Plate Bracket	10	8mm Lock Washers
2	License Plate Plastic Plug	6	8mm Hex Nuts
8	12mm x 32mm x 3mm Flat Washers	2	6 – 1.00mm x 20mm Button Head Allen Bolts
2	12mm x 24mm x 2.5mm Flat Washers	1	4mm Allen Wrench
2	12mm Lock Washers		



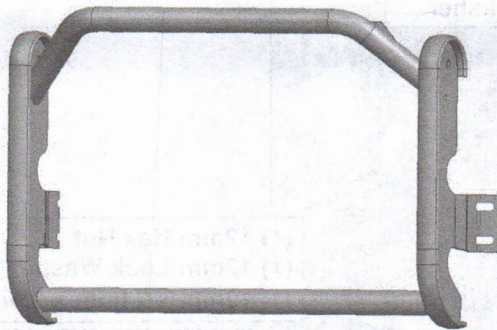
DS/Left LED
Light Bar Bracket



PS/Right LED
Light Bar Bracket



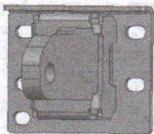
PS/Right Wing
Guard Tube



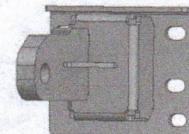
HD4 Push
Bar



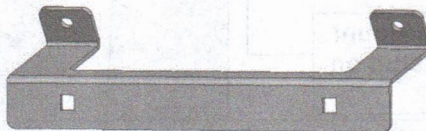
DS/Left Wing
Guard Tube



PS/Right Offset
Shackle Mount



DS/Left Offset
Shackle Mount

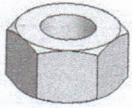


License Plate
Bracket

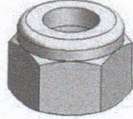


License Plate
Plastic Plug

HD4 LD Front Push Bar
2017 – 2022 Ford Super Duty



Hex Nut



Nylon Lock Nut



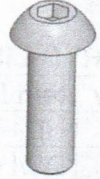
Lock Washer



Flat Washer

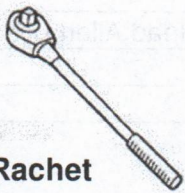


Hex Bolt



Button Head Allen Bolt

TOOLS REQUIRED



Ratchet



13, 18, & 19mm
Socket



Extensions



Allen
Wrench



Wrench

- 1** Follow (Fig 1 – 15) to attach LD Push Bar and connect Wing Guard Tube to LD Bumper, then attach LED Brackets and LED Light as necessary. Ensure LD Push Bar is level before tightening fasteners. (Refer to HD4 Tubular LD Front Bumper Installation Instructions, continue from Fig 44)

(2) 12mm Nylon Lock Nut
(2) 12mm x 32mm x 3mm Flat Washer

(1) 12mm Hex Nut
(1) 12mm Lock Washer
(1) 12mm x 24mm x 2.5mm Flat Washer

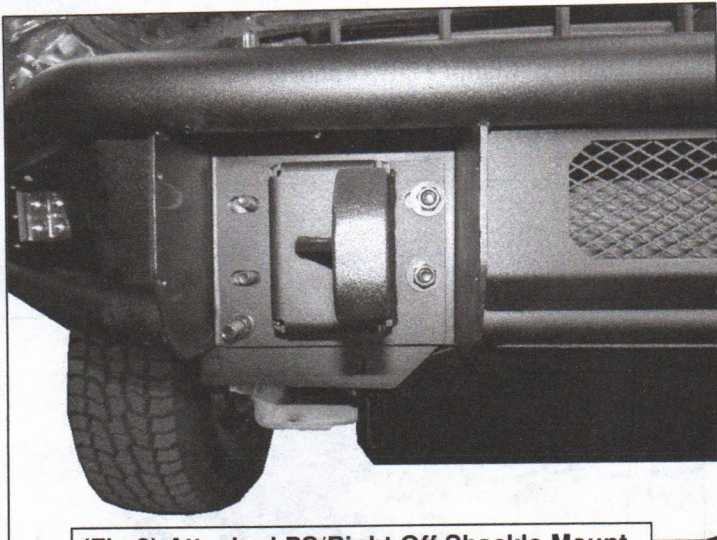
(2) 12mm Nylon Lock Nut
(2) 12mm x 32mm x 3mm Flat Washer

(Fig 1) Attach PS/Right Offset Shackle Mount to the double bolt plate and threaded stud on bumper with the indicated hardware.

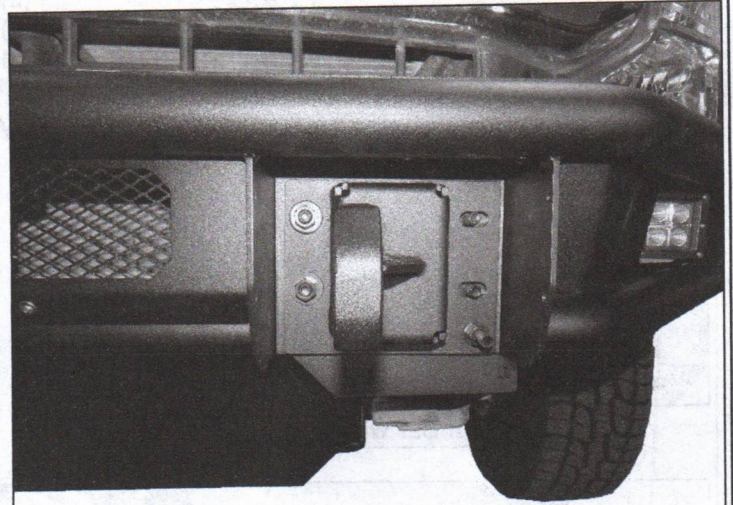
(1) 12mm Hex Nut
(1) 12mm Lock Washer
(1) 12mm x 24mm x 2.5mm Flat Washer

(Fig 2) Attach DS/Left Offset Shackle Mount to the double bolt plate and threaded stud on bumper with the indicated hardware.

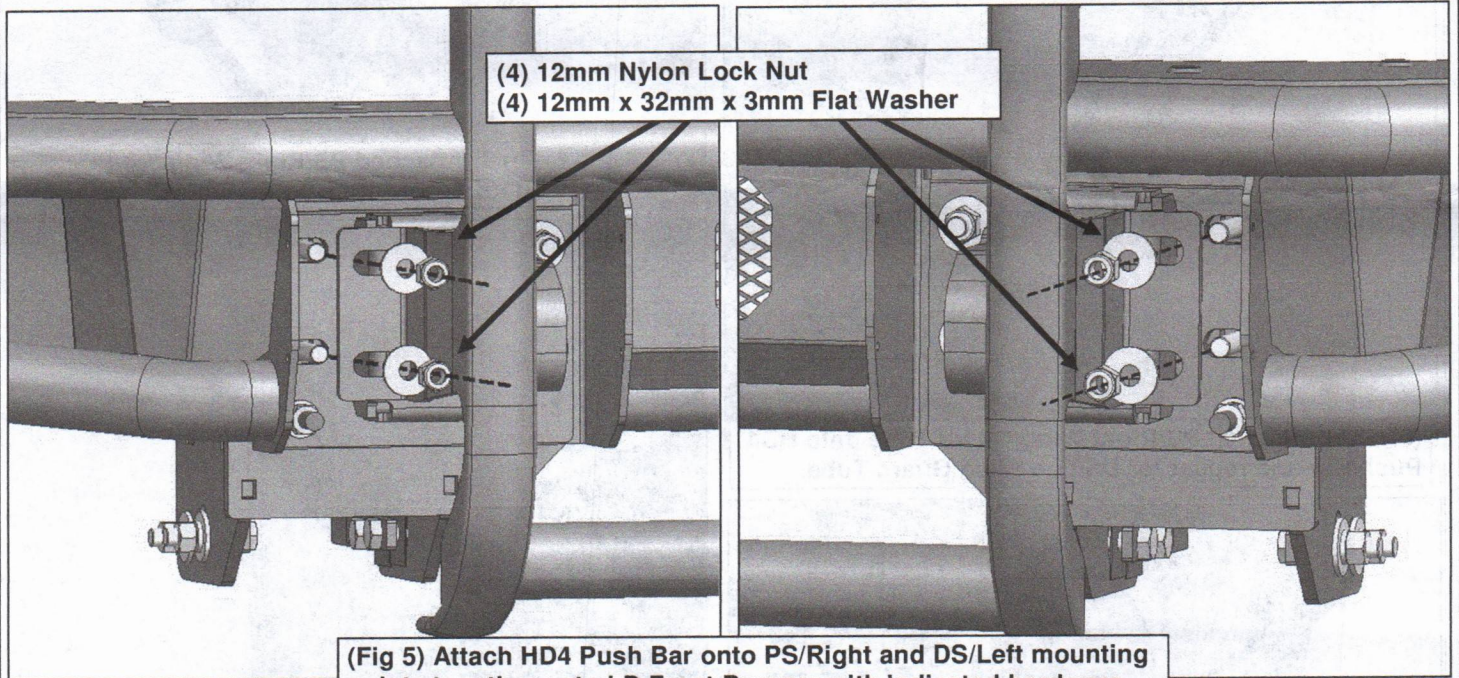
HD4 LD Front Push Bar
2017 – 2022 Ford Super Duty



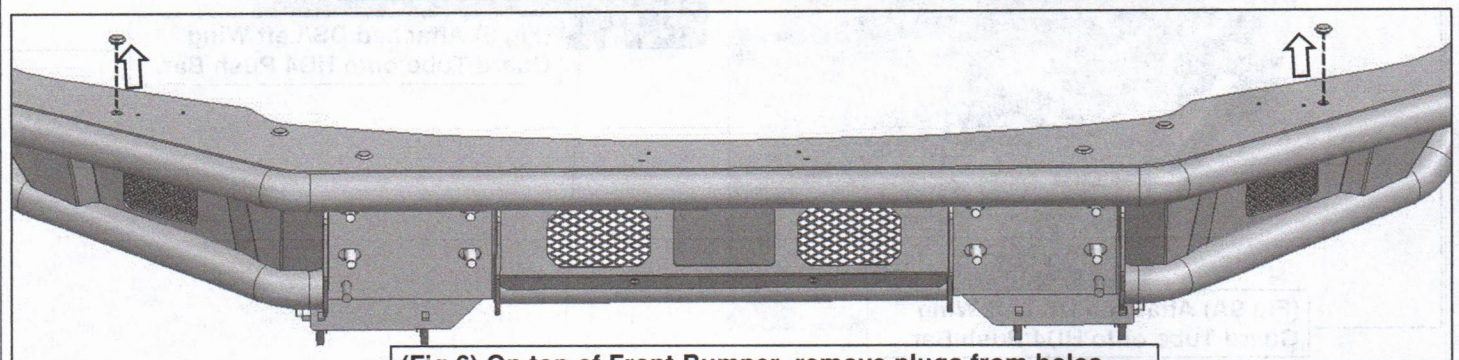
(Fig 3) Attached PS/Right Off Shackle Mount.



(Fig 4) Attached DS/Left Off Shackle Mount.



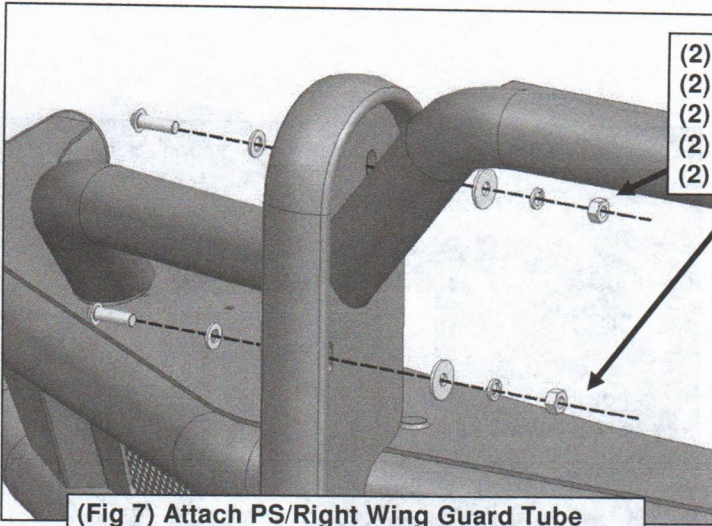
(Fig 5) Attach HD4 Push Bar onto PS/Right and DS/Left mounting points together onto LD Front Bumper with indicated hardware.



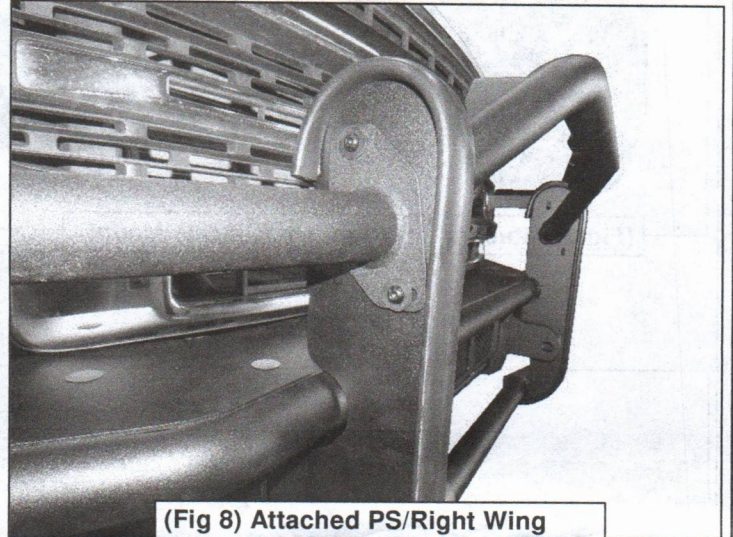
(Fig 6) On top of Front Bumper, remove plugs from holes.

HD4 LD Front Push Bar
2017 – 2022 Ford Super Duty

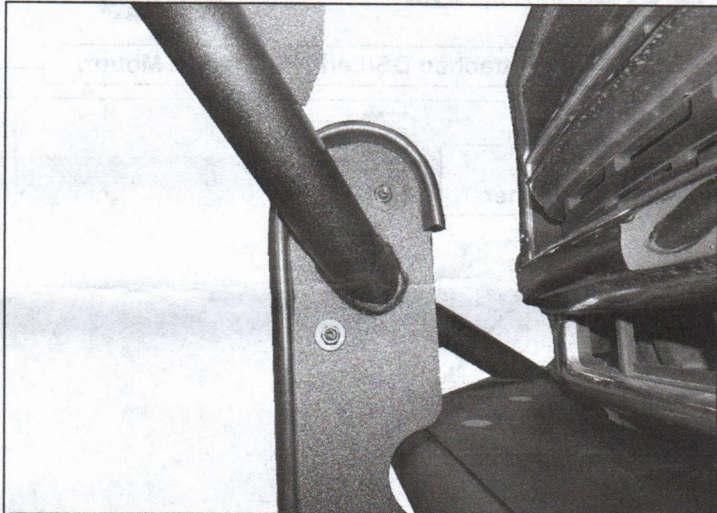
- (2) 8 – 1.25mm x 25mm Button Head Allen Bolts
- (2) 8mm x 16mm x 1.6mm Flat Washers
- (2) 8mm x 24mm x 2mm Flat Washers
- (2) 8mm Lock Washer
- (2) 8mm Hex Nut



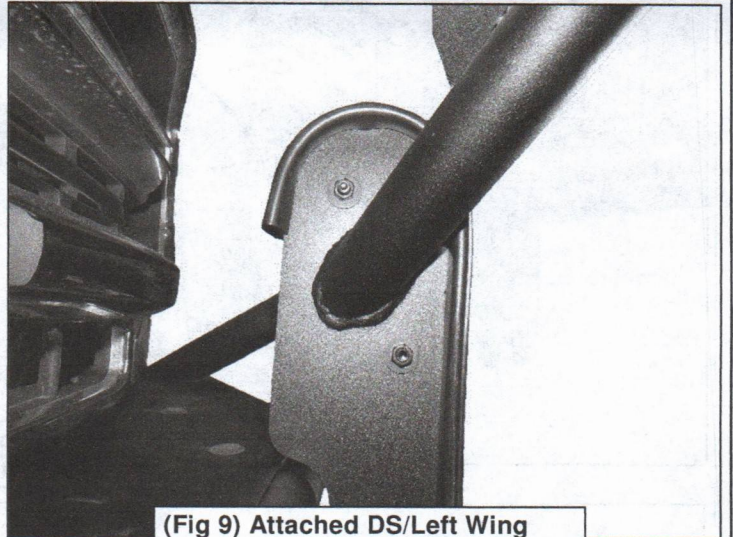
(Fig 7) Attach PS/Right Wing Guard Tube onto HD4 Push Bar with indicated hardware.



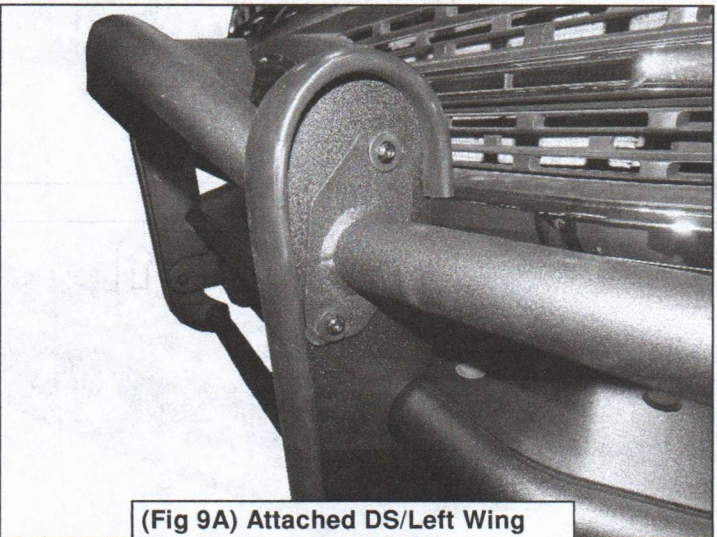
(Fig 8) Attached PS/Right Wing Guard Tube onto HD4 Push Bar.



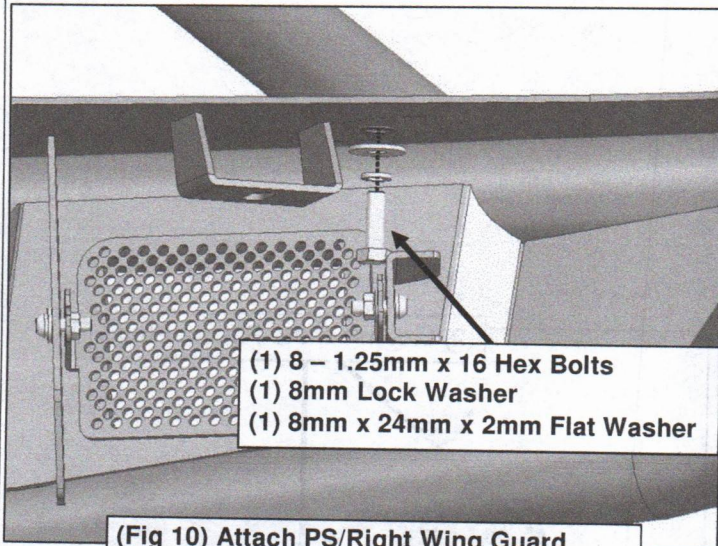
(Fig 8A) Attached PS/Right Wing Guard Tube onto HD4 Push Bar and repeat for DS/Left Wing Guard Tube.



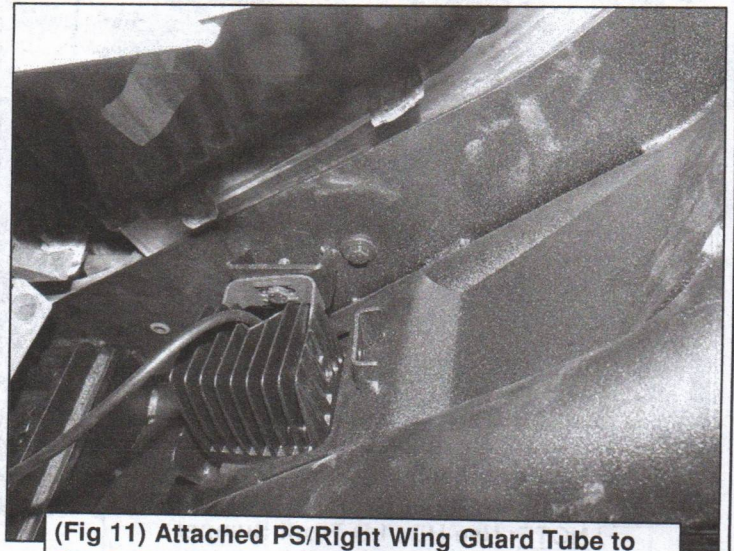
(Fig 9) Attached DS/Left Wing Guard Tube onto HD4 Push Bar.



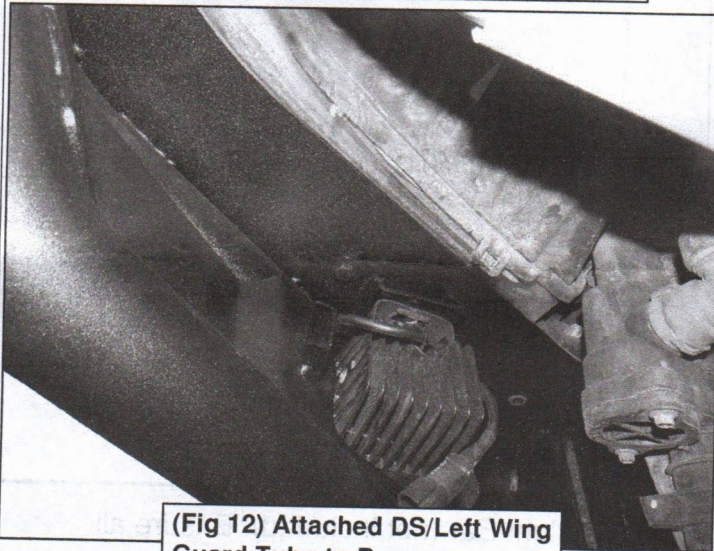
(Fig 9A) Attached DS/Left Wing Guard Tube onto HD4 Push Bar.



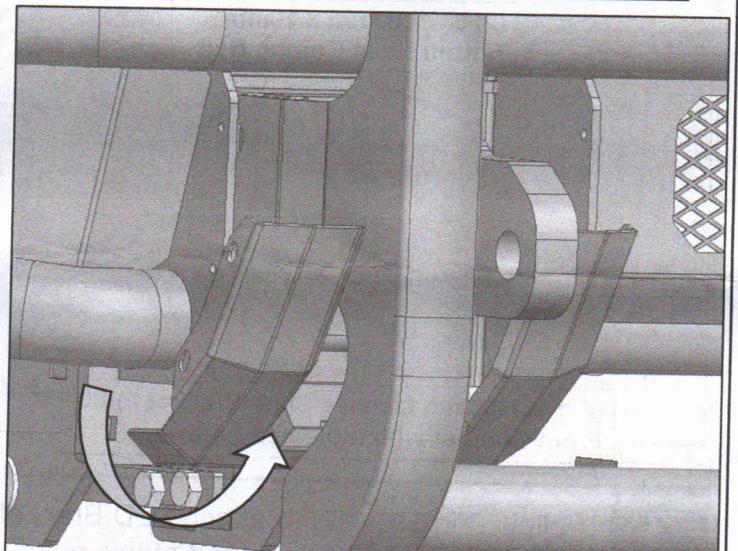
(Fig 10) Attach PS/Right Wing Guard Tube to Bumper with indicated hardware.



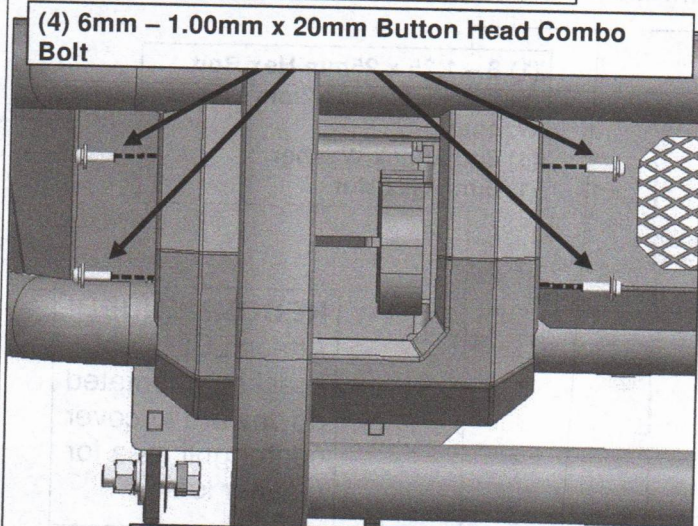
(Fig 11) Attached PS/Right Wing Guard Tube to Bumper and repeat for DS/Left Wing Guard Tube.



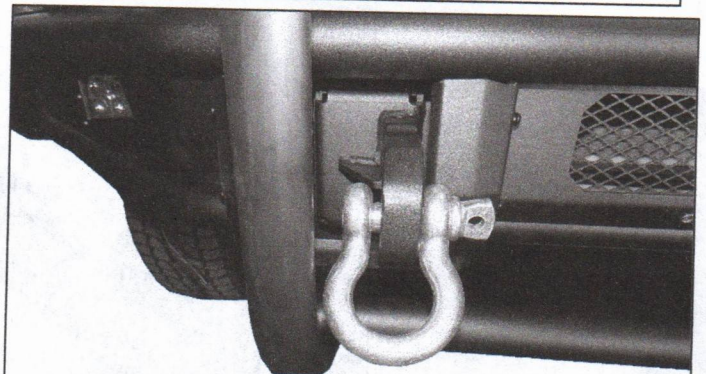
(Fig 12) Attached DS/Left Wing Guard Tube to Bumper.



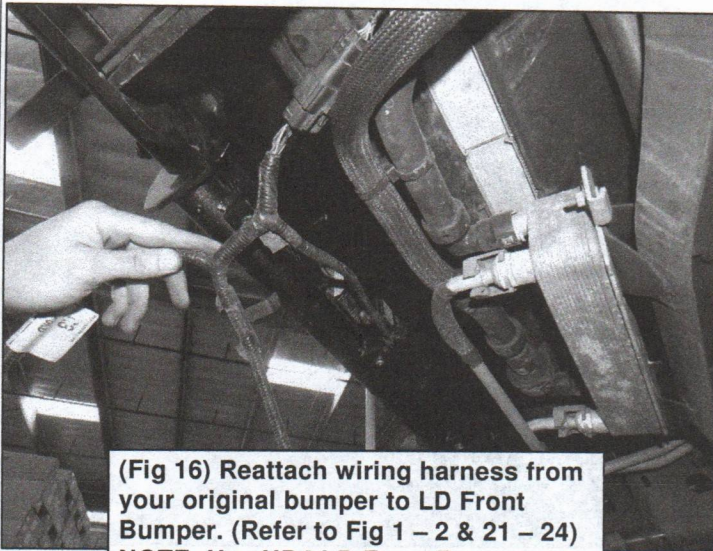
(Fig 13) Slide in Bumper Cover Plate from behind LD Push Bar to attach to Bumper.



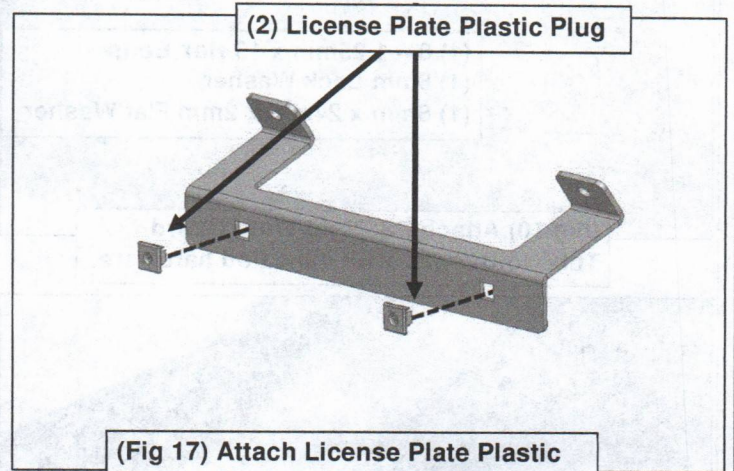
(Fig 14) Attach Bumper Cover Plate with indicated hardware.



(Fig 15) Attached Bumper Cover Plate and repeat on other side.
NOTE: Tow hook not included

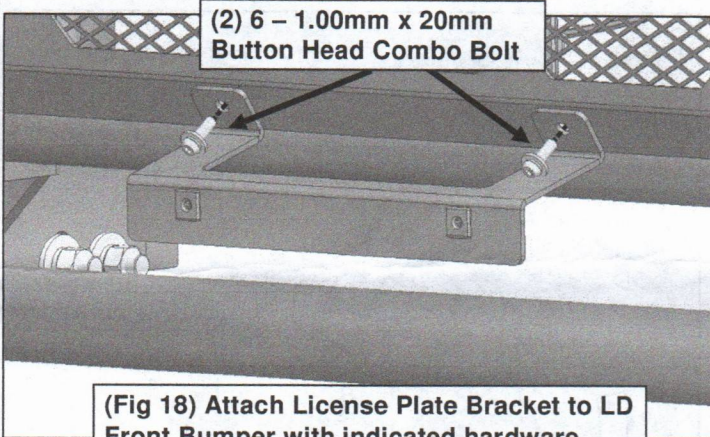


(Fig 16) Reattach wiring harness from your original bumper to LD Front Bumper. (Refer to Fig 1 – 2 & 21 – 24)
NOTE: Use HD4 LD Front Bumper Installation Instructions for reference.



(2) License Plate Plastic Plug

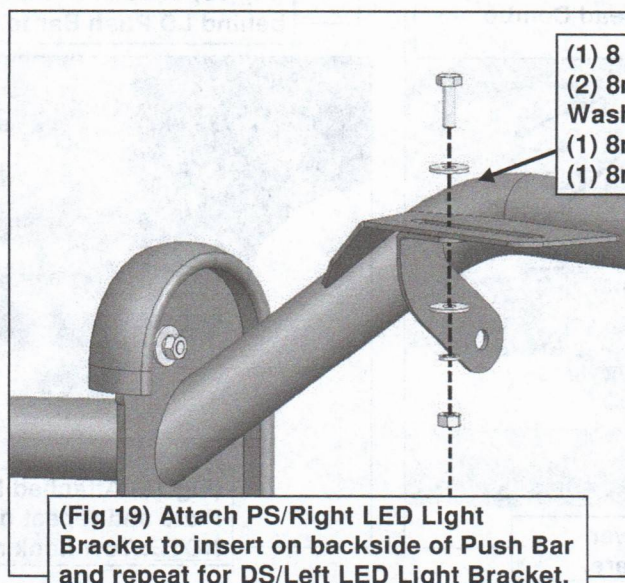
(Fig 17) Attach License Plate Plastic Plugs to License Plate Bracket.



(2) 6 – 1.00mm x 20mm Button Head Combo Bolt

(Fig 18) Attach License Plate Bracket to LD Front Bumper with indicated hardware.

3 Follow (Fig 19 – 22) to attach LED Brackets and LED Light Bar (not included). Ensure all fasteners are hand tightened at this point. Orientation of LED Light Brackets based on your preference.

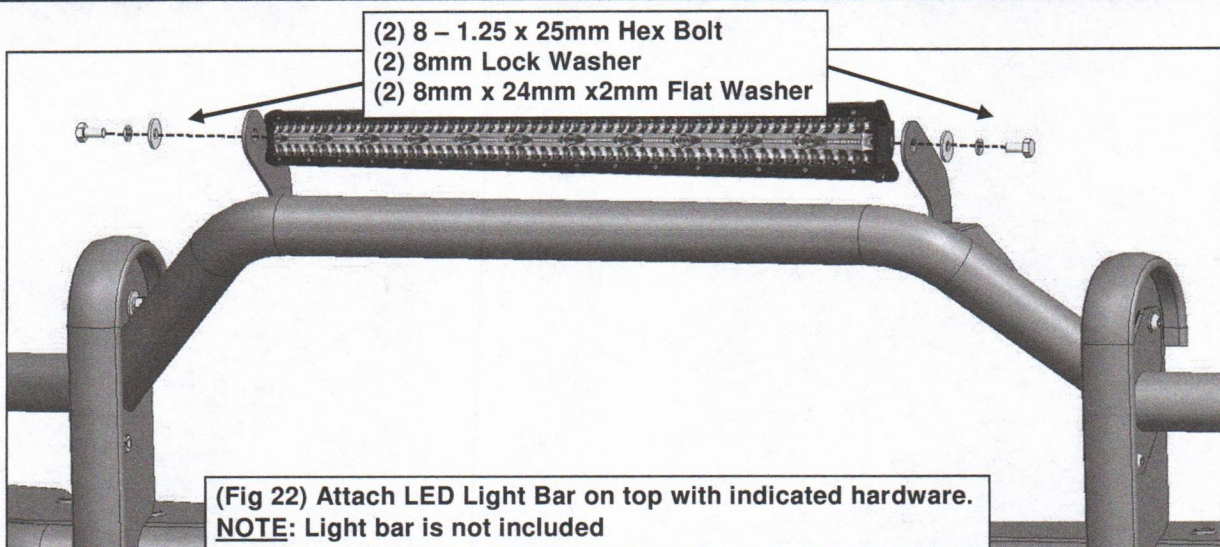
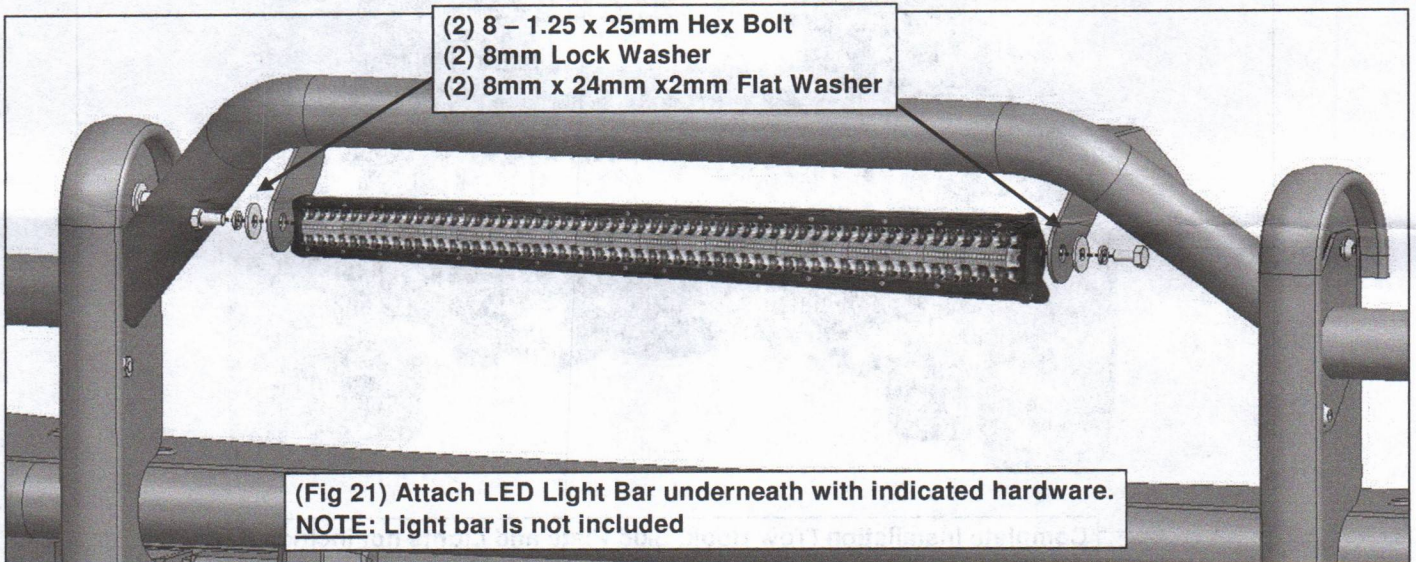
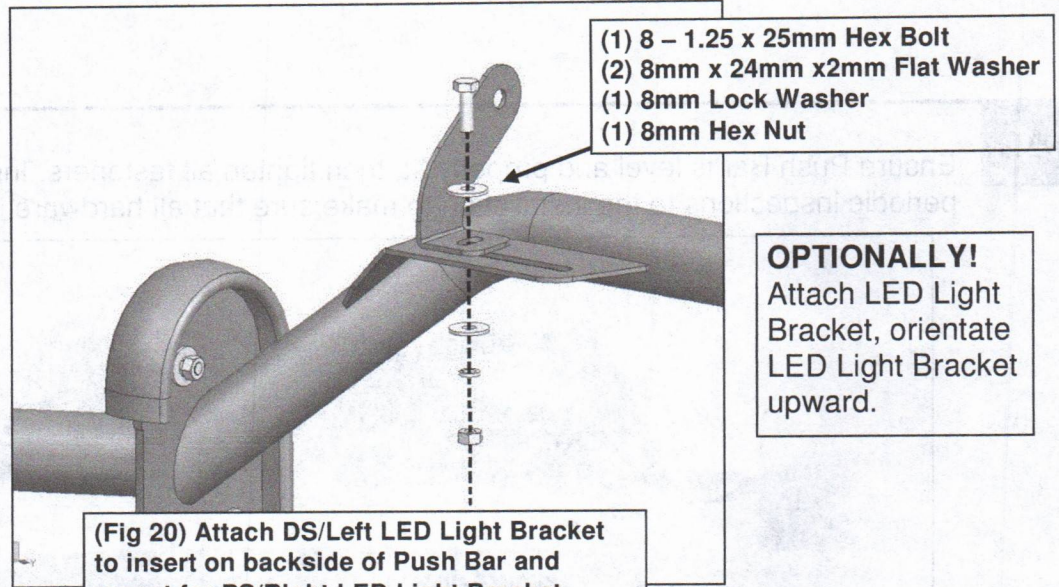


- (1) 8 – 1.25 x 25mm Hex Bolt
- (2) 8mm x 24mm x2mm Flat Washer
- (1) 8mm Lock Washer
- (1) 8mm Hex Nut

(Fig 19) Attach PS/Right LED Light Bracket to insert on backside of Push Bar and repeat for DS/Left LED Light Bracket.

RECOMMENDED!
Attach LED Light Bracket, orientated downward to cover center grill area for cleaner look.

HD4 LD Front Push Bar
2017 – 2022 Ford Super Duty



4

Ensure Push Bar is level and properly fit, then tighten all fasteners. Installation is complete. Do periodic inspections to the installation to make sure that all hardware is secure and tight.



Complete Installation (Tow Hook, Skid Plate and Lights not included)