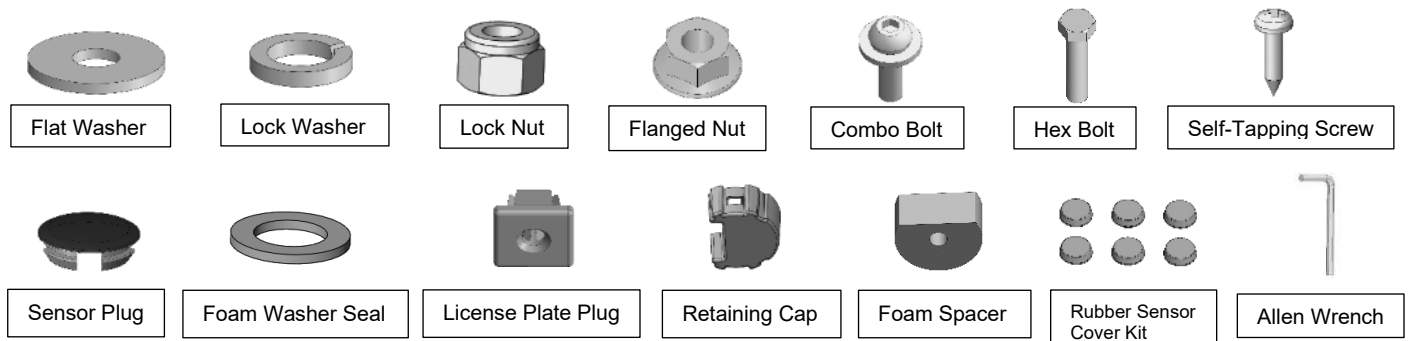
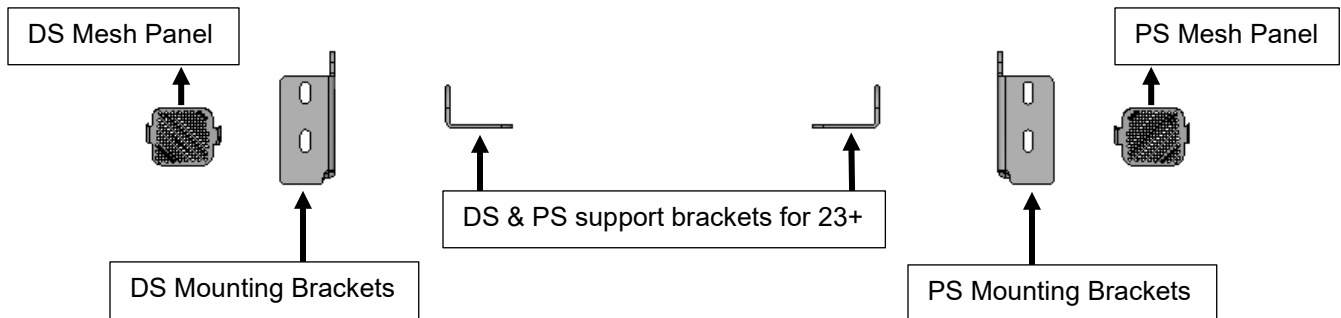


## INSTALLATION INSTRUCTIONS

**PARTS LIST: SD82930; SD82931**

| Description                             | Qty | Description                    | Qty |
|-----------------------------------------|-----|--------------------------------|-----|
| Bumper Base                             | 1   | Zip Ties                       | 10  |
| DS/left Mounting Bracket                | 1   | License Plate Plastic Inserts  | 2   |
| PS/right Mounting Bracket               | 1   | 12mm-1.75mm x 45mm Hex Bolts   | 8   |
| DS/left Support Bracket for 23+ models  | 1   | 12mm x 32mm x 3mm Flat Washers | 16  |
| PS/right Support Bracket for 23+ models | 1   | 12mm Nylon Lock Nuts           | 8   |
| DS/Left Mesh Panel                      | 1   | 10mm-1.75mm x 40mm Hex Bolts   | 2   |
| PS/Right Mesh Panel                     | 1   | 10mm Nylon Lock Nuts           | 2   |
| Retaining Cap (PP)                      | 4   | 10mmx30mmx2.5mm Flat Washers   | 8   |
| Plastic Plugs (Without sensors) (PP)    | 4   | 6mm-1.00mm x 20mm Combo Bolts  | 4   |
| 20mm x 10mm Foam Washers                | 4   | 6mm Hex Flange Nuts            | 4   |
| Foam Washers 15.5mm x 25mm x 2mm        | 4   | Flat Head Self Tapping Screws  | 8   |
| 19mm sensor cover caps                  | 1   | Allen Wrench S=4               | 1   |
| Parking sensor harness extension        | 2   |                                |     |



## TOOLS REQUIRED



Ratchet



Sockets



Extensions

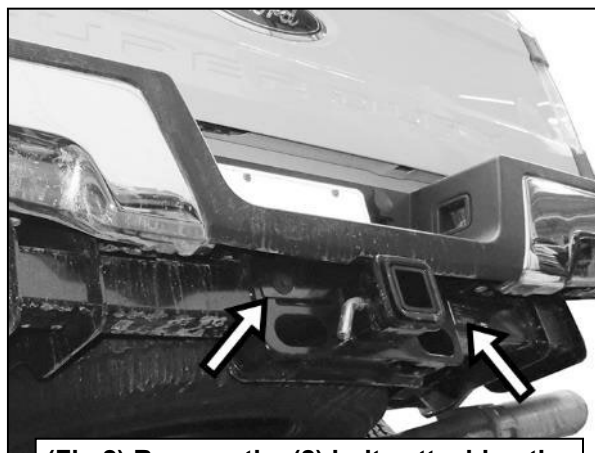


Wrench

- 1 Follow Fig (1-7) to remove the OEM rear bumper.



(Fig 1) Unplug and move all wiring harnesses away from bumper. Trailer plug pictured



(Fig 2) Remove the (2) bolts attaching the bottom of the step to the receiver hitch if equipped. 2017-22 model pictured

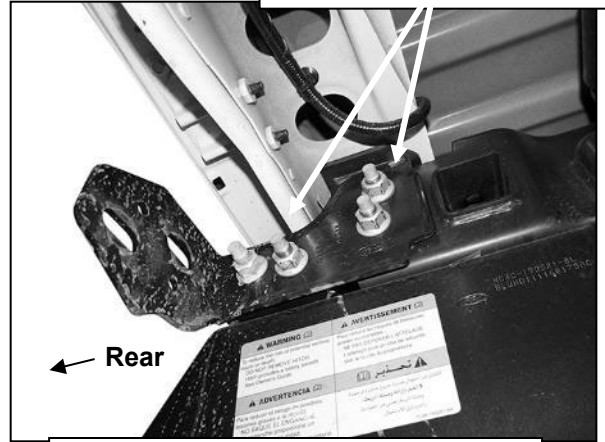


Rear

Remove the (4) factory hex nuts (2 per side)

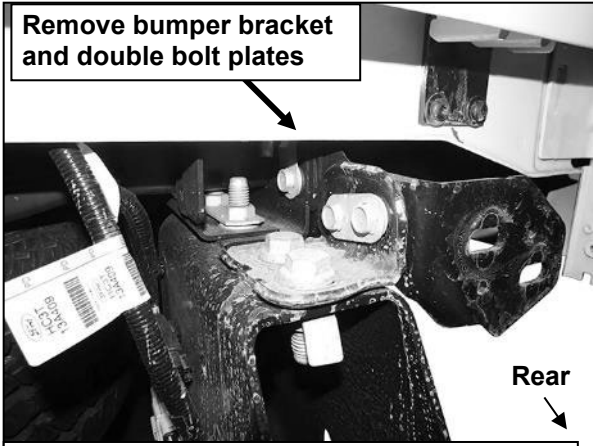
(Fig 3) Remove hex nuts to remove bumper assembly. 2017-22 model pictured

Remove bumper bracket and double bolt plates



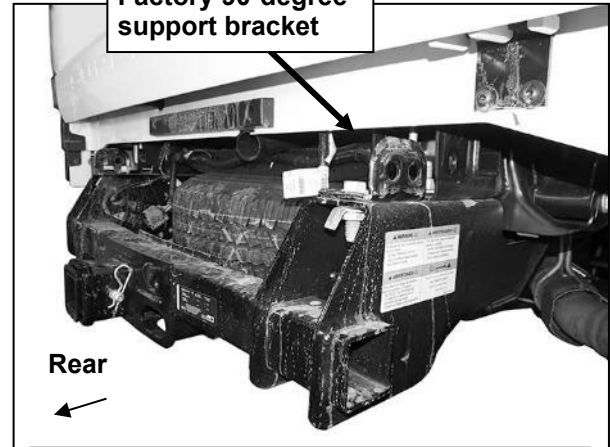
(Fig 4) Remove bumper bracket from frame. 2017-22 model pictured

Remove bumper bracket and double bolt plates

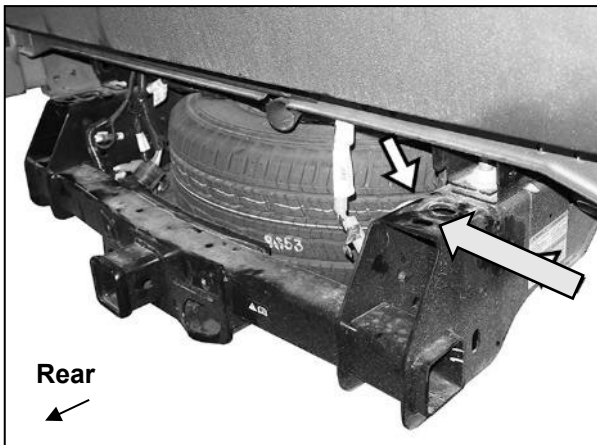


(Fig 5) Remove factory bumper brackets, do not remove 90-degree support bracket. 2017-22 model pictured

Factory 90-degree support bracket



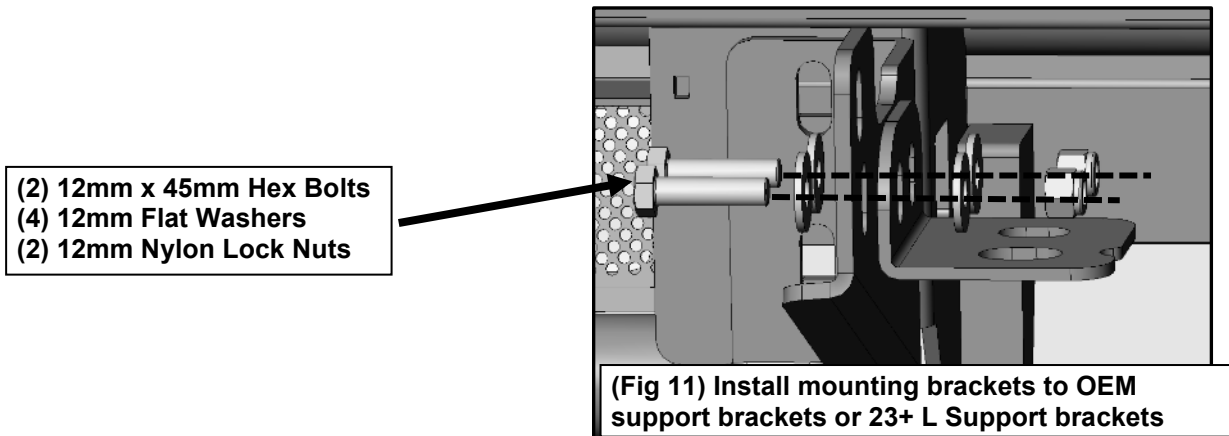
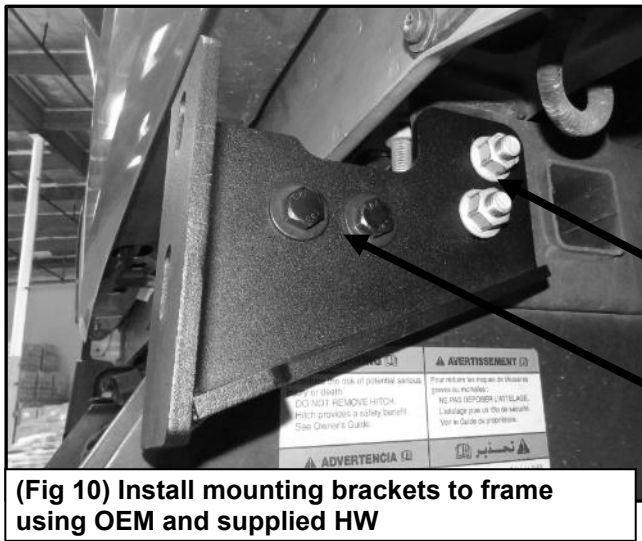
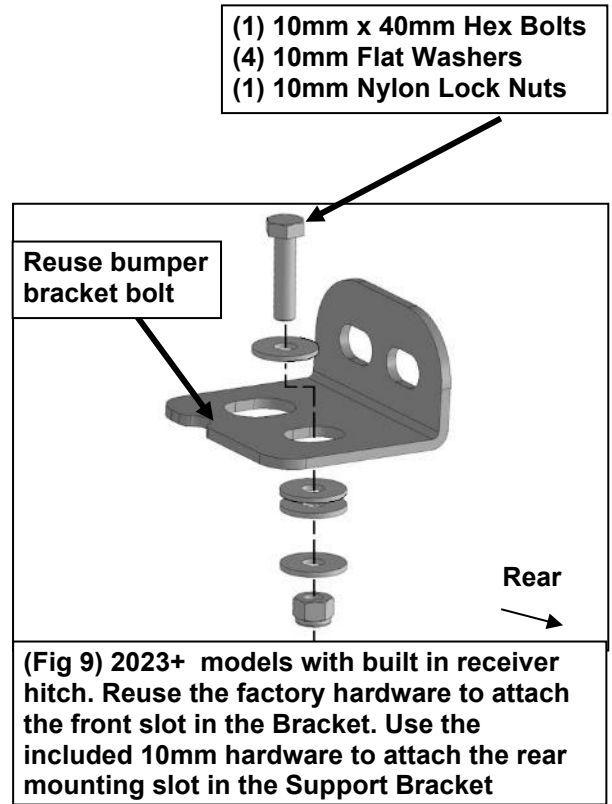
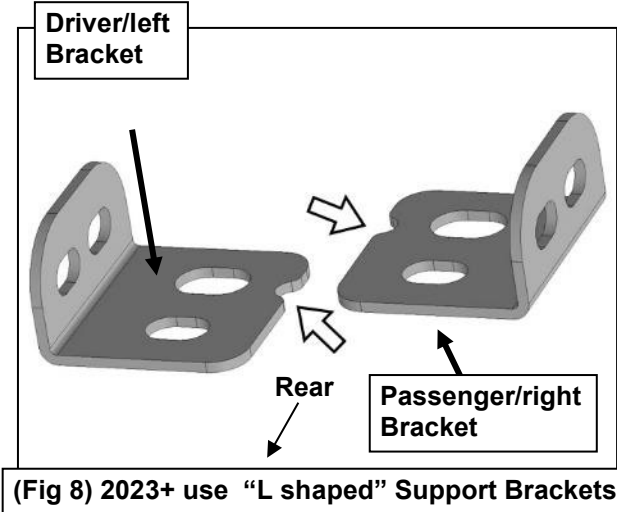
(Fig 6) Do not remove factory 90-degree support Brackets. 2017-22 model pictured



(Fig 7) 2023+ models will be required to use the supplied support brackets

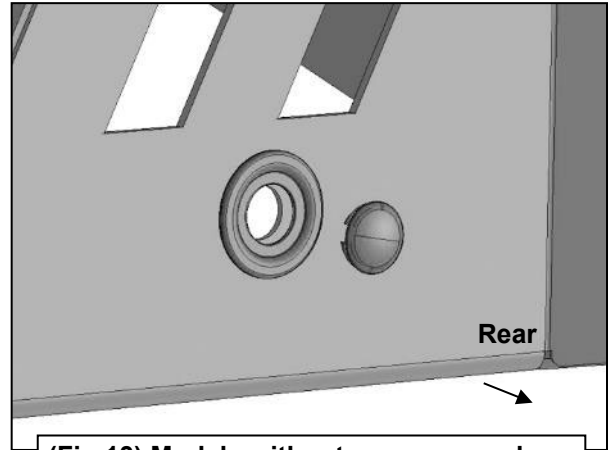
2

Follow Fig (8-15) to prepare the HD4 bumper for install and for the installation of the mounting brackets and support brackets.



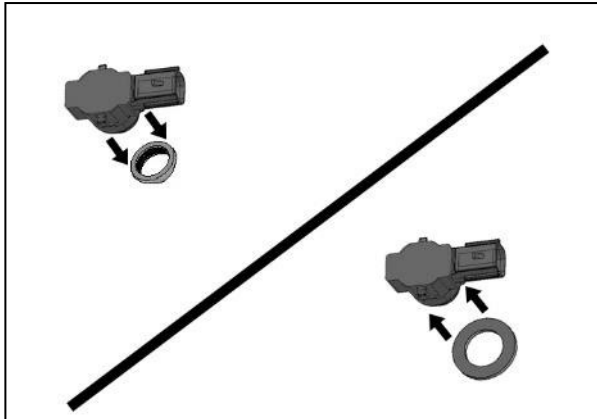


(Fig 12) Remove sensors, wire harness, license plate lights, trailer plug and spare tire access lock (pictured) if equipped

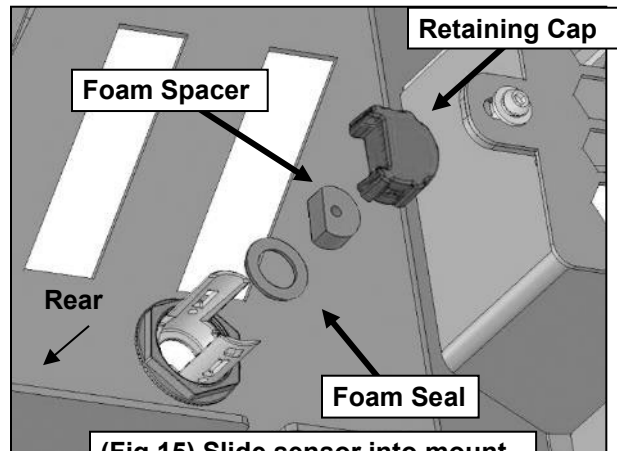


(Fig 13) Models without sensors, push sensor hole plugs into mounts

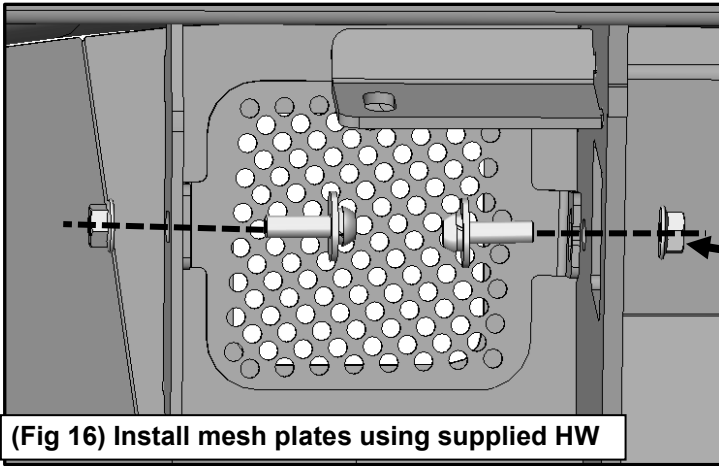
For Models with sensors:



(Fig 14) Remove silicone seal from sensor. Slide large Seal over end of sensor (arrow)



(Fig 15) Slide sensor into mount, insert Foam Spacer and snap Cap on to lock sensor in mount



(2) 6mm Combo Bolts  
(2) 6mm Flanged Nuts

(Fig 16) Install mesh plates using supplied HW

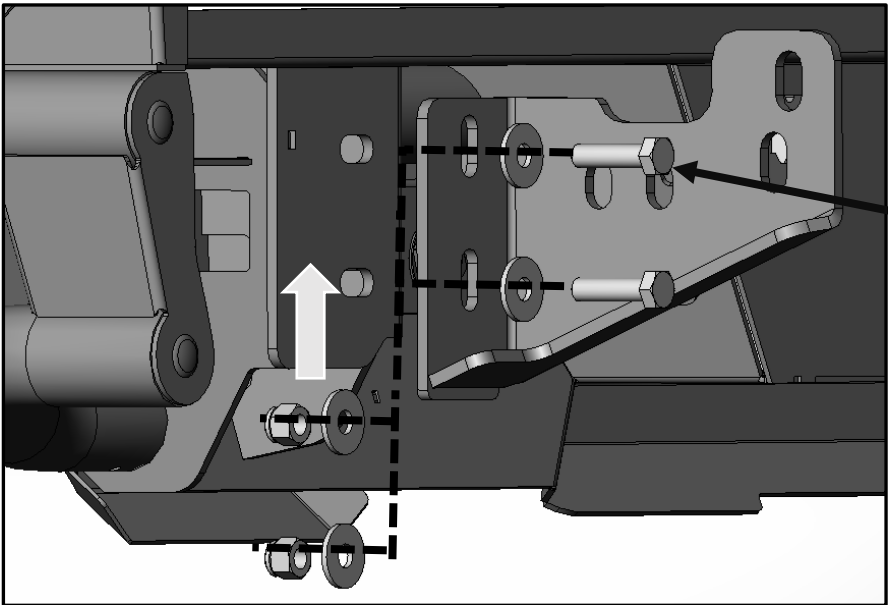


(Fig 17) used as reference

(Fig 17) Push license plate lights into openings and plug into bumper wiring harness

**3**

Follow (Fig 18) to install the HD4 bumper to the mounting brackets. Installation complete, make sure everything is tight and make sure to do periodic inspection on the HW.



(2) 12mm x 45mm Hex Bolts  
(4) 12mm Flat Washers  
(2) 12mm Nylon Lock Nuts

(Fig 18) Install the bumper to the mounting brackets using supplied HW



**Installation Complete**