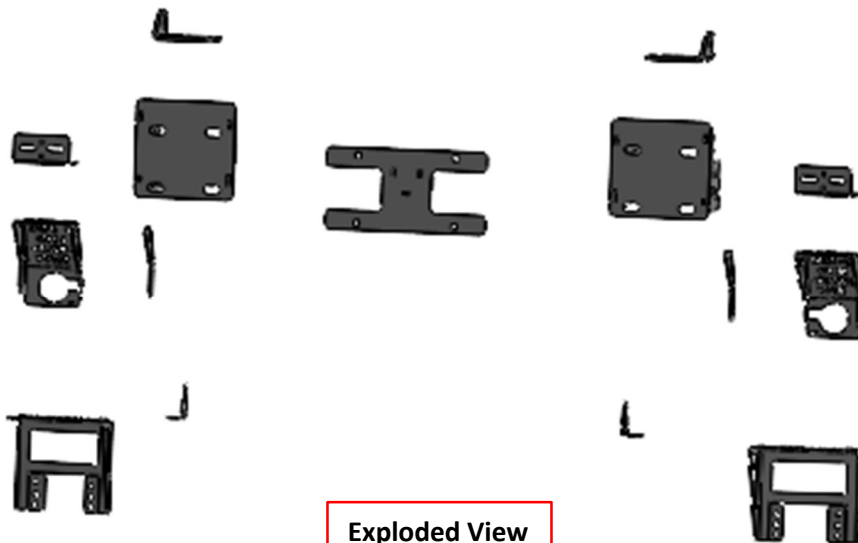
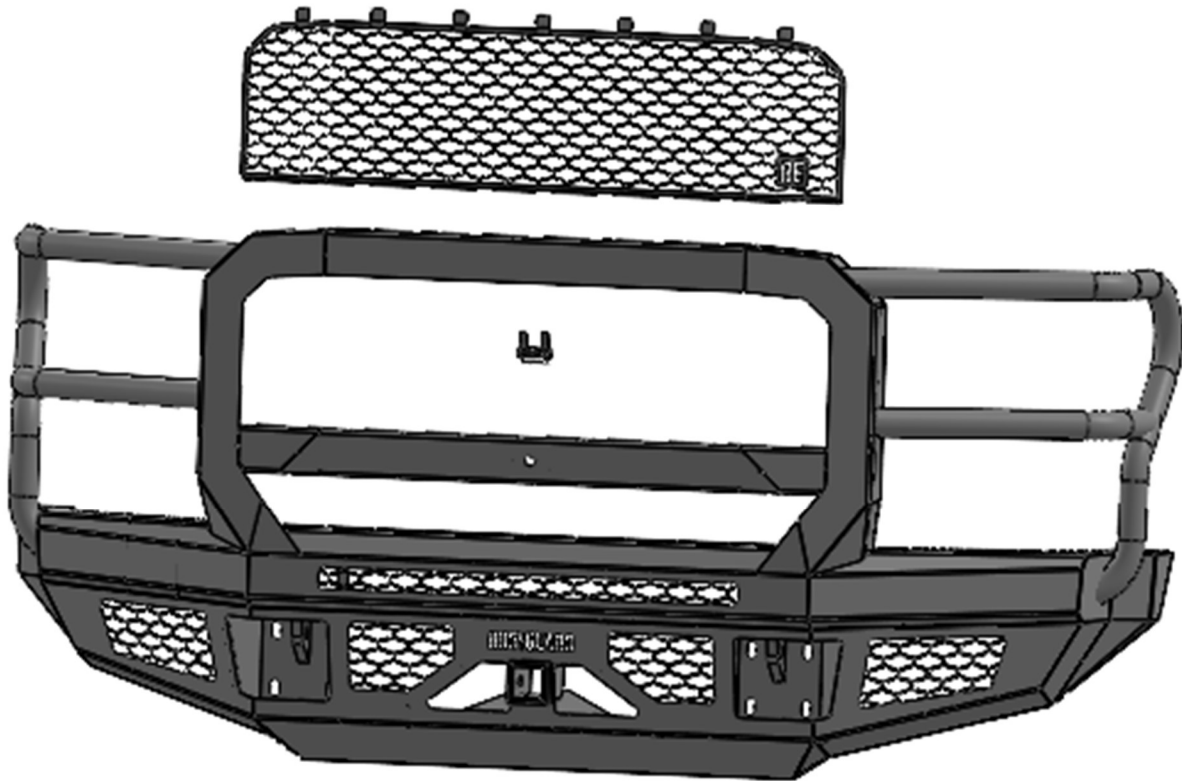
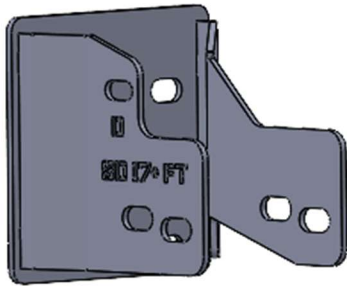


# INSTALLATION GUIDE

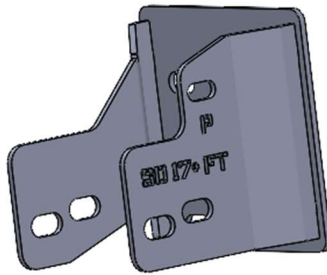
## PARTS



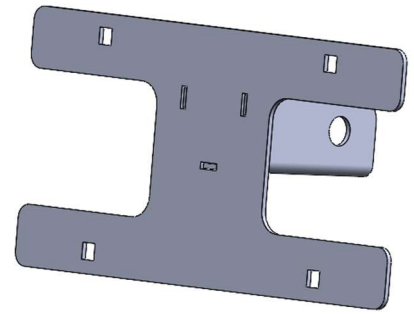
Exploded View



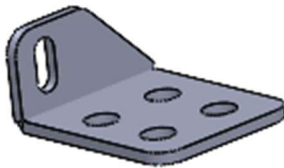
Driver Side Truck Mount



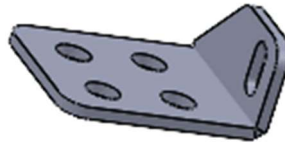
Passenger Side Truck



Light Bar Mount x2



Driver Side Four Hole Plate



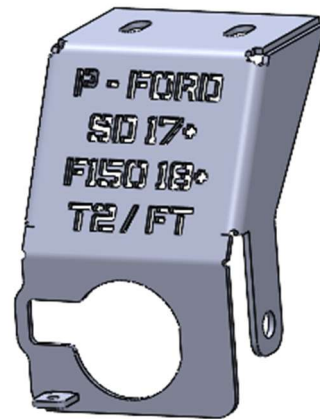
Passenger Side Four Hole Plate



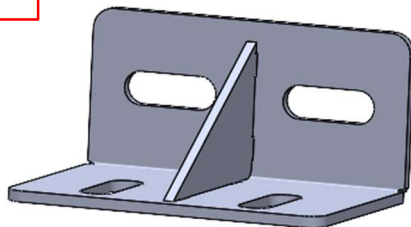
Driver Side Fog Light Bracket  
(2017-2022 Halogen)



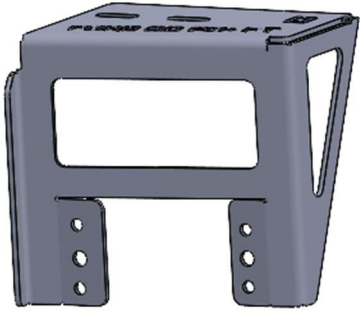
Fog Light Side Mount x2



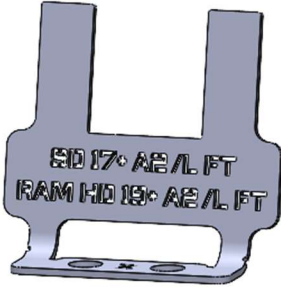
Passenger Side Fog Light Bracket  
(2017-2022 Halogen)



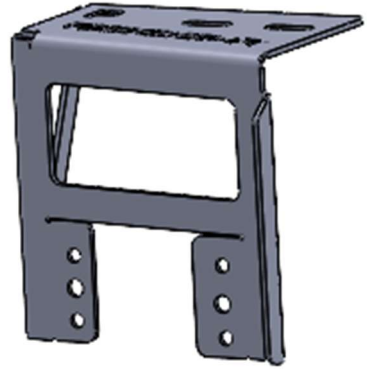
Fog Light Bracket Mount x2 (All)



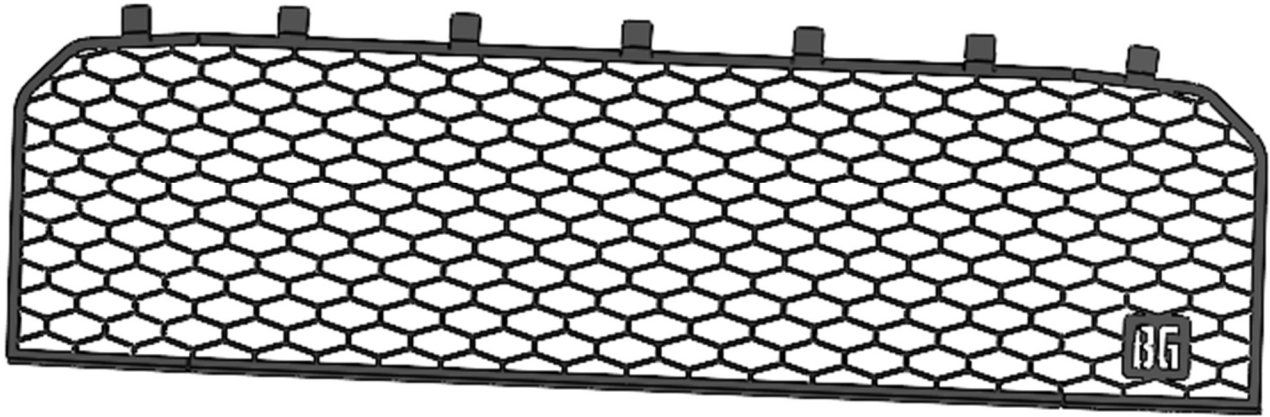
Driver Side Fog Light Bracket  
2020-22 LED



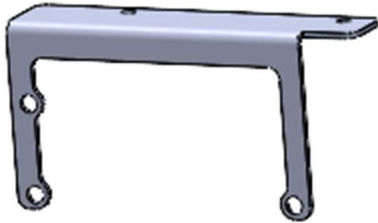
Camera Bracket



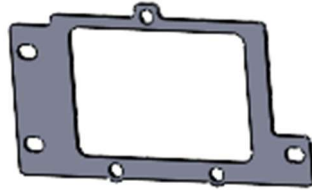
Passenger Side Fog Light Bracket  
2020-22 LED



Extreme Guard Mesh



ACC Bracket (All)



ACC Adaptor  
(2020-22 only)

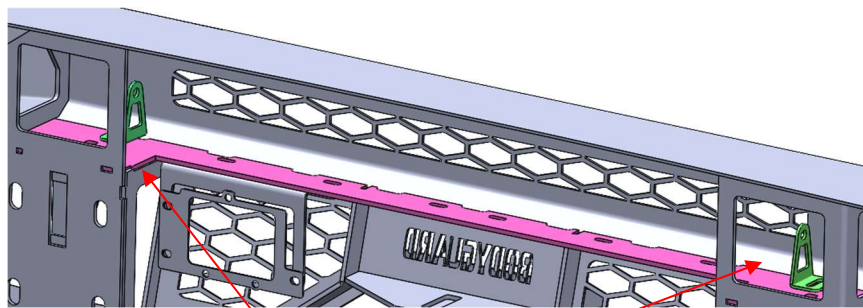
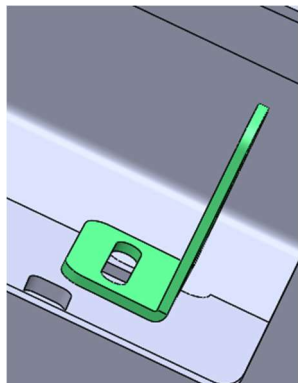
# HARDWARE




<b>FT-HK-GGC</b>	<b><u>Grill Guard Camera</u></b>	<b><u>Qty</u></b>
	1/4-20 x 5/8 Long, Stainless Steel SBHCS	2
	1/4-20 Hex Grade 5 Serrated Flange Nut, Stainless	2
<b>FT-HK-GGM</b>	<b><u>Grill Guard Mesh</u></b>	<b><u>Qty</u></b>
	1/4-20 x 5/8 Long, Stainless Steel SBHCS	4
	1/4-20 Hex Grade 5 Serrated Flange Nut, Stainless	4
<b>FT-HK-FLP</b>	<b><u>FT Front License Plate</u></b>	<b><u>Qty</u></b>
	Plastic License Plate Nuts	4
	#14 x 5/8" Zinc License Plate Screw	4
<b>FT-HK-LBM</b>	<b><u>FT Front Light Bar Mount</u></b>	<b><u>Qty</u></b>
	1/4-20 Hex Grade 5 Serrated Flange Nut, Stainless	2
	1/4" Zinc Grade 5 Flat Washer	2
	1/4-20 x 3/4" Long, Stainless Steel SBHCS	2

<b>FT-HK-FFH17</b>	<b><u>FT Front Mount Kit 2017+ Ford SD</u></b>	<b><u>Qty</u></b>
	1/2-13 x 1-1/4" Long, Grade 8 HB Zinc-Yellow	8
	1/2" Washer, Grade 8 Zinc-Yellow	12
	1/2"-13 x 1-1/4" Stainless Steel Hex Bolt	8
	1/2" Stainless Steel Flat Washer	16
	1/2"-13 Grade 8 Steel Serrated Flange Nut Zinc	16
	3/8"-16 x 1-1/4" Long, Grade 8 HB	2
	3/8" Yellow Zinc Grade 8 Flat Washer	2
	3/8"-16 Zinc Grade 8 Serrated Hex Flange Nut	2
	5/16"-18 x 1" Zinc Grade 5 Hex Bolt	8
	5/16" Zinc Grade 5 Flat Washer	16
	5/16"-18 Zinc Grade 8 Serrated Hex Flange Nut	8
	1/4-20 x 5/8 Long, Stainless Steel SBHCS	8
	1/4-20 Hex Grade 5 Serrated Flange Nut, Stainless	4
1/4-20 (.093-.126: Panel Range) Zinc Electroplate Spring Steel Cage Nut	4	
<b>ACC</b>	<b><u>FT ACC Kit 2017+ Ford SD</u></b>	<b><u>Qty</u></b>
	5/16"-18 x 1" Zinc Grade 5 Hex Bolt	3
	5/16" Zinc Grade 5 Flat Washer	3
	5/16"-18 Zinc Grade 8 Serrated Hex Flange Nut	3
	1/4-20 x 3/4 Long, Stainless Steel SBHCS	3
	1/4-20 Hex Grade 5 Serrated Flange Nut, Stainless Steel	3

# LIGHT BAR INSTALL

1. Install the light bar using the pictured brackets and 1/4" hardware.

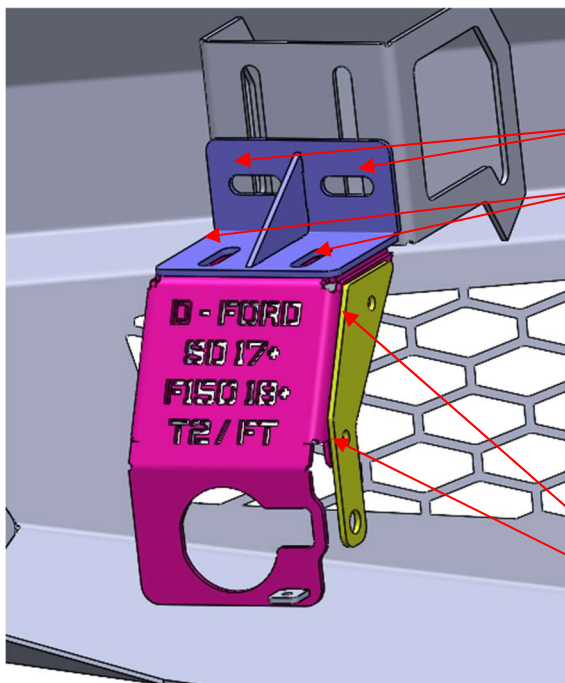





-  (2) - 5/16"-16 x 1" Yellow Zinc Grade 8 Hex Bolt
-  (2) - 5/16" Yellow Zinc Grade 8 Flat Washer
-  (2) - 5/16"-16 Zinc Grade 8 Serrated Hex Flange

# FACTORY FOG LIGHT INSTALL

1. Start by installing the OEM fog lights and light bar option.
2. Determine which fog light you have, the factory halogen(a) or LED(b), on your vehicle from the images below. Remove the fog light from the factory bumper and bracket and install on its respective provided bracket shown in orange below.


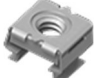
## Fog Light Type A – Halogen



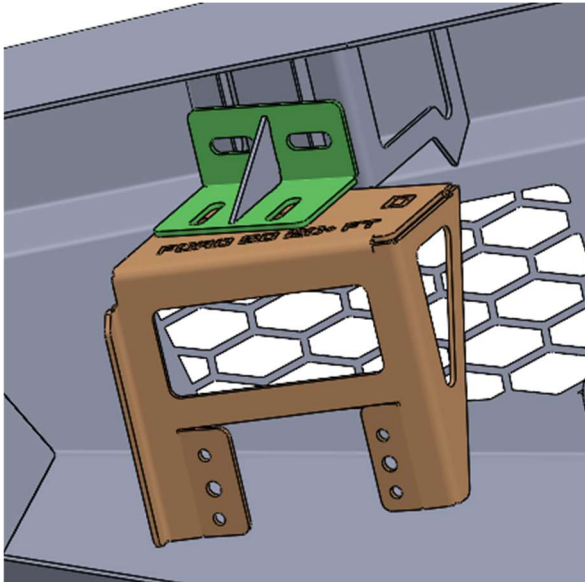
-  (4) - 5/16"-16 x 1" Yellow Zinc Grade 8 Hex Bolt
-  (8) - 5/16" Yellow Zinc Grade 8 Flat Washer
-  (4) - 5/16"-16 Zinc Grade 8 Serrated Hex Flange



Factory Halogen Fog Light

-  (2) - 1/4-20 x 5/8 Long, Stainless Steel SBHCS
-  (2) - 1/4-20 (.093-.126: Panel Range) Zinc Electroplate Spring Steel Cage Nut

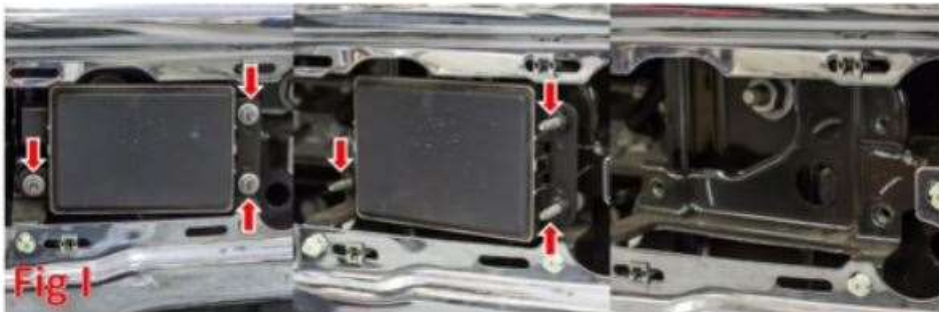
## Fog Light Type B - LED



Factory LED Fog Light

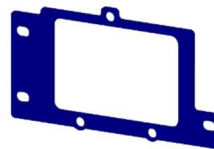
## ADAPTIVE CRUISE CONTROL INSTALL (OPTIONAL)

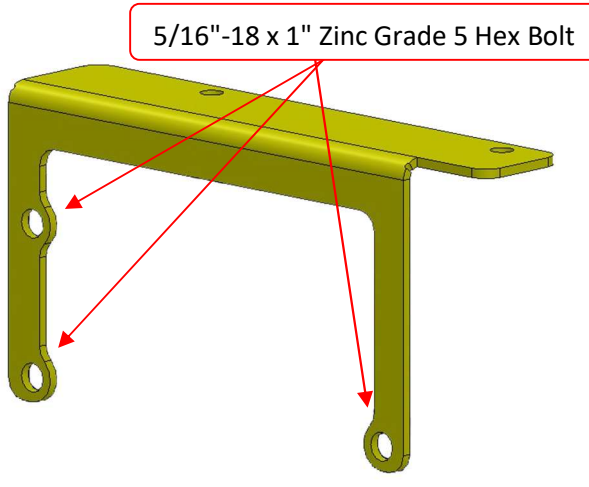
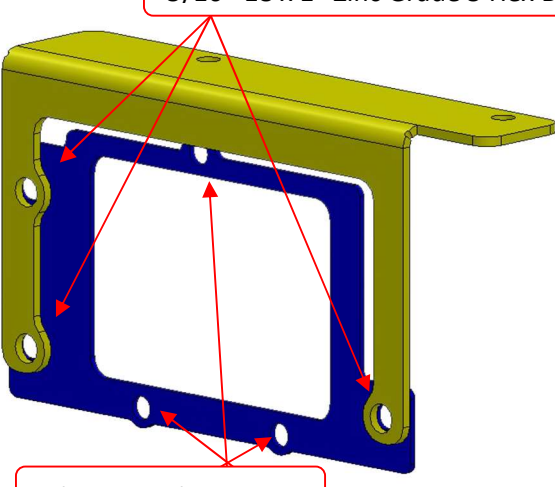
NOTE: If the battery is not disconnected prior to removal and installation, it is possible that after installation, the ACC module will have to be recalibrated.



1. Remove the ACC factory module mounting nuts (3) with an 11mm socket, unplug the module connector, remove the module mounting studs with an E6 External Torx socket (3), then remove the module from the vehicle. (Fig. 1)

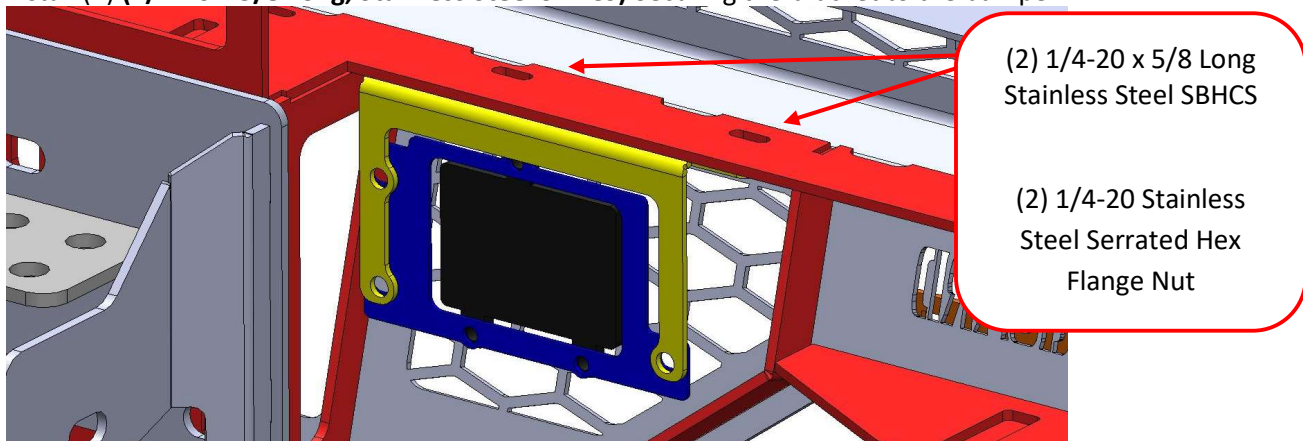
We send an additional bracket shown in blue. This will be used as an adapter bracket for the smaller version of the ACC module.



Large ACC Module Install	Small ACC Module Install
 <p>A yellow L-shaped bracket with three circular holes. Red arrows point from a callout box to these three holes.</p> <p>5/16"-18 x 1" Zinc Grade 5 Hex Bolt</p>	 <p>A yellow L-shaped bracket with a blue rectangular adapter bracket attached to its inner side. Red arrows point from two callout boxes to the connection points.</p> <p>5/16"-18 x 1" Zinc Grade 5 Hex Bolt</p> <p>1/4"-20 x 5/8", SBHCS</p>
<p>1. Install (3) <b>(5/16"-18 x 1" Zinc Grade 5 Hex Bolt)</b> Securing the Large ACC unit to the bracket.</p>	<p>1. Install (3) <b>(5/16"-18 x 1" Zinc Grade 5 Hex Bolt)</b> Securing the adapter bracket to the large ACC unit bracket.</p> <p>2. Install (3) <b>(1/4"-20 x 5/8 Long, Stainless Steel SBHCS)</b> Securing the Small ACC unit to the adapter bracket.</p>

**Note: Some slots on this bracket will not be used for this install. This is a universal ACC bracket used on several different models.**

2. Install (2) **(1/4-20 x 5/8 Long, Stainless Steel SBHCS)** Securing the bracket to the bumper.



3. Next Connect the ACC unit back to the factory wiring harness.

**Note: It may take up to 50 miles for the ACC unit to calibrate itself.**

## CAMERA BRACKET INSTALL (OPTIONAL)

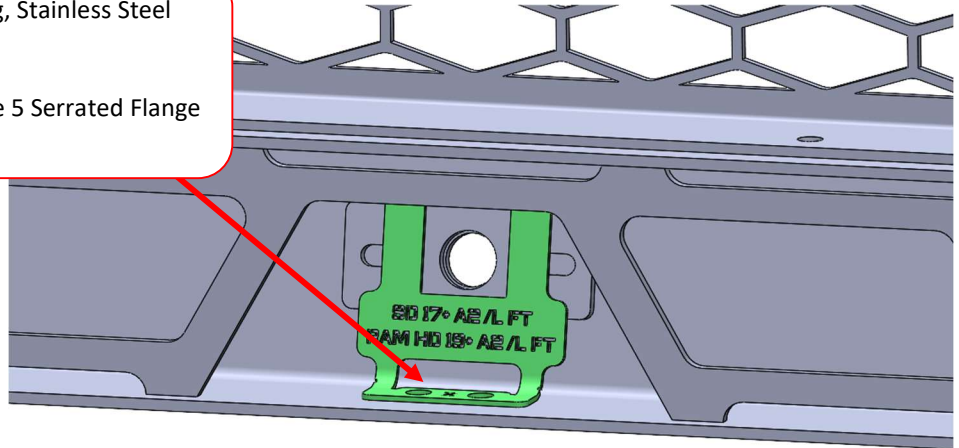
1. Place Camera into square spacer that is welded to the bumper. Then install the blue bracket with **(2) (1/4-20 x 5/8 Long, Stainless Steel SBHCS)** behind the camera. This bracket will press the camera against the spacer securing the camera to the grille guard.



(2) - 1/4-20 x 3/4 Long, Stainless Steel SBHCS



(2) - 1/4-20 Hex Grade 5 Serrated Flange Nut, Stainless Steel

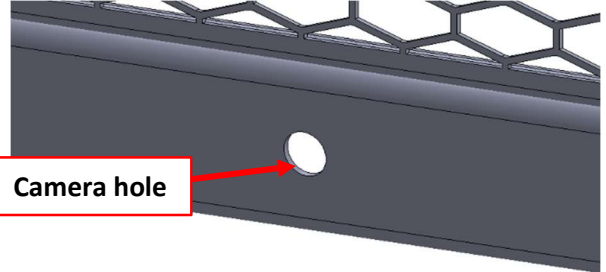


## CAMERA PLUG INSTALL

1. If your vehicle does not come equipped with a front camera, install the provided plug into the camera hole.



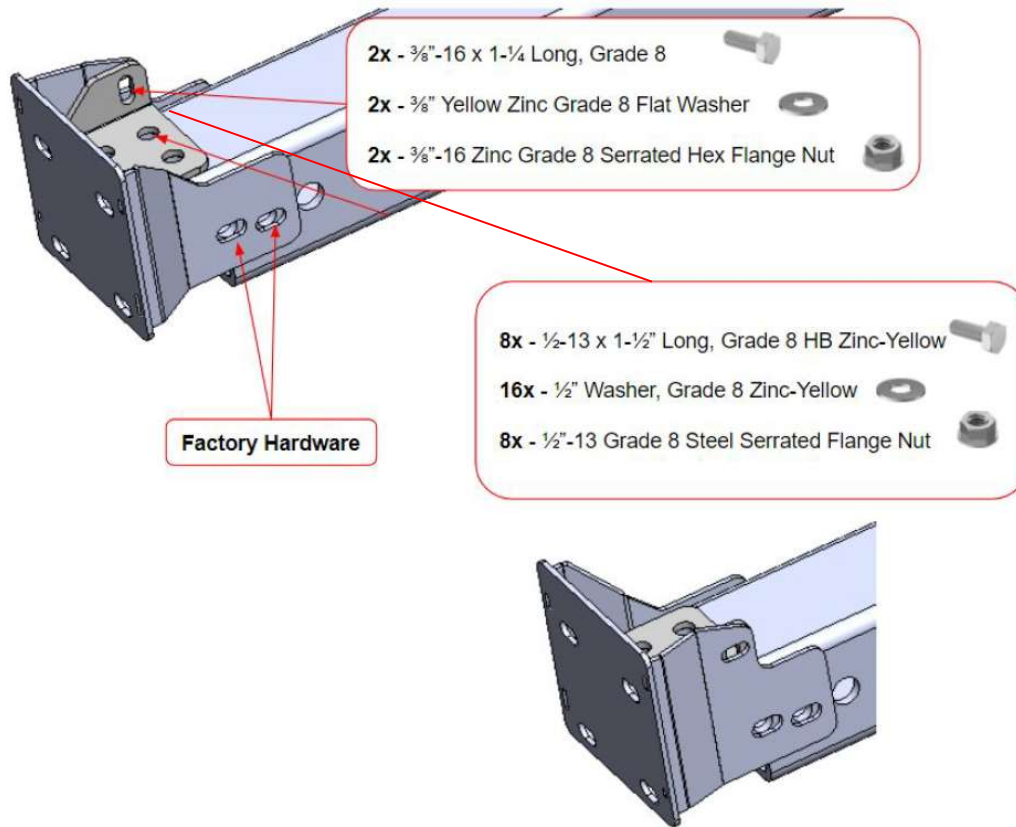
Camera plug



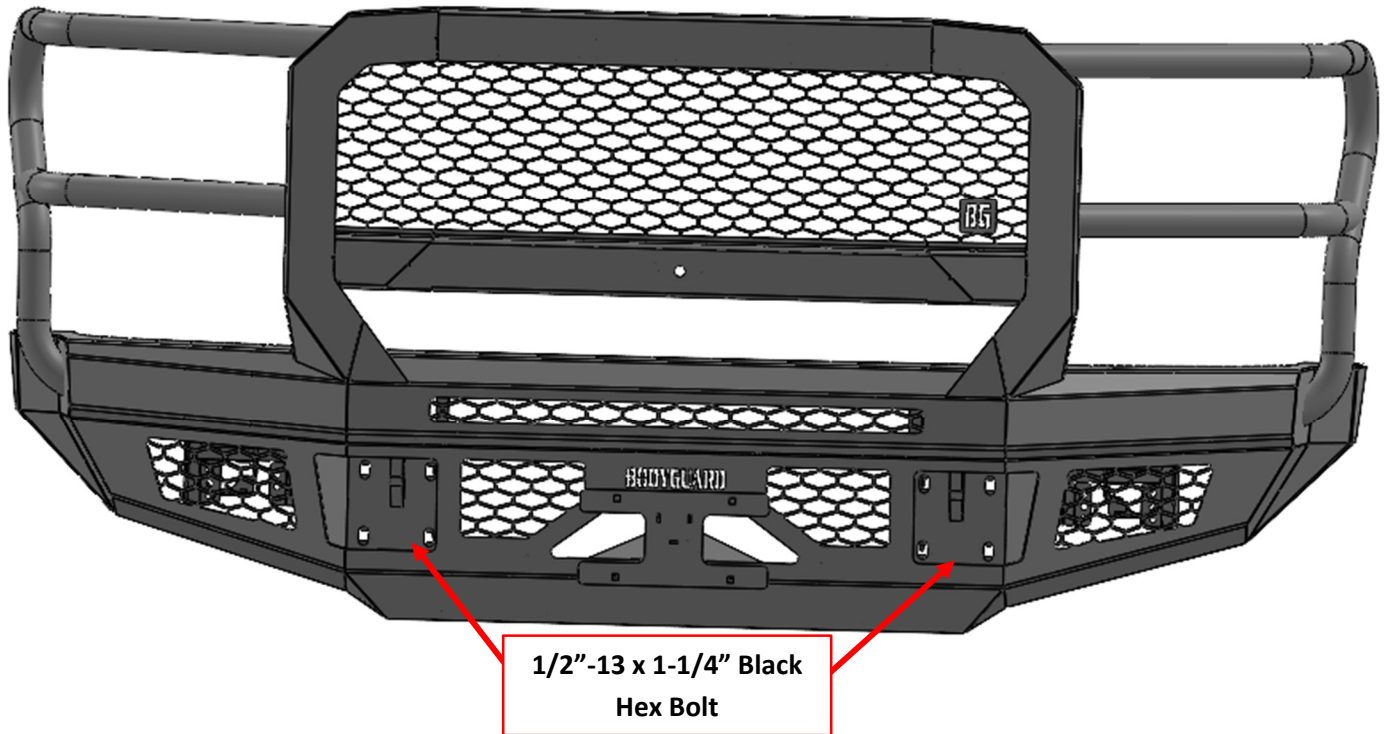
Camera hole

# BUMPER MOUNT INSTALL

1. Attach the supplied truck mounts loosely with the hardware listed below.



# BUMPER INSTALL



1. Attach the bumper with the 1/2" black hardware, leaving enough space to adjust the bumper as needed into position. Using a tape measure, adjust the bumper vertically and horizontally to the desired body gaps. Once the bumper is lined up, tighten all hardware for the bumper and the mounts. Using jack stands or an additional person to help support the bumper is recommended.
2. Now that the bumper is mounted and installed, plug in the factory fog lights, front camera, ACC module, and wire in the light bar. Route and secure wiring as desired.

NOTE: The camera harness will go under the bumper top plate up through a cut hole in the uprights to the camera mount in the grill.

## SAFETY

### THE SAFETY OF YOU AND OTHERS IS VERY IMPORTANT TO US!

To minimize this risk and make an informed decision about safety, it is important that you carefully read and follow the installation instructions we have provided.

We urge you to use your own good judgment and allow plenty of time for installation.

## HAZARD CHECKLIST

1. Always wear personal protective equipment (PPE) such as: protective eye wear, gloves, close toed shoes, etc.
2. We recommend that you use a certified mechanic or shop for professional installation.
3. Always set emergency brakes on vehicle and use tire blocks to ensure vehicle stabilization.
4. Use caution when lifting, we recommend the use of equipment to help lift bumpers into place.
5. Use caution when using power tools such as air ratchet, etc.
6. Take caution when installing wiring.
7. Perform regular inspections of hardware, bolts, brackets, etc.
8. Rigid light brackets are specifically designed to fit Rigid lights, we do not guarantee off brand fitment.
9. Our winch mount is designed for Warn and Superwinch products. We do not guarantee off-brand fitment.

## USE & RISK

Bodyguard Products LLC is not responsible for damage to our products, or other subsequent damage that might occur because of misuse or improper installation. While we do manufacture products that appear stronger than factory parts, our products should not be viewed or relied upon as life-saving devices in the event of a collision or rollover. We make no claims relating to airbag compatibility, crashworthiness, or sturdiness. It is the customer's responsibility to check with the vehicle manufacturer or auto dealer regarding airbag compatibility and automobile manufacturer's warranty before installing our products.

## FINISHING UP

- Install shackles.
- Confirm that all hardware is tightened, and everything is secure.
- Secure wiring harnesses for lights and sensors.
- Test all lighting and wiring before using vehicle (fog lights, sensors, etc.).
  
- Periodically check that all hardware is tightened and that all wiring and connections are secure.
- Periodically check that all sensor plugs are secure.
- Routinely wash bumper to maintain the powder coat finish.

## FEEDBACK

We'd love to hear from you!

Please send your pictures, testimonials, comments, or suggestions to us by email at [info@bodyguardbumpers.com](mailto:info@bodyguardbumpers.com). We frequently use customer pictures for brochures and marketing materials, and we always welcome customer feedback to ensure quality improvements within our company. Thanks for your purchase; we appreciate your business very much!

Where **STRENGTH** Meets *Style!*™



@BodyguardBumpers