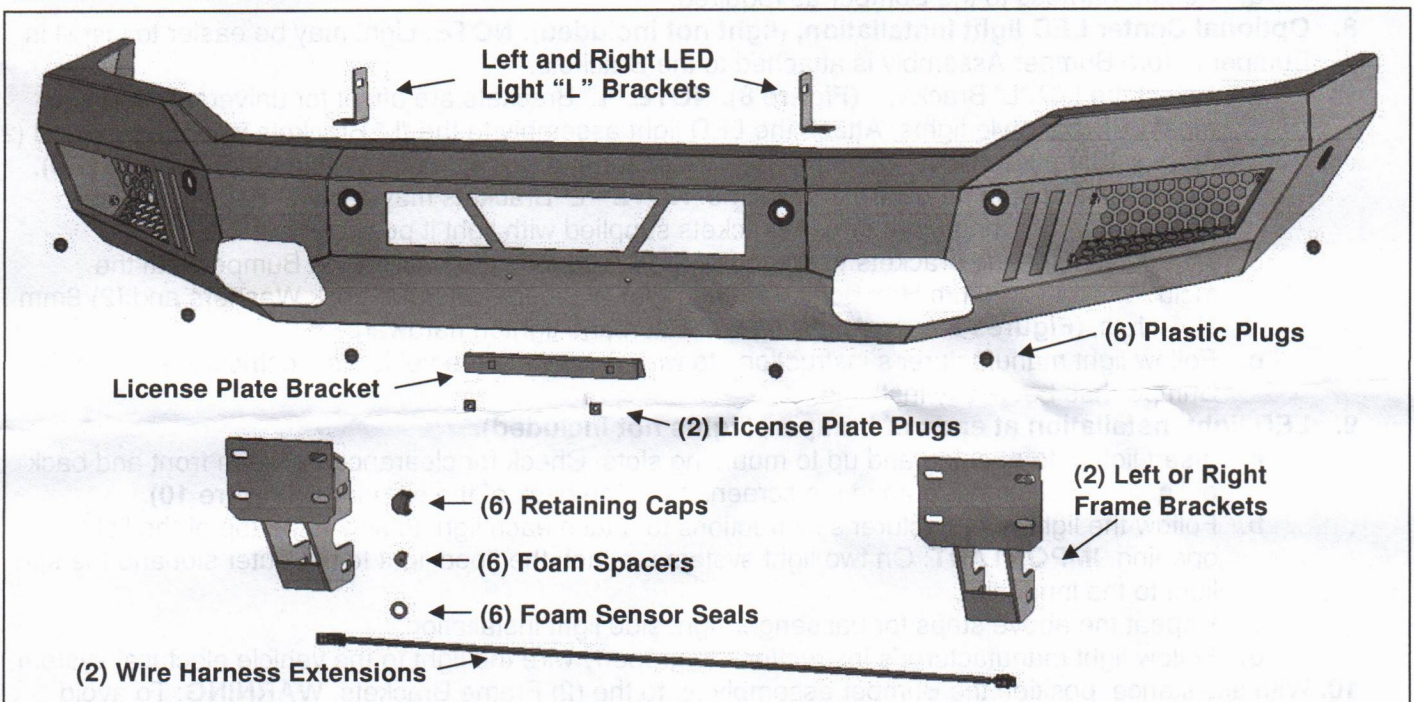


PARTS LIST: HR6225; HR59482; HR59483; HR59484

1	LD1 Front Bumper Assembly	8	10-1.5mm x 35mm Hex Bolts
2	Frame Mounting Brackets	16	10mm x 30mm OD x 2.5mm Flat Washers
1	Driver/left "L" Light Bracket	8	10mm Nylon Lock Nuts
1	Passenger/right "L" Light Bracket	2	8-1.25mm x 25mm Hex Bolts
1	License Plate Bracket	2	8-1.25mm x 16mm Hex Bolts
2	License Plate Mounting Plugs	6	8mm x 24mm x 2mm Flat Washers
6	Sensor Retaining Caps	4	8mm Lock Washers
6	Foam Sensor Spacers	2	8mm Hex Nuts
6	25mm x 15.5mm x 2mm Foam Seals	2	6mm x 20mm Button Head Allen Bolts
6	Sensor Plugs	4	6mm x 18mm OD x 1.6mm Flat Washers
2	Wire Harness Extensions	2	6mm Nylon Lock Nuts
1	Sensor Cover kit	12	4mm Self Tapping Screws



PROCEDURE:

REMOVE CONTENTS FROM BOX. VERIFY ALL PARTS ARE PRESENT. READ INSTRUCTIONS CAREFULLY BEFORE STARTING INSTALLATION. BUMPER IS HEAVY, ASSISTANCE IS HIGHLY RECOMMENDED. CUTTING MAY BE REQUIRED.

1. Remove the license plate. On models with bumper mounted sensors and/or fog lights, unplug the wiring harness leading to the front bumper. Move the wiring harnesses out of the way.
2. Locate the factory bumper bolts attaching the inner bumper brackets to the end of the frame, **(Figure 1)**. With assistance, remove the (2) long hex bolts per side to remove the bumper assembly, **(Figure 2)**.
WARNING! Assistance is required to hold the bumper in place during hardware removal to prevent the bumper from falling.
3. Slide the factory bumper off over the tow hooks, **(Figure 2)**.
4. Remove the lower frame extensions, (optional), if equipped, from the bottom of the frame, **(Figure 2)**.
5. Select (1) Frame Bracket. Line up the holes in the Bracket with the outside of the driver/left side of the frame. Reuse the (2) factory long hex bolts to attach the Bracket to the frame, **(Figures 3 & 4)**.
6. Repeat **Steps 5 & 6** to attach the passenger/right side Mounting Bracket, **(Figure 4)**.
7. Carefully remove all sensors and the wiring harness from the back of the OE bumper, **(Figure 5)**. Note location of each sensor for correct reinstallation.

Models without bumper sensors:

- a. Select the included (6) Plastic Plugs.
- b. Push the plugs into the sensor mounting holes, **(Figure 6)**.

Models with bumper mounted sensors. NOTE: Sensors, (if equipped), must be installed in Bumper before Bumper is attached to Brackets:

- a. Select the driver/left outer sensor. Remove the seal from the end of the sensor, **(Figure 7)**. Replace the seal with the included larger Foam Seal.
- b. Push the sensor into the mounting socket in the back of the Bumper.
- c. Apply (1) Foam Spacer to the plug end of the sensor, **(Figure 7)**.
- d. Secure the sensor to the socket with (1) Sensor Retaining Cap, **(Figure 7)**.
- e. Move to the next sensor location. Repeat previous Steps to install the next sensor as you work your way across the Bumper.
- f. Reinstall the factory wiring harness. **NOTE:** (2) Wire Harness Extensions have been included. It may be necessary to reach the outer sensors as needed. sensors.
- g. Secure harness to the Bumper as required.

8. Optional Center LED light installation, (light not included). NOTE: Light may be easier to install in Bumper before Bumper Assembly is attached to the Brackets.

- a. Select the L/R "L" Brackets, **(Figure 8)**. **NOTE:** "L" Brackets are offset for universal fitment for most LED bar style lights. Attach the LED light assembly to the "L" Brackets with the included (2) 8mm x 16mm Hex Bolts, (2) 8mm Lock Washers and (2) 8mm Flat Washers, **(Figures 8 & 9)**. Do not fully tighten hardware at this time. **NOTE:** "L" Brackets may require modification for hardware larger than 8mm or use brackets supplied with light if possible.
- b. Attach the light and brackets to the top of the (2) tabs on the back of the Bumper with the included 8mm x 25mm Hex Bolts, (4) 8mm Flat Washers, (2) 8mm Lock Washers and (2) 8mm Hex Nuts, **(Figures 8 & 9)**. Adjust light position and tighten hardware.
- c. Follow light manufacturer's instructions to wire the light to the vehicle's electrical system once Bumper has been fully installed.

9. LED light installation at ends of bumper, (lights not included).

- a. Insert light into opening and up to mounting slots. Check for clearance between front and back of light. If necessary, remove the screens from the back of the openings, **(Figure 10)**.
- b. Follow the light manufacturer's instructions to attach each light to slot in the top of the light opening. **IMPORTANT:** On two light systems, attach the flood light to the outer slot and the spot light to the inner slot.
- c. Repeat the above steps for passenger/right side light installation.
- d. Follow light manufacturer's instructions to properly wire the light to the vehicle electrical system.

10. With assistance, position the Bumper assembly up to the (2) Frame Brackets. **WARNING:** To avoid possible injury or damage to the vehicle, do not proceed until the Bumper is fully and safely supported.

11. Attach the Bumper to the Frame Brackets with (8) 10mm x 35mm Hex Bolts, (16) 10mm Flat Washers and (8) 10mm Nylon Lock Nuts, **(Figure 11)**. Snug but do not fully tighten hardware.

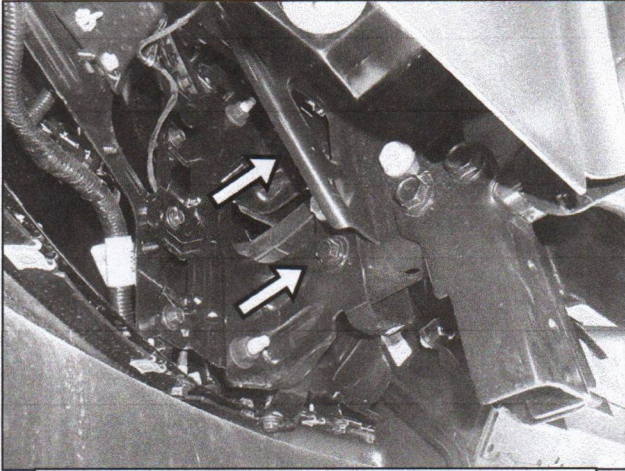
12. Level and adjust the Bumper to the vehicle and tighten all hardware.

13. If front license plate is required, attach the License Plate Bracket to the holes in the Bumper with the included (2) 6mm x 20mm Button Head Bolts, (4) 6mm Flat Washers and (2) 6mm Nylon Lock Nuts, **(Figure 12)**. Insert (2) Plastic Plugs into the square holes in the Bracket. Reuse the factory screws to attach the license plate to the Plastic Plugs.

14. Do periodic inspections to the installation to make sure that all hardware is secure and tight.

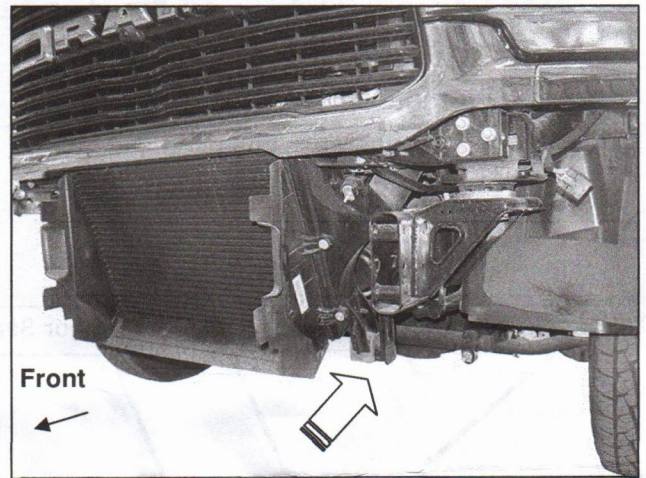
To protect your investment, do not use any type of polish or wax that may contain abrasives that could damage the finish. Mild soap may be used to clean the Bumper Assembly.

Driver Side Installation Pictured

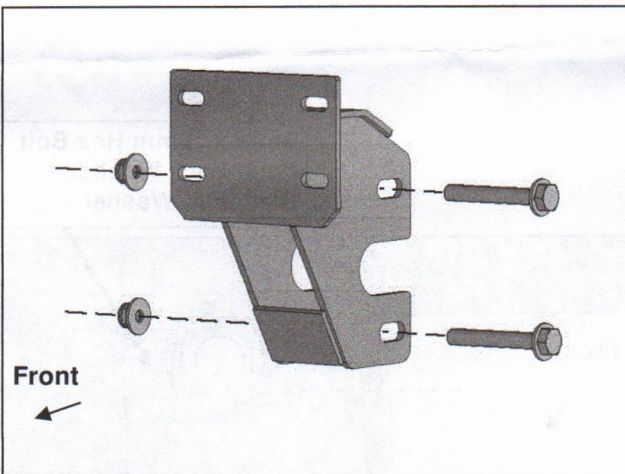


(Fig 1) Locate and remove driver/left side bumper bracket to frame hardware (arrows)

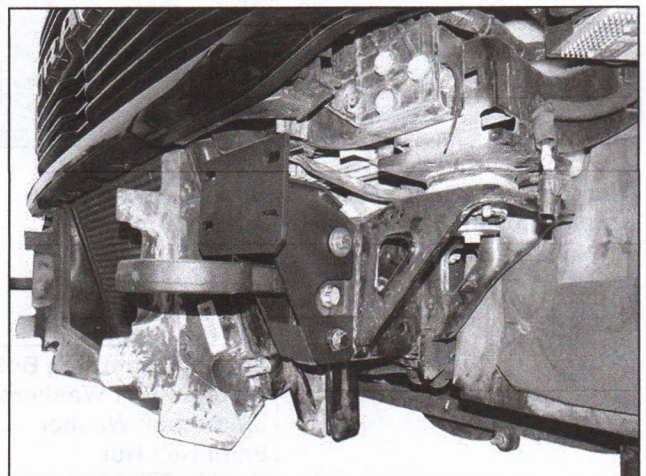
WARNING! To avoid possible injury or damage to vehicle, do not remove bumper bolts unless the bumper is properly supported on blocks or stands or it may fall.



(Fig 2) Bumper removed. Tow hooks pictured removed for instruction purposes only, it is not necessary to remove tow hooks

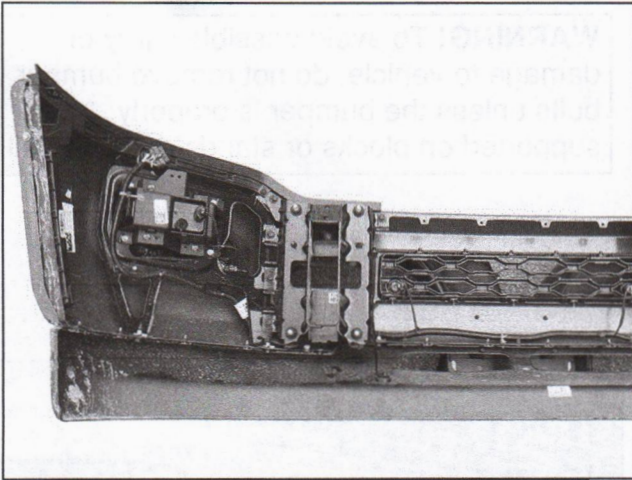


(Fig 3) Reuse factory hardware to attach (1) Bracket to the end of the frame

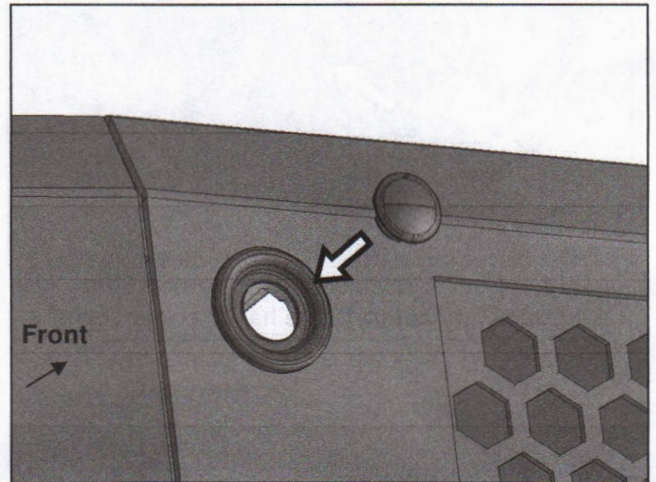


(Fig 4) Frame Brackets installed

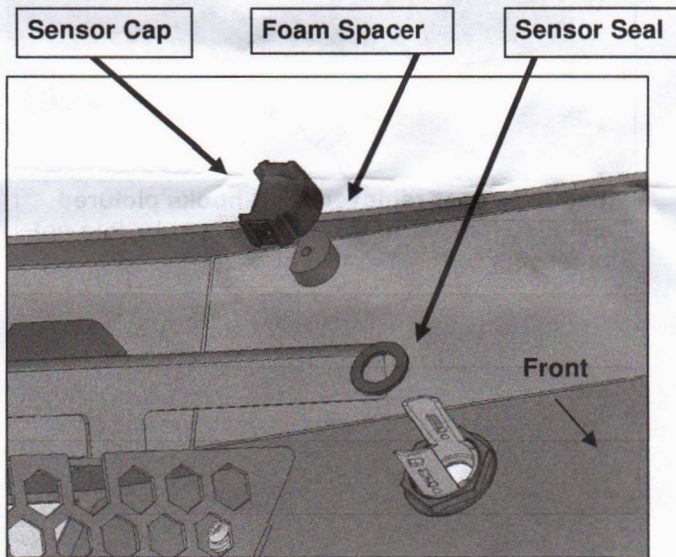
Driver Side Installation Pictured



(Fig 5) Remove harness and parking sensors from factory bumper if equipped

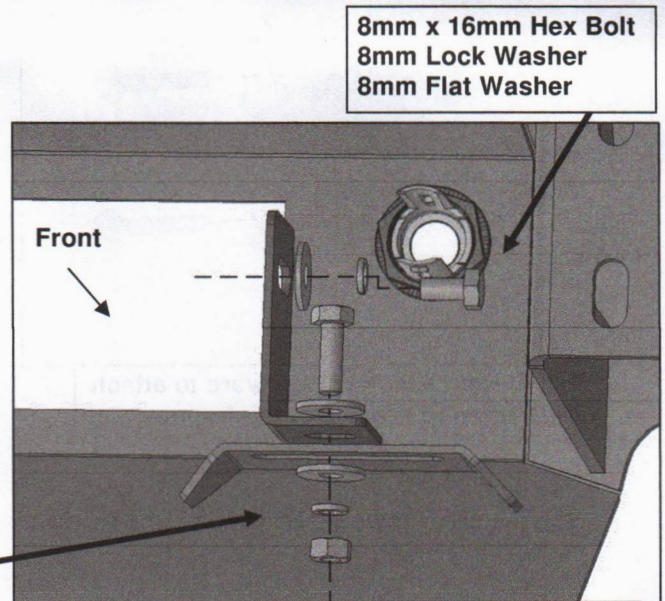


(Fig 6) Models without sensors, push Plugs into Sensor Mounts



(Fig 7) Remove front seal from Sensor. Apply larger Foam Seal to sensor. Slide sensor into sleeve, insert Foam Spacer and Retaining Cap to lock sensor in sleeve

8mm x 25mm Hex Bolt
(2) 8mm Flat Washers
8mm Lock Washer
8mm Hex Nut



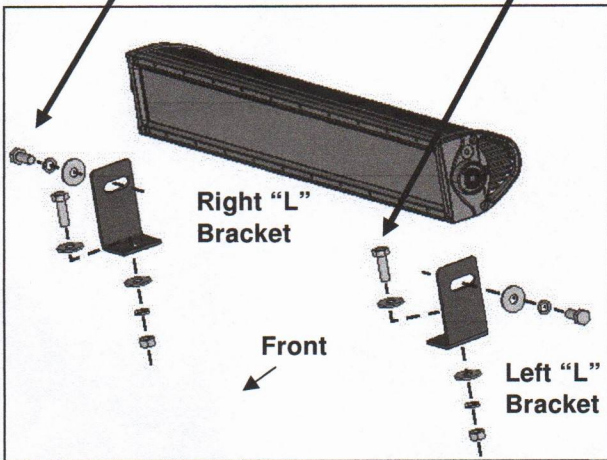
(Fig 8) Attach Left/Right LED Brackets to tabs on back of Bumper (right side illustrated)

Driver Side Installation Pictured

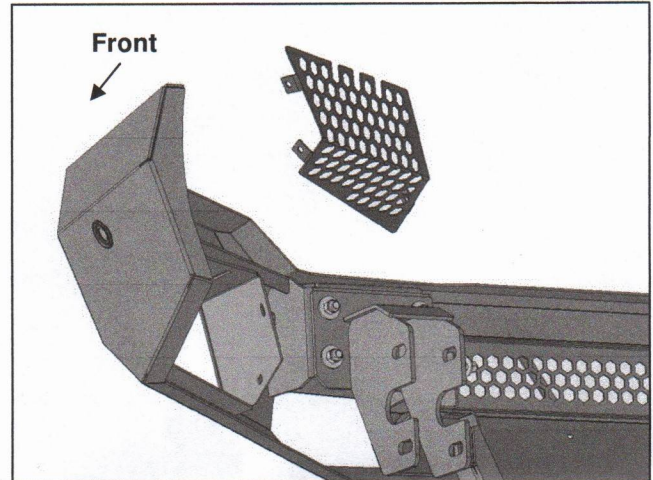
WARNING! Do not crawl under bumper unless it is properly supported on blocks or stands or the bumper may fall.

- (2) 8mm x 16mm Hex Bolts
- (2) 8mm Lock Washers
- (2) 8mm Flat Washers

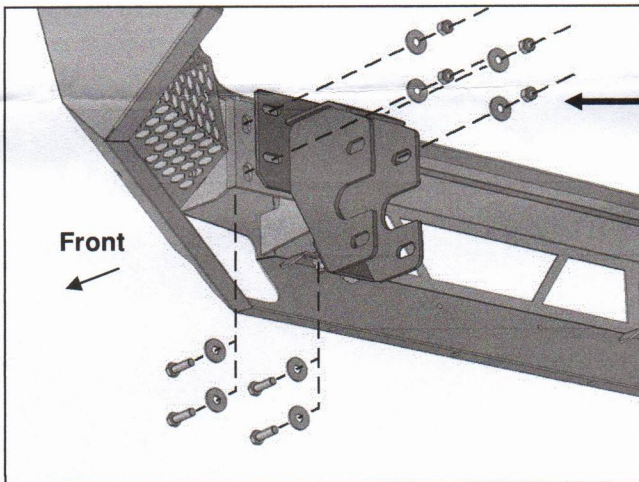
- (2) 8mm x 25mm Hex Bolts
- (4) 8mm Flat Washers
- (2) 8mm Lock Washers
- (2) 8mm Hex Nuts



(Fig 9) Example of center light installation



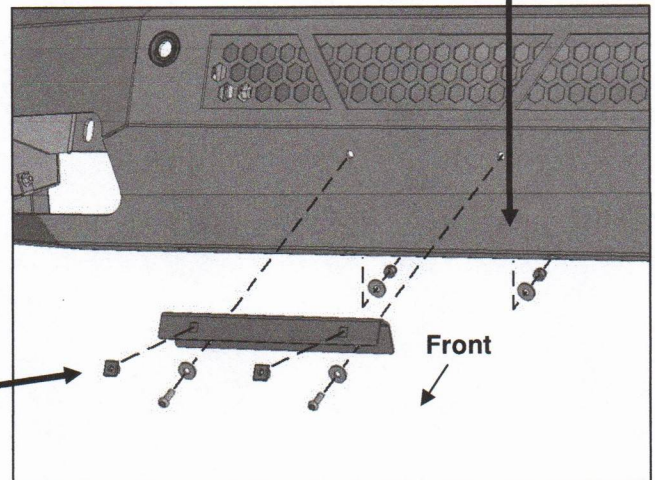
(Fig 10) Remove screens, if necessary, for clearance/access to outer light mounts



(Fig 11) Attach Bumper to driver/left Bracket

- (4) 10mm x 35mm Hex Bolts
- (8) 10mm Flat Washers
- (4) 10mm Nylon Lock Nuts

- (2) 6mm Button Head Bolts
- (4) 6mm Flat Washers
- (2) 6mm Nylon Lock Nuts



- (2) Plastic Plugs

(Fig 12) Attach License Plate Bracket to Bumper, push Plastic Plugs into Bumper for license plate