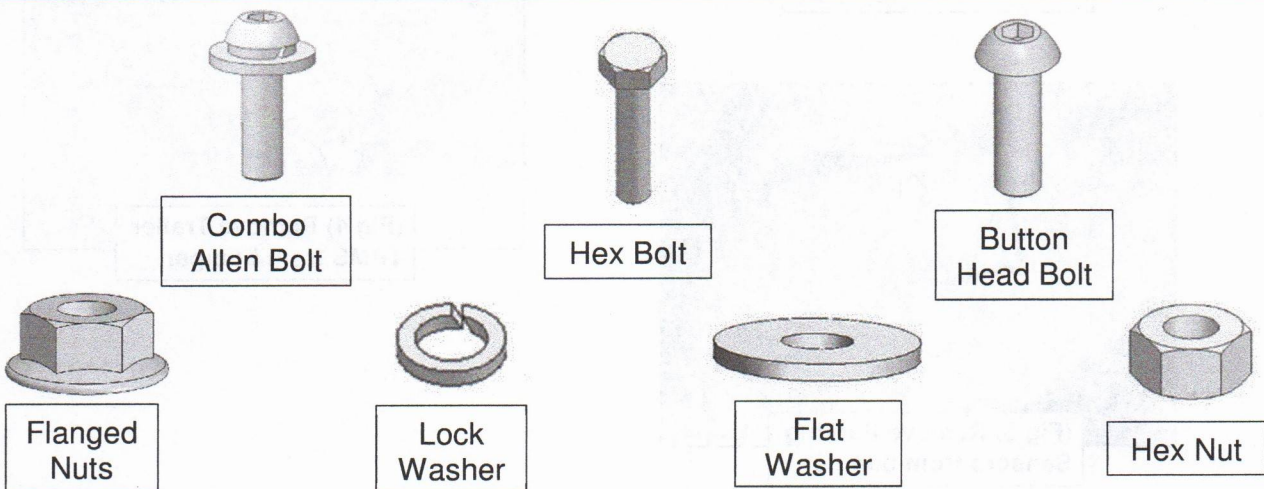
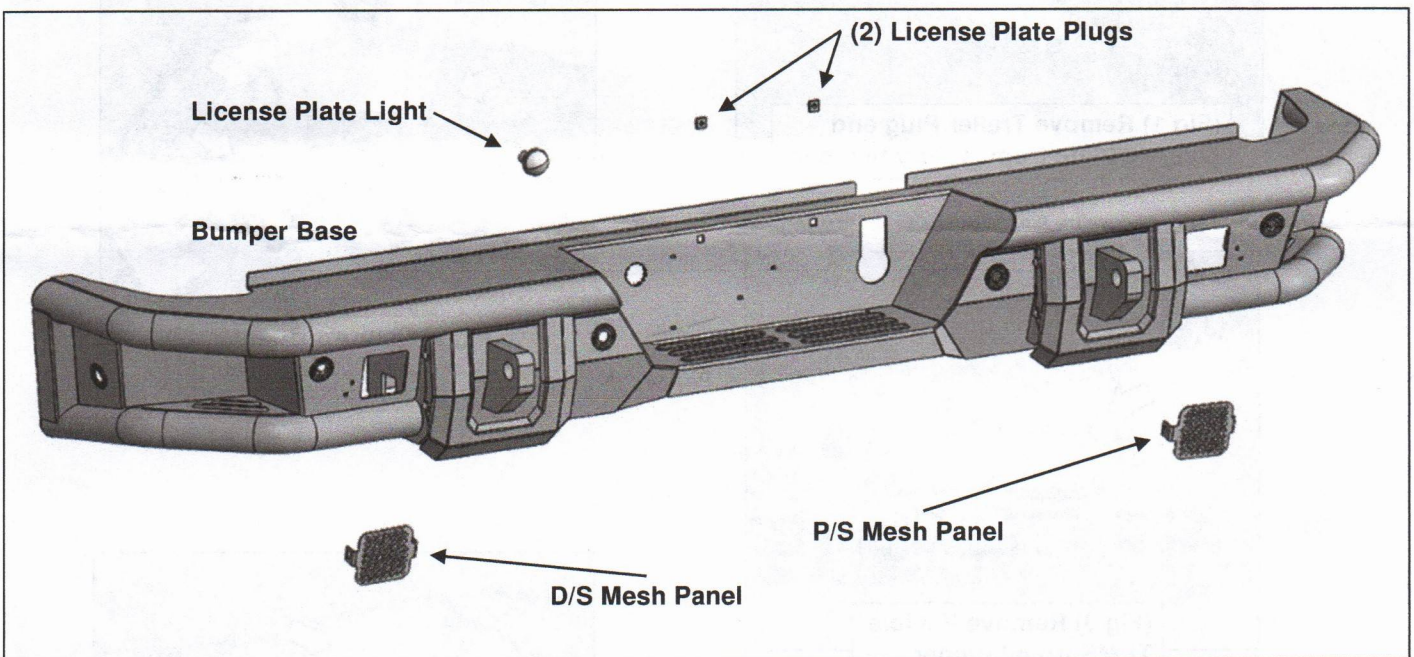


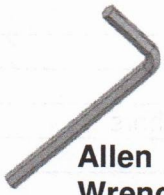
Installation Instructions

PARTS LIST: HR61369; HR61370

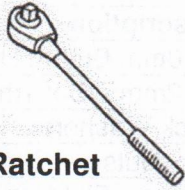
Qty	Item Description	Qty	Item Description
1	Bumper Base	2	4mm x 10mm Button Head Bolts
1	PS/right Fill in Mesh Panel	4	4mm x 12mm OD x 1mm Flat Washers
1	DS/left Fill in Mesh Panel	2	4mm Lock Washers
1	License Plate Light	2	4mm Hex Nuts
2	Plastic Plugs for License Plate	12	4mm x 15mm Flat Head Self Tapping Screws
2	M12 Double Nut Plates	1	4mm Allen Wrench
4	12mm Plastic Retainers	1	2.5mm Allen Wrench
4	12mm x 50mm Hex Bolts	6	Sensor Hole Plugs
4	2mm x 37mm OD x 3mm Flat Washers	6	Sensor Retaining Caps
4	6-1.00mm x 20mm Combo Allen Bolts	6	20mm x 10mm Foam Spacers
2	6-1.00mm x 16mm Button Head Bolts	6	15.5mm x 25mm OD x 2mm Foam Washers
4	6mm x 18mm OD x 1.6mm Flat Washers	4	2019+ 25-3500 Wire Harness Extensions
2	6mm Lock Washers	2	2009-18 1500 Wire Harness Extensions
4	6mm Hex Flanged Nuts	1	Sensor Cover Kit
2	6mm Hex Nuts	10	200mm Wire Ties



TOOLS REQUIRED



Allen
Wrench



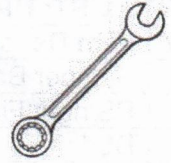
Ratchet



Sockets

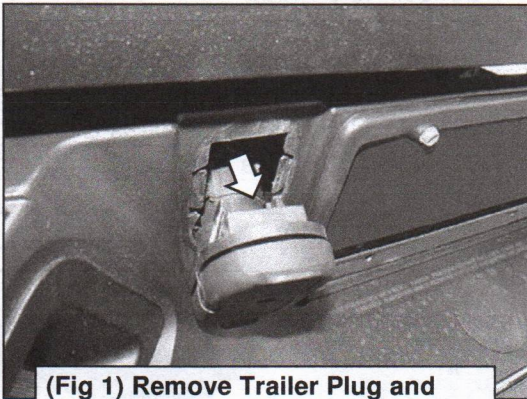


Extensions



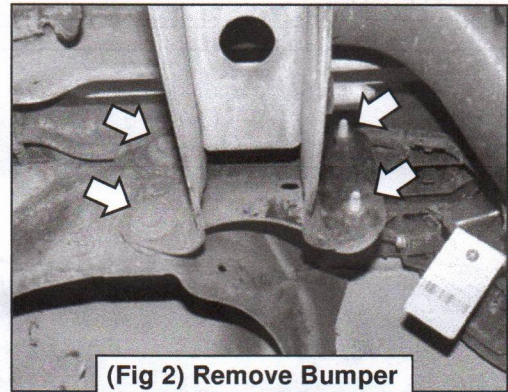
Wrench

1 Follow (Fig 1 – 5) to remove bumper from vehicle and remove wiring harness from bumper.

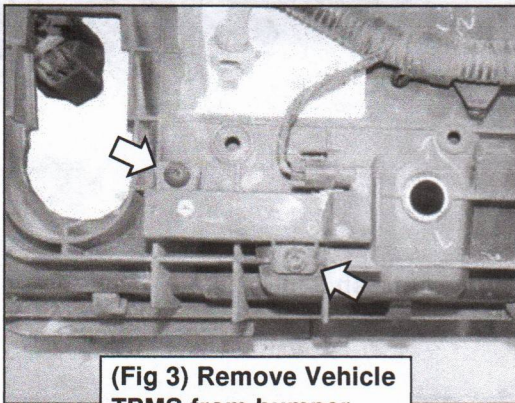


(Fig 1) Remove Trailer Plug and License Plate from factory bumper

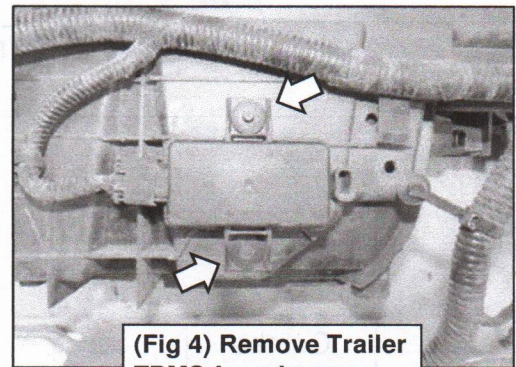
WARNING! Do not remove bumper bolts unless the bumper is properly supported on blocks or stands or it may fall.



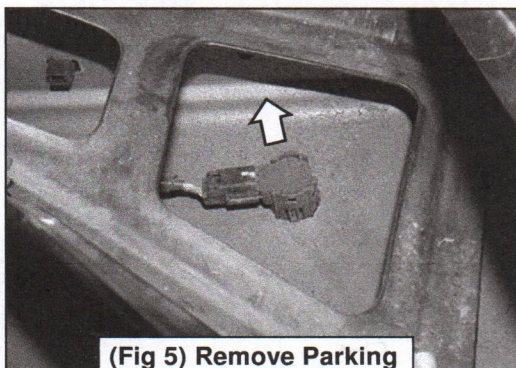
(Fig 2) Remove Bumper by removing hardware



(Fig 3) Remove Vehicle TPMS from bumper



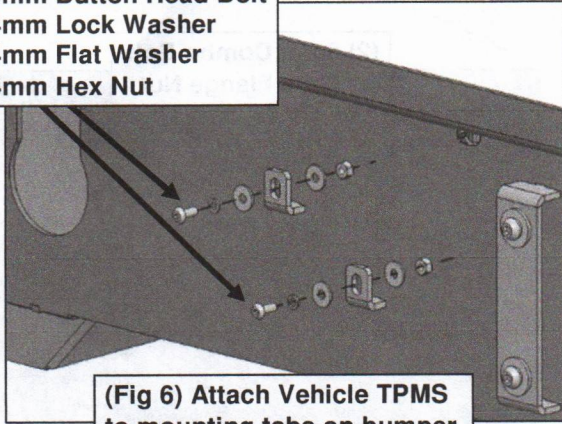
(Fig 4) Remove Trailer TPMS from bumper



(Fig 5) Remove Parking Sensors from bumper

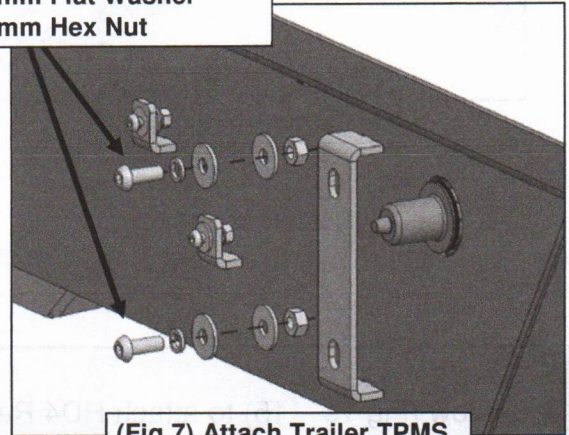
2 Follow (Fig 6 – 12) to attach wiring harness to HD4 Rear Bumper. Ensure hardware is centered and all parts are well fit before tightening hardware.

- (2) 4mm Button Head Bolt
- (2) 4mm Lock Washer
- (4) 4mm Flat Washer
- (2) 4mm Hex Nut



(Fig 6) Attach Vehicle TPMS to mounting tabs on bumper

- (2) 6mm Button Head Bolt
- (2) 6mm Lock Washer
- (4) 6mm Flat Washer
- (2) 6mm Hex Nut

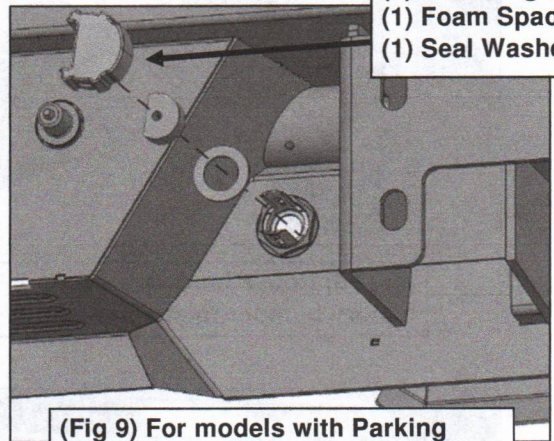


(Fig 7) Attach Trailer TPMS to mounting tab on bumper



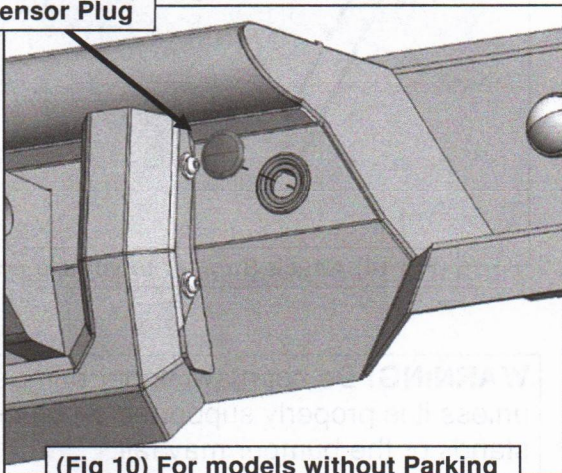
(Fig 8) Remove the seal from the end of the sensor. Install larger Foam Washer

- (1) Retaining Cap
- (1) Foam Spacer
- (1) Seal Washer

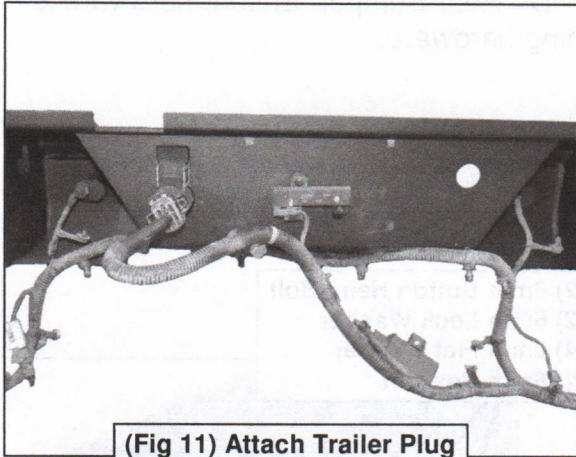


(Fig 9) For models with Parking Sensors, attach Sensors to Bumper

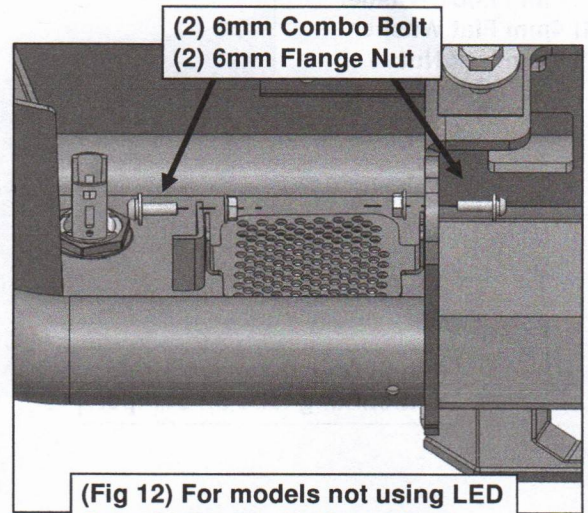
Sensor Plug



(Fig 10) For models without Parking Sensors, attach Plastic Plugs



(Fig 11) Attach Trailer Plug and harness to bumper

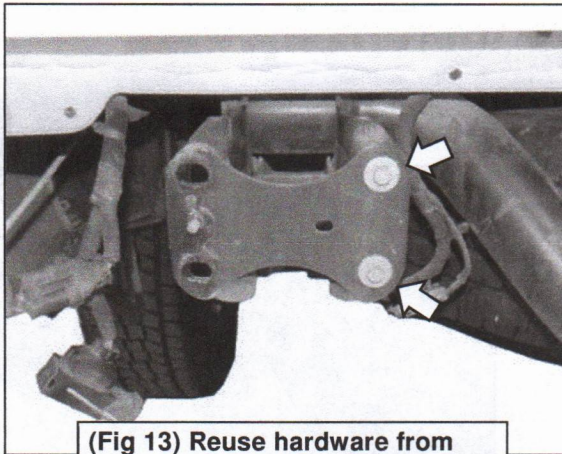


- (2) 6mm Combo Bolt
- (2) 6mm Flange Nut

(Fig 12) For models not using LED Cube Light, attach Mesh Panel

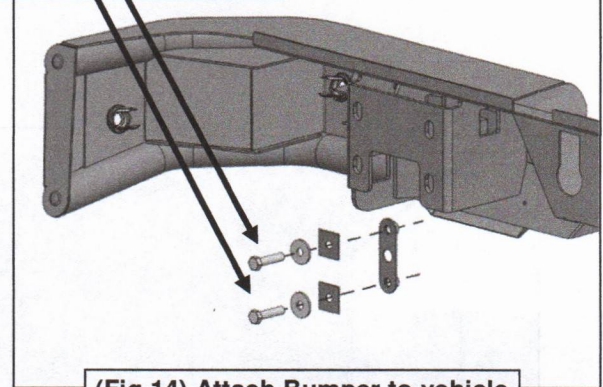
3

Follow (Fig 13 – 15) to attach HD4 Rear Bumper to vehicle mounting point. Ensure Bumper is level before tightening hardware.

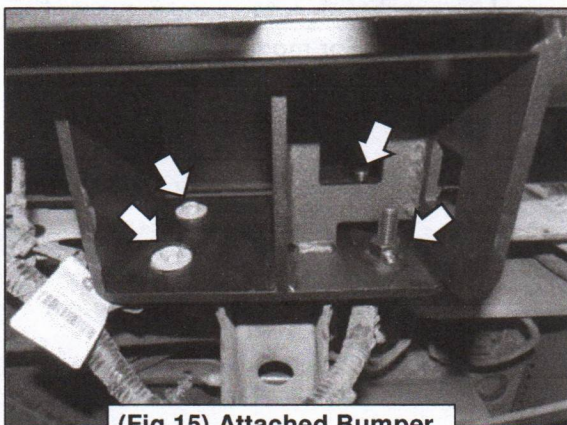


(Fig 13) Reuse hardware from factory bumper to attach bumper

- (2) 12mm Hex Bolts
- (2) 12mm Flat Washer
- (2) Plastic Retainers
- (1) Double Nut Bolt



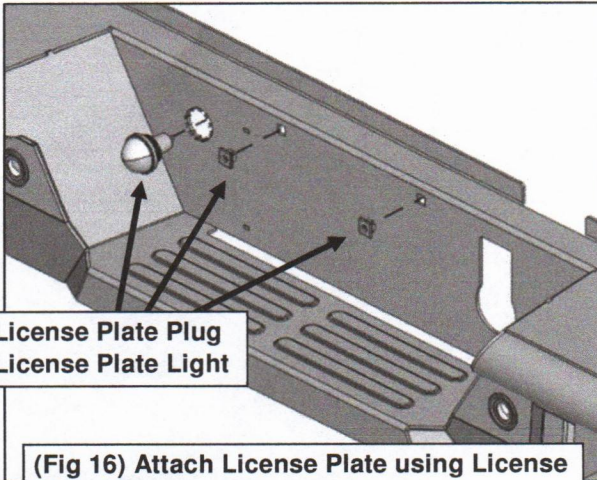
(Fig 14) Attach Bumper to vehicle



(Fig 15) Attached Bumper

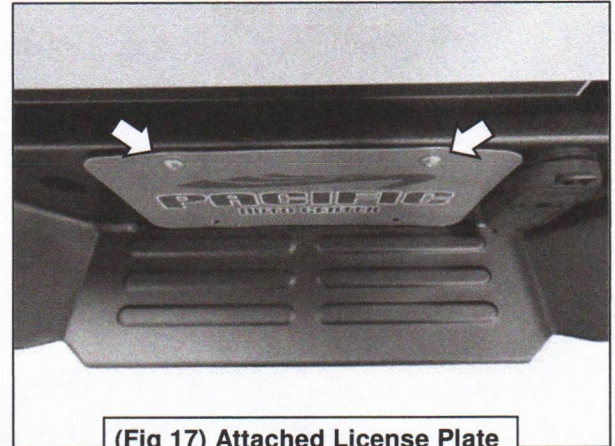
WARNING! Do not crawl under bumper unless it is properly supported on blocks or stands or the bumper may fall.

- 4** Follow (Fig 16 – 18) to attach License Plate and License Plate Light, then plug in all connections.

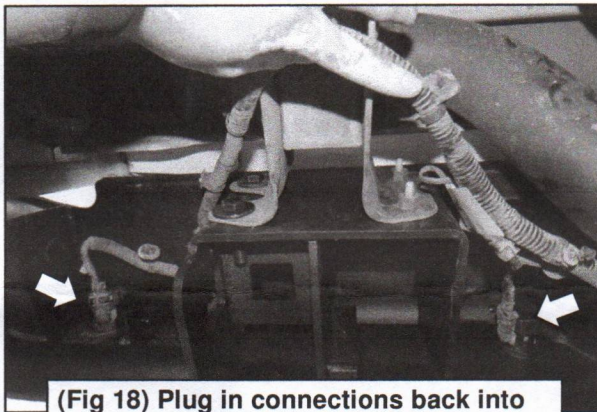


(2) License Plate Plug
(1) License Plate Light

(Fig 16) Attach License Plate using License Plate Plugs and License Plate Light



(Fig 17) Attached License Plate



(Fig 18) Plug in connections back into Parking Sensors and License Plate light

- 5** Installation is complete. Perform periodic inspections to the installation to make sure that all hardware is secure and tight.



Completed Installation