

# iBoard®

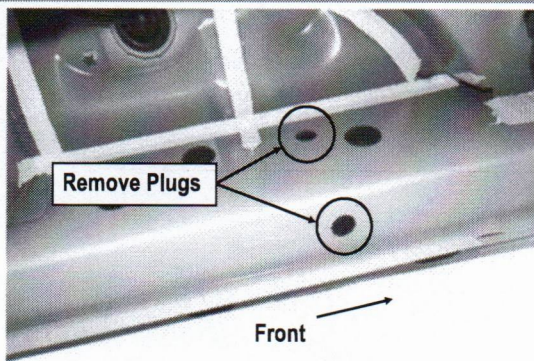


Scan for  
Installation Video

## STEP 1

Starting on the driver side of the vehicle. Locate the (4) plugs along the bottom edge of the body. Remove the plastic plugs from each mounting location, (Fig 1).

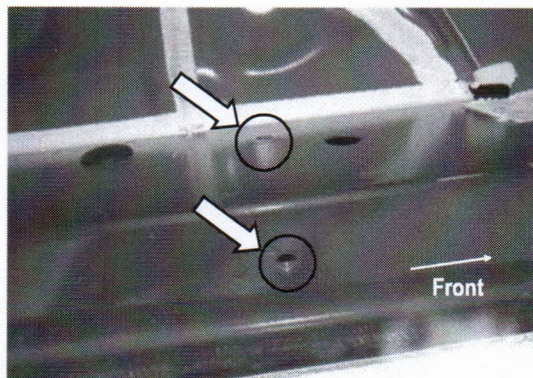
**NOTE:** Thread a M8 Hex Bolt into the threaded inserts to clear paint as required.



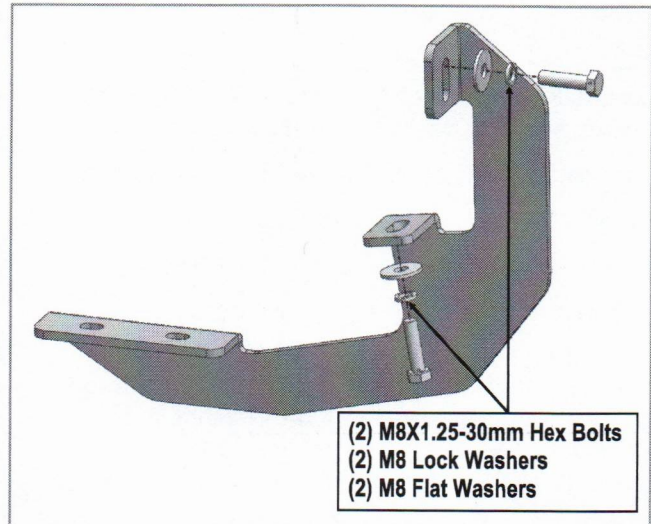
(Fig 1) Remove Plastic Plugs To Uncover Threaded Inserts

## STEP 2

Start from the driver front mounting location, (Fig 2). Bolt the Driver Front Mounting Bracket to the factory threaded holes with (2) M8X1.25-30mm Hex Bolts, (2) M8 Flat Washers and (2) M8 Lock Washers, (Fig 3). Do not fully tighten hardware at this time.



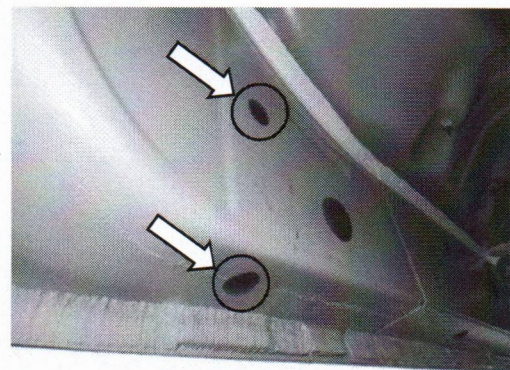
(Fig 2) Driver Side Front Mounting Location



(Fig 3) Driver Front Mounting Bracket Installation

## STEP 3

Move to driver side rear mounting location, (Fig 4). Repeat **Step 2** to bolt the Driver Rear Mounting Bracket to the factory threaded holes. Do not fully tighten hardware at this time.



(Fig 4) Driver Side Rear Mounting Location

Customer Support: [info@iboardauto.com](mailto:info@iboardauto.com)

# iBoard®



Scan for  
Installation Video

## STEP 4

Once all (2) Driver side mounting brackets are installed, then proceed to the Step Bar installation. (Figs 5 & 6)

- (1) Select (1) Slider and (2) M8X1.25-35mm Carriage Bolts;
- (2) Install (2) M8X1.25-35mm Carriage Bolts in (1) Slider.
- (3) Slide the Slider (with carriage bolts) to the **Step Bar**.
- (4) Repeat to install the other (1) slider to the step bar.
- (5) Attach the Step Bar (with the Sliders) onto the installed mounting brackets. Position the Sliders to the installed brackets. Secure the Step Bar to the installed Brackets by using (4) M8 Large Flat Washers and (4) M8 Nylon Lock Nuts and (2) Sliders, (Fig 6). Do not fully tighten hardware at this time.

**Note:** The Sliders are packed with the Step Bars.

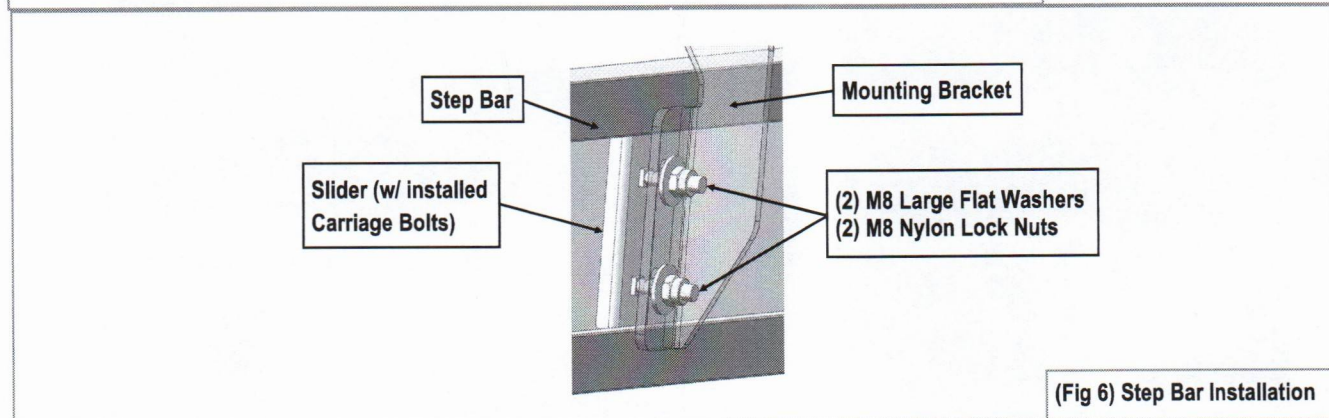
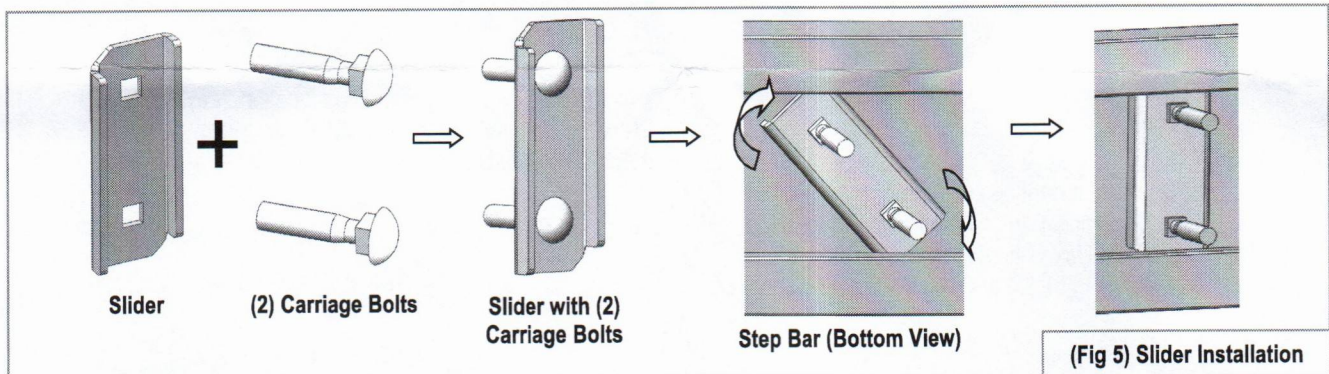
Level and adjust the Step Bar and fully tighten all hardware.

Repeat **Steps 1-4** for the other side Step Bar installation. **The installation is completed!!!**

### Attention

**Do periodic inspections to the installation to make sure that all hardware is secure and tight.**

**In order to protect your bars/boards, please use mild soap/non-abrasive products for cleaning only.**



Customer Support: [info@iboardauto.com](mailto:info@iboardauto.com)

# iBoard®



Scan for  
Installation Video

## iBoard® by APS

PART#: IB-296C&H

READ INSTRUCTIONS CAREFULLY BEFORE STARTING INSTALLATION. REMOVE CONTENTS FROM BOX AND VERIFY ALL PARTS ARE PRESENT. ASSISTANCE IS RECOMMENDED.

\*ROCKER PANEL MOUNT  
\*NO DRILLING REQUIRED

Fastener Size	Tightening Torque (ft-lbs)	Required
6mm	6-7	X
8mm	16-18	√
10mm	31-32	X
12mm	56-58	X
14mm	92-94	X

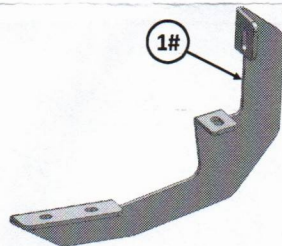
### PART LIST

Driver Side Step Bar

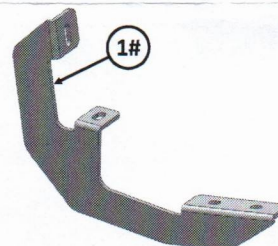
Front



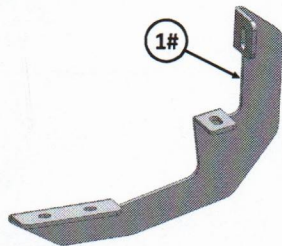
Passenger Side Step Bar



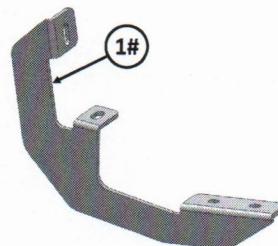
1#



1#



1#



1#



Customer Support: [info@iboardauto.com](mailto:info@iboardauto.com)

# iBoard®



Scan for  
Installation Video

## Mounting Bracket List

Item	QTY	Description	Item	QTY	Description
1#	4	Mounting Brackets			

## Hardware Package A (For Bracket Installation)

Item	QTY	Description	Item	QTY	Description
1#	8	M8X1.25-30mm Hex Bolts	3#	8	M8 Lock Washers
2#	8	M8 Flat Washers			



1 #



2 #



3 #

## Hardware Package B (For Stainless Steel Step Bar Installation)

Item	QTY	Description	Item	QTY	Description
1#	8	M8X1.25-35mm Carriage Bolts	3#	8	M8 Nylon Lock Nuts
2#	8	M8 Large Flat Washers	4#	4	Sliders (Packed with Step Bars)



1 #



2 #



3 #



4 #

Customer Support: [info@iboardauto.com](mailto:info@iboardauto.com)

# THANK YOU

SO MUCH  
FOR CHOOSING  
IBOARDS

Have a question about  
your installation?

# HELP

IS ON THE WAY

[info@iboardauto.com](mailto:info@iboardauto.com)

1-866-633-0839



Scan for  
Installation Video

  @iBoards