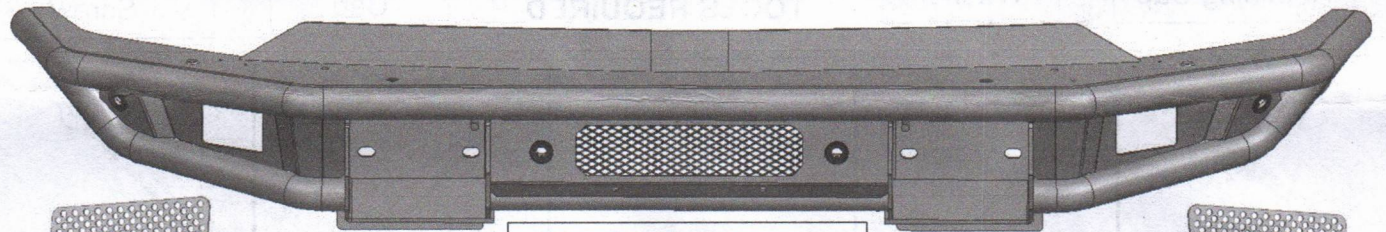


Installation Instructions

PARTS LIST: HS78558-1; HS78558-2; HS78559-1; HS78559-2

Qty	Item Description	Qty	Item Description
1	HD4 LD Front Bumper	16	10mm x 30mm x 2.5mm Flat Washers
1	Driver/Left Support Bracket	8	10mm Nylon Lock Nuts
1	Passenger/Right Support Bracket	8	10mm Lock Washers
2	Shutter Relocation Bracket	8	10mm Plastic Retainers
1	Driver/Left Shackle Mount	4	6 – 1.0mm x 20mm Hex Bolts
1	Passenger/Right Shackle Mount	14	6 – 1.0mm x 20mm Button Head Combo Bolts
2	U-Cover Plates	8	6mm x 18mm OD x 1.6mm Flat Washers
1	Driver/Left Outer Mesh Panel	4	6mm Nylon Lock Nuts
1	Passenger/Right Outer Mesh Panel	4	6mm Flanged Nuts
1	License Plate Bracket	1	4mm Allen Wrench
2	Plastic Plugs for License Plate Mount	8	4mm x 15mm Flat Head Self Tapping Screws
2	12 – 1.75mm x 45mm Hex Bolts	4	Sensor Hole Plugs
4	12 – 1.75mm x 35mm Hex Bolts	4	Sensor Retaining Caps
8	12mm x 32mm OD x 3mm Large Flat Washers	4	20mm x 10mm Foam Spacers
2	12mm x 24mm x 2.5mm STD Flat Washers	4	15.5mm x 25mm OD x 2mm Foam Washers
4	12mm Nylon Lock Nuts	3	Parking Sensor Wire Extension Harnesses
8	10 – 1.75mm x 60mm Hex Bolts	1	Sensor Cover Kit
4	10 – 1.5mm x 35mm Double Bolt Plates		



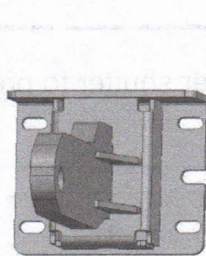
HD4 LD Front Bumper



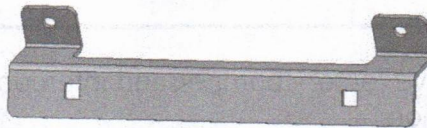
Passenger/Right Outer Mesh Panel



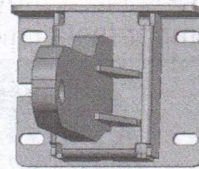
Driver/Left Outer Mesh Panel



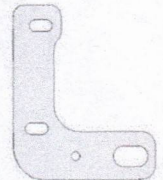
Passenger/Right Shackle Mount



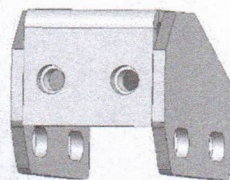
License Plate Bracket



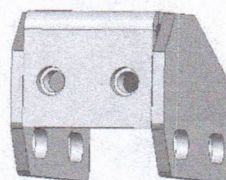
Driver/Left Shackle Mount



U – Cover Plates (x2)

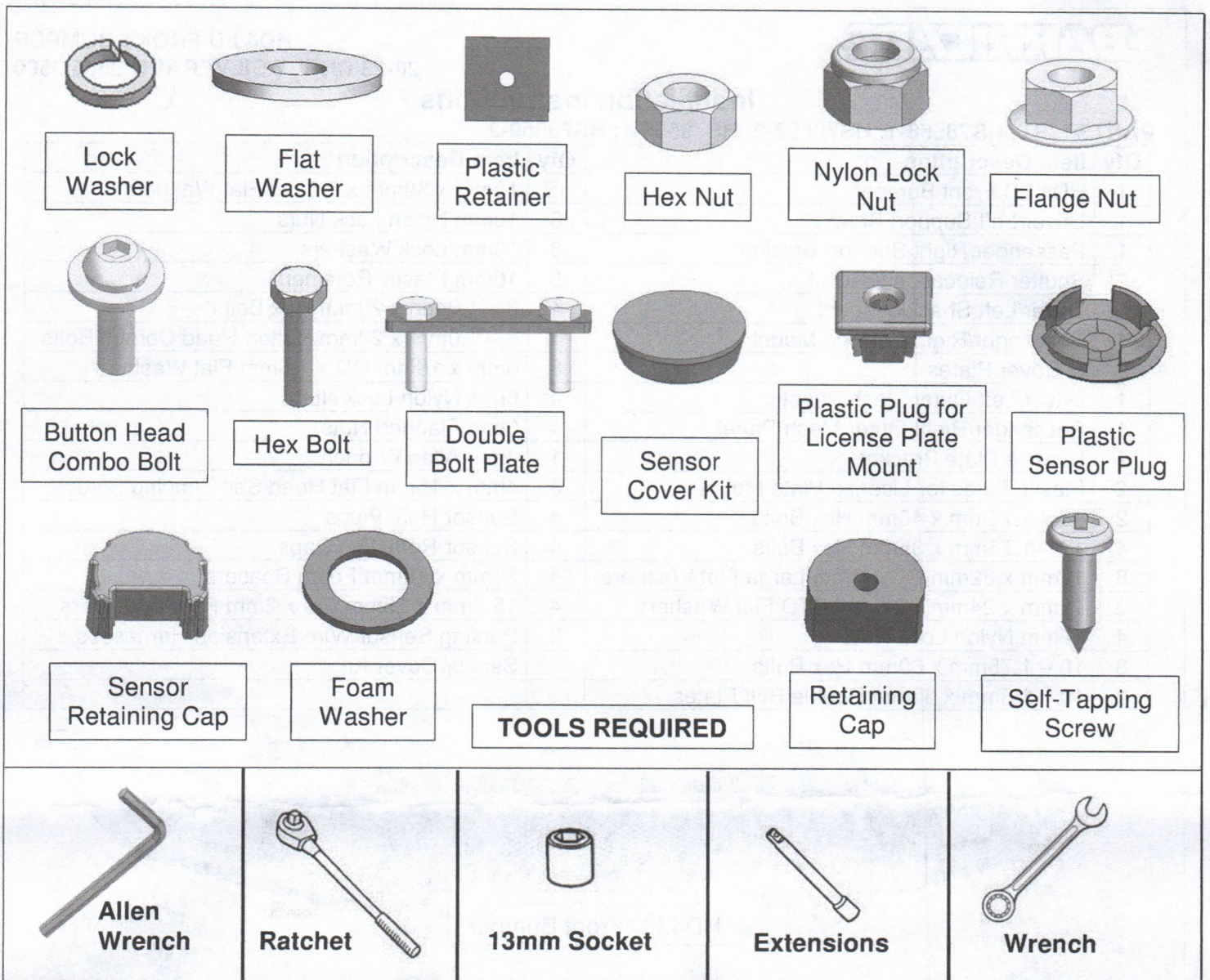


Passenger/Right Support Bracket

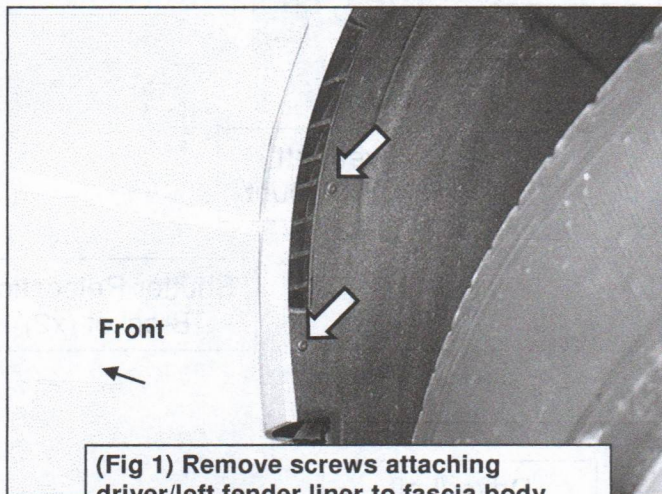


Driver/Left Support Bracket

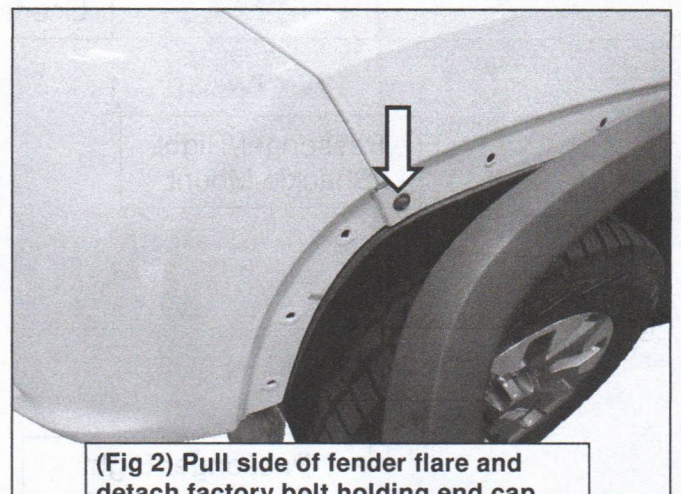
Shutter Relocation Bracket (x2)



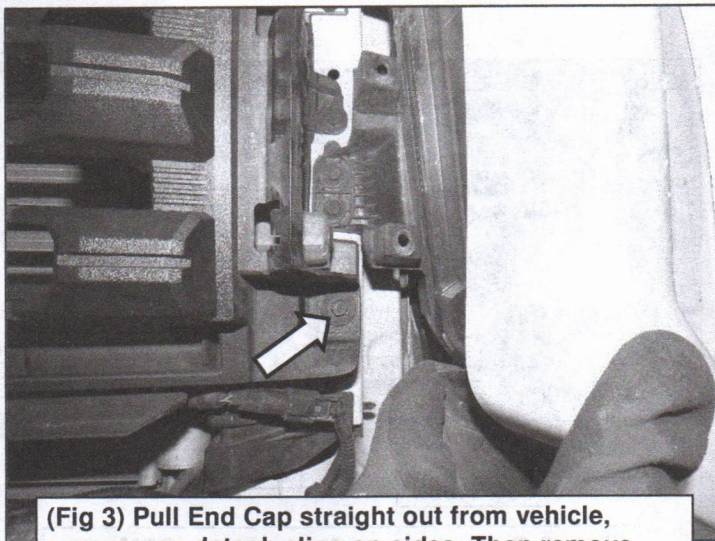
- 1** Follow (Fig 1 -12) to remove factory bumper and intercooler shutter to prepare vehicle for HD4 LD Front Bumper Installation.



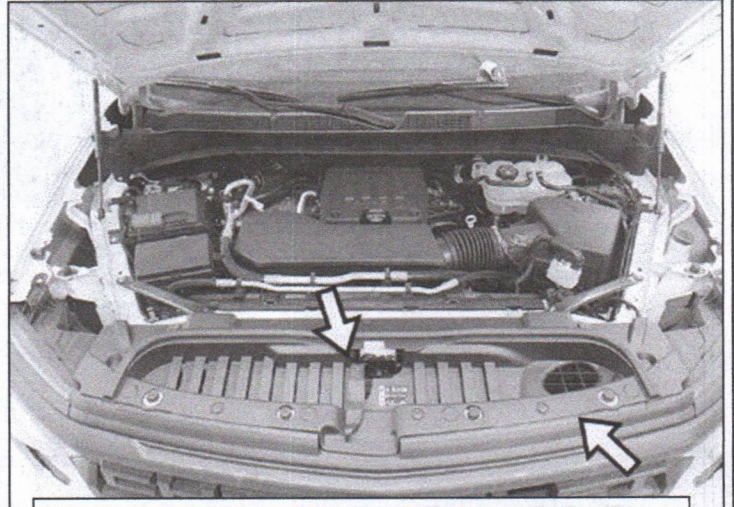
(Fig 1) Remove screws attaching driver/left fender liner to fascia body panel. Repeat on passenger/right side.



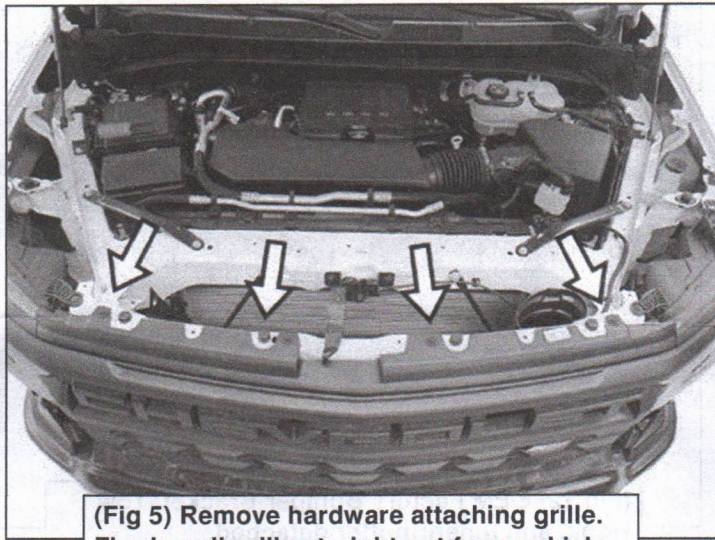
(Fig 2) Pull side of fender flare and detach factory bolt holding end cap. Repeat on passenger/right side.



(Fig 3) Pull End Cap straight out from vehicle, ensure you detach clips on sides. Then remove factory bolt to remove front grille in a bit. Repeat on passenger/right side.



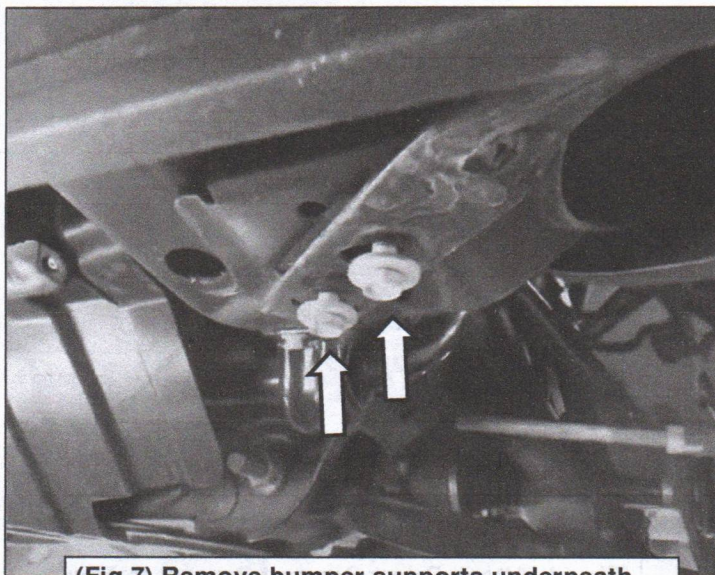
(Fig 4) Remove hood release handle and plastic cover. Then **REATTACH HOOD RELEASE HANDLE.**



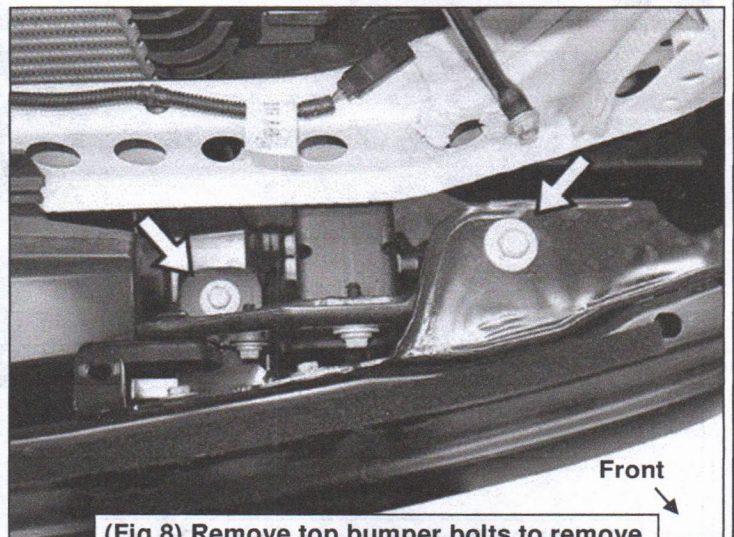
(Fig 5) Remove hardware attaching grille. Firmly pull grille straight out from vehicle.



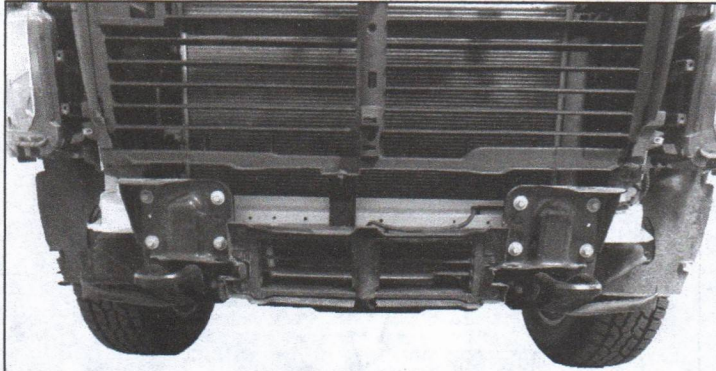
(Fig 6) Front Grille and End Cap removed.



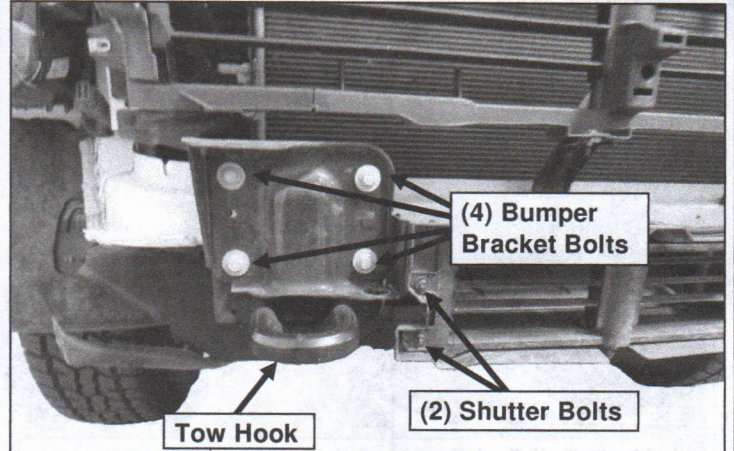
(Fig 7) Remove bumper supports underneath vehicle for driver and passenger side.



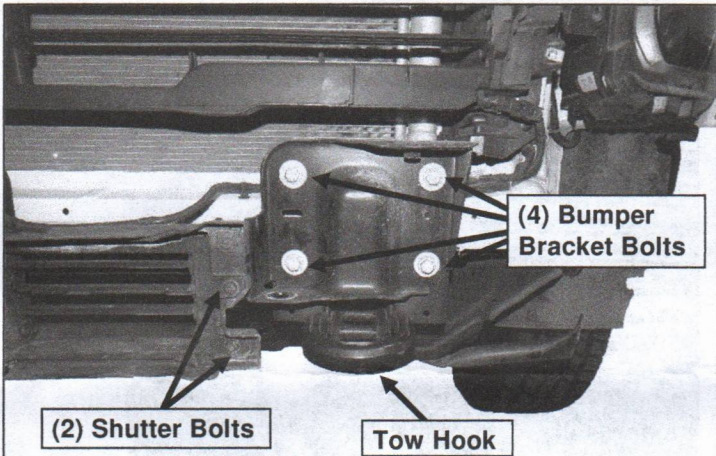
(Fig 8) Remove top bumper bolts to remove front bumper for driver and passenger side.



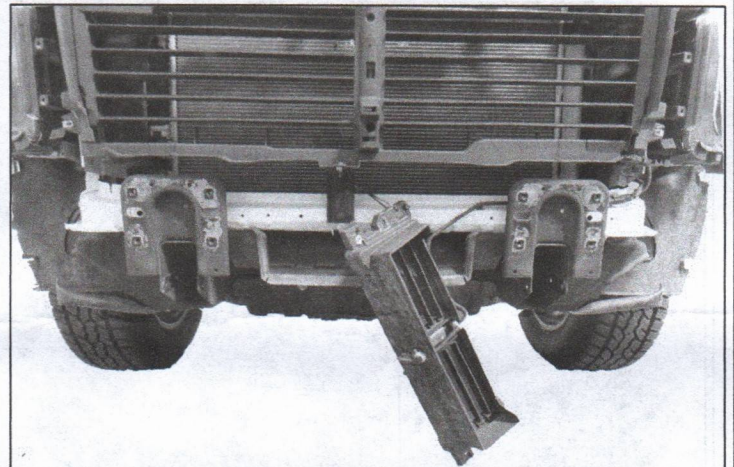
(Fig 9) Remove Front Bumper with assistance.



(Fig 10) On Passenger Side, remove OEM Factory Bumper Bracket, Tow Hook, and Shutter bolts.

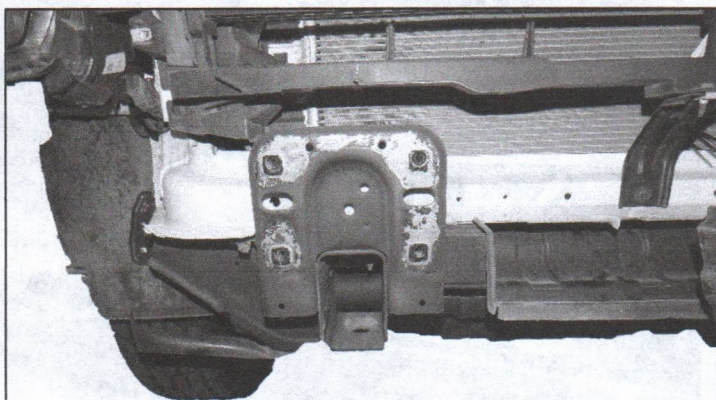


(Fig 11) On Driver Side, remove OEM Factory Bumper Bracket, Tow Hook, and Shutter bolts.

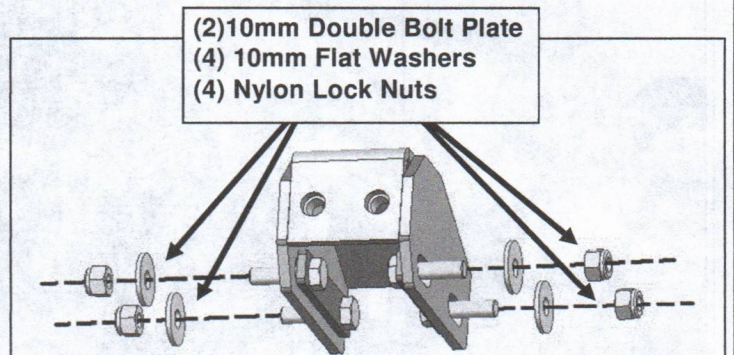


(Fig 12) OEM Factory Bumper Bracket, Tow Hook, and Inner Shutter detached.

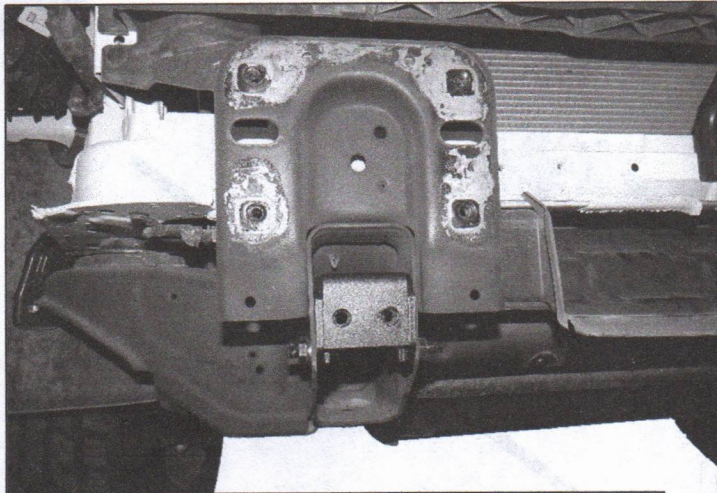
2 Follow (Fig 13 – 34) to attach Brackets and Sensors or Plastic Plugs, prepare Bumper for installation, then attach Bumper to Brackets. Ensure Bolts are hand tightened at this point.



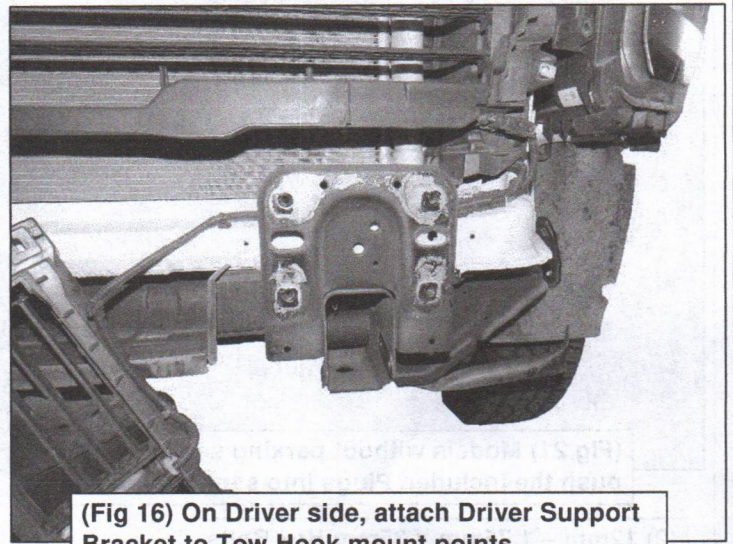
(Fig 13) On Passenger side, attach Driver Support Bracket to Tow Hook mount points.



(Fig 14) Attach Driver Support Bracket to Tow Hook mount points with indicated hardware.

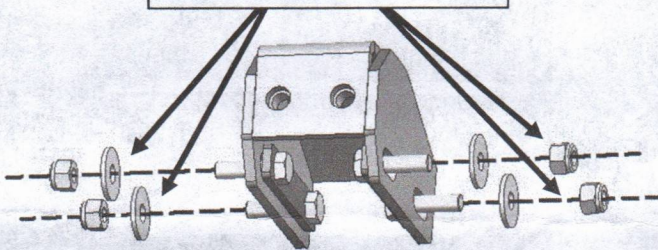


(Fig 15) Attached Driver Support Bracket with indicated hardware.

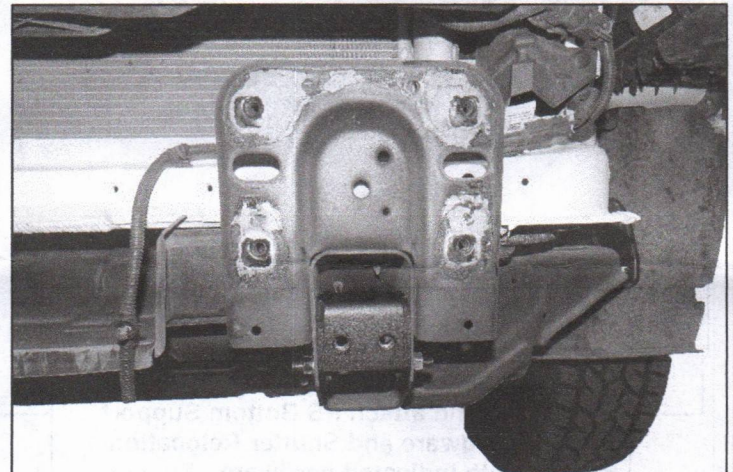


(Fig 16) On Driver side, attach Driver Support Bracket to Tow Hook mount points.

- (2) 10mm Double Bolt Plate**
- (4) 10mm Flat Washers**
- (4) Nylon Lock Nuts**

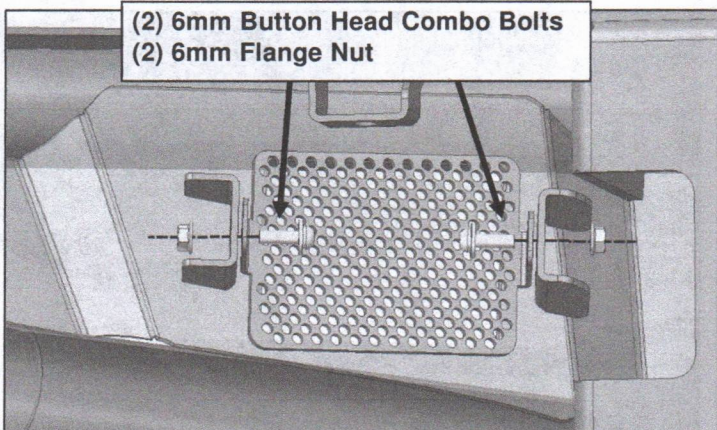


(Fig 17) Attach Passenger Support Bracket to Tow Hook mount points with indicated hardware.



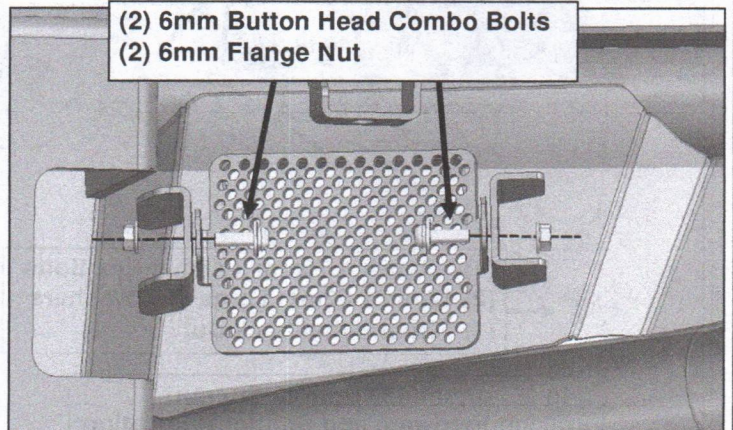
(Fig 18) Attached Driver Support Bracket with indicated hardware.

- (2) 6mm Button Head Combo Bolts**
- (2) 6mm Flange Nut**

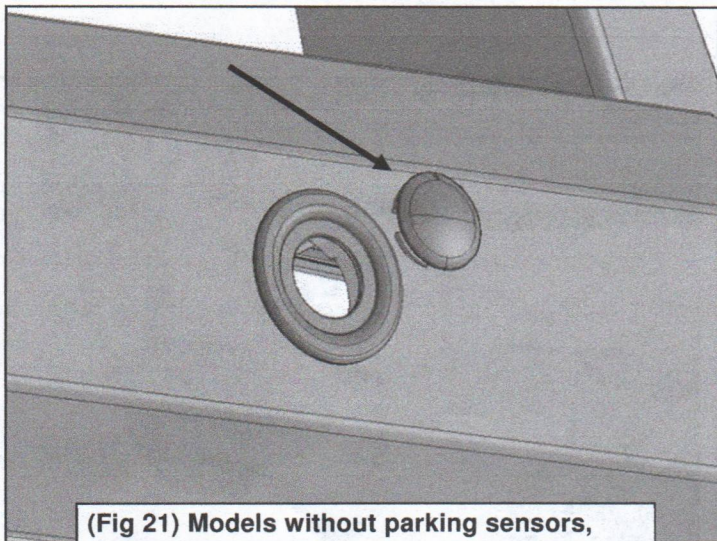


(Fig 19) On Front Bumper, attach Driver/Left Outer Mesh Panel to Driver/Left tab on the back of the LD Bumper with indicated hardware.

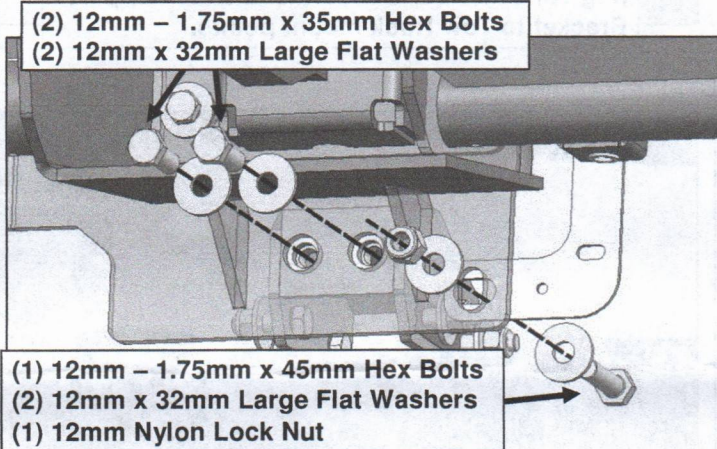
- (2) 6mm Button Head Combo Bolts**
- (2) 6mm Flange Nut**



(Fig 20) On Front Bumper, attach Passenger/Right Outer Mesh Panel to Passenger/Right tab on the back of the LD Bumper with indicated hardware.



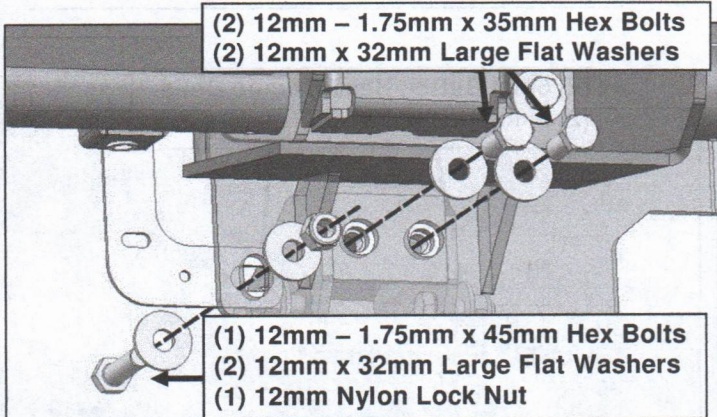
(Fig 21) Models without parking sensors, push the included Plugs into sensor mounts



- (2) 12mm - 1.75mm x 35mm Hex Bolts
- (2) 12mm x 32mm Large Flat Washers

- (1) 12mm - 1.75mm x 45mm Hex Bolts
- (2) 12mm x 32mm Large Flat Washers
- (1) 12mm Nylon Lock Nut

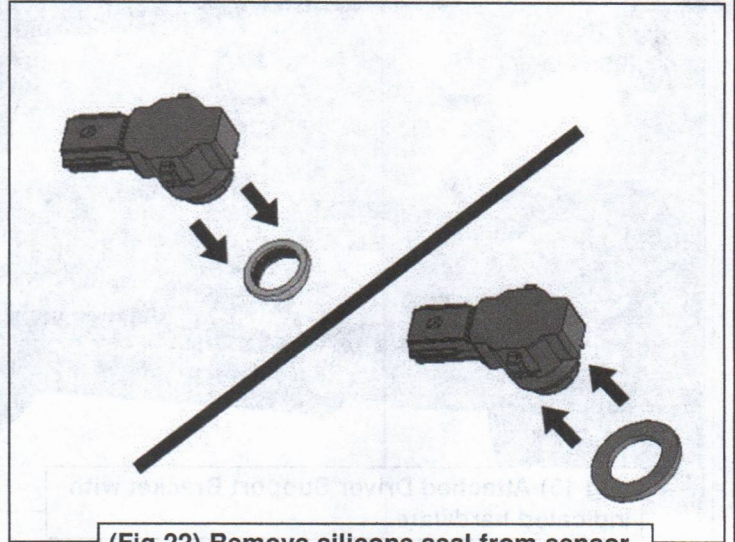
(Fig 23) Attach Front Bumper to vehicle with assistance and attach PS Bottom Support Bracket hardware and Shutter Relocation Bracket with indicated hardware.



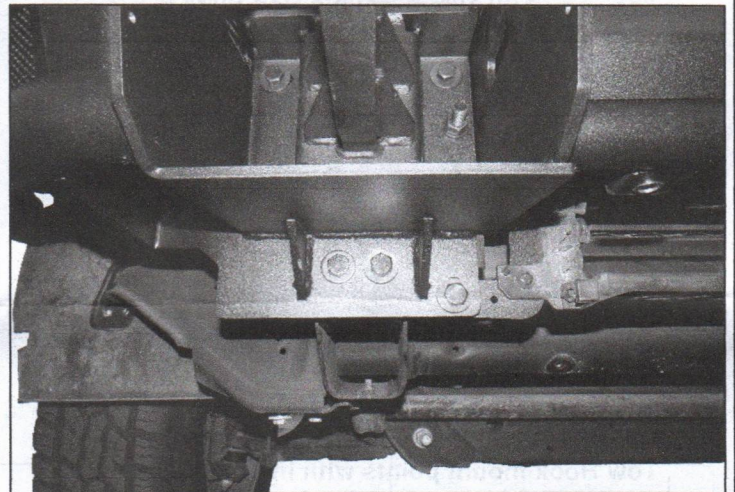
- (2) 12mm - 1.75mm x 35mm Hex Bolts
- (2) 12mm x 32mm Large Flat Washers

- (1) 12mm - 1.75mm x 45mm Hex Bolts
- (2) 12mm x 32mm Large Flat Washers
- (1) 12mm Nylon Lock Nut

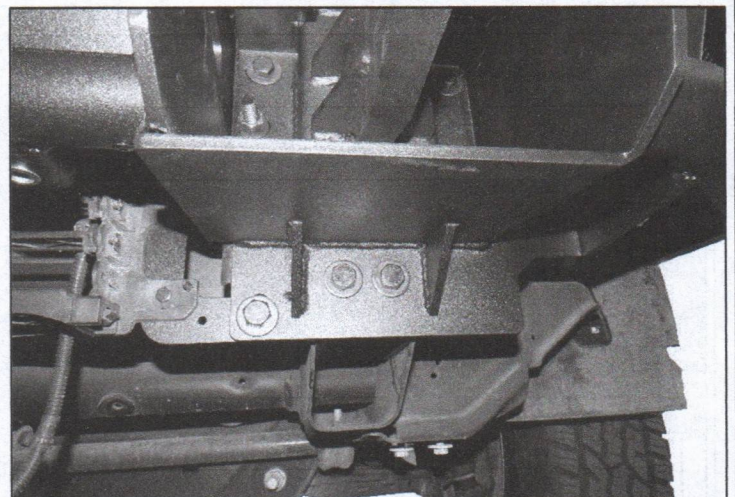
(Fig 25) Attach DS Bottom Support Bracket hardware and Shutter Relocation Bracket with indicated hardware.



(Fig 22) Remove silicone seal from sensor. Slide large seal over end of sensor (arrow)



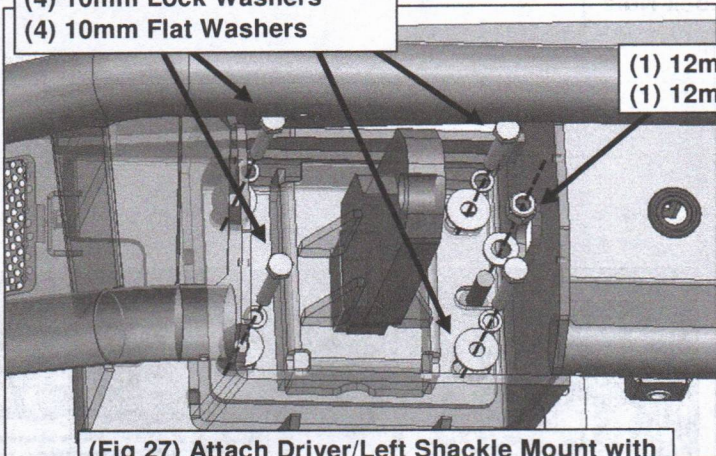
(Fig 24) Attached PS Bottom Support Bracket and Shutter Relocation Bracket with indicated hardware.



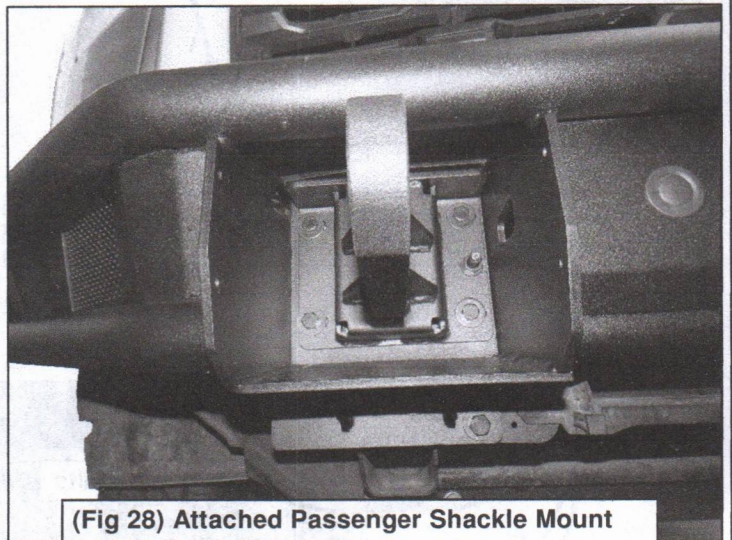
(Fig 26) Attached DS Bottom Support Bracket and Shutter Relocation Bracket with indicated hardware.

- (4) 10mm x 60mm Hex Bolts
- (4) 10mm Lock Washers
- (4) 10mm Flat Washers

- (1) 12mm Nylon Lock Nut
- (1) 12mm x 24mm STD Flat Washer



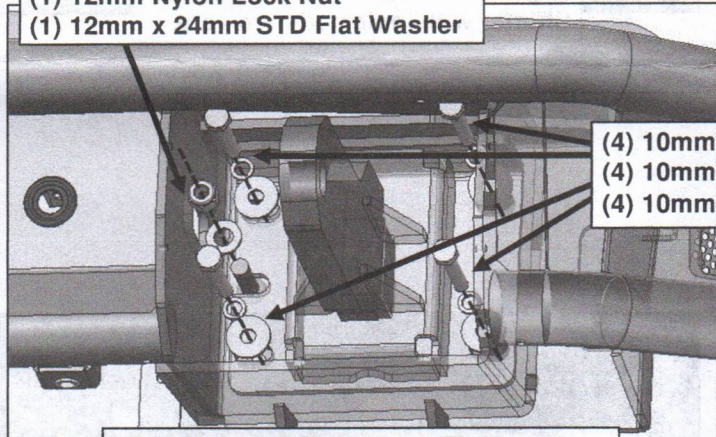
(Fig 27) Attach Driver/Left Shackle Mount with indicated hardware.



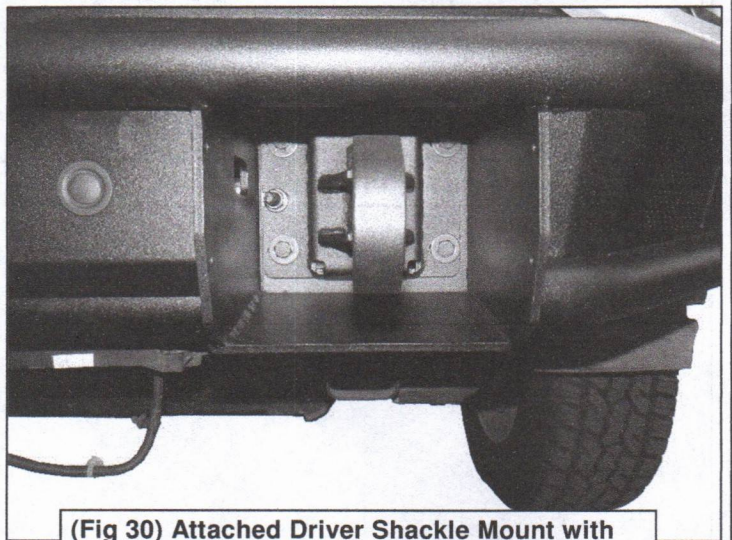
(Fig 28) Attached Passenger Shackle Mount with indicated hardware.

- (1) 12mm Nylon Lock Nut
- (1) 12mm x 24mm STD Flat Washer

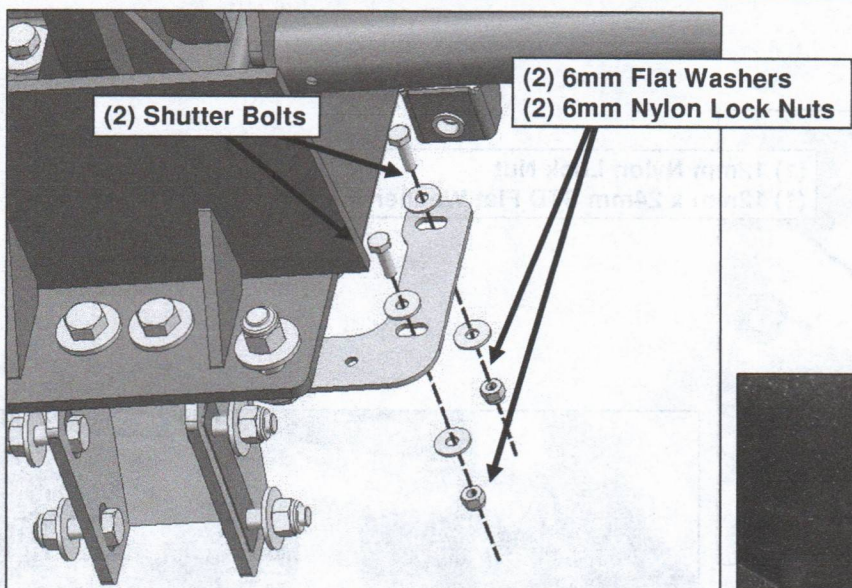
- (4) 10mm x 60mm Hex Bolts
- (4) 10mm Lock Washers
- (4) 10mm Flat Washers



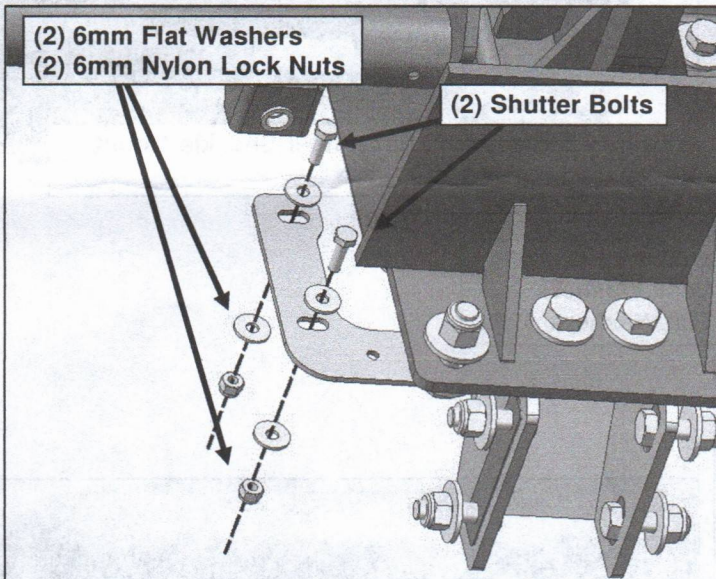
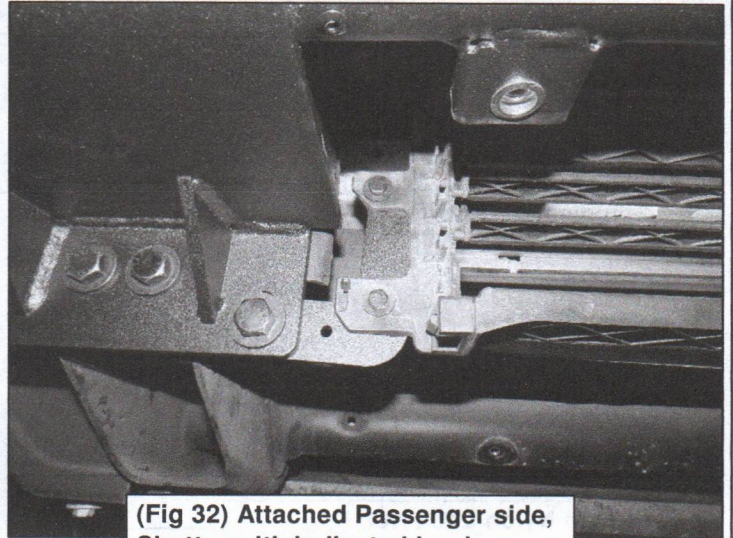
(Fig 29) Attach Passenger/Right Shackle Mount with indicated hardware.



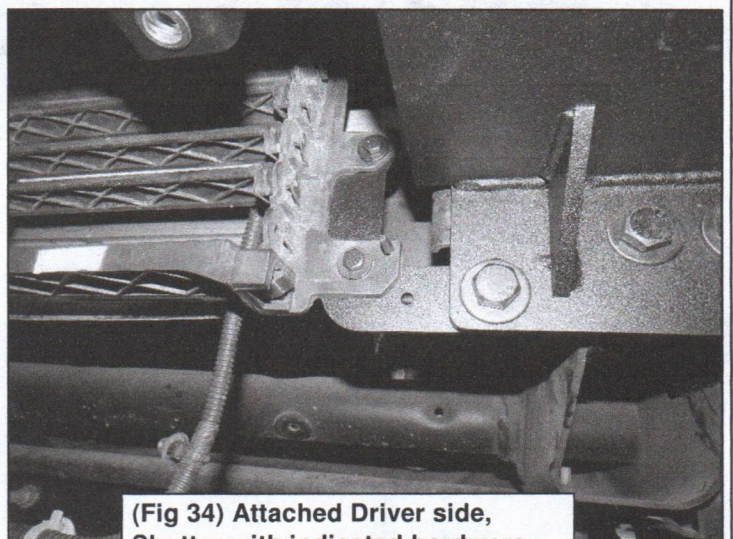
(Fig 30) Attached Driver Shackle Mount with indicated hardware.



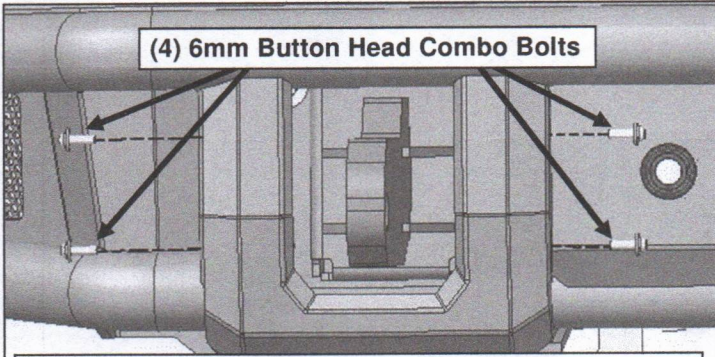
(Fig 31) Attach Passenger side, Shutter with indicated hardware. (Refer to Fig 10 & 11)



(Fig 33) Attach Driver side, Shutter with indicated hardware. (Refer to Fig 10 & 11)

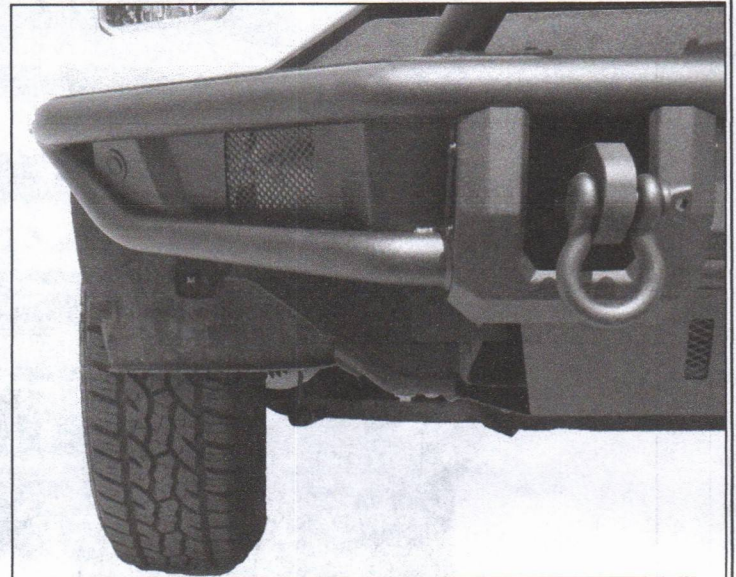


3 Follow (Fig 35 - 38) to attach Bumper Cover Plates and License Plate Bracket to Bumper. Ensure Bumper is level, then tighten all hardware.



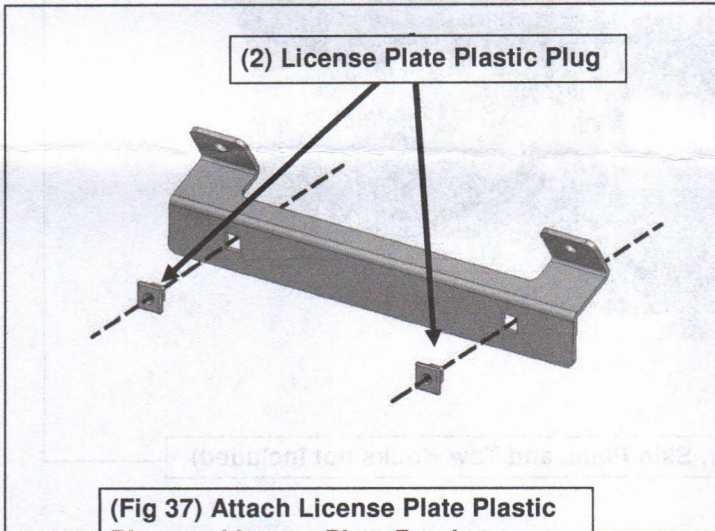
(4) 6mm Button Head Combo Bolts

(Fig 35) Attach U-Cover Plate to Passenger side with indicated hardware. Repeat for Driver Side.



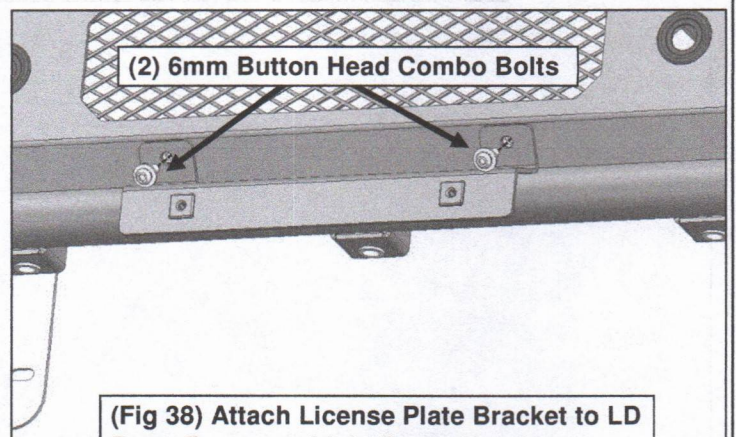
(Fig 36) Attached U-Cover Plate on Passenger side and repeat on other side.

NOTE: Tow Hook not included



(2) License Plate Plastic Plug

(Fig 37) Attach License Plate Plastic Plugs to License Plate Bracket.



(2) 6mm Button Head Combo Bolts

(Fig 38) Attach License Plate Bracket to LD Front Bumper with indicated hardware.

4

Ensure Bumper is level, and all fasteners are tightened at this point, then ensure all connections are secure. Installation is complete. Do periodic inspections to the installation to make sure that all hardware is secure and tight.



Complete Installation (Bull Nose, Lightbar, Skid Plate, and Tow Hooks not included)