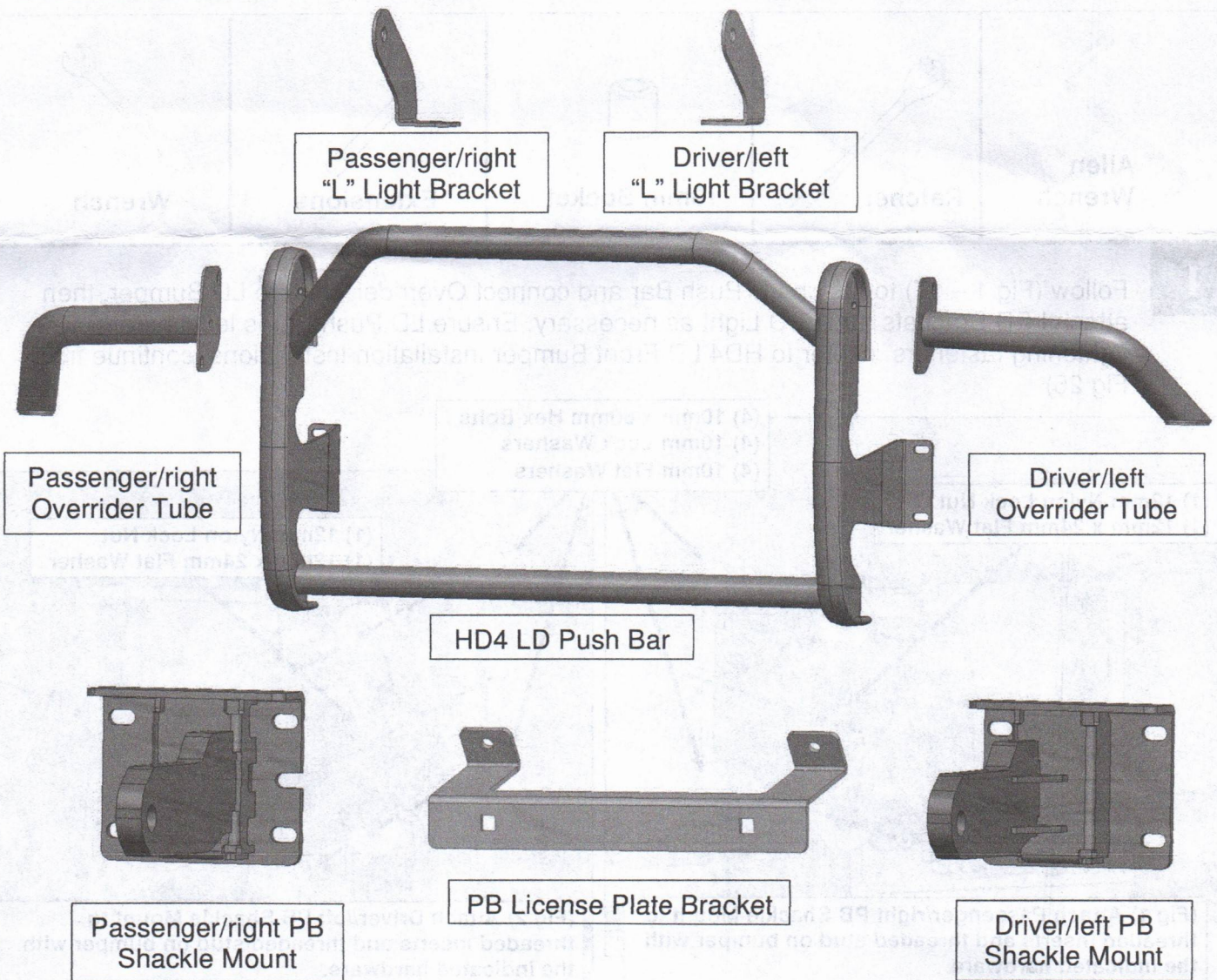


**Installation Instructions**

**PARTS LIST: HS78941**

Qty	Item Description	Qty	Item Description
1	HD4 LD Push Bar	8	10mm Lock Washers
1	Driver/left PB Shackle Mount	8	10mm Plastic Retainers
1	Passenger/right PB Shackle Mount	4	8 – 1.25mm x 25mm Button Head Bolts
1	Driver/left Overrider Tube	4	8 – 1.25mm x 25mm Hex Bolts
1	Passenger/right Overrider Tube	2	8 – 1.25mm x 16mm Hex Bolts
1	Driver/left "L" Light Bracket	8	8mm x 24mm x 2mm STD Flat Washers
1	Passenger/right "L" Light Bracket	8	8mm x 16mm x 1.6mm Small Flat Washers
1	PB License Plate Bracket	10	8mm Lock Washers
2	License Plate Plastic Plug	6	8mm Hex Nuts
2	12mm x 24mm 2.5mm Flat Washers	2	6 – 1.0mm x 20mm Button Head Combo Bolts
2	12mm Nylon Lock Nuts	1	5mm Wrench
8	10 – 1.75mm x 60mm Hex Bolts	1	4mm Wrench
8	10mm x 30mm x 2.5mm Flat Washers		

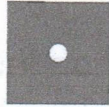




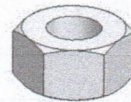
Lock Washer



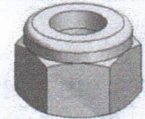
Flat Washer



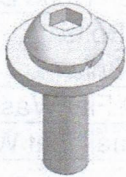
Plastic Retainer



Hex Nut



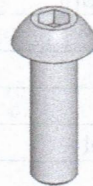
Nylon Lock Nut



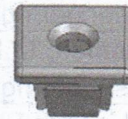
Button Head Combo Bolt



Hex Bolt

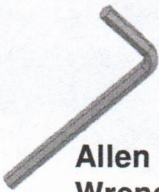


Button Head Bolt



Plastic Plug for License Plate Mount

**TOOLS REQUIRED**



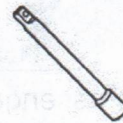
Allen Wrench



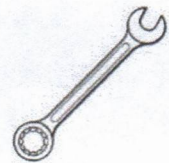
Ratchet



13mm Socket

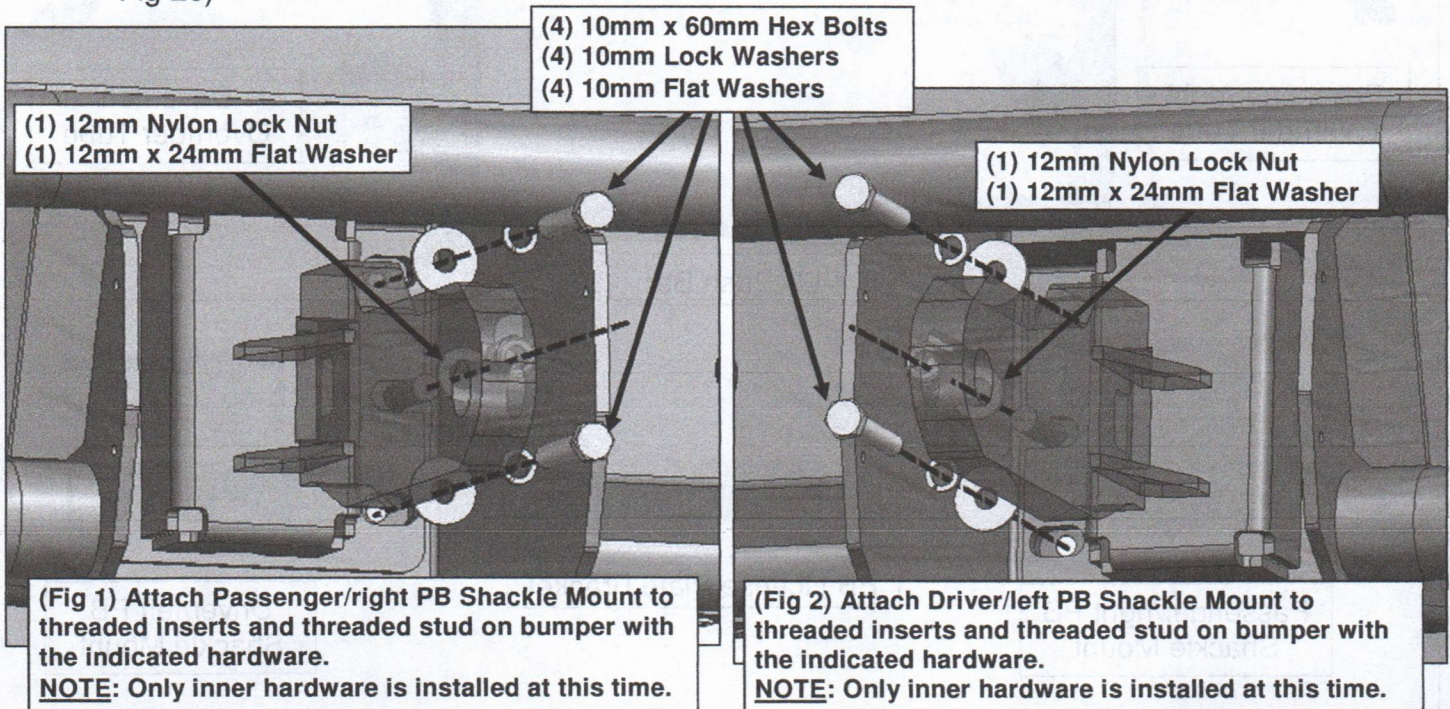


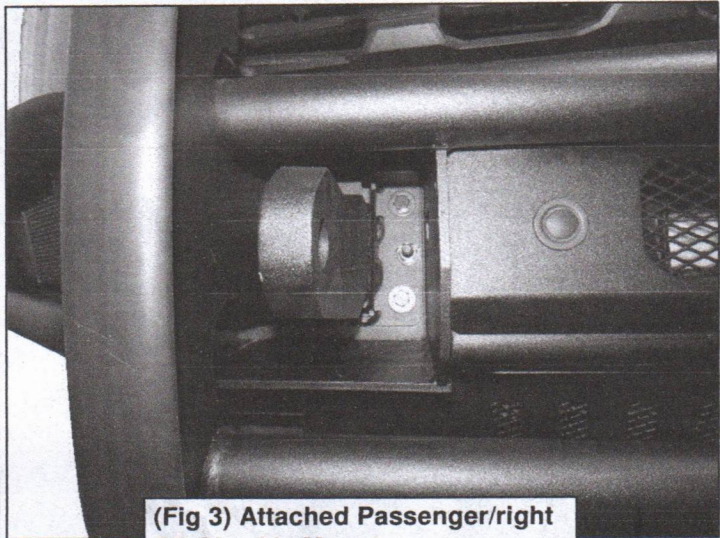
Extensions



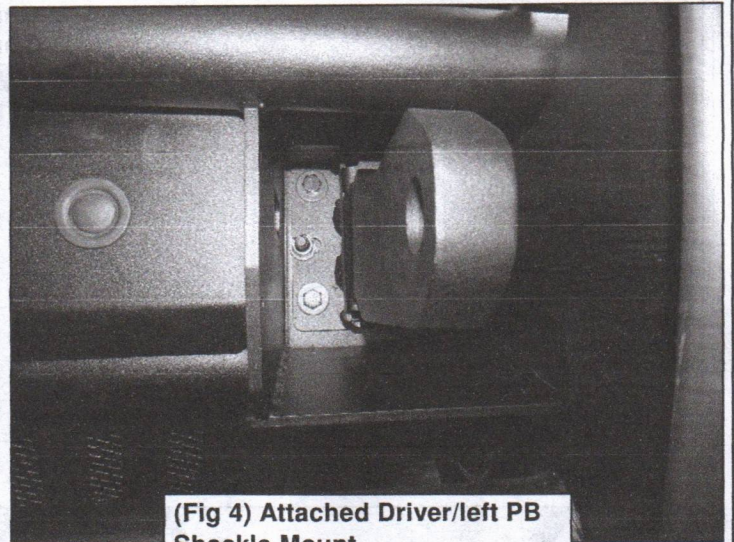
Wrench

**1** Follow (Fig 1 – 17) to attach LD Push Bar and connect Override Tube to LD Bumper, then attach LED Brackets and LED Light as necessary. Ensure LD Push Bar is level before tightening fasteners. (Refer to HD4 LD Front Bumper Installation Instructions, continue from Fig 26)

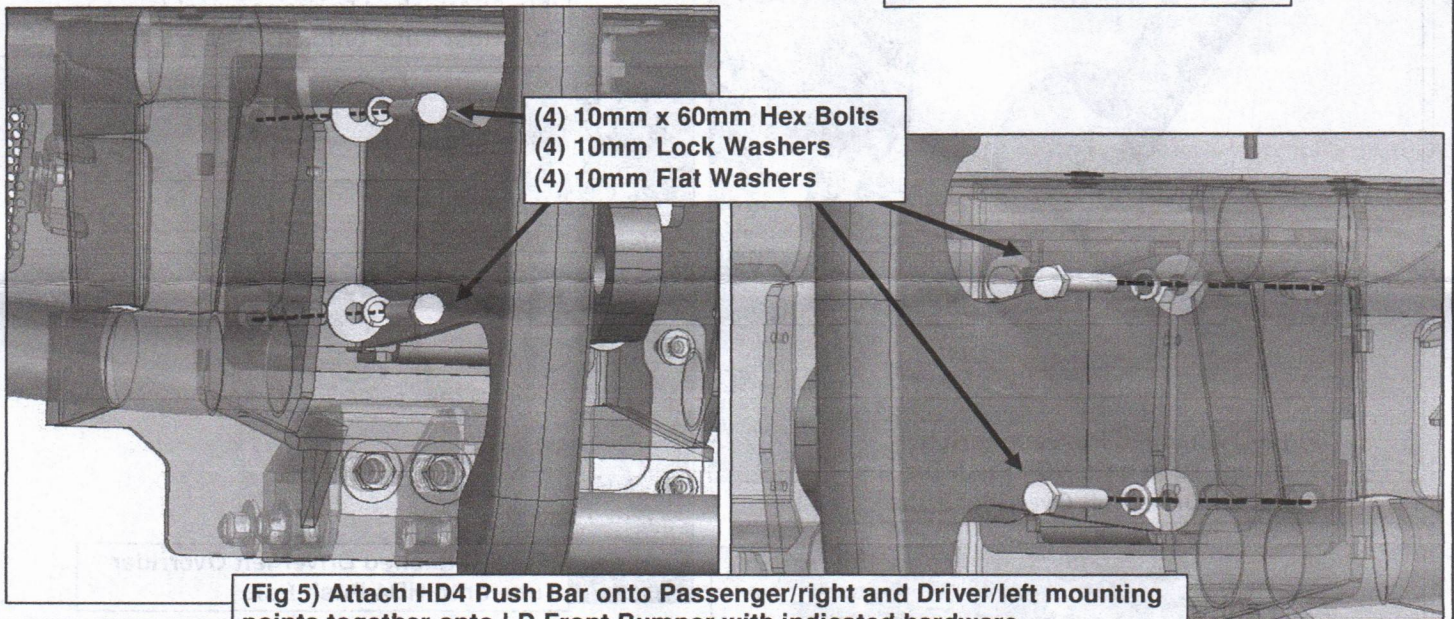




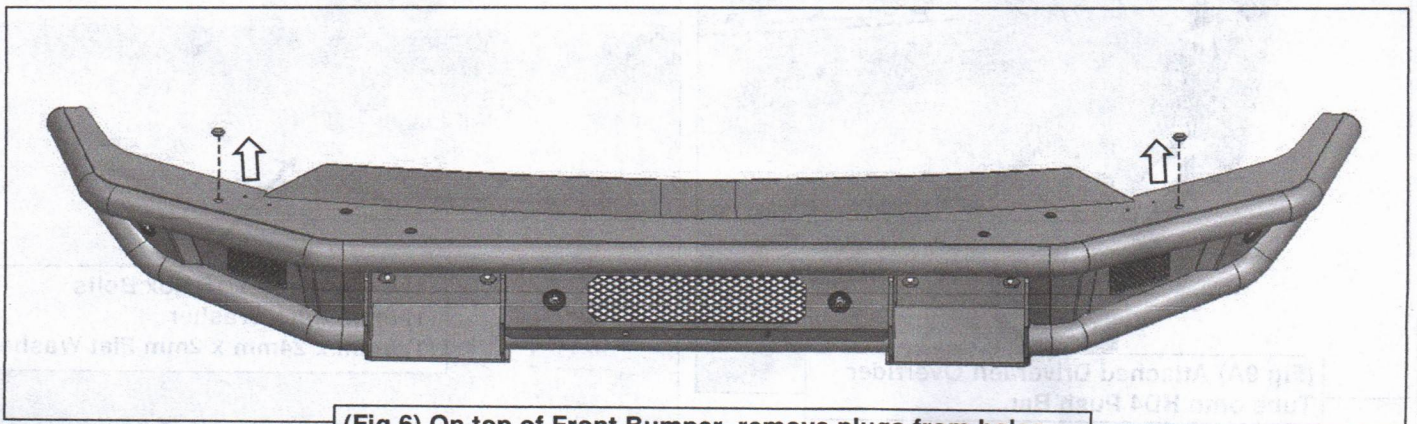
**(Fig 3) Attached Passenger/right PB Shackle Mount.**



**(Fig 4) Attached Driver/left PB Shackle Mount.**

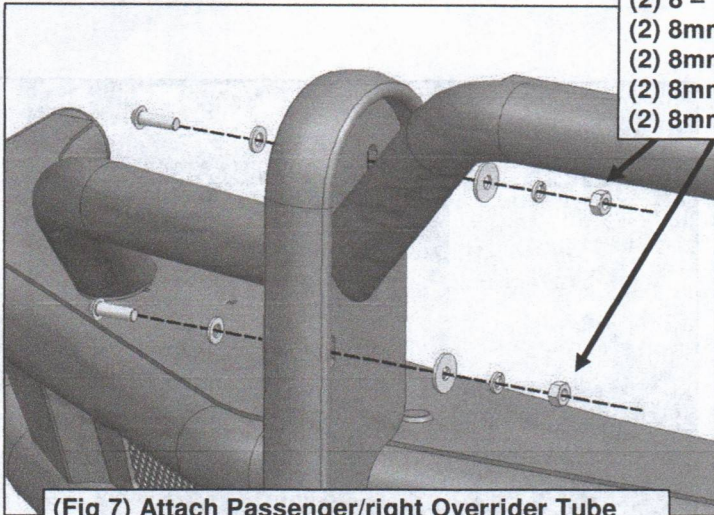


**(Fig 5) Attach HD4 Push Bar onto Passenger/right and Driver/left mounting points together onto LD Front Bumper with indicated hardware.**

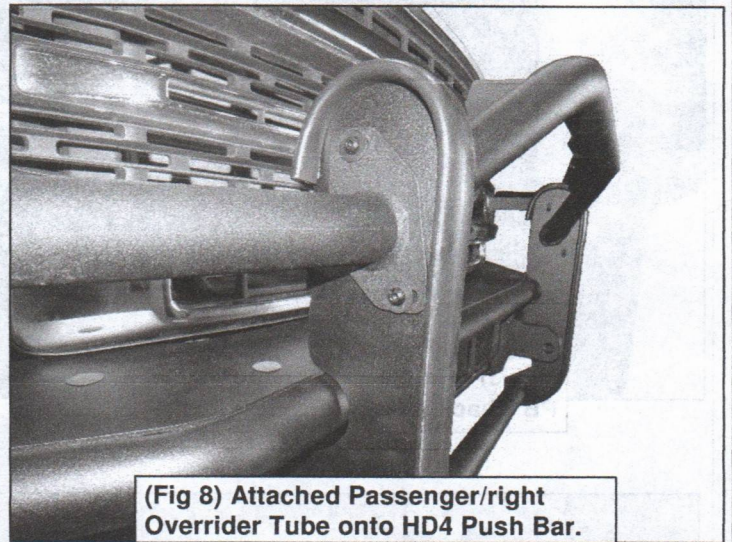


**(Fig 6) On top of Front Bumper, remove plugs from holes.**

- (2) 8 - 1.25mm x 25mm Button Head Bolts
- (2) 8mm x 16mm x 1.6mm Flat Washers
- (2) 8mm x 24mm x 2mm Flat Washers
- (2) 8mm Lock Washer
- (2) 8mm Hex Nut



(Fig 7) Attach Passenger/right Override Tube onto HD4 Push Bar with indicated hardware.



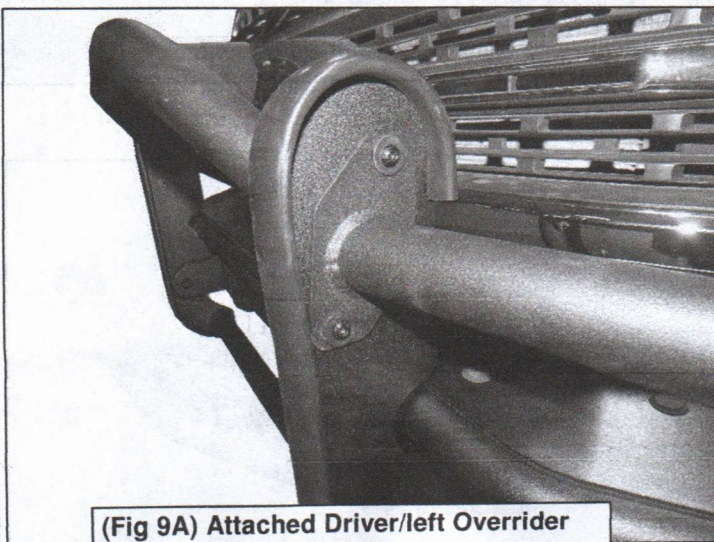
(Fig 8) Attached Passenger/right Override Tube onto HD4 Push Bar.



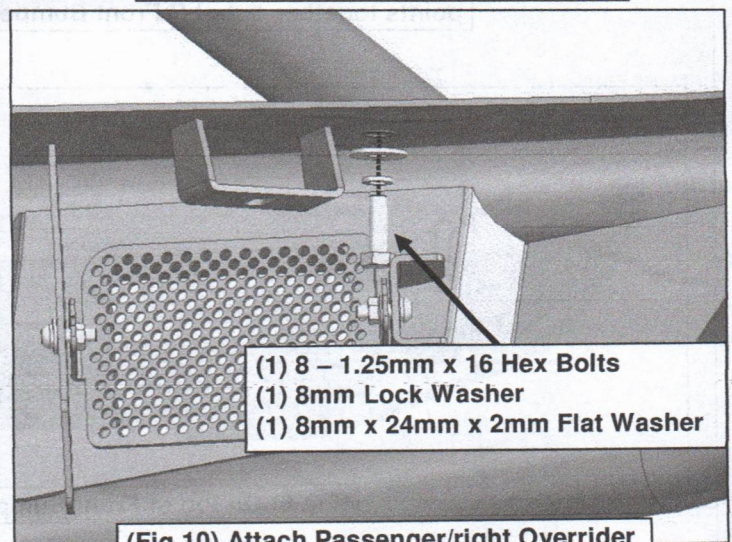
(Fig 8A) Attached Passenger/right Override Tube onto HD4 Push Bar and repeat for Driver/left Override Tube.



(Fig 9) Attached Driver/left Override Tube onto HD4 Push Bar.

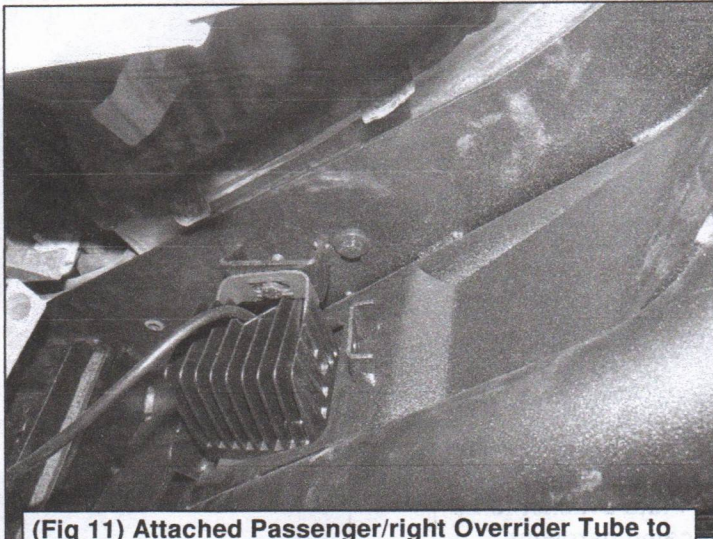


(Fig 9A) Attached Driver/left Override Tube onto HD4 Push Bar.

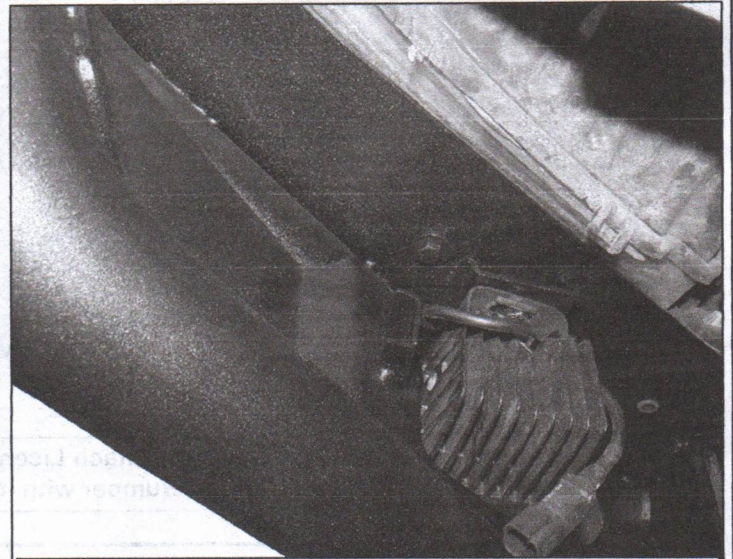


- (1) 8 - 1.25mm x 16 Hex Bolts
- (1) 8mm Lock Washer
- (1) 8mm x 24mm x 2mm Flat Washer

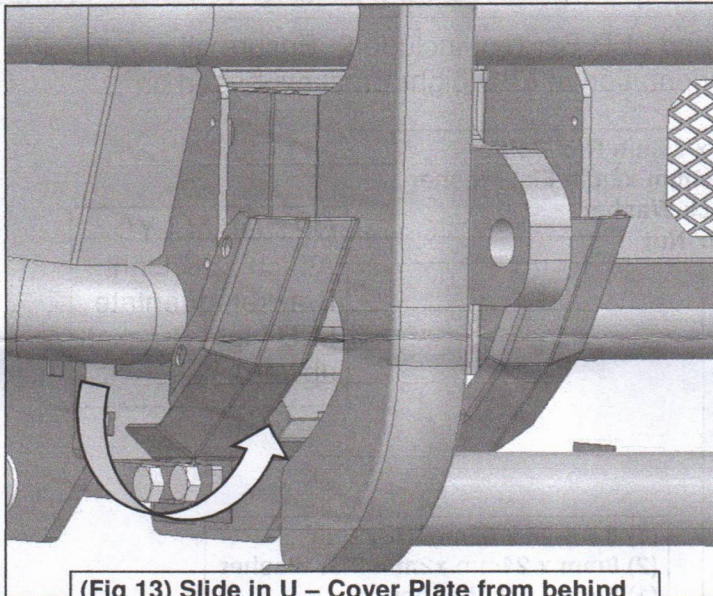
(Fig 10) Attach Passenger/right Override Tube to Bumper with indicated hardware.



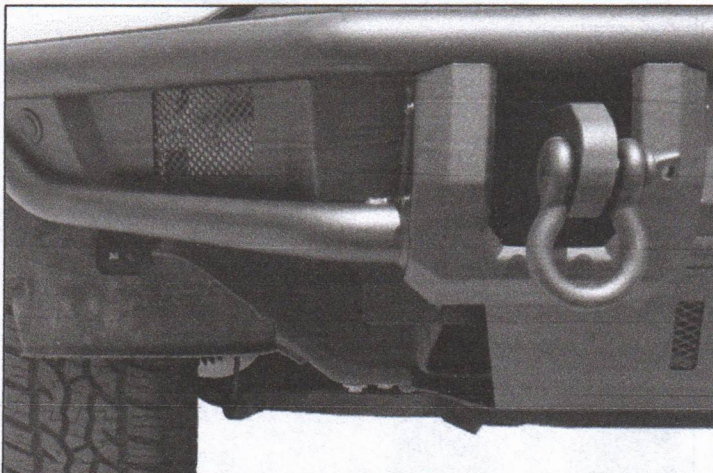
(Fig 11) Attached Passenger/right Override Tube to Bumper and repeat for Driver/left Override Tube.



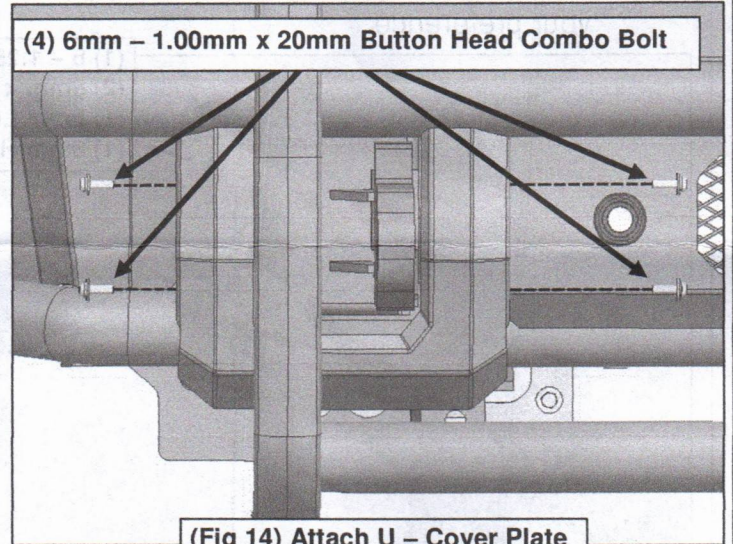
(Fig 12) Attached Driver/left Override Tube to Bumper.



(Fig 13) Slide in U - Cover Plate from behind LD Push Bar to attach to Bumper.

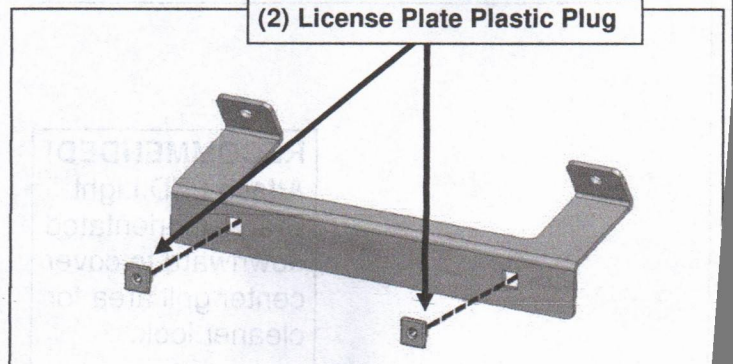


(Fig 15) Attached U-Cover Plate on Passenger side and repeat on other side.  
**NOTE:** Tow Hook not included



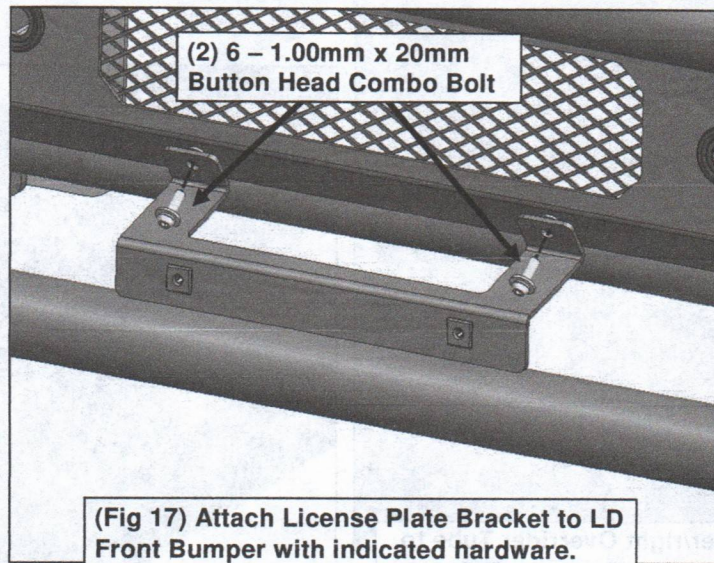
(4) 6mm - 1.00mm x 20mm Button Head Combo Bolt

(Fig 14) Attach U - Cover Plate with indicated hardware.

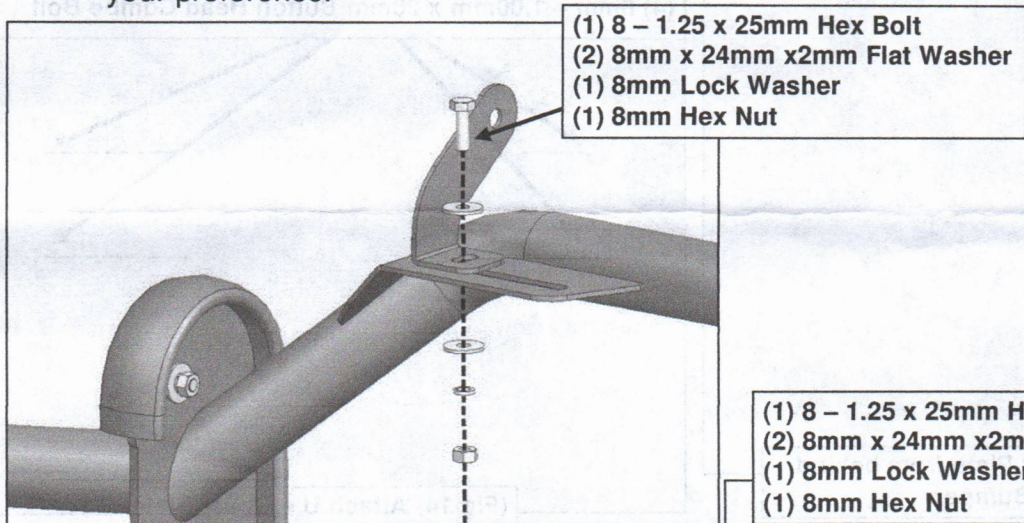


(2) License Plate Plastic Plug

(Fig 16) Attach License Plate Plastic Plugs to License Plate Bracket.



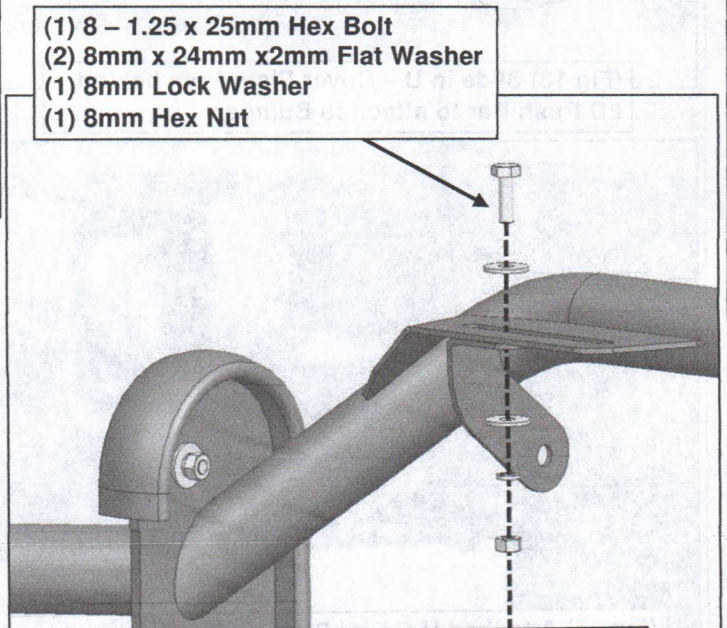
**2** Follow (Fig 18 - 21) to attach LED Brackets and LED Bar (not included). Ensure all fasteners are hand tightened at this point. Orientation of LED Light Brackets based on your preference.



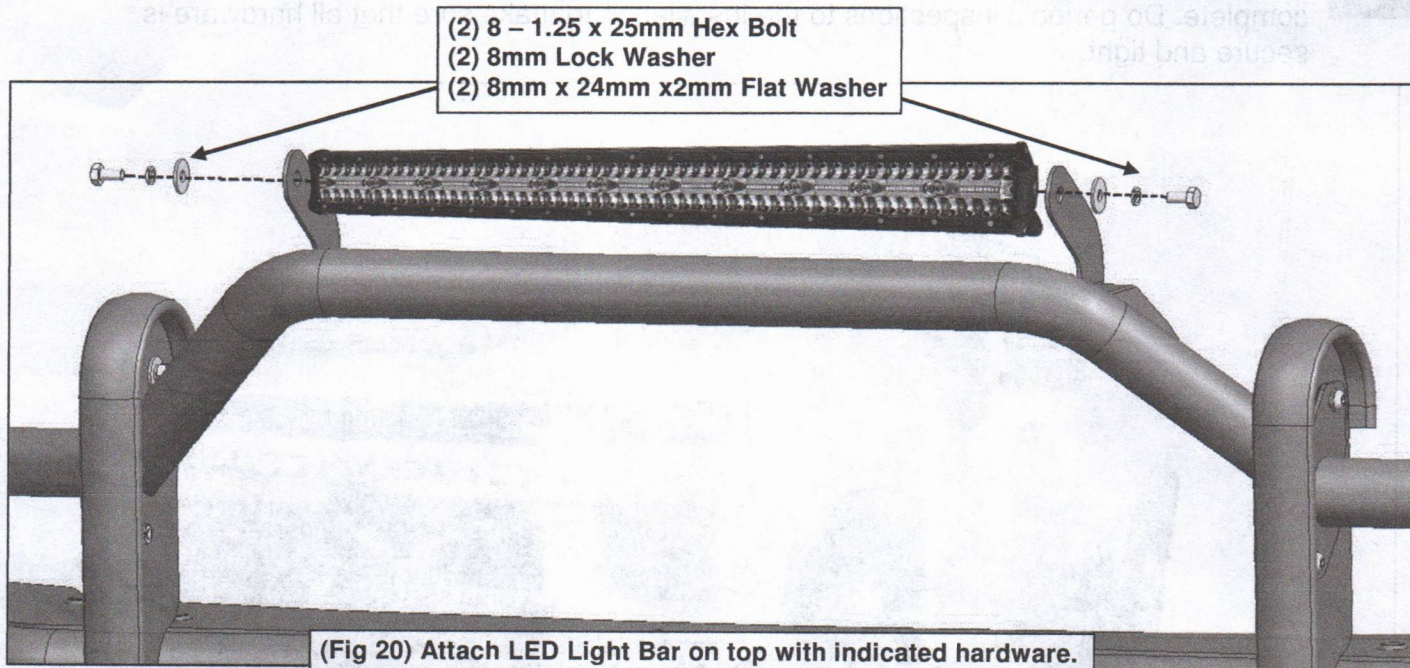
(Fig 18) Attach Driver/left "L" Light Bracket to insert on backside of Push Bar and repeat for Passenger/right "L" Light Bracket.

**OPTIONALLY!**  
Attach LED Light Bracket, orientate LED Light Bracket upward.

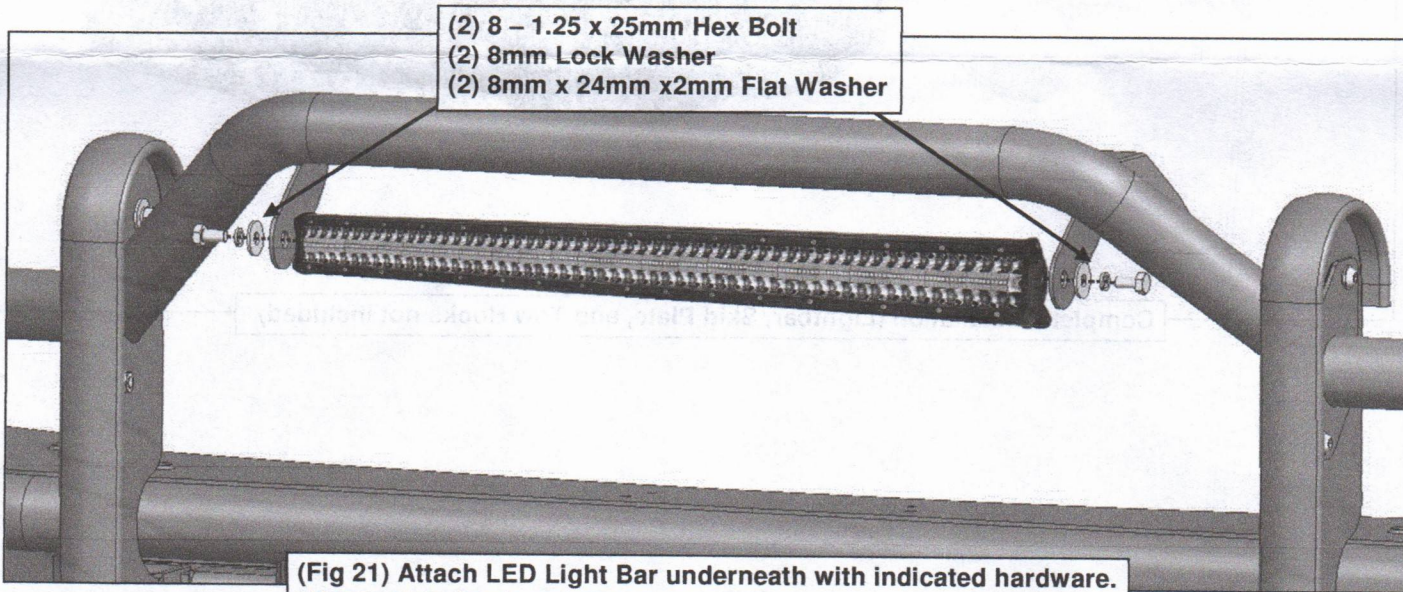
**RECOMMENDED!**  
Attach LED Light Bracket, orientated downward to cover center grill area for cleaner look.



(Fig 19) Attach Passenger/right "L" Light Bracket to insert on backside of Push Bar and repeat for Driver/left "L" Light Bracket.



(Fig 20) Attach LED Light Bar on top with indicated hardware.  
**NOTE:** Light bar is not included



(Fig 21) Attach LED Light Bar underneath with indicated hardware.  
**NOTE:** Light bar is not included

**3**

Ensure Push Bar is level and properly fit, then tighten all fasteners. Installation is complete. Do periodic inspections to the installation to make sure that all hardware is secure and tight.



**Complete Installation (Lightbar, Skid Plate, and Tow Hooks not included)**