

71-4224/468



**IRON CROSS**  
AUTOMOTIVE INC.

04-14 Ford F-150 Reg, Super, Crew Cabs

**PARTS LIST**

QTY	PARTS	QTY	PARTS
12	5/16" X 1.25" Hex Bolt	6	Brackets
12	5/16" Flange Bolt	12	3/8" Flange Bolt
24	5/16" Flat Washer	6	Double Rail Tabs
12	5/16" Flange Nut	12	5/16" Nut Clip

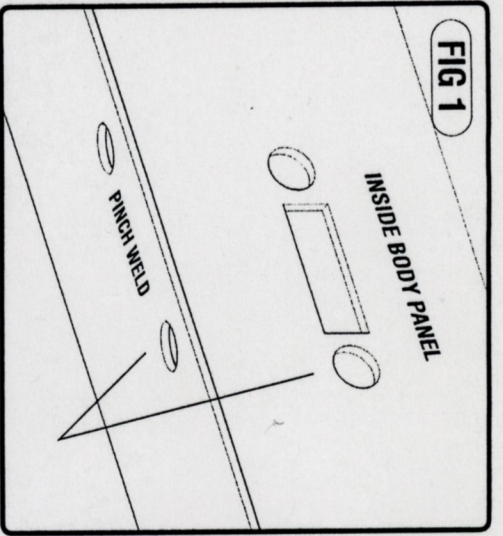
(866) 476-6276 / (866) IRONCROSS  
 www.ironcrossautomotive.com  
 4942 E. 66th St. North  
 Tulsa, OK 74117  
 IRON CROSS AUTOMOTIVE INC. 2008

**BRACKET INSTALLATION**

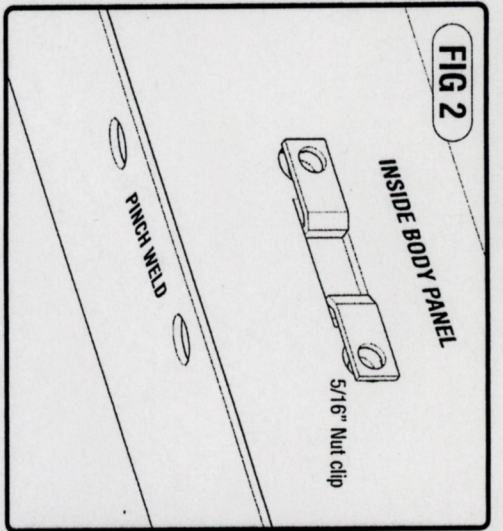
- 1) Remove contents from box and check for damaged parts. Verify all parts are present, making sure to read and understand instructions before install.
- 2) Locate factory holes on inside body panel and pinchweld. **Fig 1** Regular Cabs have 2 mount locations, Super Cabs and Crew Cabs have 3.
- 3) Install nut clip into factory location. **Fig 2**
- 4) Position the bracket to the pinch weld holes. Install 5/6" hex bolt and 5/16" flat washer through pinch weld and holes "**B**" on bracket. Thread 5/16" flange nut onto hex bolt and tighten. **Fig 3**
- 5) Install 5/16" flange bolt through holes "**A**" on bracket into nut clips and tighten. **Fig 3**
- 6) Repeat install on passenger side.

**TUBE AND RAIL INSTALLATION** (*Tubes and rails are not driver and passenger side specific. They fit both sides universally*)

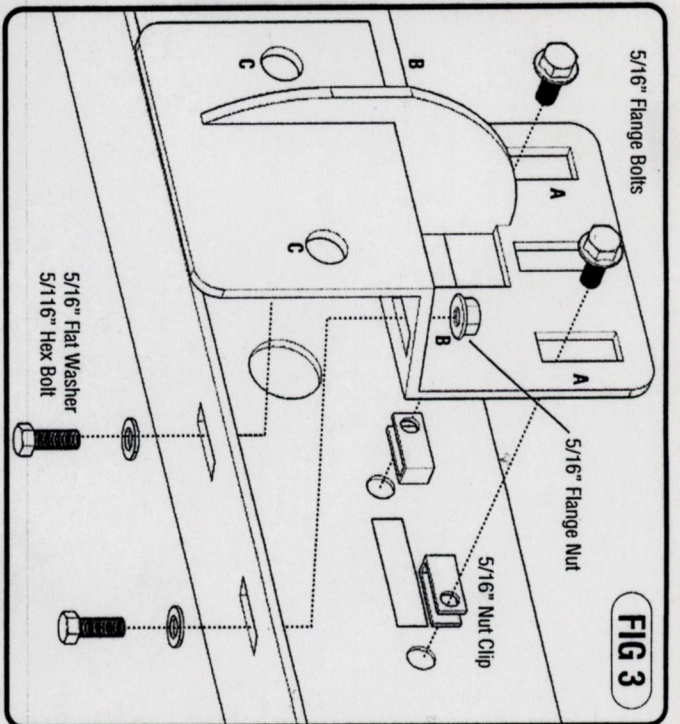
- 1) Tube and rail come preassembled in box. Unassemble tube and rail before install. You may loosen hex bolt and slide rail from tube leaving hex bolt and rail tab on the tube brace.
- 2) Insert 3/8" hex bolt into hole "**C**" of front bracket and loosely thread rail-tab to bolt a few turns. Slide rail onto rail-tabs. *Hand tighten at this time.* **Fig 4**
- 3) Slide middle bracket rail-tabs into rail and then attach rail to REAR bracket with 3/8" hex bolt and rail-tab. **Fig 4**  
*Hand tighten at this time.*
- 4) Hold middle rail-tabs with fingers to thread 3/8" hex bolt through bracket into tab and tighten. *Hand tighten at this time.*
- 5) With 3/8" hex bolt and rail-tab fixed to TUBE BRACE, side onto bottom side of rail at near the rear bracket. **Fig 5**
- 6) Attach front of tube to rail by sliding rail-tab in to position and threading 3/8" hex bolt through tube brace. *Hand tighten at this time.*
- 7) Push up on rail when making final adjustments. **TIGHTEN ALL REMAINING BOLTS TO COMPLETE INSTALL.** 40 FT LBS. MAX TORQ



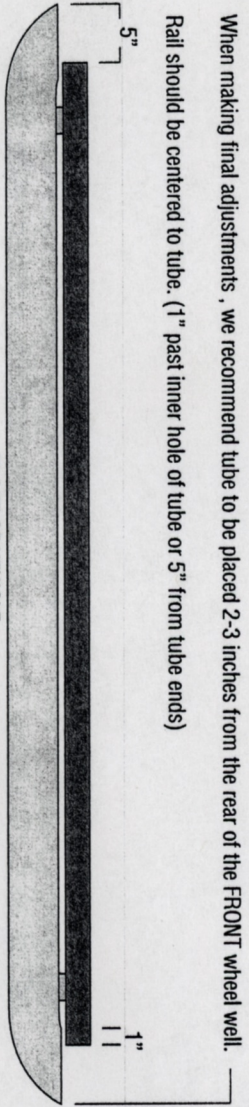
**FIG 1**



**FIG 2**



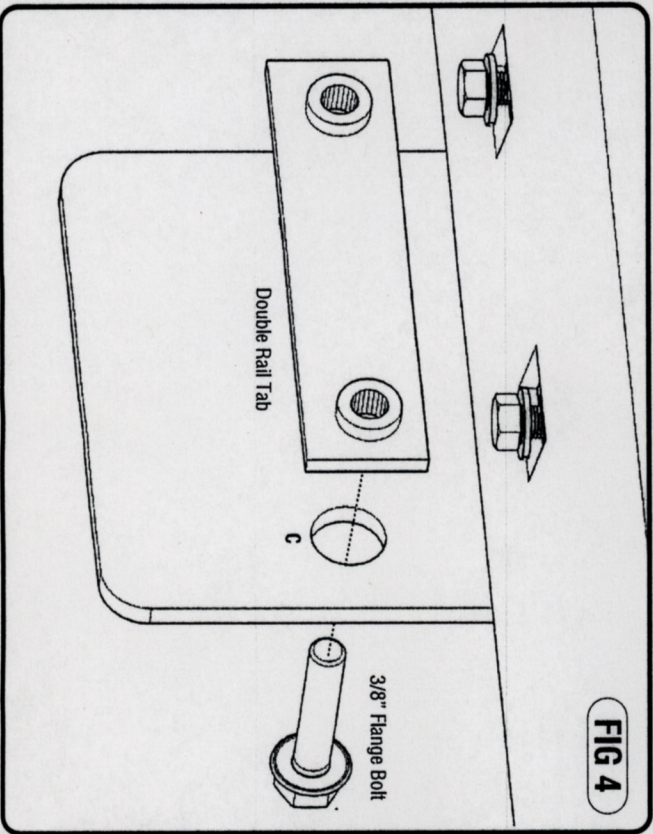
**FIG 3**



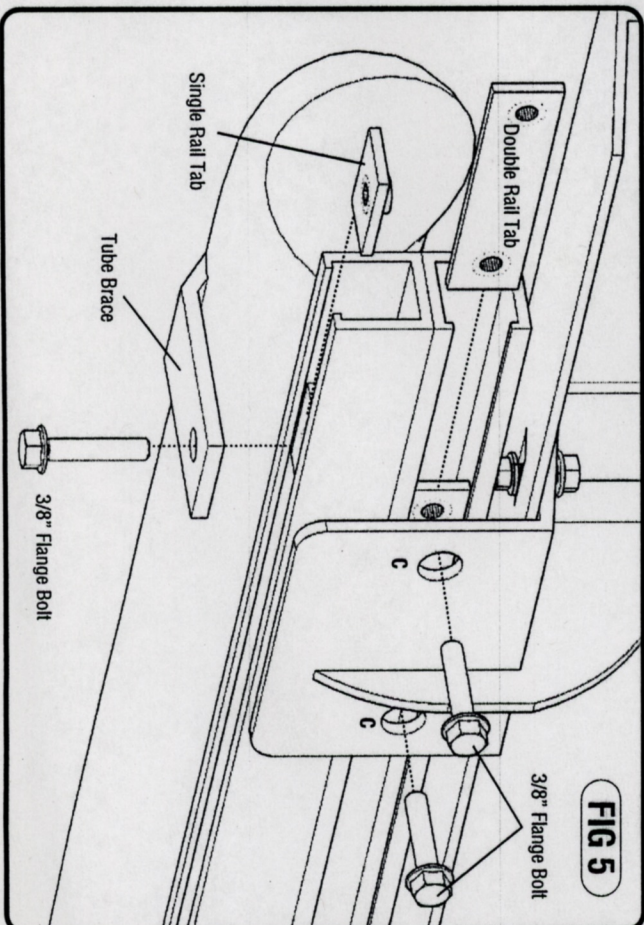
When making final adjustments, we recommend tube to be placed 2-3 inches from the rear of the FRONT wheel well.

Rail should be centered to tube. (1" past inner hole of tube or 5" from tube ends)

FRONT OF VEHICLE →



**FIG 4**



**FIG 5**

**09 F-150 Middle bracket install: Use (1) nut clip and flange bolt for center hole mount.**

**PARTS LIST**

QTY	PARTS
2	Drop Step
8	3/8" Flange Bolts
4	4"x1.25" Rail-tab

(866) 476-6276 / (866) IRONCROSS  
www.ironcrossautomotive.com  
4942 E. 66th St. N.  
Tulsa, OK 74117  
IRON CROSS AUTOMOTIVE INC. 2008

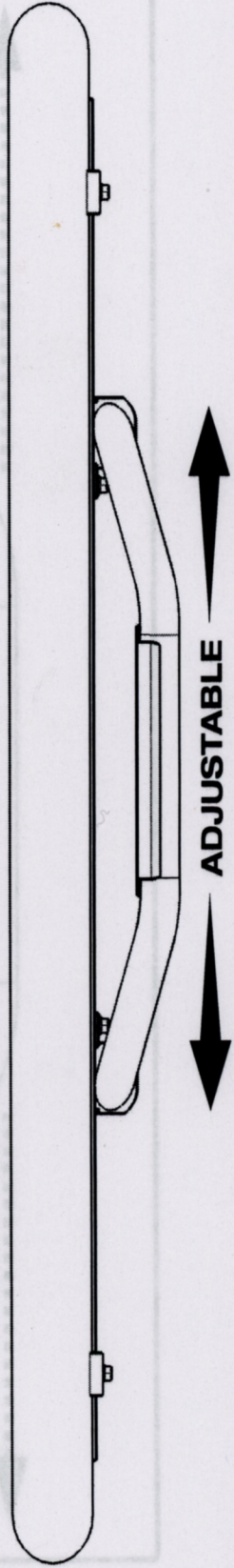


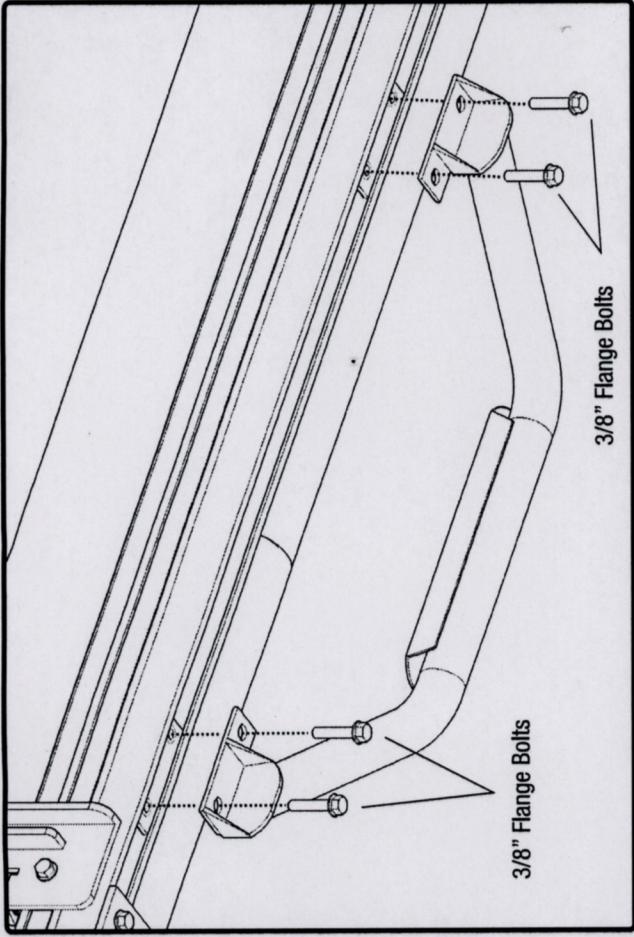
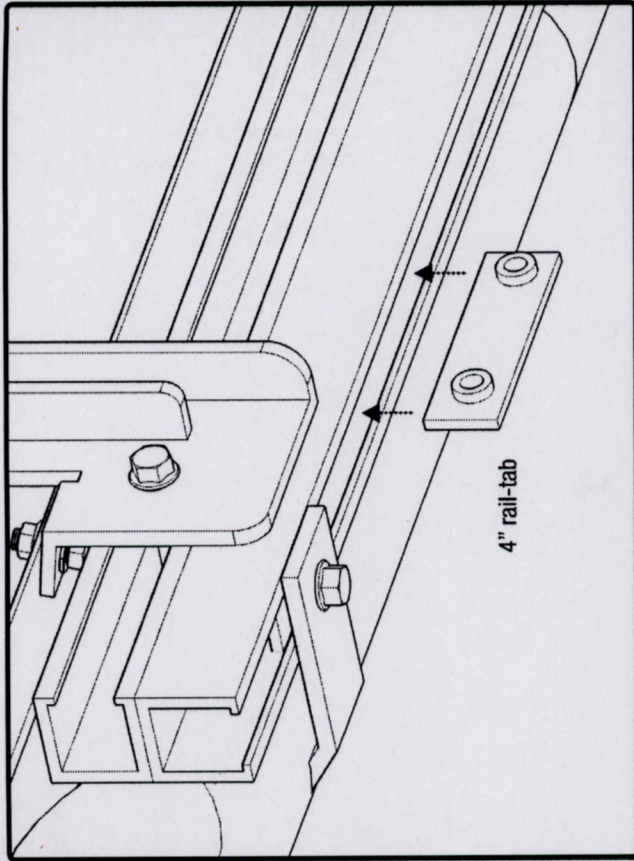
**\*\*Drop step is designed to work with tube and rail system that is purchased separately.**

**DROP STEP INSTALLATION**

- 1) Remove contents from box and check for damaged parts. Verify all parts are present, making sure to read and understand instructions before install.
- 2) Tube and rail should be mounted to vehicle before drop step installation.
- 3) Place (2) 4" wide threaded rail-tabs up into rail. Turn tab with fingers until tab can slide into narrow opening on the bottom of the rail.
- 4) Position step brace to rail and rail-tabs. Thread 3/8" flange bolt through holes on outer ends of step brace. Leave loose and hand tighten at this time.
- 5) Thread 3/8" flange bolt into the inner holes of step brace. Leave loose and hand tighten at this time.
- 6) With all (4) bolts lightly threaded into rail-tabs, slide step to desired position on rail.
- 7) Once in position, tighten outer (2) bolts first and then inner (2) bolts.
- 8) Repeat process to install step to other side of vehicle

Patented pending design allows an adjustable foot step to be positioned at any mounting point along tube.





Step is designed to slide to the right and left along rail. Once in desired position, tighten all bolts.

