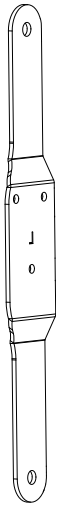


MOUNTING BRACKET INSTALLATION - FORD F-150/F-250/F-350

PLEASE READ ENTIRE INSTRUCTIONS BEFORE PROCEEDING WITH INSTALLATION

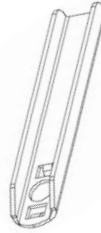
Part #: 74602-01A



1 x2
No Drill
Mounting
Bracket



2 x4
M8 Button
Head Bolt



4 x4
Hold Down
Bracket



3 x4
M8 Internal
tooth washer



5 x4
M8 Nut

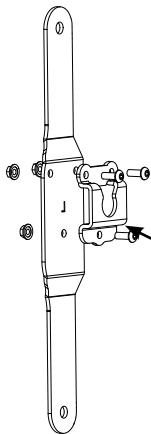
Required Tools:

5mm Hex Key

Additional Tools for
bedliner installation:

Marker
Center Punch
Drill
1/4" Drill Bit
9/16" Drill Bit

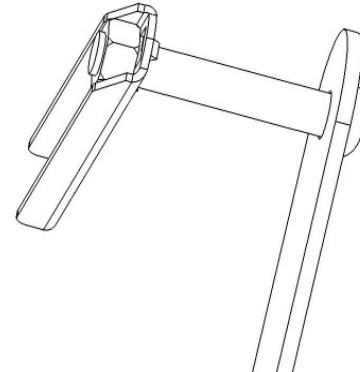
Assemble No Drill Bracket and Universal Mounting Bracket as shown below.



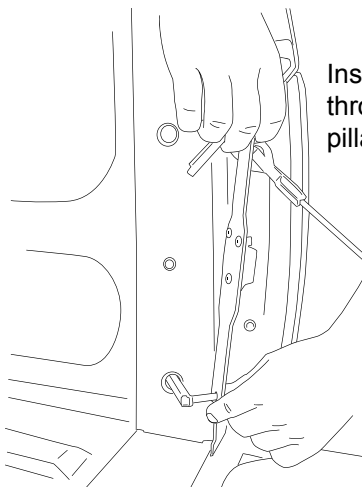
Universal Mounting
Bracket from X-Tender
kit

1

Pass button head bolt through internal tooth washer, mounting bracket and hold down bracket and engage with nut.



2

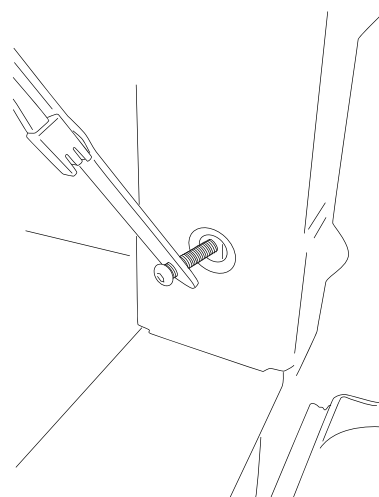


Insert hold down bracket
through lower hole of the bed
pillar.

(Passenger side shown.)

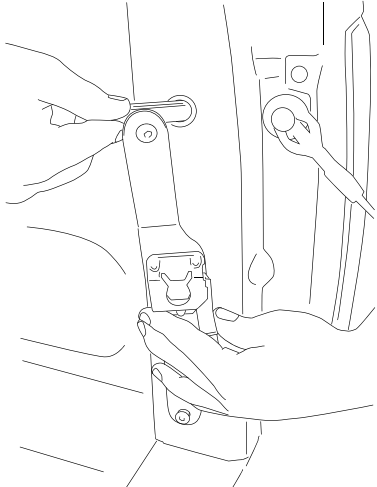
3

Position hold down bracket so that
it is completely inside the hole.



4

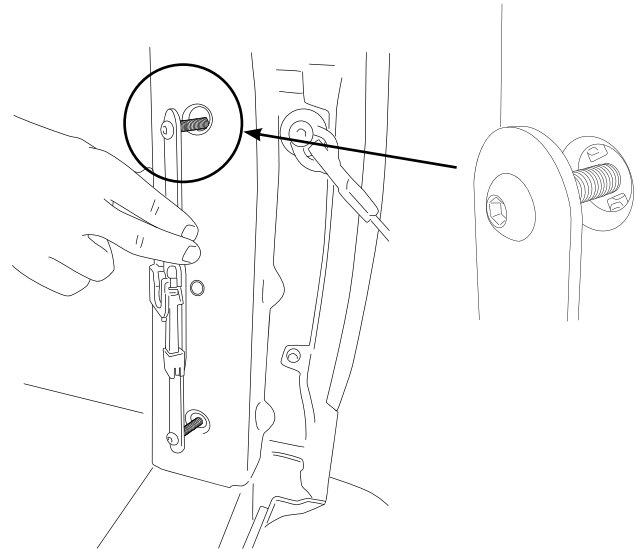
MOUNTING BRACKET INSTALLATION - FORD F-150/F-250/F-350



Repeat for top hole.

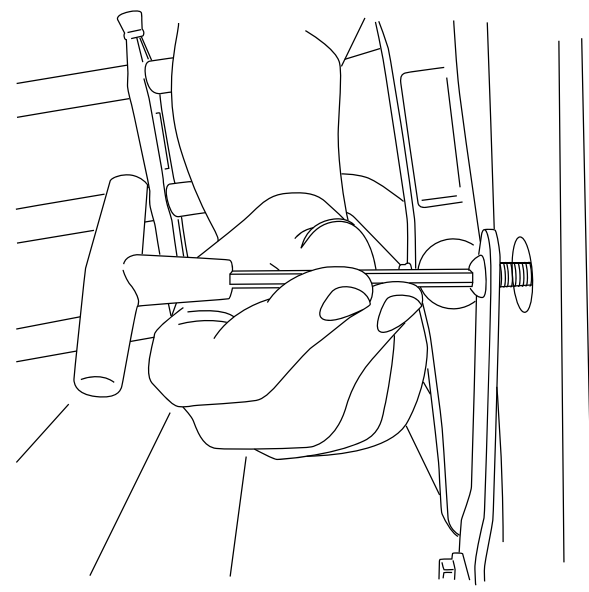
5

Once both hold down brackets are in place, pull on the mounting bracket assembly to position the hold down brackets. Make sure that the protrusions on the hold down bracket engage themselves with the edge of the hole.



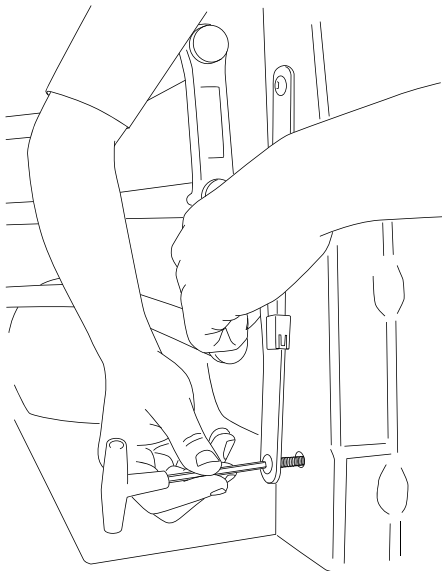
6

Continue to pull the mounting bracket away from the bed pillar while tightening the upper button head bolt.



7

Repeat for lower hole. Torque to 22 ft.lbs. Repeat steps 1-8 for vehicles without bedliner and steps 9-14 for vehicles with bedliner on other side.

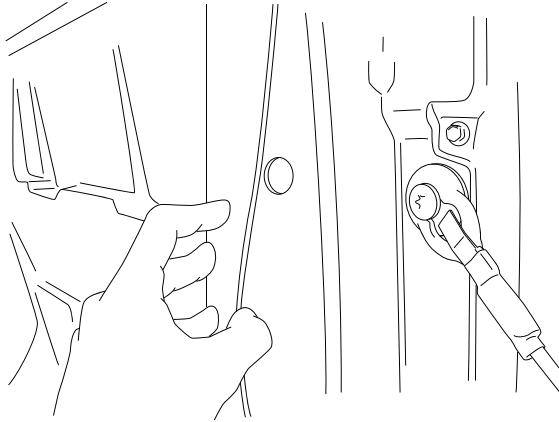


8

MOUNTING BRACKET INSTALLATION W/ BEDLINER - FORD F-150/F-250/F-350

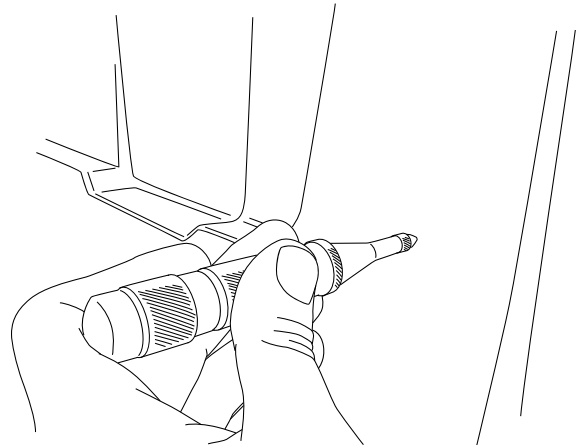
Lift bedliner to locate the mounting holes on the bed pillar.

(Passenger side shown.)



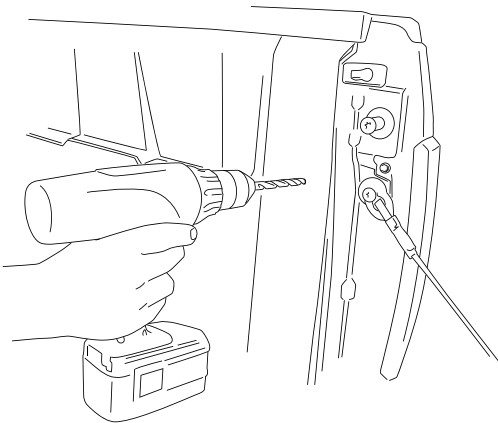
9

Mark hole position on bedliner for both top and bottom holes and center punch to make a drill guide.



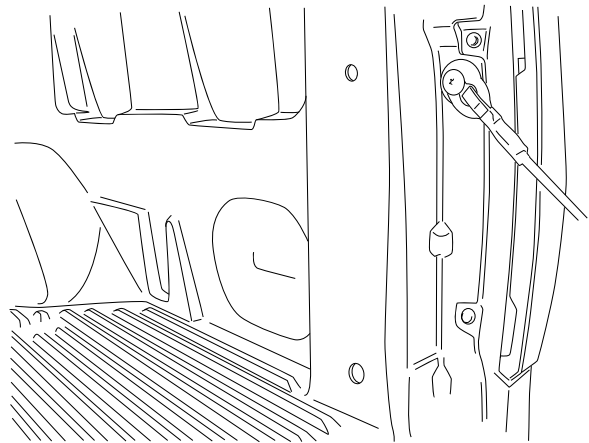
10

With a 1/4" or smaller drill bit, drill a pilot hole through the bedliner. Use a 9/16" drill bit to open up the holes.



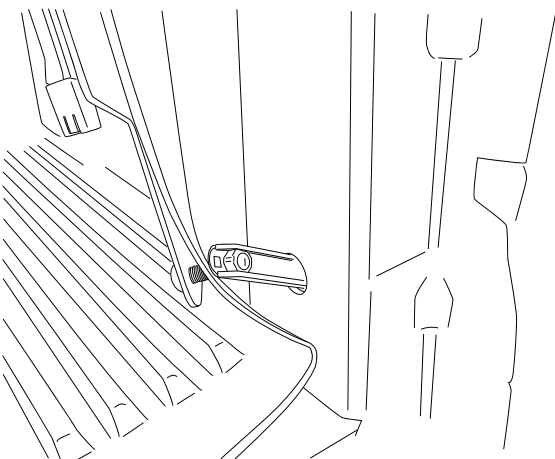
11

Verify that the holes are large enough and align with the factory bed pillar holes.



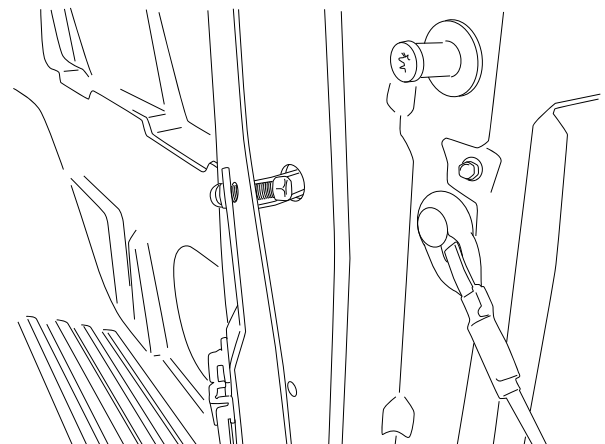
12

Insert hold down bracket through the lower hole of the bedliner and bed pillar.



13

Repeat for top hole. Refer to steps 5-8 to complete installation.



14