



ZROADZ

DYNAMIC LED MOUNTING SOLUTIONS



2010-2014 FORD SVT RAPTOR

Z325651 / Z325651-KIT FRONT BUMPER LED LIGHT MOUNTS

PARTS ARE PATENT PENDING. ALL RIGHTS RESERVED - COPYRIGHT ©2016 - ZROADZ LED, INC.

PARTS INCLUDED

ZROADZ BRACKETS

- (1) Driver Side Top Bracket Plate
- (1) Passanger Side Top Bracket Plate
- (2) Hanging Bracket Adjustmnet Plate



LED LIGHTS INCLUDED

- * **APPLIES TO KIT ONLY** *
- (2) 6" ZROADZ LED Light Bar

HARDWARE INCLUDED

Z325651

- (4) - 1/2 - 13 x 1 1/2" Grade 8 Hex Bolts
- (4) - 1/2" Lock Washers
- (4) - 1/4" Bolts
- (4) - 1/4" Nuts
- (4) - 1/4" Lock Washers
- (4) - 1 x 1/4 Fender Washers

Z325651-KIT

- (4) - 1/2 - 13 x 1 1/2" Grade 8 Hex Bolts
- (4) - 1/2" Lock Washers
- (4) - 1/4" Bolts
- (4) - 1/4" Nuts
- (4) - 1/4" Lock Washers
- (4) - 1 x 1/4 Fender Washers
- (1) - Torx Bit T-40
- (4) - M8 Split Lock Washers
- (4) - M8 Tamper Proof Button Head Allen Cap
- Stainless Steel Bolts



TOOLS REQUIRED

- Various Socket Set
- Various Wrenches
- Ratchet Tool
- Ratchet Extensions

INSTALLATION GUIDE

START HERE

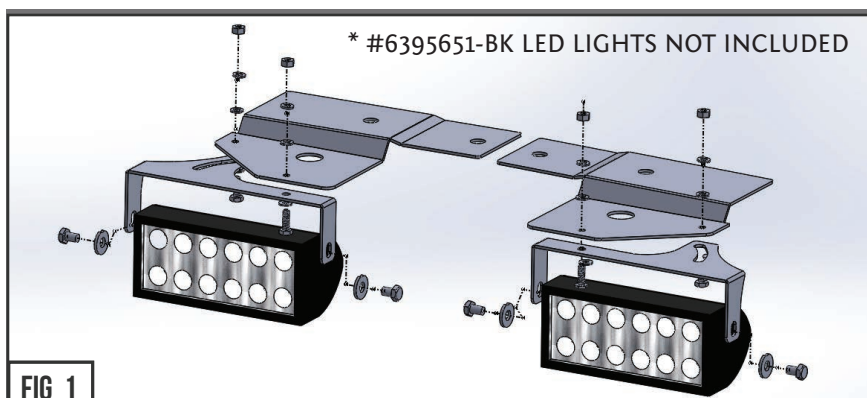
PLEASE READ AND UNDERSTAND ALL INSTRUCTIONS BEFORE INSTALLATION. Auto makers offer varied models to each vehicle and occasionally manufacture more than one body style of the same model . .

* APPLICATION MODELS VARY. WE RECOMMEND TO VERIFY FITMENT BEFORE BEGINNING INSTALLATION
* IMAGES FEATURED IN THE INSTRUCTION DOCUMENTS MAY NOT ALWAYS EXACTLY MATCH YOUR GRILL.

BEFORE YOU BEGIN

- 1) Turn off engine and chalk tires with stop block.

LED LIGHT BRACKET INSTALLATION



STEP 2

SEE FIGURE 1 & 2

- 2) Assemble the hanging bracket adjustment plate to the LED Light Bar making sure to position the bolts so that they point up away from the lights.

STEP 3

- 3) Fix hanging bracket adjustment plate to large bracket plate just as the diagram presents.



* LED LIGHTS INCLUDED IN #Z325651-KIT ONLY



ZROADZ

DYNAMIC LED MOUNTING SOLUTIONS

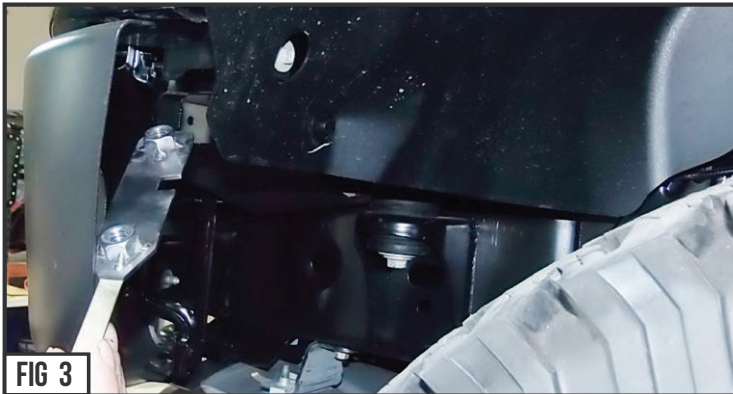


FIG 3

STEP 4

SEE FIGURES 3

4) Insert the LED bolt-on bracket into the bumper frame reinforcement behind the front exterior bumper driver side. Make sure the welded hex nuts are pointing up.



FIG 4

STEP 5

SEE FIGURE 4

5) Line up the threads to the holes on the bumper frame.



FIG 5

STEP 6

SEE FIGURE 5

6) From underneath the vehicle access the bumper and take your LED Light with the fully assembled bracket kit and insert into the driver side bumper opening.



FIG 6

STEP 7

SEE FIGURE 6

7) Line up the holes of the upper assembly plate with the bolt-on bracket's hex nut threads which was previously inserted during step 4.

Screw in the provided (2) 1" hex bolt with lock washer to each hole. Adjust as needed and tighten hardware when satisfied with LED Light adjustment.

STEP 8

SEE FIGURE 7

8) Repeat the same install process on the passanger side of vehicle. Installation Complete!

EXAMPLE INSTALLED COMPLETE



FIG 7

INSTALL PROCESS COMPLETE