



INSTALLATION INSTRUCTIONS

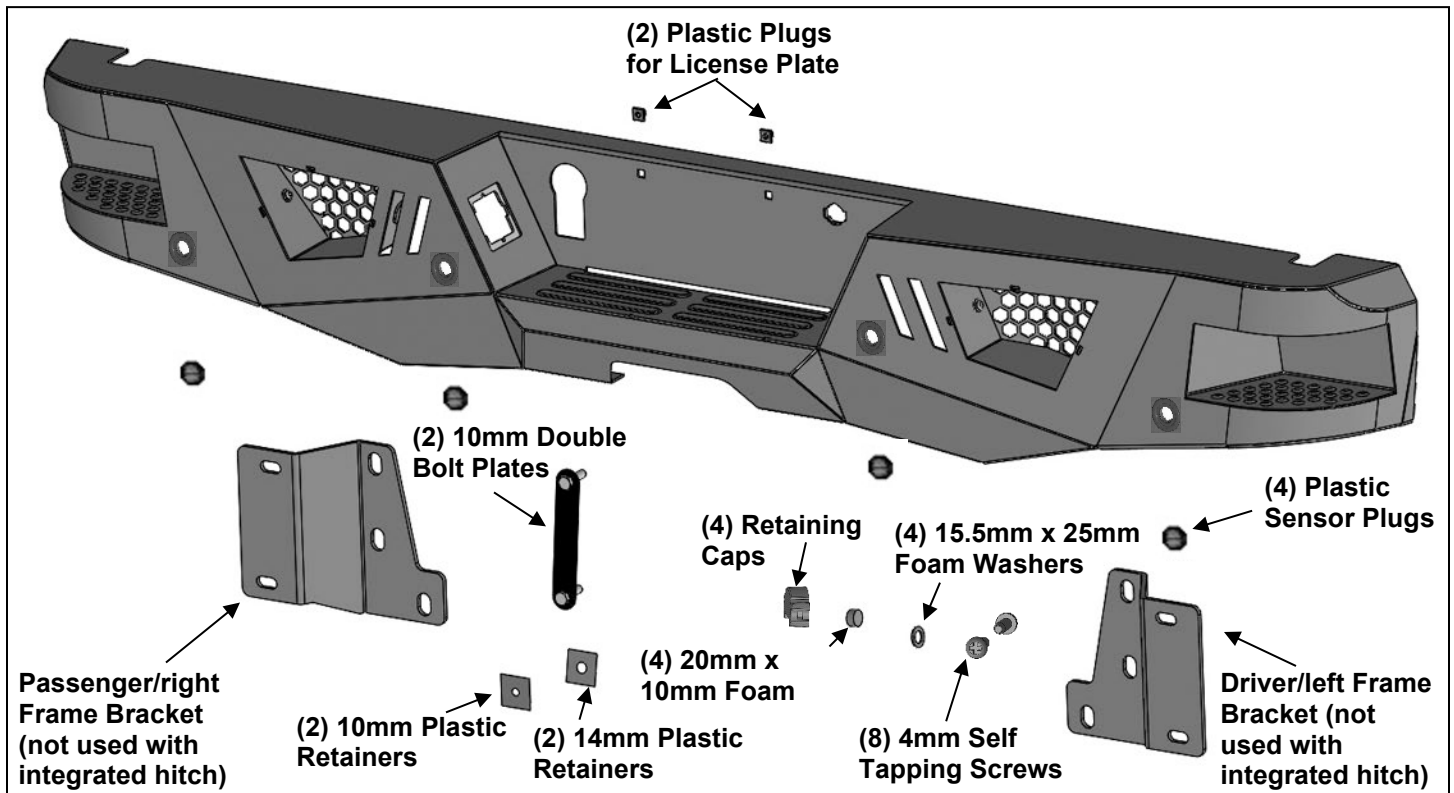
LD1 REAR BUMPER

2015-20 FORD F150

T530971 / T542752

PARTS LIST: T530971 T542752

1	LD1 Rear Bumper Assembly	6	14mm Plastic Retainers
1	Driver/left Mounting Bracket	4	10mm Plastic Retainers
1	Passenger/right Mounting Bracket	2	10mm x 35mm Double Bolt Plates
2	Plastic Plugs for license plate mount	4	10mm x 30mm x 2.5mm Flat Washers
4	Sensor Plastic Plugs	4	10mm Nylon Lock Nuts
4	Sensor Retaining Caps	8	4mm Self Tapping Screws
4	20mm x 10mm Foam Spacers	1	4mm Wrench
4	15.5mm x 25mm x 2mm Foam Washers	10	Nylon Wire Ties
1	Sensor Covers Kit		



PROCEDURE:

REMOVE CONTENTS FROM BOX. VERIFY ALL PARTS ARE PRESENT. READ INSTRUCTIONS CAREFULLY BEFORE STARTING INSTALLATION. BUMPER IS HEAVY, ASSISTANCE IS RECOMMENDED TO AVOID POSSIBLE INJURY OR DAMAGE TO THE VEHICLE.

IMPORTANT: OEM BUMPER REINFORCEMENT USED WITH “STANDARD” TOW PACKAGE WITHOUT RECEIVER HITCH CANNOT BE REINSTALLED. OE INTEGRATED “HD” HITCH, “MAX DUTY” HITCH AND MOST AFTERMARKET RECEIVER HITCHES REQUIRED FOR TOWING.

1. Remove the license plate from the bumper, **(Figure 1)**. Next, unplug the license plate lights, trailer plug and sensors, (if equipped). Release the wiring harness from the clips attached to the back of the bumper. Move all wiring harnesses away from bumper. **NOTE:** Bumper is designed to be compatible with larger 7-wire universal trailer harness plug only.
2. Place blocks or jack stands under the bumper to support it during mounting bolt removal. Once the bumper has been safely supported, remove the factory hardware attaching the bumper to the end of the frame and remove the bumper assembly, **(Figures 3A, 3B & 4)**. **WARNING!** Assistance is required to hold the bumper in place during hardware removal to prevent bumper from falling.

3. Remove sensors, (if equipped), from bumper. Next, release the clips holding the license plate lights in place and remove the lights, **(Figure 2)**. Release the clips securing the trailer plug and remove the plug.
4. **Optional LED light installation at ends of bumper** (sold separately).
 - a. Insert light into opening and up to mounting slots. Check for clearance between front and back of light. If necessary, remove the screens from the back of the openings, **(Figure 5)**. **IMPORTANT:** Screens must be removed before Bumper is installed.
 - b. Follow the light manufacturer's instructions to attach each light to slot in the opening.
 - c. Repeat the above steps for remaining light installation.
 - d. Follow light manufacturer's instructions for adjustment and to properly wire the light to the vehicle electrical system after Bumper installation.
5. Reinstall the license plate lights and trailer plug, **(Figure 6)**. **NOTE:** Use a flat blade screwdriver to carefully pry the metal clips on the plug out to grab the edge of the opening.
6. **NOTE:** Sensors, (if equipped), must be installed onto the back of the Bumper before installing the Bumper to the vehicle.

Models without bumper sensors:

- a. Select the included (4) Plastic Plugs.
- b. From the front of the bumper, push the Plastic Plugs into sensor mounting holes, **(Figure 7A)**.

Models with bumper mounted sensors:

- a. Disassemble front bumper to unplug and remove sensors and wiring harness from bumper. Pay attention to mounting location of all sensors for proper reinstallation.
 - b. Select the driver/left outer sensor. Remove the silicone seal from the end of the sensor. Slide the included larger Foam Sensor Seal over front of sensor, **(Figure 7B)**.
 - c. Insert sensor with Seal into driver/left outer sensor mount, **(Figure 7C)**.
 - d. Place Foam Spacer over end of sensor. Push Sensor Retaining Cap onto sensor mount and lock into mounting holes, **(Figure 7C)**.
 - e. Secure each sensor to the socket with (2) 4mm x 10mm Button Head Screws. **IMPORTANT:** Sensors fit snug in sockets. The 4mm Screws are used to apply slight pressure to lock the sensors in place. Tighten both screws evenly until they touch the sensor body only. Do not overtighten screws or damage to sensors will result.
 - f. Repeat previous Steps to install remaining sensors. **NOTE:** Sensor tabs may need to be trimmed to fit sensor inside the sensor sleeve. Attach the adhesive side of (1) Foam Spacer to (1) Retaining Cap. Push the Retaining Cap into the sensor sleeve until it locks into the mounting holes, **(Figure 7C)**.
 - g. Repeat the previous steps to install each sensor to the back of the Bumper.
7. Use a small flat blade screwdriver to pry the star washers off of the bolt plates used to attach the factory bumper to the frame, **(Figure 8)**. **NOTE:** "HD" tow package models use a triple bolt plate, "Standard" and "Max Duty" equipped models use a double bolt plate.
 8. **Determine towing package supplied with vehicle:**

Models with "standard tow package" without HD receiver below bumper and models with "Max Duty" frame mounted receiver hitch below bumper.

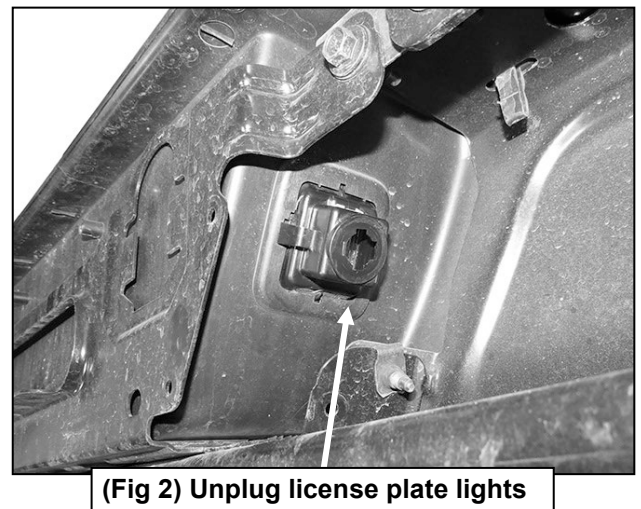
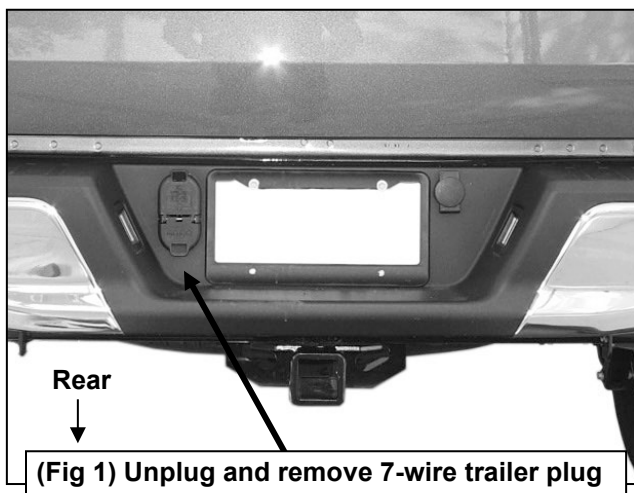
 - a. Insert the factory bolt plate into the passenger/right Mounting Bracket. Thread (1) 14mm Plastic Retainer onto the bolt plate to hold it in position, **(Figure 9)**.
 - b. Select (1) 10mm Double Bolt Plate and (1) 10mm Plastic Retainer. Insert the Double Bolt Plate into and through the back of the mounting tab on the LD1 Bumper, **(Figure 10)**. Thread the Retainer down onto the Bolt Plate to help hold it in position.

- c. Attach the passenger/right Mounting Bracket assembly to the 10mm Double Bolt Plate with (2) 10mm Flat Washers and (2) 10mm Nylon Lock Nuts, **(Figures 11 & 12)**. Snug but do not fully tighten hardware at this time.
- d. Repeat the previous Steps to install the driver side bolt plate and Bracket assembly.
- e. With assistance, hold the LD1 Bumper assembly up to the ends of the frame. Temporarily support the weight of the Bumper. **WARNING:** To avoid possible injury or damage to the vehicle, do not proceed until the bumper is fully and safely supported. Reuse the factory hex nuts to attach the LD1 Bumper Brackets with bolt plates to the frame, **(Figures 13 & 14)**. Snug but do not fully tighten hardware at this time.

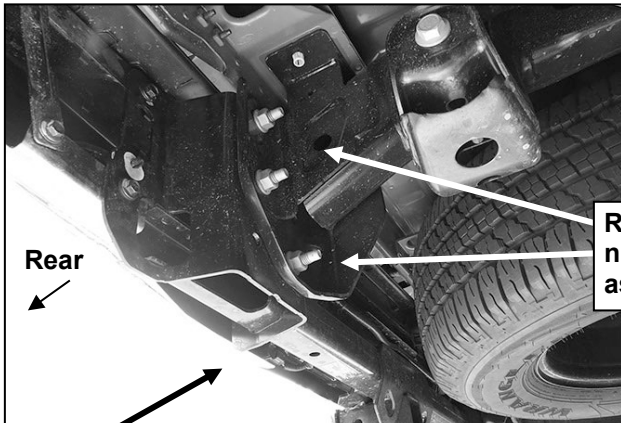
Models with “HD” tow package with integrated receiver hitch into bumper and brackets.

- a. Remove integrated receiver hitch and bracket assembly from back of bumper.
 - b. Use factory hardware to reinstall receiver/bumper bracket assembly to mounts on ends of frame, **(Figure 15)**. Snug but do not fully tighten hardware at this time.
 - c. Select (1) 10mm Double Bolt Plate and (1) 10mm Plastic Retainer. Insert the Double Bolt Plate into and through the back of the mounting tab on the bumper, **(Figure 16)**. Thread the Retainer down onto the Bolt Plate to help hold it in position. Repeat to attach the driver side 10mm Double Bolt Plate.
 - d. With assistance, attach the Bumper assembly to the receiver/bumper bracket assembly with (4) 10mm Flat Washers and (4) 10mm Nylon Lock Nuts, **(Figure 16)**. Temporarily support the weight of the Bumper. **WARNING:** To avoid possible injury or damage to the vehicle, do not proceed until the bumper is fully and safely supported. Snug but do not fully tighten hardware at this time. Skip to **Step 9**.
9. Level and adjust the bumper and fully tighten all hardware.
10. Attach the wiring harness to the sensors, lights and trailer plug. Use the included Wire Ties to secure the wiring harness to the bumper and frame as necessary.
11. Do periodic inspections to the installation to make sure that all hardware is secure and tight.
12. Use the included (2) push-in plugs to attach the license plate to the Bumper, **(Figure 17)**.
13. Do periodic inspections to the installation to make sure that all hardware is secure and tight.

To protect your investment, wax this product after installing. Regular waxing is recommended to add a protective layer over the finish. Do not use any type of polish or wax that may contain abrasives that could damage the finish. Mild soap may be used to clean the Bumper assembly.



Passenger Side Installation Pictured

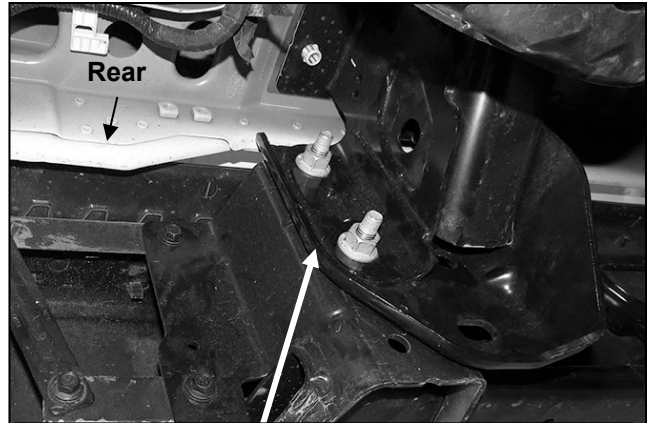


Remove the factory hex nuts attaching bumper assembly to frame

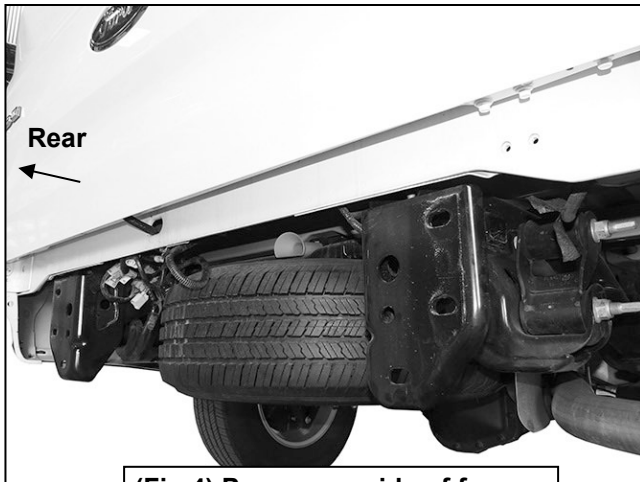
WARNING! Do not crawl under bumper unless the bumper is properly supported on blocks or stands or the bumper may fall.

(Fig 3A) Note bumper with integrated receiver hitch

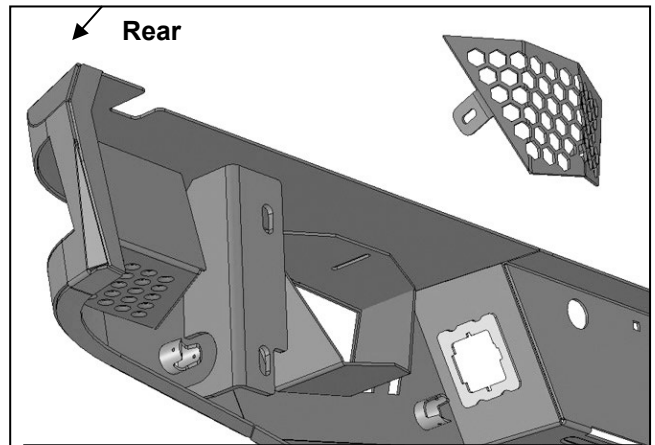
WARNING! Do not remove bumper bolts unless the bumper is properly supported on blocks or stands or the bumper may fall.



(Fig 3B) Remove the factory hex nuts attaching bumper assembly to frame. STD tow package model pictured (no receiver hitch)



(Fig 4) Passenger side of frame

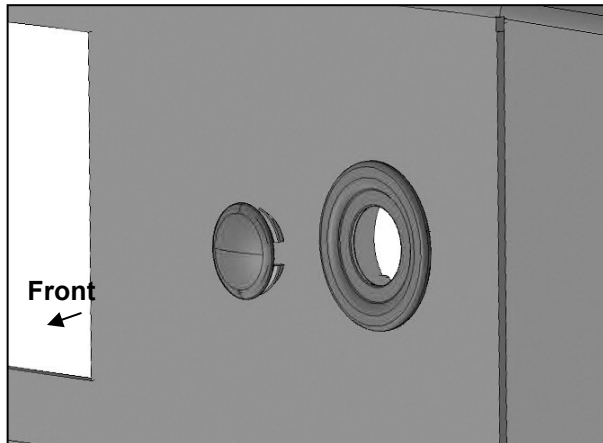


(Fig 5) Remove screens if necessary for additional clearance around or access to lights

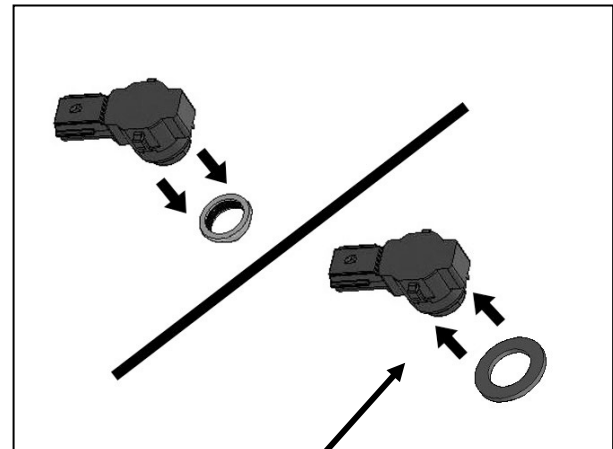


(Fig 6) Use flat blade screwdriver to carefully pry tab to hold light in place

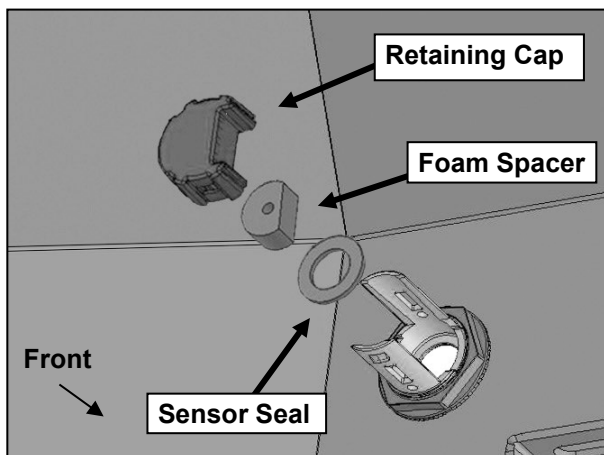
Passenger Side Installation Pictured



(Fig 7A) For models without sensors, push Plastic Plug into sensor mount.

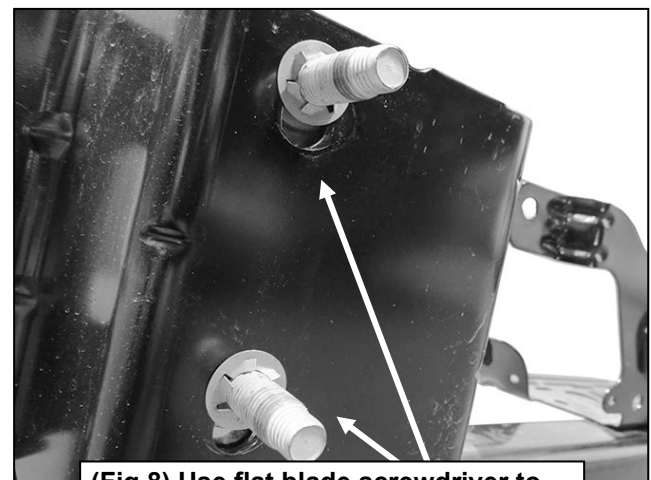


(Fig 7B) Remove silicone seal from sensor. Slide large Seal over end of sensor (arrow)



(Fig 7C) Insert sensor assembly into the sensor mount on back of Bumper. Use 4mm Screws to lock sensor in place.

WARNING! Do not crawl under bumper unless the bumper is properly supported on blocks or stands or the bumper may fall.



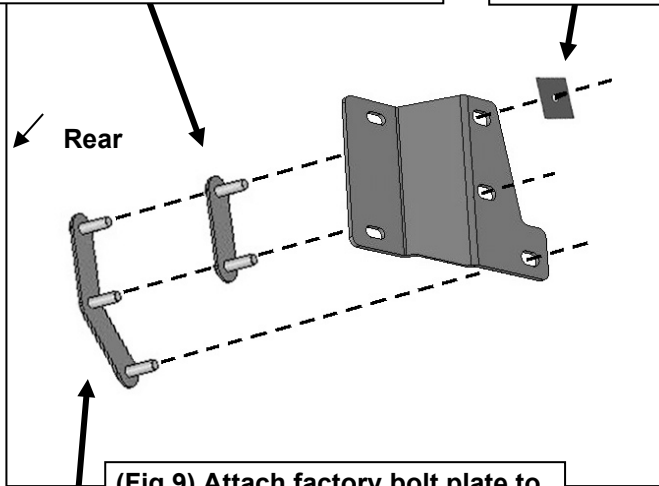
(Fig 8) Use flat blade screwdriver to pry off lock washers from bolt plates

IMPORTANT: Sensors fit snug in sockets. The 4mm Screws are only used to apply slight pressure to lock the sensors in place. Tighten both screws evenly until they touch the sensor body only. Do not overtighten screws or else damage to sensors will result.

Passenger Side Installation Pictured

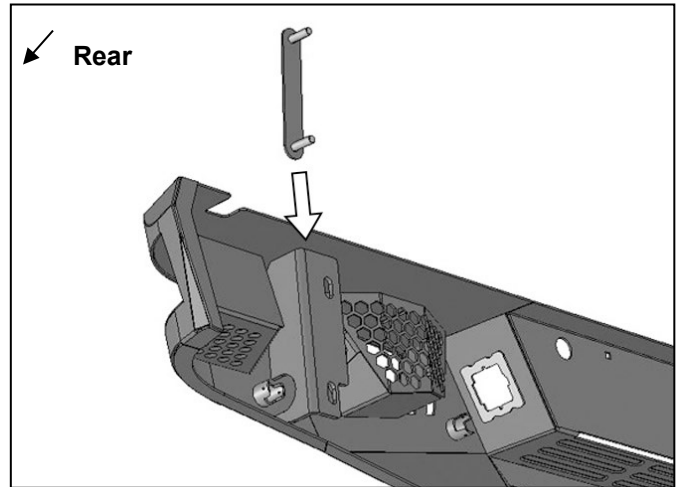
Factory double bolt plate used on models w/o receiver hitch and "max tow" frame mounted receiver hitch

14mm Plastic Retainer



(Fig 9) Attach factory bolt plate to passenger/right Mounting Bracket

Factory triple bolt plate used with "HD tow" package with integrated receiver hitch

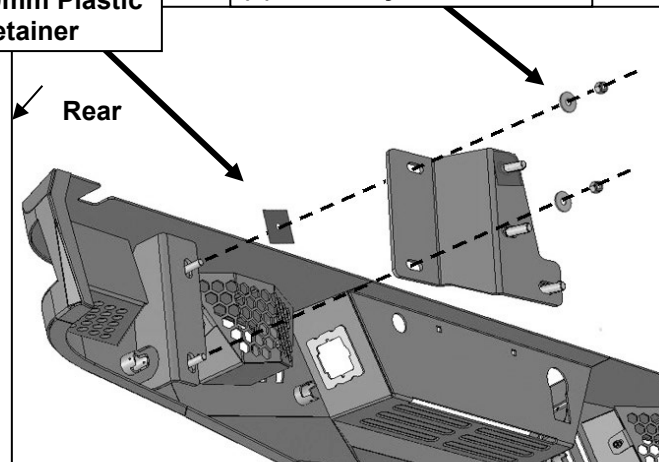


(Fig 10) Insert 10mm Double Bolt Plate into and through back of mounting tab on back of Bumper

WARNING! Do not crawl under bumper unless the bumper is properly supported on blocks or stands or the bumper may fall.

10mm Plastic Retainer

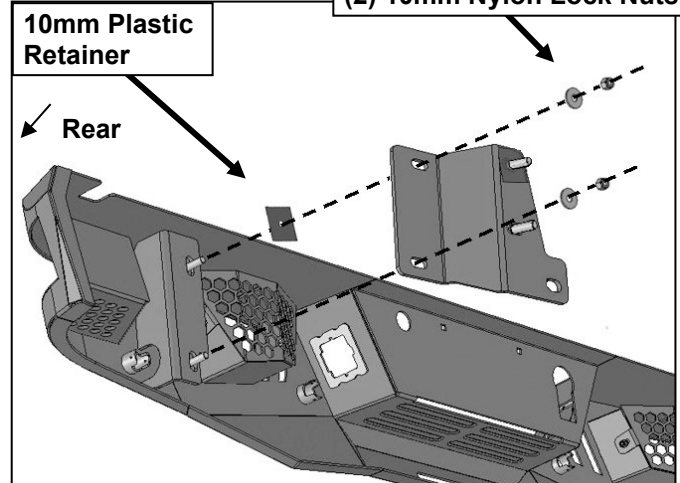
(2) 10mm Flat Washers
(2) 10mm Nylon Lock Nuts



(Fig 11) Use 10mm Plastic Retainer to hold Bolt Plate in position. Note OE triple bolt plate in place

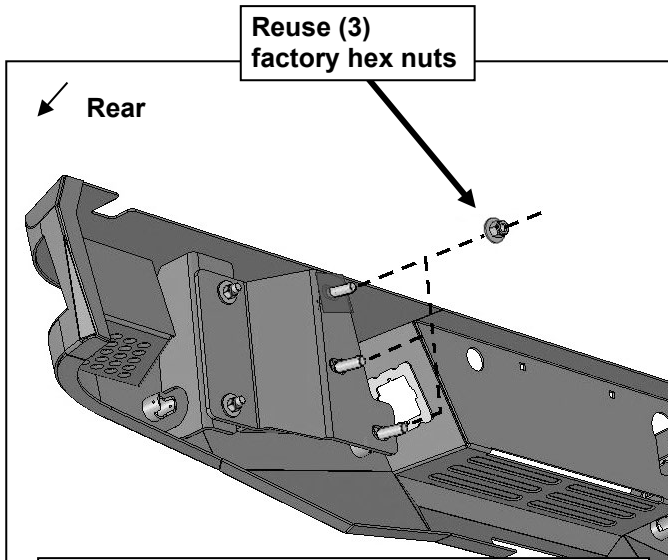
10mm Plastic Retainer

(2) 10mm Flat Washers
(2) 10mm Nylon Lock Nuts

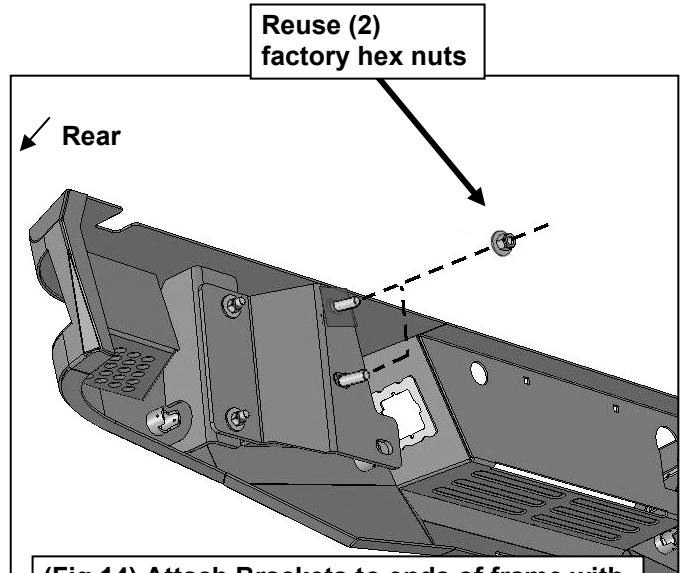


(Fig 12) Use 10mm Plastic Retainer to hold Bolt Plate in position. Note OE double bolt plate in place

Passenger Side Installation Pictured



(Fig 13) Attach Brackets to ends of frame with factory hex nuts (triple bolt plate illustrated)



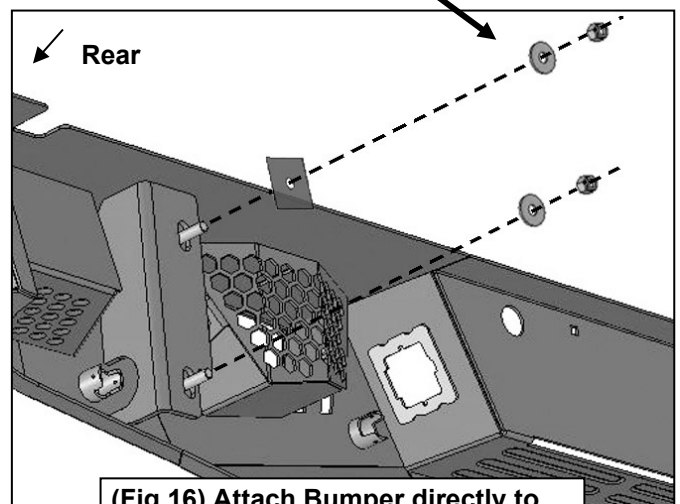
(Fig 14) Attach Brackets to ends of frame with factory hex nuts (double bolt plate illustrated)



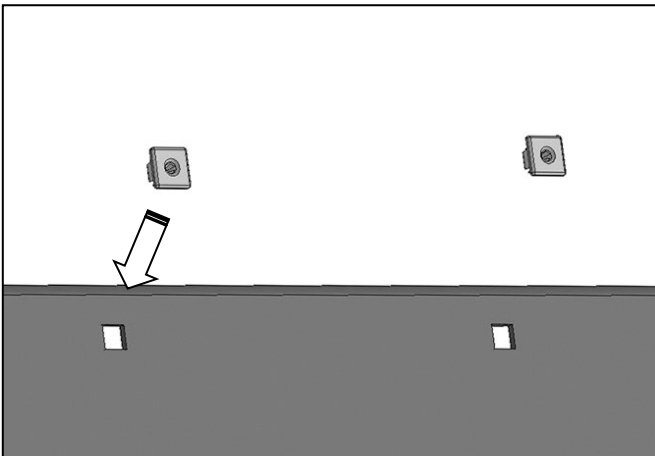
(Fig 15) Reinstall integrated receiver hitch/bracket assembly on models with "HD Towing" package

WARNING! Do not crawl under bumper unless the bumper is properly supported on blocks or stands or the bumper may fall.

- (2) 10mm Flat Washers
- (2) 10mm Nylon Lock Nuts



(Fig 16) Attach Bumper directly to integrated hitch bracket (see Fig 13)



(Fig 17) Push plastic plugs into holes for license plate

