



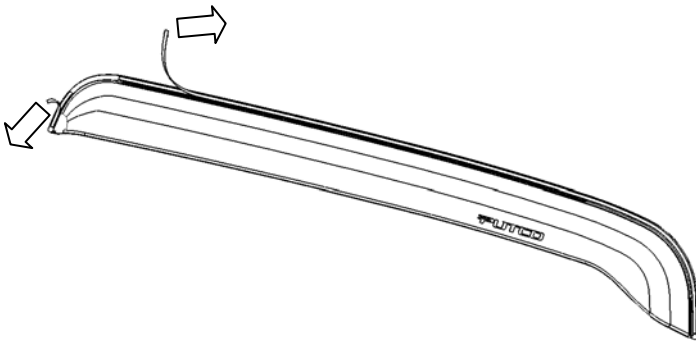
Driver Side - Rear

A

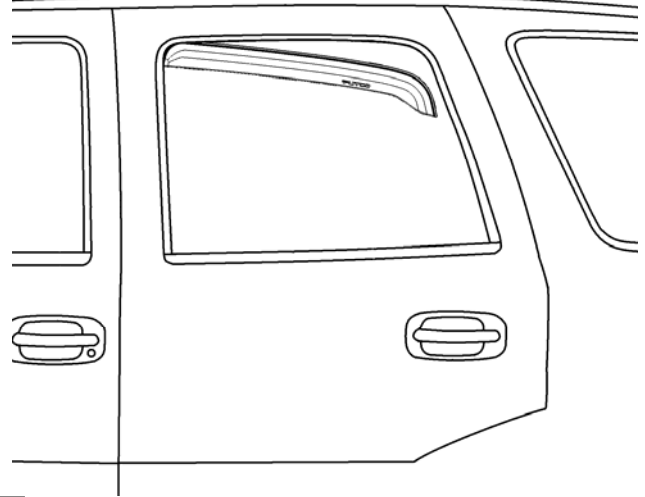


Passenger Side - Rear

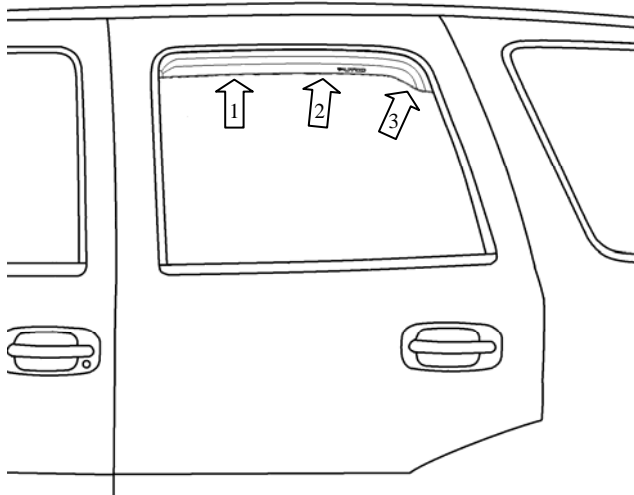
B



1



2



3

4