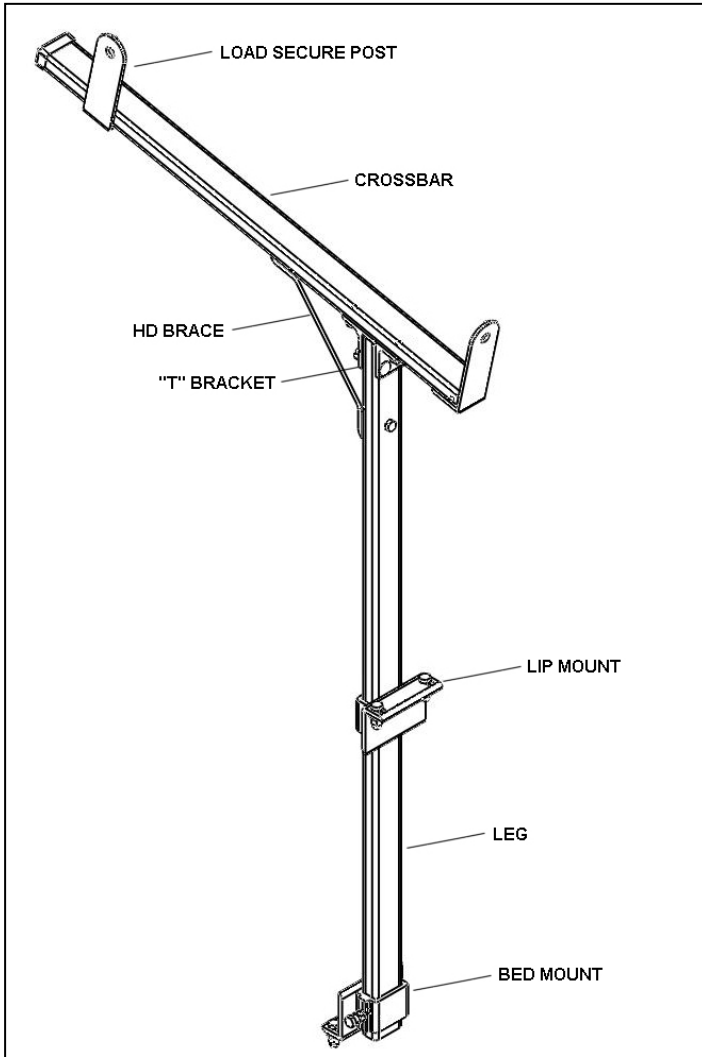




ALUMINUM REMOVABLE TRUCK SIDE LADDER RACK INSTRUCTIONS

P/N TLRSA-1



Package Contents:

HARDWARE KIT

- (28) 3/8"-16 NUTS
- (28) 3/8" SPLIT LOCK WASHERS
- (8) 3/8"-16 x 1-1/4" HEX BOLTS
- (8) 1" x 3/8" HEX LAG BOLTS
- (8) 3/8"-16 x 1" HEX BOLTS
- (6) 3/8"-16 x 1-1/2" HEX BOLTS
- (2) 3/8"-16 x 2" HEX BOLTS
- (4) 3/8"-16 x 2" CARRIAGE BOLTS
- (2) RECTANGLE END CAPS

PARTS

- (2) LEGS
- (2) CROSSBARS
- (2) "T" BRACKETS
- (2) LIP MOUNTS
- (2) BED MOUNTS
- (2) HD BRACES
- (4) LOAD SECURE POSTS

Before you begin:

Remove all components from the shipping carton.

The rack should be assembled on a padded surface such as carpet to prevent scratching of aluminum surfaces. Remove bands securing components together.

Read the instructions thoroughly to familiarize yourself with the assembly sequence.

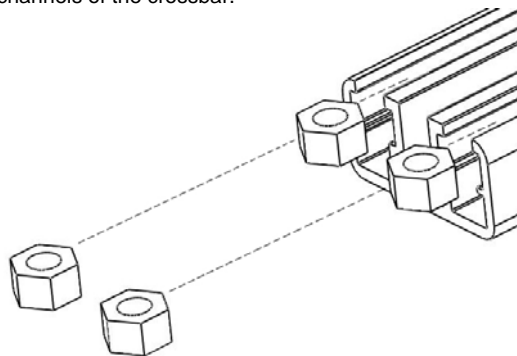
Note that you DO NOT tighten any nuts and bolts until the completed rack is installed on the vehicle unless specified. This allows for minor adjustments to the rack during the installation process.

Gather the following tools used to assemble and install the rack.

- 9/16" Socket or open end wrench
- 3/8" Drill bit and drill
- Pencil or marker
- Tape measure
- Center punch and hammer (optional)
- Level (optional)

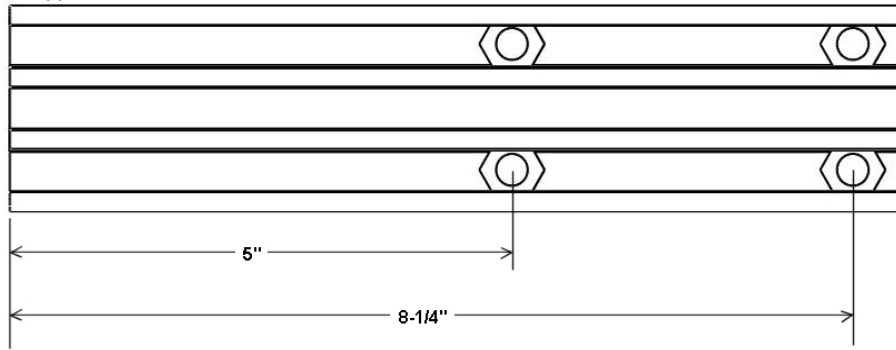
1. "T" bracket assembly.

Insert (2) 3/8"-16 nuts into each of the outer channels of the crossbar.

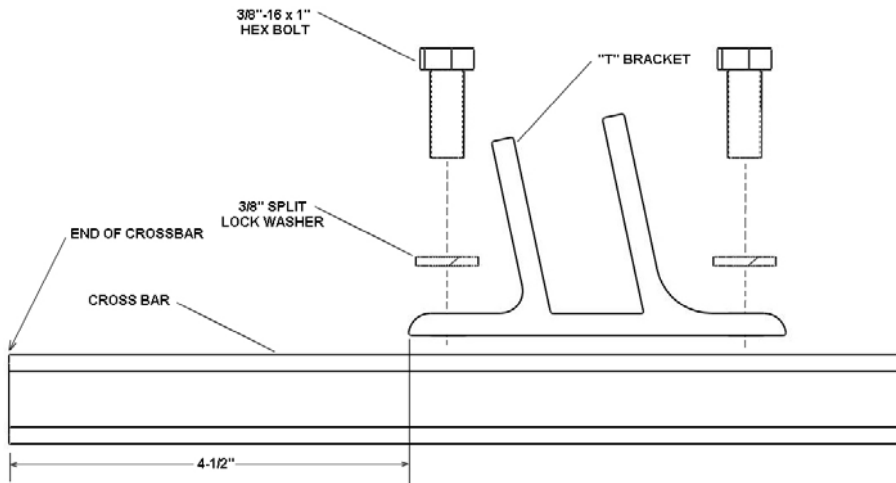


1. "T" bracket assembly continued.

Slide the 3/8"-16 nuts in approximated 8-1/4" and 5" from the end of the crossbar.

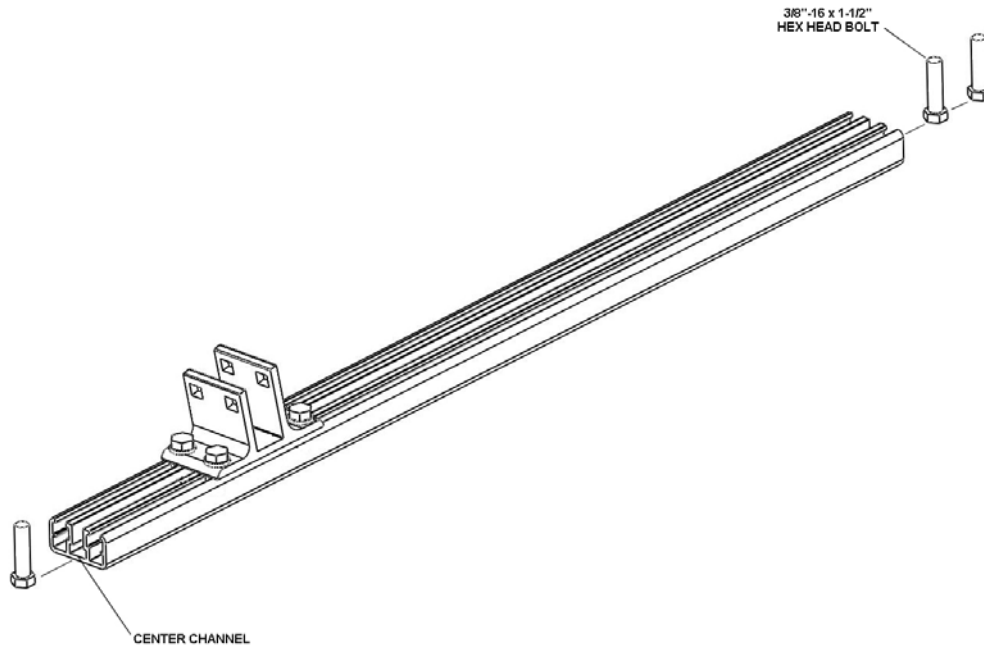


Orientate the "T" bracket as shown below; note which way the angles point. Position the "T" bracket over the nuts and install using (4) 3/8"-16 x 1" hex bolts and (4) 3/8" split lock washers. Adjust the "T" bracket so that the edge is 4.5" from the end of the crossbar. Tighten the all bolts.



2. Load secure post assembly.

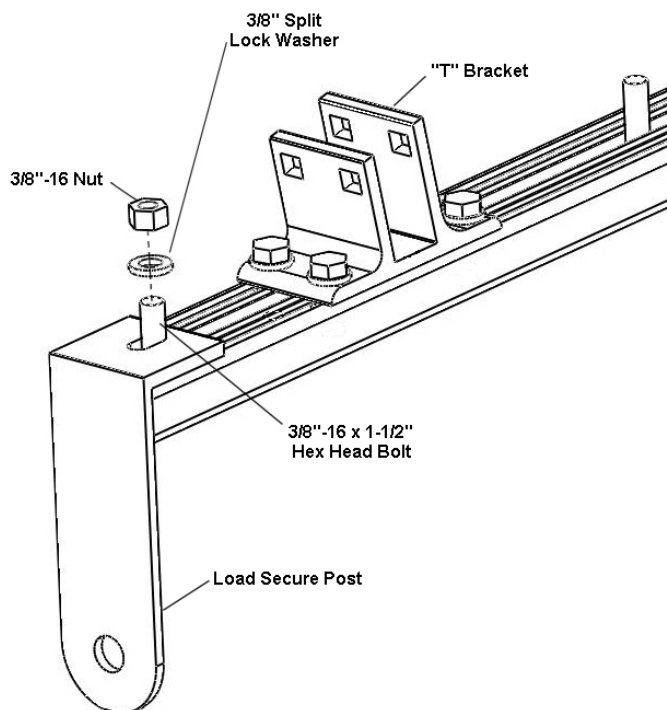
Slide (1) 3/8"-16 x 1-1/2" hex head bolt into the center channel of the cross bar on the end closest to the "T" bracket and (2) 3/8"-16 x 1-1/2" hex head bolts into the center channel of the cross bar on the end furthest from the "T" bracket.



2. Load secure post assembly continued.

Place the fixed load secure post on the crossbar as shown.

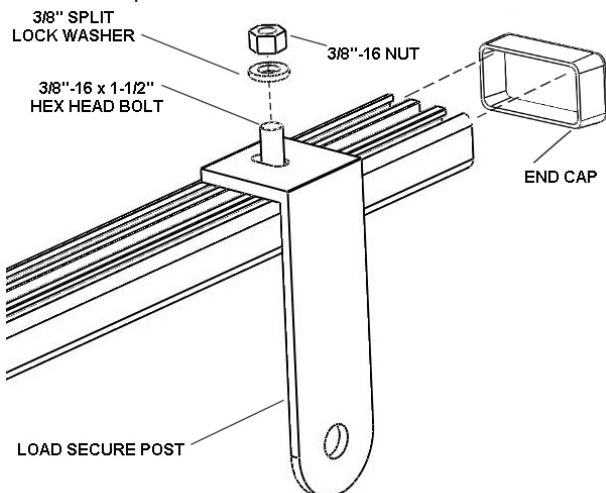
Secure by tightening using a 3/8"-16 nut and 3/8" split lock washer onto the 3/8"-16 x 1-1/2" hex bolt in the center channel of the crossbar.



Place the adjustable load secure post onto the furthest out 3/8"-16 x 1-1/2" hex bolt in the center channel of the crossbar as shown.

Secure by tightening using a 3/8"-16 nut and 3/8" split lock washer onto the 3/8"-16 x 1-1/2" hex bolt.

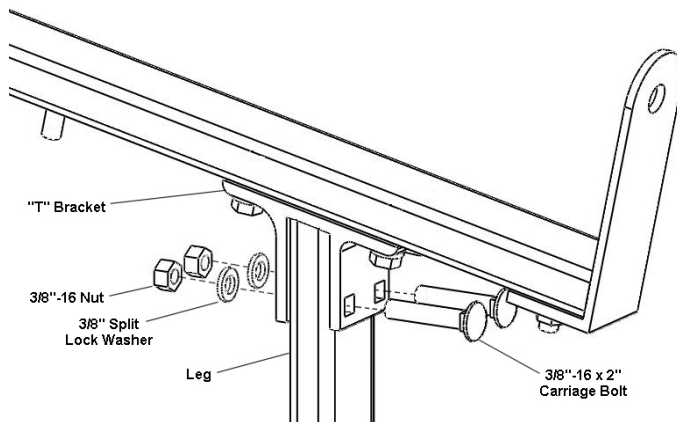
Install end cap on cross bar.



3. Leg placement.

Slide the leg into the "T" bracket as shown.

Join the leg to the "T" bracket by installing (2) 3/8"-16 x 2" carriage bolts, (2) 3/8" split lock washers and (2) 3/8"-16 nuts. Leave the bolts loose.

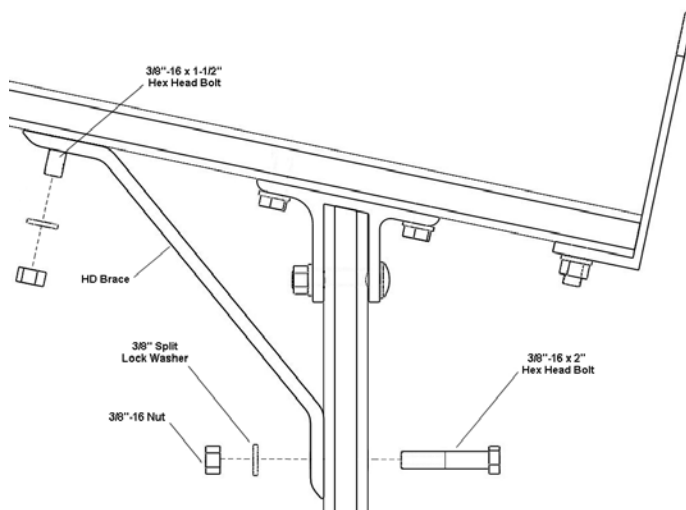


4. HD brace placement.

Place the HD brace on the 3/8"-16 x 1-1/2" bolt in the cross bar. Loosely secure with a 3/8"-16 nut and a 3/8" split lock washer.

Slide the HD brace towards the leg. Insert the 3/8"-16 x 2" hex head bolt through the leg and HD brace.

Secure with a 3/8"-16 nut and a 3/8" split lock washer.



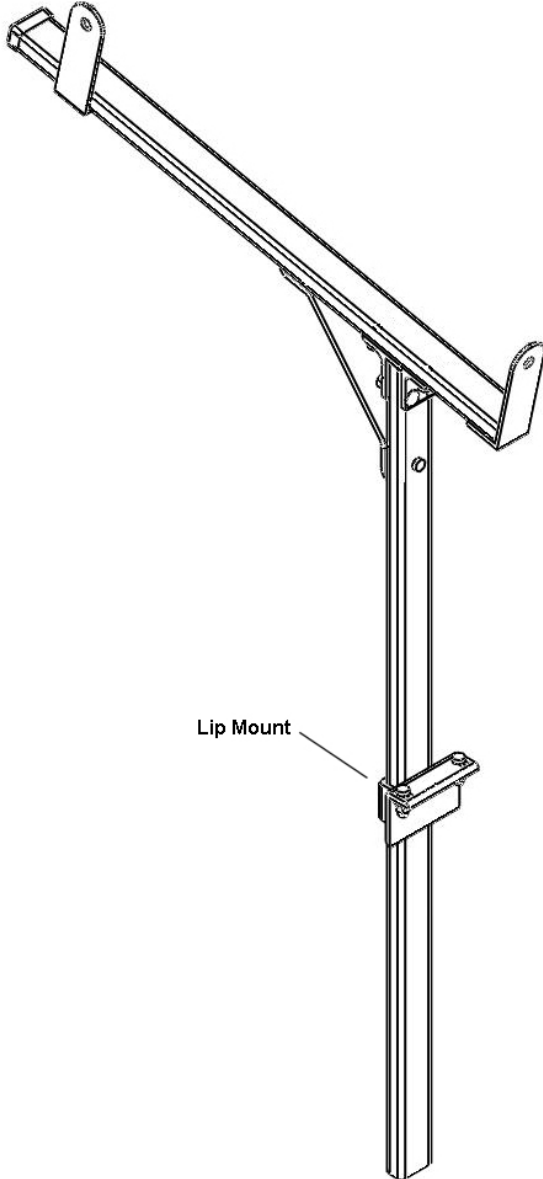
Tightening the 3/8"-16 x 2" hex head bolt first and then the nut on 3/8"-16 x 1-1/2" hex head bolt in the crossbar.

Tighten the (2) 3/8"-16 x 2" carriage bolt nuts on the "T" bracket.

5. Lip mount.

Loosen the bolts on the lip mounts and slide one on each leg.
Orientate the lip mount so the lip faces outward.

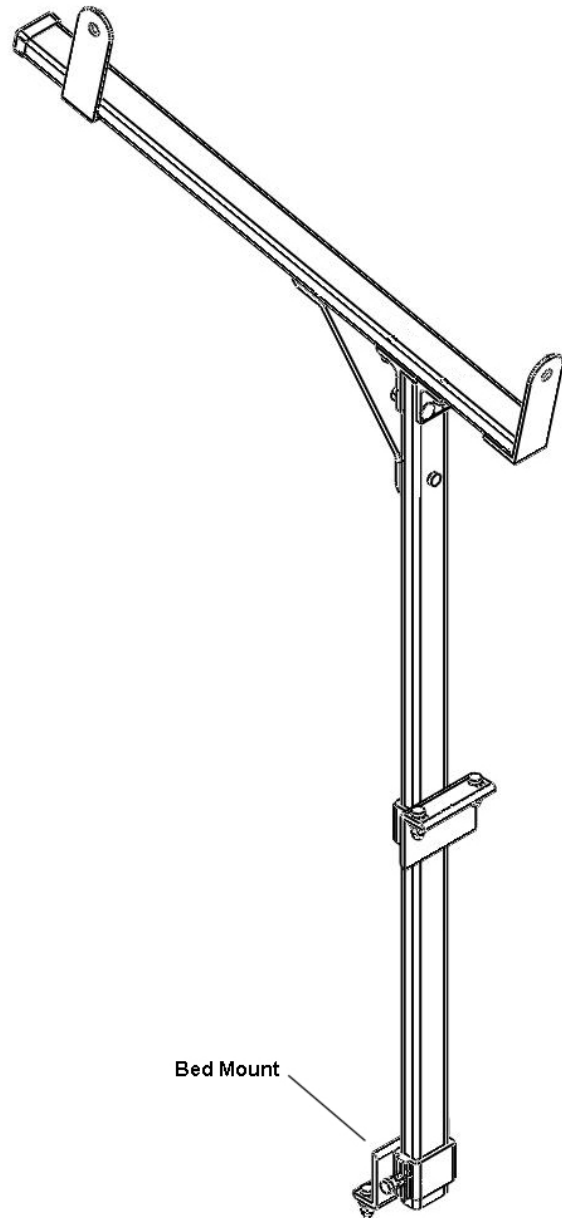
Finger tighten the 3/8"-16 x 1-1/4" hex head bolt on the located
on the side of each mount.



6. Bed mount.

Loosen the bolts on the bed mount and slide one on each leg.
Orientate the mount so that the lip faces inward.

Finger tighten the 3/8"-16 x 1-1/4" hex head bolt on the located
on the side of each mount.



7. Mounting to truck bed

Place the ladder rack assemblies on the truck in the desired positions.

Adjust the lip mount so that it rests on the lip of the truck bed. Make sure the legs are straight up and down. For best results, use a level to check plumb.

Using the lip mount and bed mount as templates, mark holes to be drilled.

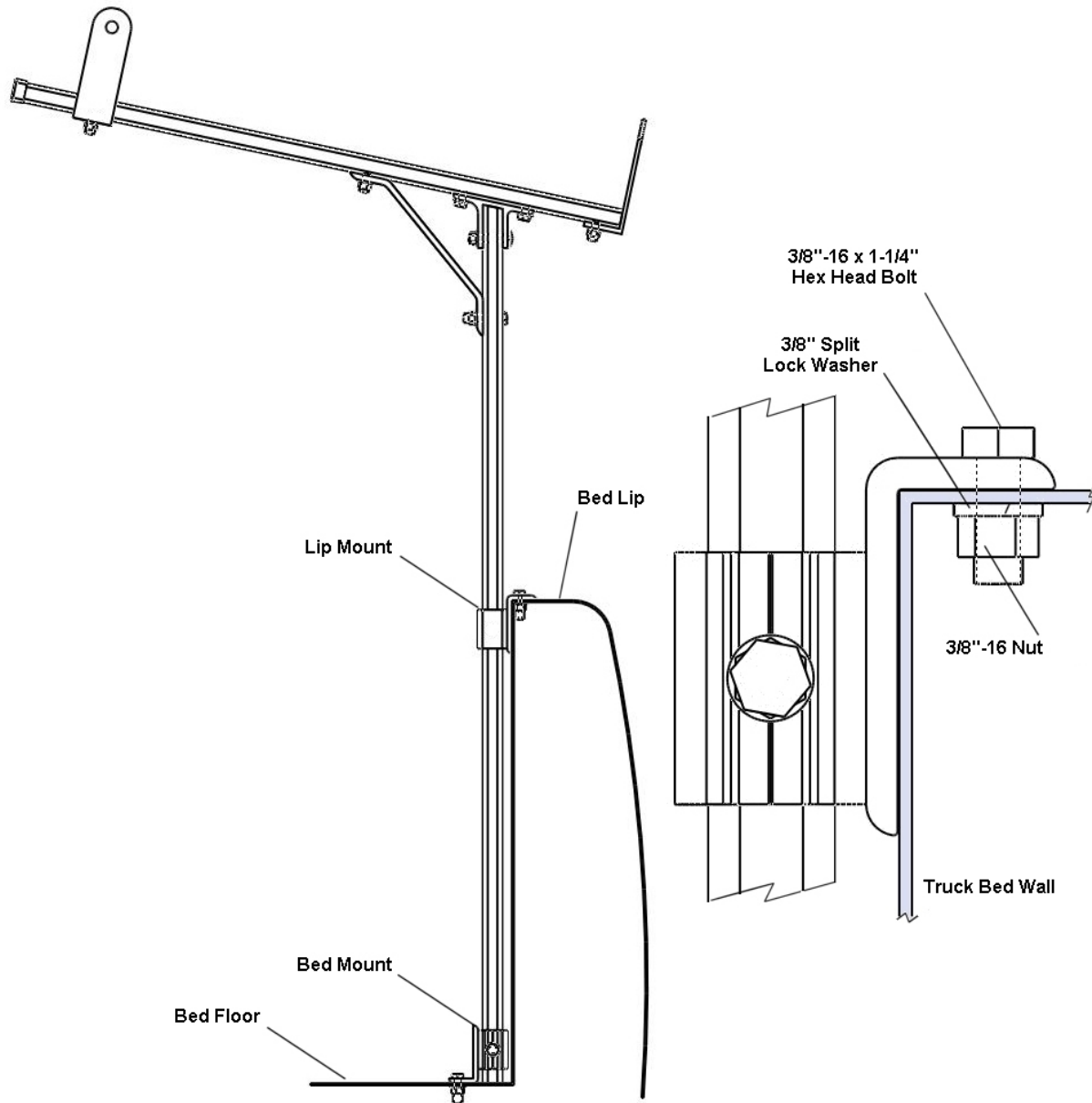
Check for access underneath marked holes for clearance needed to install washers and nuts. Adjust position if needed. If access is not available, use the 3/8" x 1" lag bolts. If using the lag bolts, install by drilling 1/4" diameter holes.

Use a drill and make (2) 3/8" diameter holes in the lip of the truck bed and (2) holes in the floor of bed at the marked locations.

Mount the lip mount to the lip of the truck bed using 3/8"-16 x 1-1/4" hex bolts, 3/8" split lock washers and 3/8"-16 nuts.

Mount the bed mount to the bed floor using 3/8"-16 x 1-1/4" hex bolts, 3/8" split lock washers and 3/8"-16 nuts.

Check straightness and then tighten all mounting hardware. Position the adjustable load secure post as needed.



Customer Limited Warranty and Standard Return Policy

Hauler Racks, Inc. offers to preferred customers a special limited warranty. It is our goal to provide effective service for any warranty or standard return. This statement of warranty and return policy is divided into two sections: Warranty Returns of Defective Product and Standard Returns of Unused Product.

Warranty Returns of Defective Product

Hauler Racks, Inc. will repair or replace, at its option and without charge, any properly installed Hauler component that fails due to defect in material or workmanship up to 30 days from the initial registered consumer purchase. All of our aluminum product line is guaranteed not to rust or corrode for 1 year. Proof of Purchase must be provided for warranty to be honored.

Loads should never exceed 1/3 of your vehicle's manufacturer's total load capacity. Loads should never extend more than 1 foot on either end of rack. This warranty is void if any damage to the product is due to misuse, abuse, neglect, accident, improper installation, or any uses contrary to the instructions accompanying the product. The warranty is also void if racks are altered in any manner. The racks have been load tested for the racks capacity to hold loads when not on a vehicle. Hauler Racks, Inc. does not warranty load capacities. As the factory has no way of knowing if the product was properly assembled, installed, used according to instructions, or if loads were secured properly.

This warranty covers the cost of the defective component and not the cost of removal, installation or other incidental charges unless other arrangements have been made with Hauler Racks.

This warranty gives you specific legal rights and you may have other rights which vary from state to state.

All warranty claims must receive a Return Authorization number from Hauler Racks, Inc. BEFORE the product is returned to the Company. Please follow this procedure:

1. Call Hauler at 800-843-5445 to request a Return Authorization number. You will need to provide the following information
 - Specific nature of the defect
 - Product installation date
 - Product part number
 - Original sales invoice number
2. When a replacement or repair strategy is determined, a Return Authorization number will be assigned to the claim.
3. A replacement invoice and shipping document will be generated at Hauler Racks to initiate any replacement product. Replacement product will be sent according to standard shipping cycles.
4. The purchaser is responsible for packing and return shipping of the product. The RETURN AUTHORIZATION NUMBER MUST BE CLEARLY MARKED ON THE OUTSIDE OF THE PACKAGE. Unmarked packages will be refused. Any product damage that occurs during the shipping is not covered under warranty. The purchaser must pursue claims for shipping damage with the shipping center.
5. The purchaser is responsible for payment of both the original product invoice and the replacement invoice according to established credit terms.
6. Upon receipt of the returned product, Hauler Racks will review the claim for warranty conformance. If the claim meets warranty criteria, a credit for the original invoice amount will be posted to the purchaser's account and a credit memo will be mailed. If the claim does not meet warranty criteria, the purchaser will receive a statement detailing reasons for partial credit or denial. At the purchaser's option, denied product may be returned to the purchaser.

Standard Returns of Unused Product

Unused product may be eligible for return to Hauler Racks, Inc. Follow the procedure described in the section on Warranty Returns to receive an Authorization Number.

Returned product which is less than 6 (six) months old is subject to a 20% restocking fee.

Returned product which is more than 6 (six) months old may not be eligible for return or may incur additional restocking charges.

HMIS04
TRLSAA-IS
Revised 3-13-13